



US00D362903S

United States Patent [19]

[11] **Patent Number:** **Des. 362,903**

Carmichael

[45] **Date of Patent:** ****Oct. 3, 1995**

[54] **PORTABLE WASHING BASIN**

4,587,680 5/1986 Brügger 4/619 X

[76] Inventor: **Jacqueline Carmichael**, 3 I Cameron Ct., Baltimore, Md. 21236

Primary Examiner—Stella Reid
Assistant Examiner—Eric Watterson
Attorney, Agent, or Firm—Walter G. Finch; Nancy A. Smith

[**] Term: **14 Years**

[57] **CLAIM**

[21] Appl. No.: **32,469**

The ornamental design for a portable washing basin, as shown and described.

[22] Filed: **Dec. 19, 1994**

[52] U.S. Cl. **D23/284**

DESCRIPTION

[58] **Field of Search** D23/284, 287; 4/580, 619, 630-636, 641, 650-660, DIG. 18

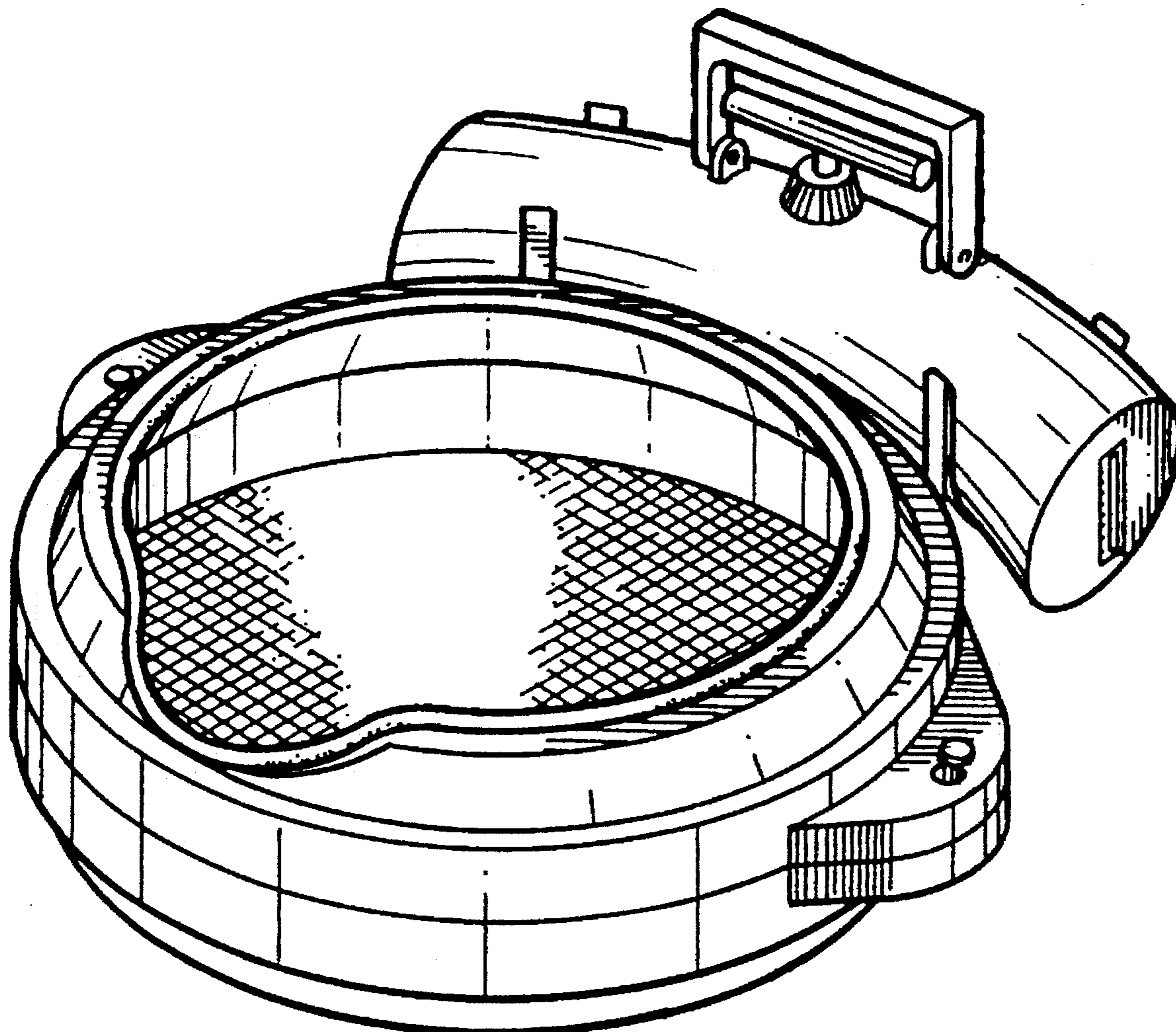
FIG. 1 is a top front right side perspective of a portable washing basin showing my new design, the left side being a mirror thereof; and, FIG. 2 is a bottom rear left side perspective thereof, the right side being a mirror thereof. The broken line showing is for illustrative purposes only and forms no part of the claimed design.

[56] **References Cited**

U.S. PATENT DOCUMENTS

| | | | | |
|------------|---------|-----------------|-------|---------|
| D. 223,667 | 5/1972 | DiPierro et al. | | D23/284 |
| D. 224,222 | 7/1972 | Collins | | D23/284 |
| D. 237,617 | 11/1975 | McIntosh | | D23/284 |
| 4,574,407 | 3/1986 | Didia | | 4/619 X |

1 Claim, 1 Drawing Sheet



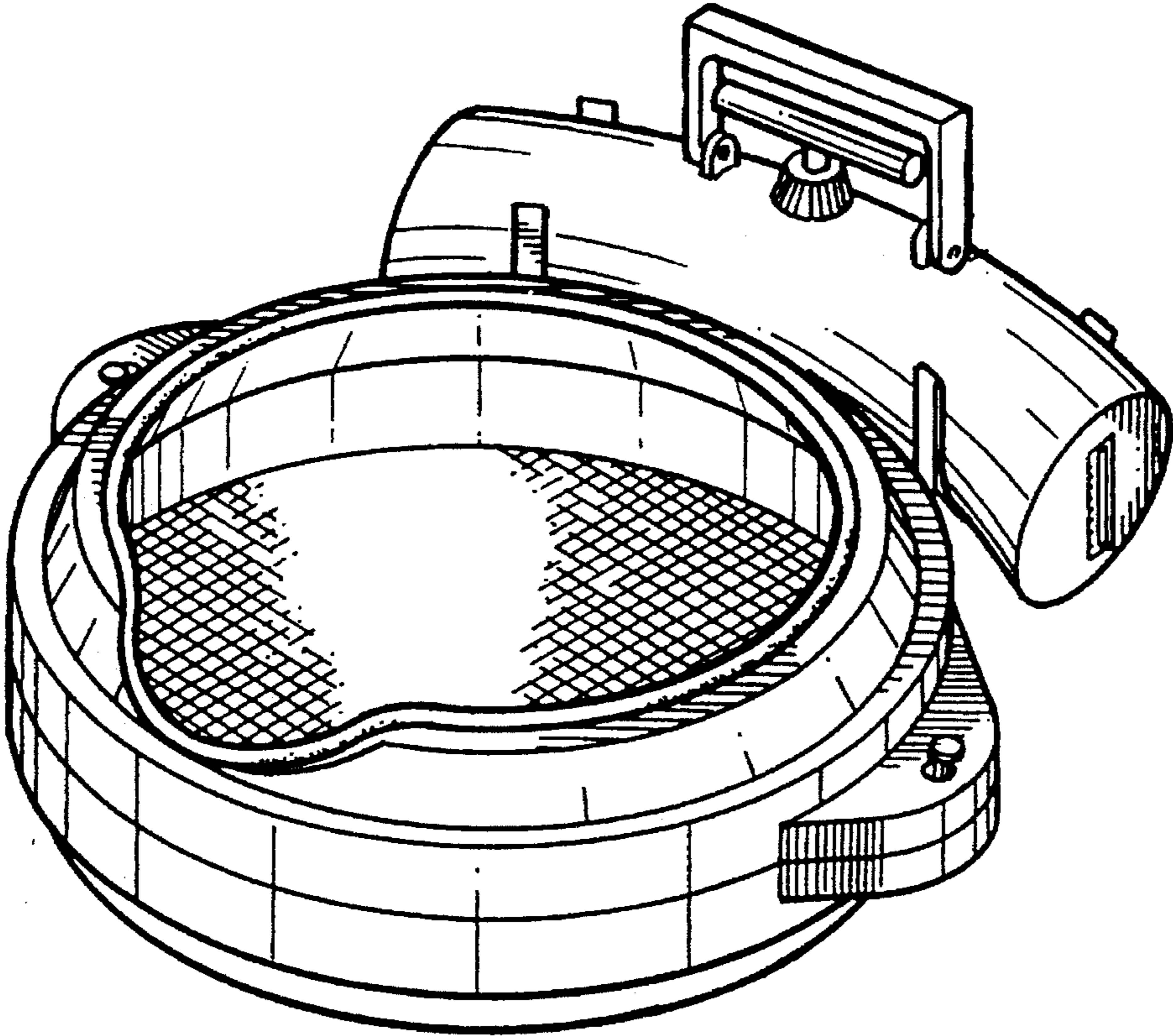


FIG. 1

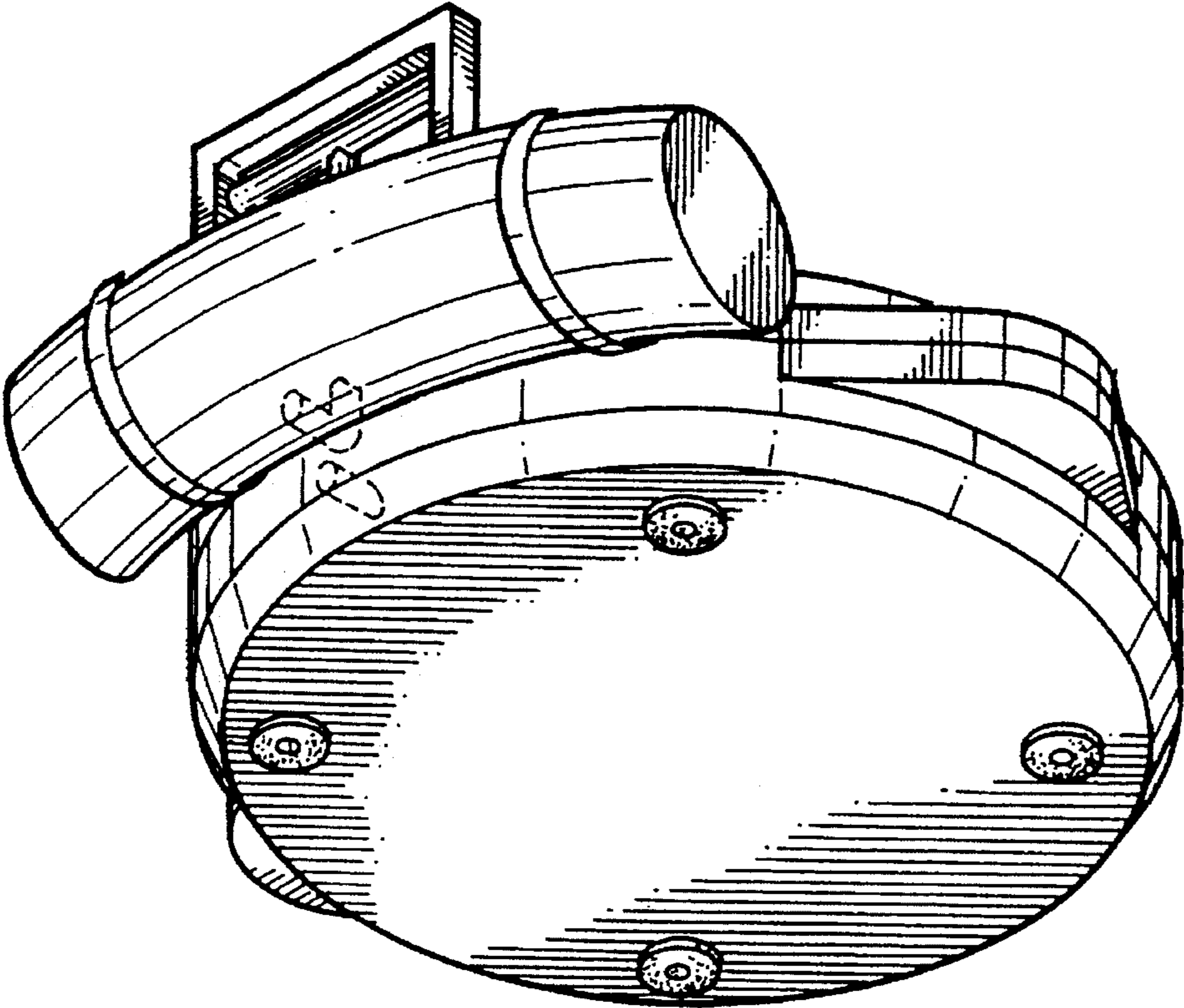


FIG. 2