



US00D362902S

United States Patent [19]

[11] Patent Number: **Des. 362,902**

Reiber

[45] Date of Patent: ****Oct. 3, 1995**

[54] **GASKET**

D. 342,567 12/1993 Boen D23/269
4,818,209 4/1989 Petersson et al. 285/231 X

[75] Inventor: **Harold S. Reiber**, Seattle, Wash.

[73] Assignee: **HDR Engineering, Inc.**, Bellevue, Wash.

Primary Examiner—Stella Reid
Assistant Examiner—E. Watterson
Attorney, Agent, or Firm—Graybeal Jackson Haley & Johnson

[**] Term: **14 Years**

[21] Appl. No.: **13,460**

[57] **CLAIM**

[22] Filed: **Sep. 24, 1993**

The ornamental design for a gasket, as shown and described.

[52] U.S. Cl. **D23/269**

DESCRIPTION

[58] Field of Search D23/259, 269;
277/165, 207 A, 227, DIG. 23; 285/231;
D24/143; 128/844, 918

FIG. 1 is a perspective view of a gasket showing my design;
FIG. 2 is a side view thereof; and,
FIG. 3 is a top view thereof, the bottom view thereof being identical.

[56] **References Cited**

U.S. PATENT DOCUMENTS

D. 330,073 10/1992 Valls D23/269

1 Claim, 1 Drawing Sheet

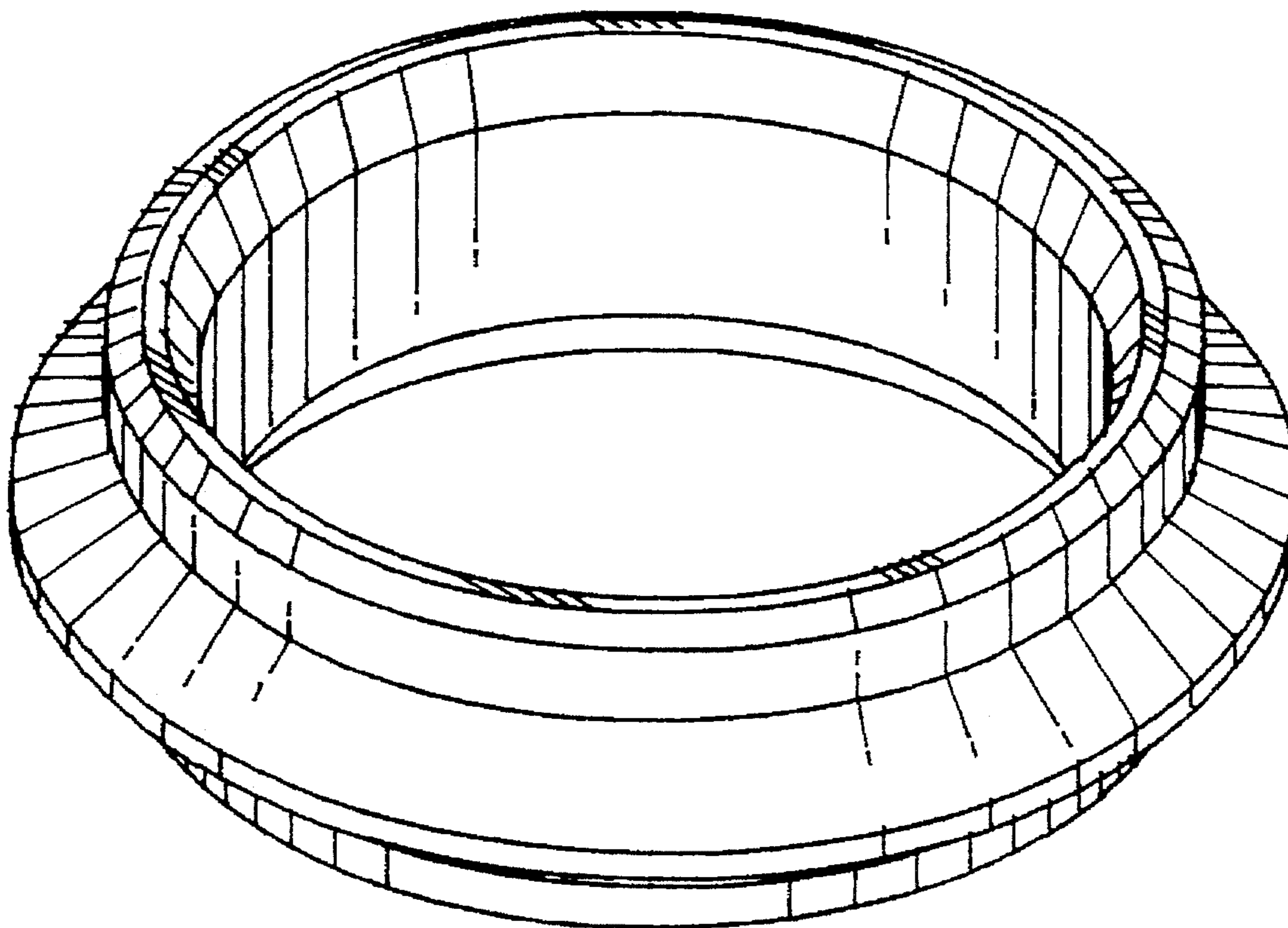


FIG. 1

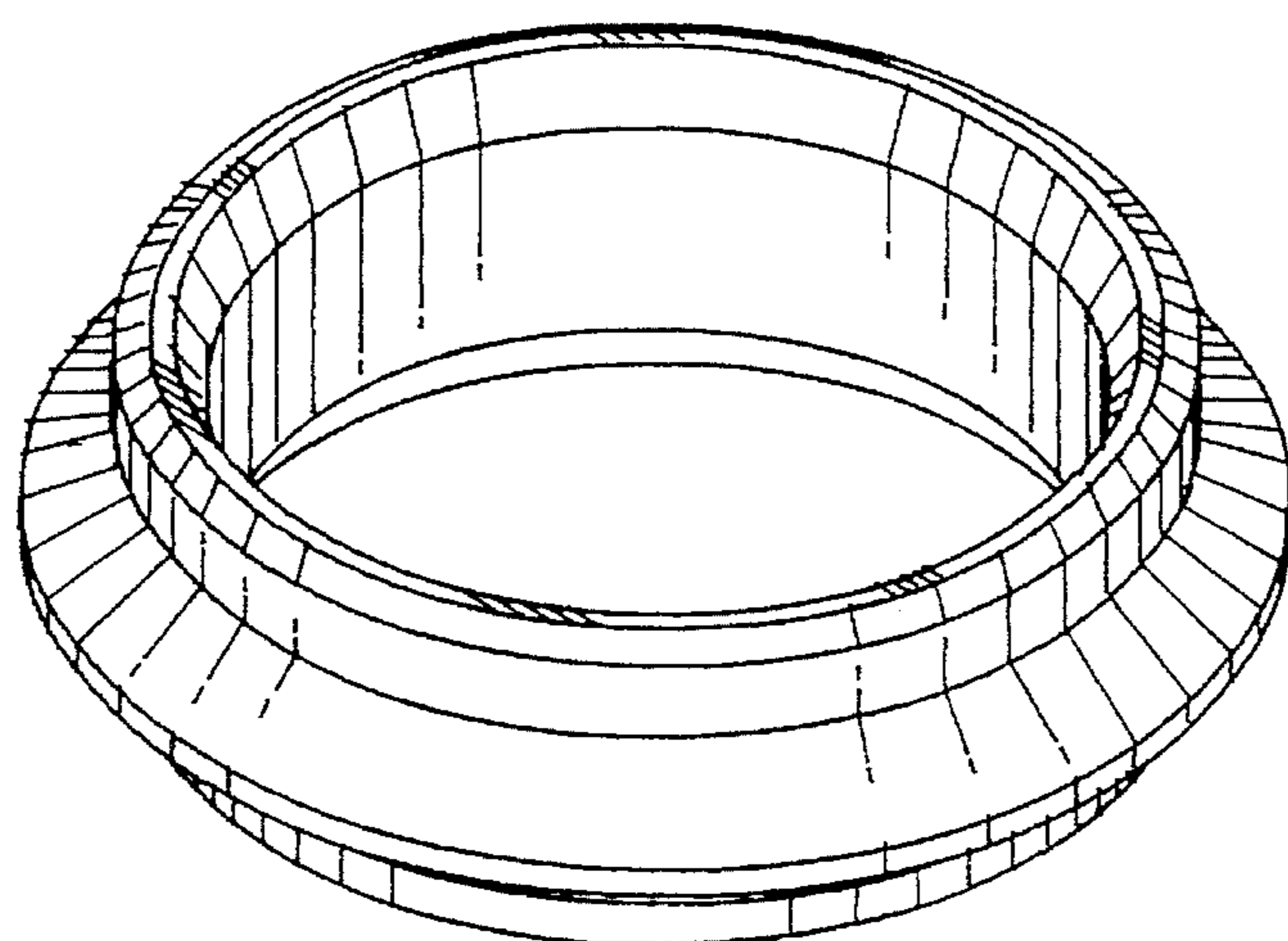


FIG. 2

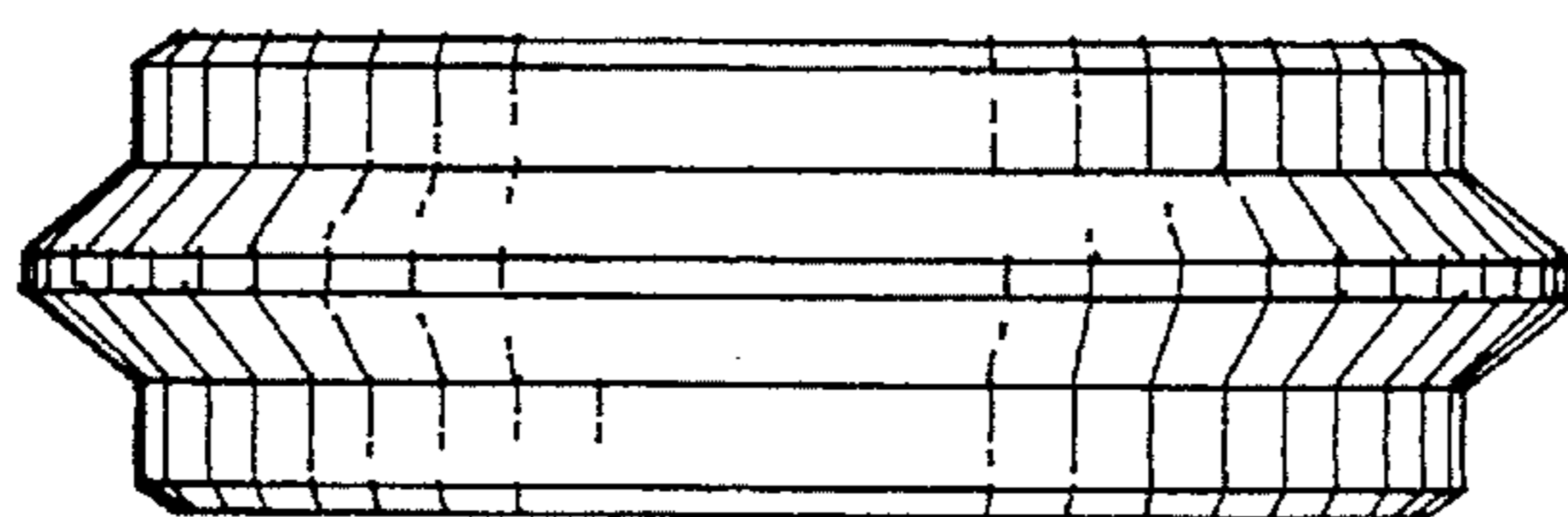


FIG. 3

