



US00D362901S

United States Patent [19]

[11] Patent Number: **Des. 362,901**

Dannenberg et al.

[45] Date of Patent: ****Oct. 3, 1995**

[54] SINK

[75] Inventors: **Todd D. Dannenberg; Jill E. Roach,**
both of Sheboygan, Wis.

[73] Assignee: **Kohler Co.,** Kohler, Wis.

[**] Term: **14 Years**

[21] Appl. No.: **17,674**

[22] Filed: **Jan. 19, 1994**

[52] U.S. Cl. **D23/290**

[58] Field of Search D23/284, 285,
D23/287, 288, 289, 290, 292, 293.1; 4/619,
624, 625, 629, 638-642, 646, 650

[56] References Cited

U.S. PATENT DOCUMENTS

D. 198,305	6/1964	Gramling, Jr.	D4/2
D. 296,003	5/1988	Garza	D23/290
D. 322,845	12/1991	Göcke et al.	D23/287
D. 324,909	3/1992	Sauter et al.	D23/290
2,889,559	6/1959	Lyon, Jr.	4/629

OTHER PUBLICATIONS

Undated Eljer ad showing a Model 212-3086 kitchen sink, admitted prior art.

An undated ad of an unknown company showing an Arcora sink, admitted prior art.

Primary Examiner—Lou Zarfaz
Assistant Examiner—E. Watterson
Attorney, Agent, or Firm—Quarles & Brady

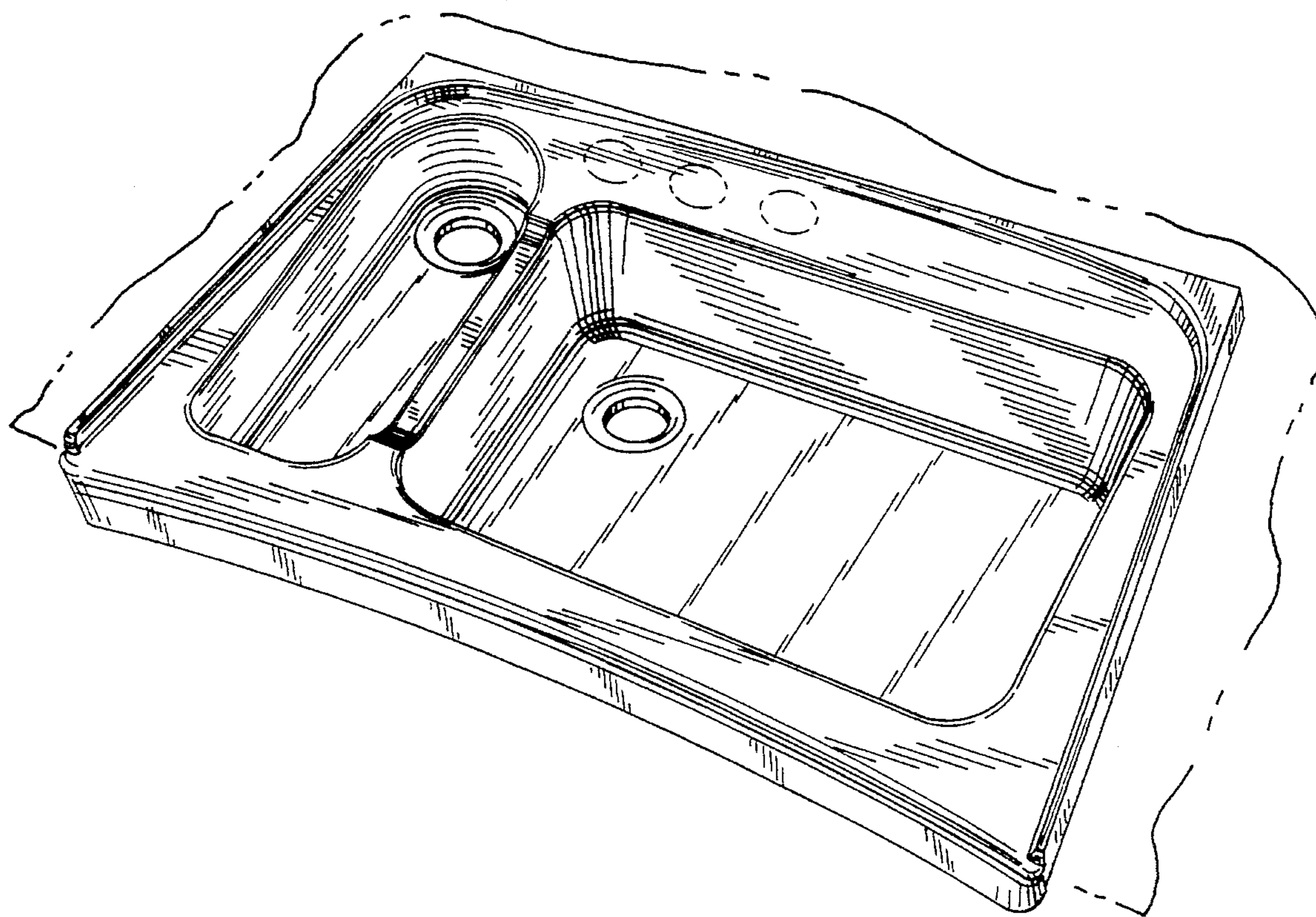
[57] CLAIM

The ornamental design for a sink, as shown and described.

DESCRIPTION

FIG. 1 is a perspective view taken from the top, front and right side of a sink embodying our new design;
 FIG. 2 is a top plan view thereof;
 FIG. 3 is a front elevational view thereof;
 FIG. 4 is a right side elevational view thereof;
 FIG. 5 is a left side elevational view thereof;
 FIG. 6 is a rear elevational view thereof;
 FIG. 7 is a bottom plan view thereof;
 FIG. 8 is a cross-sectional view taken on line 8—8 of FIG. 2;
 FIG. 9 is a cross-sectional view taken on line 9—9 of FIG. 2;
 FIG. 10 is a cross-sectional view taken on line 10—10 of FIG. 2;
 FIG. 11 is an enlarged view of an upper right hand portion of FIG. 9; and,
 FIG. 12 is a top plan view of a second embodiment of our new design, which is the mirror image of the embodiment of FIG. 1.

1 Claim, 7 Drawing Sheets



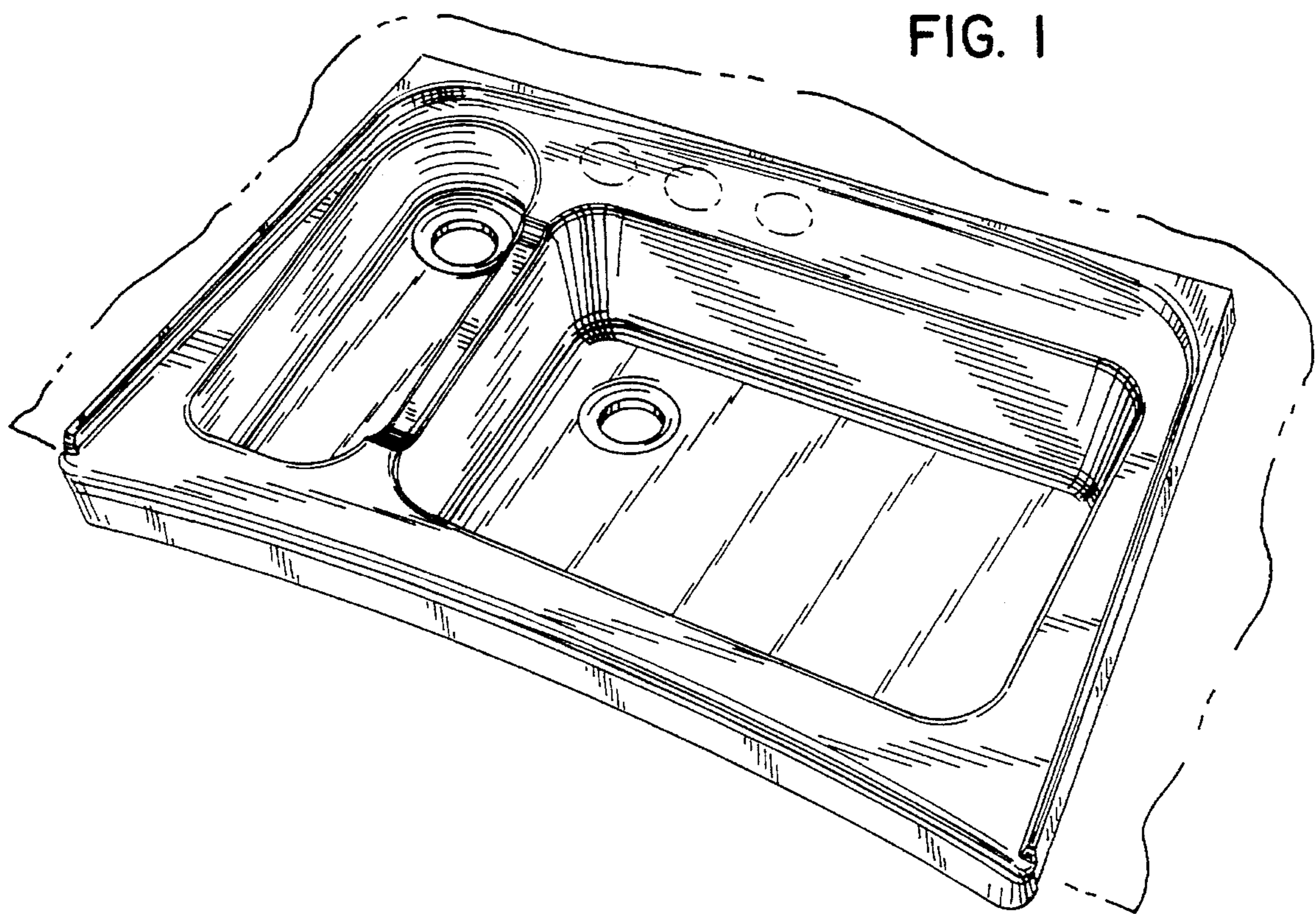


FIG. 1

FIG. 2

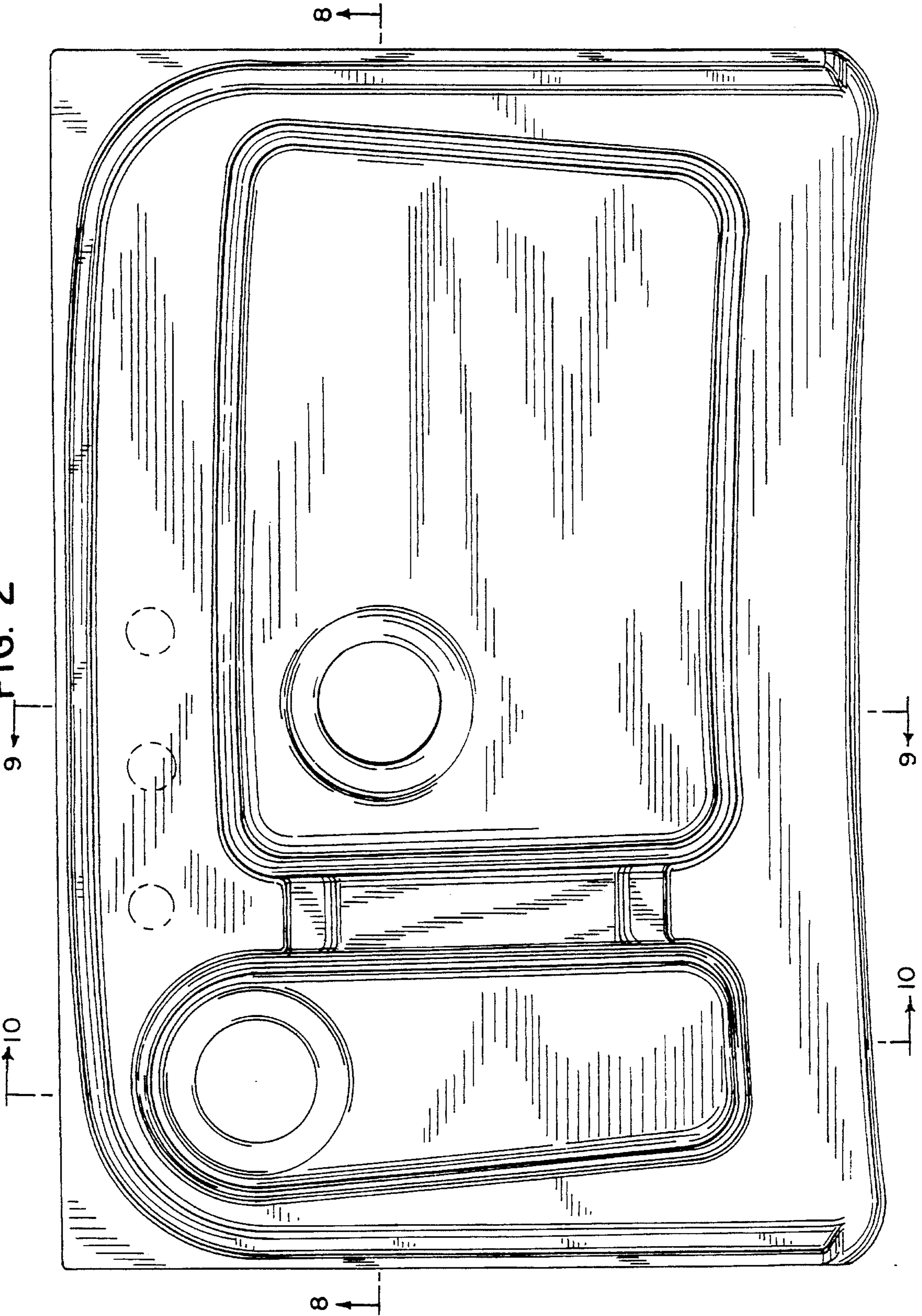


FIG. 3

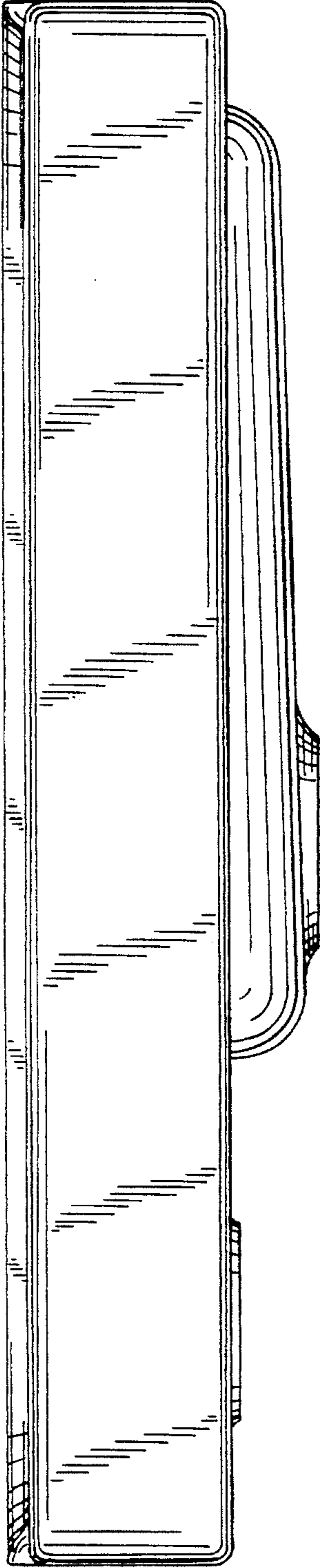


FIG. 4

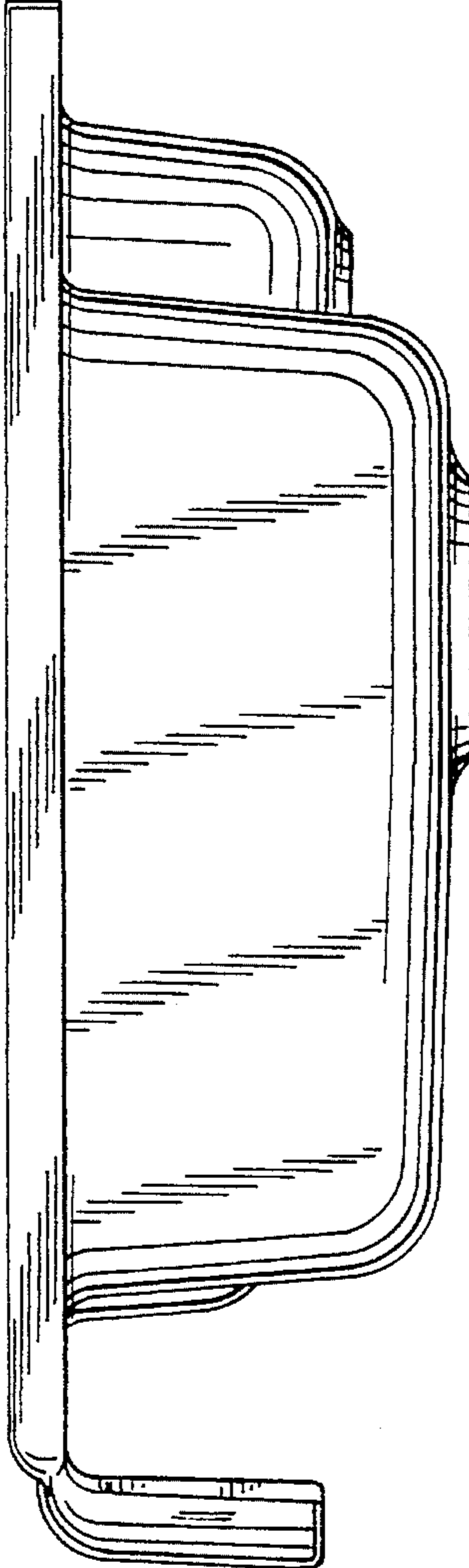
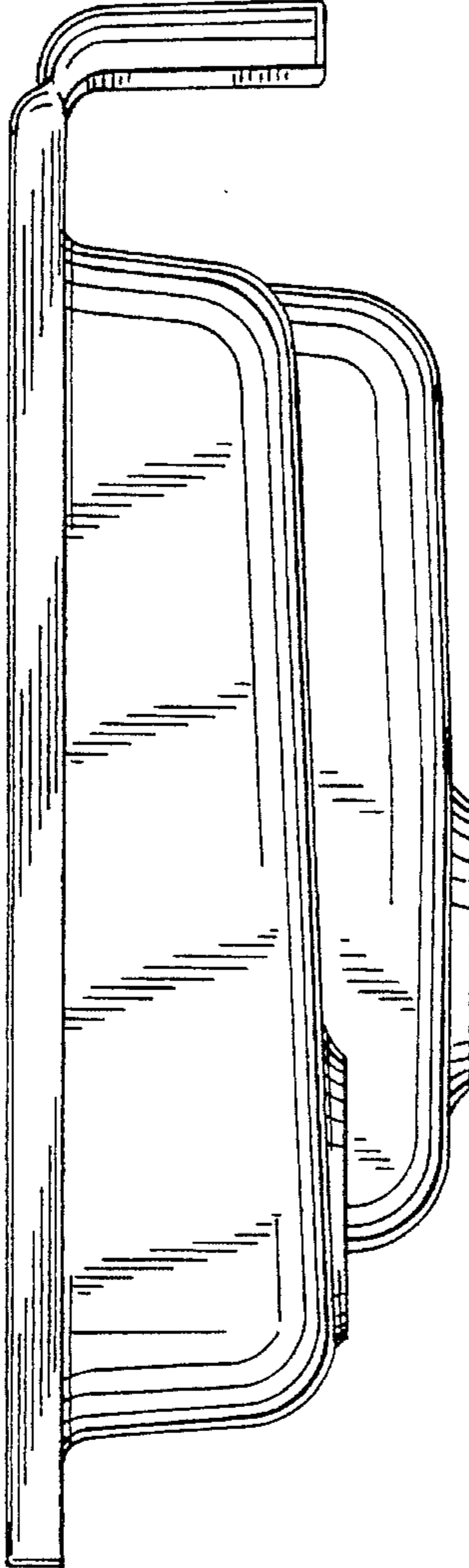
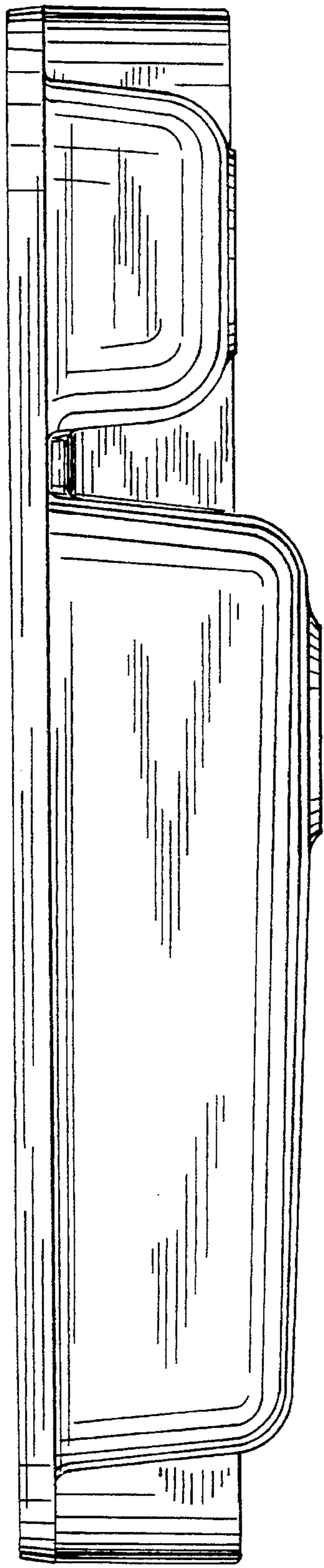
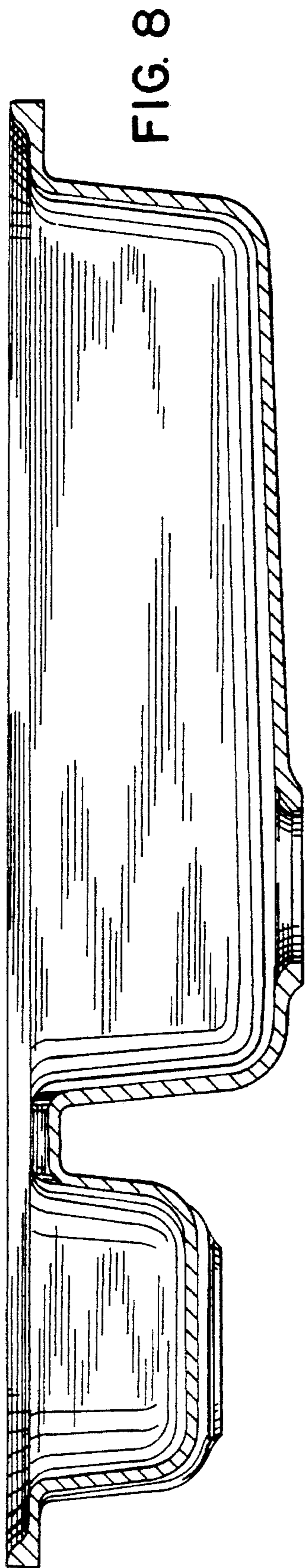


FIG. 5





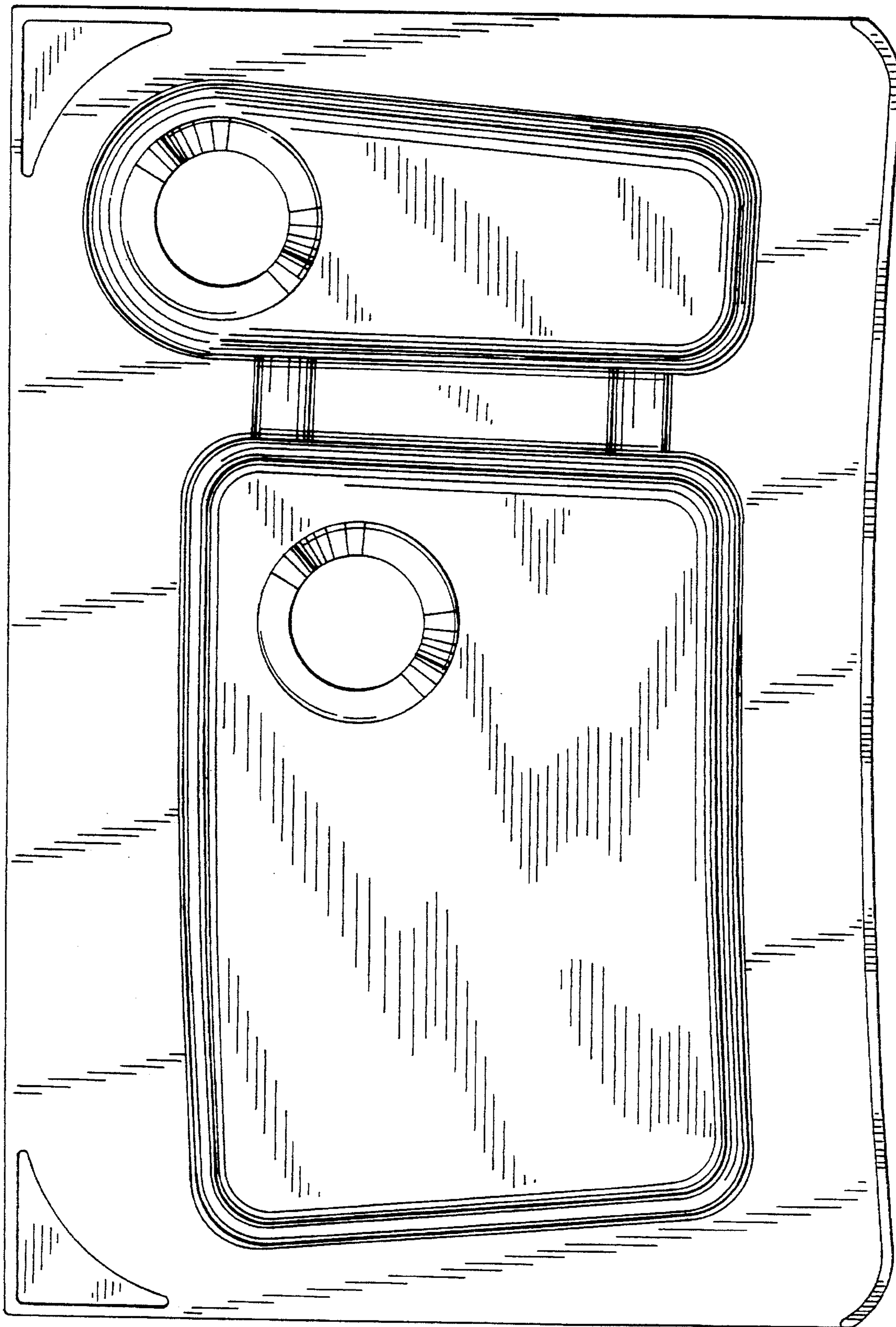


FIG. 7

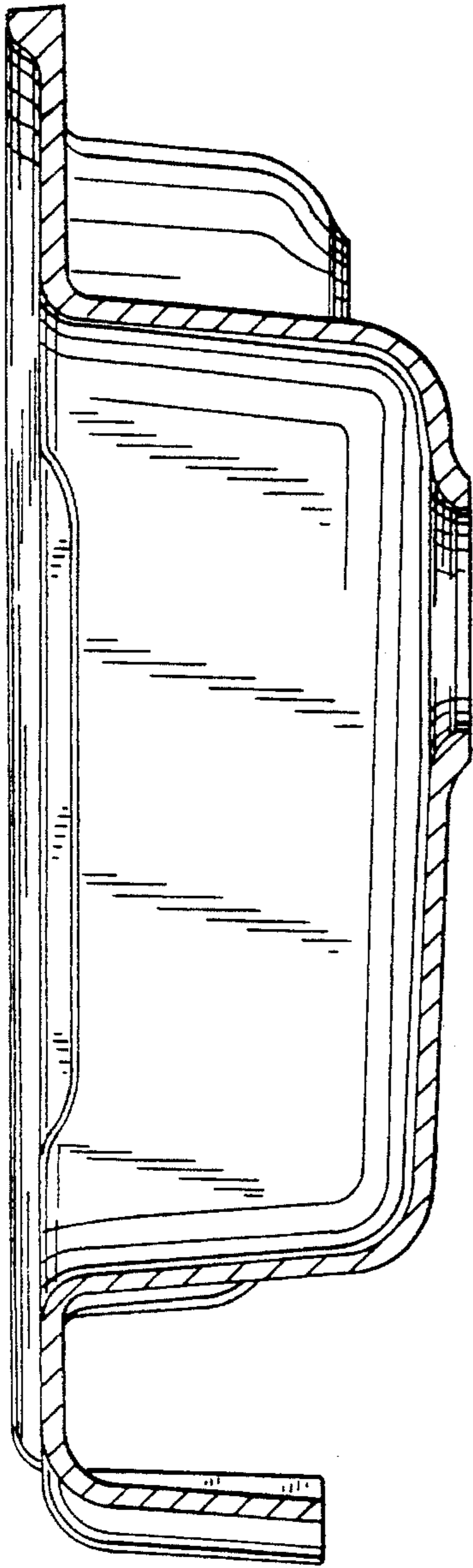


FIG. 9

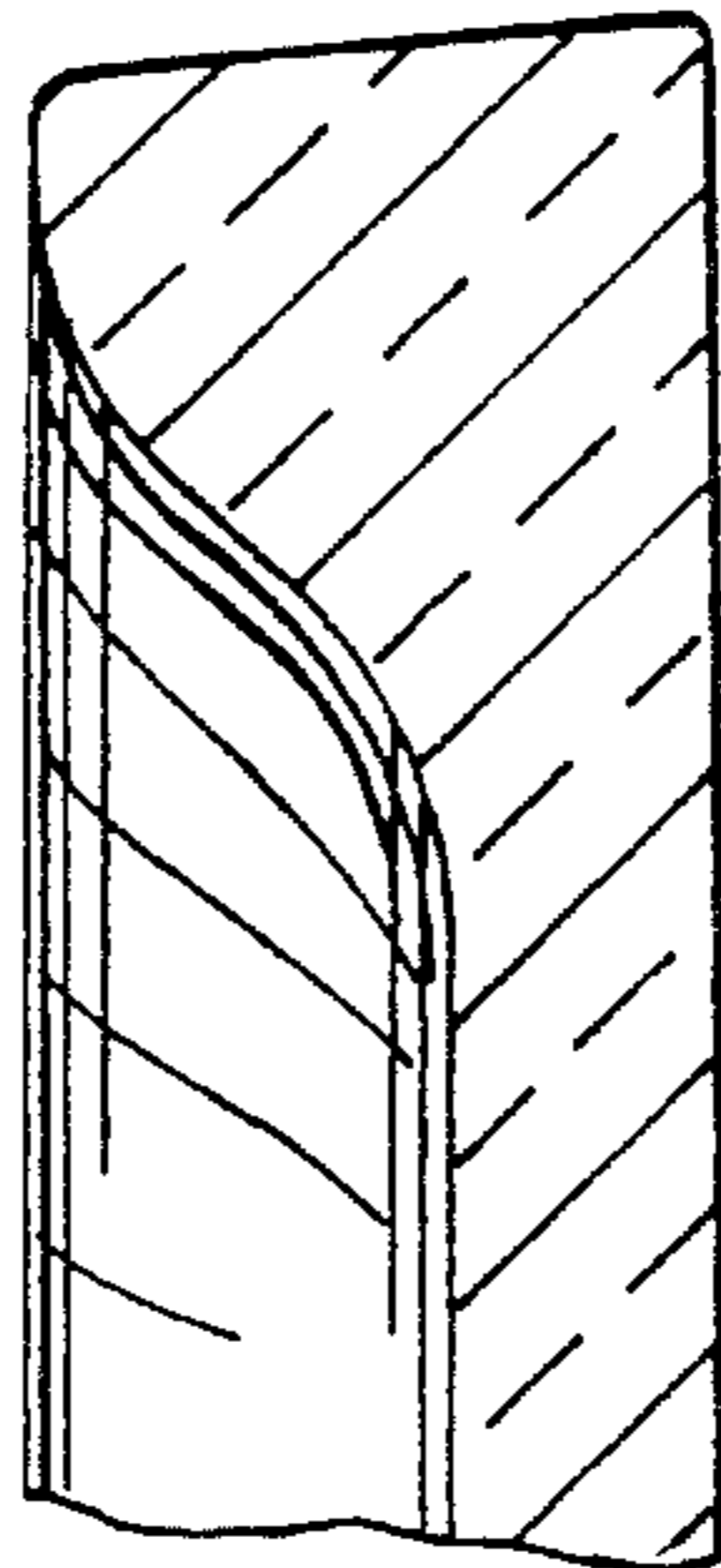


FIG. 11

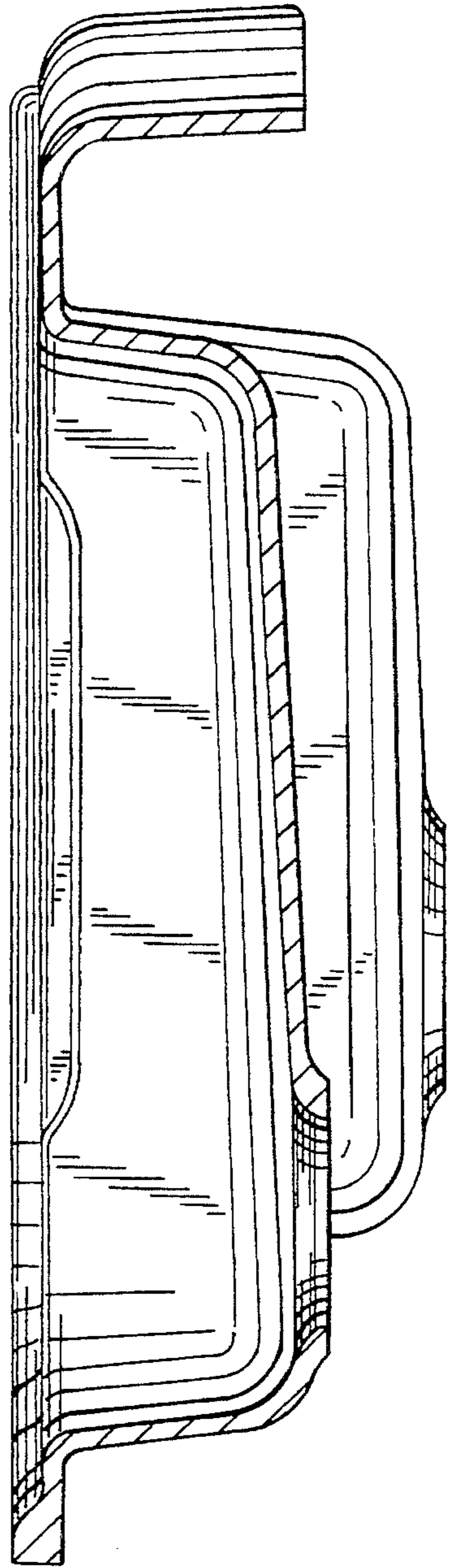
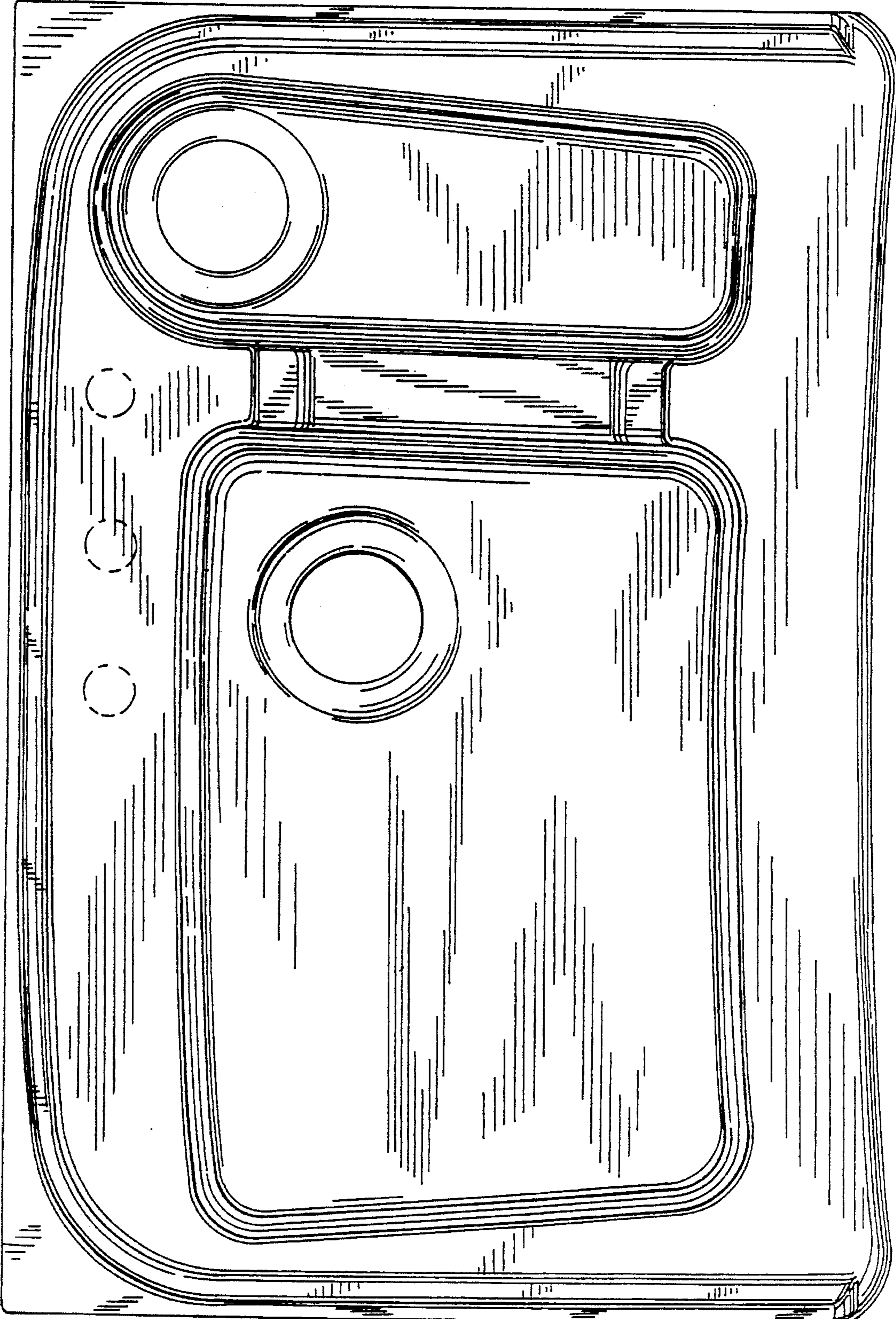


FIG. 10

FIG. 12



UNITED STATES PATENT AND TRADEMARK OFFICE
CERTIFICATE OF CORRECTION

PATENT NO. : Des. 362,901

DATED : October 3, 1995

INVENTOR(S) : Todd D. Dannenberg and Jill E. Roach

It is certified that error appears in the above-identified patent and that said Letters Patent is hereby corrected as shown below: On the title page: Item [57]

The following is added below the description of Fig. 12:

--The fragmentary broken line representations of holes in Figs. 1, 2 and 12 and of a counter in Fig. 1 are for the purpose of illustration only and form no part of the claimed design.--

Signed and Sealed this
Ninth Day of January, 1996

Attest:



BRUCE LEHMAN

Attesting Officer

Commissioner of Patents and Trademarks