



US00D362900S

# United States Patent [19]

[11] Patent Number: **Des. 362,900**

Miska

[45] Date of Patent: **\*\*Oct. 3, 1995**

[54] **THREADED PLUG FOR RECREATIONAL VEHICLE WATER ENTRY SYSTEM**

D. 227,763 7/1973 Hand ..... D23/262  
D. 229,496 12/1973 Hand ..... D23/262  
D. 344,242 2/1994 Weise et al. .... D23/260 X

[76] Inventor: **Stanley M. Miska**, 9216 Kingston Rd., Bradenton, Fla. 34210

*Primary Examiner*—Lou Zarfes  
*Assistant Examiner*—Eric Watterson

[\*\*] Term: **14 Years**

### [57] CLAIM

[21] Appl. No.: **15,561**

The ornamental design for a threaded plug for recreational vehicles water entry systems, as shown and described.

[22] Filed: **Nov-22, 1993**

[52] U.S. Cl. .... **D23/260**

### DESCRIPTION

[58] **Field of Search** ..... D23/260, 261, D23/262-269; D12/82, 100, 103, 106, 197; 72/95; 238/370, 371, 372; 138/89, 90, 91, 94; 285/121, 122, 126, 129, 175

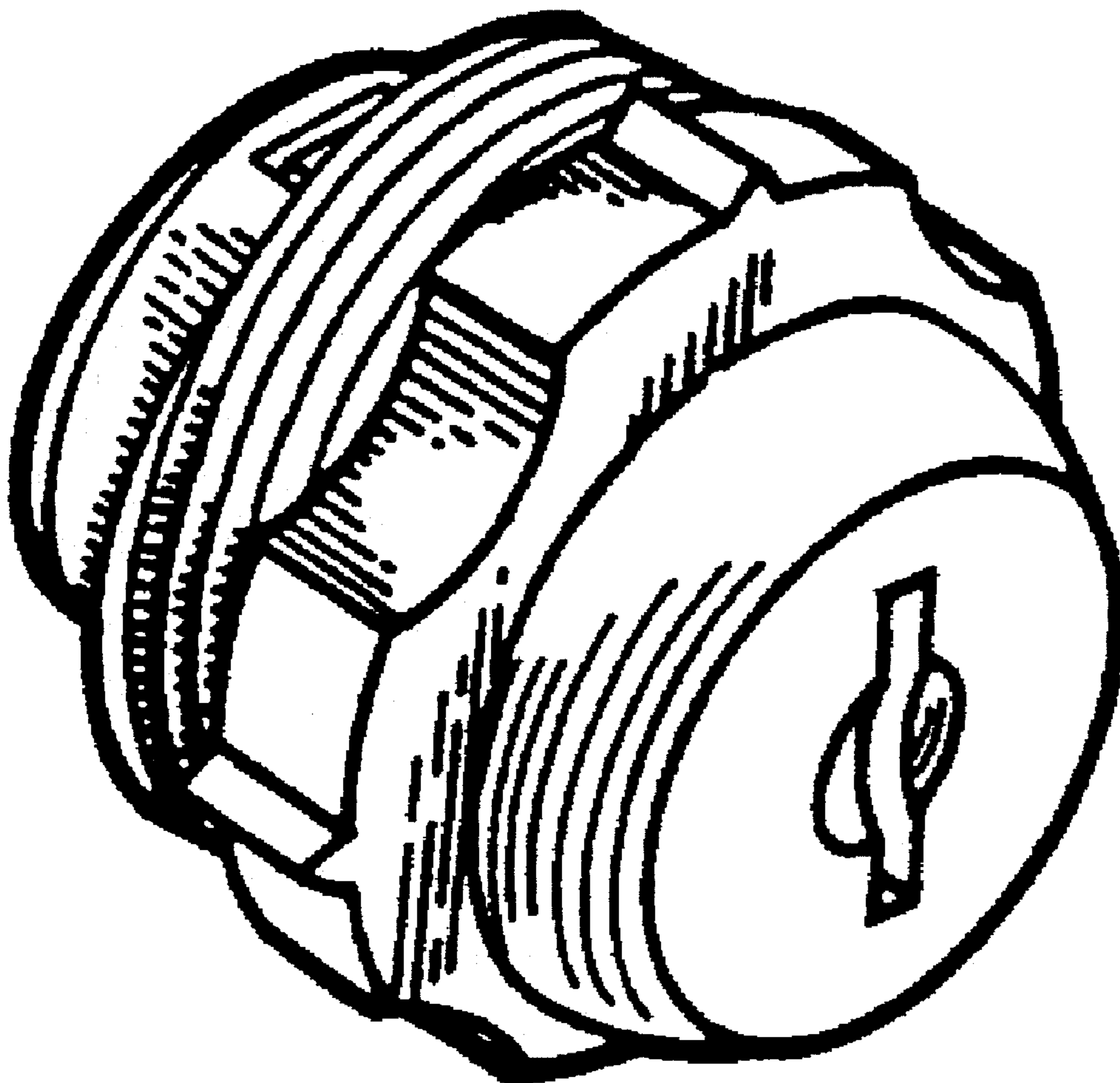
FIG. 1 is a top plan view of a threaded plug showing my new design, the bottom view being a mirror image thereof; FIG. 2 is a left end view thereof; FIG. 3 is a left side elevational view, the opposite side being a mirror image thereof; FIG. 4 is a right end view thereof; and, FIG. 5 is a perspective view thereof.

### [56] References Cited

#### U.S. PATENT DOCUMENTS

D. 176,640 1/1956 Smith ..... D23/260  
D. 209,377 11/1967 Pomroy ..... D23/260

**1 Claim, 1 Drawing Sheet**



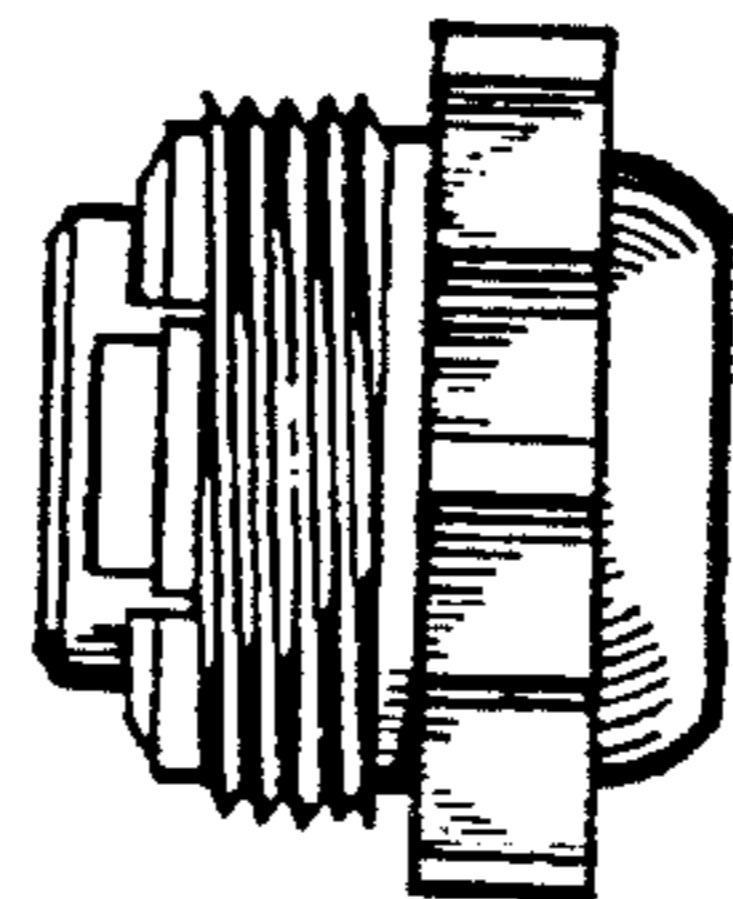


FIG. 1

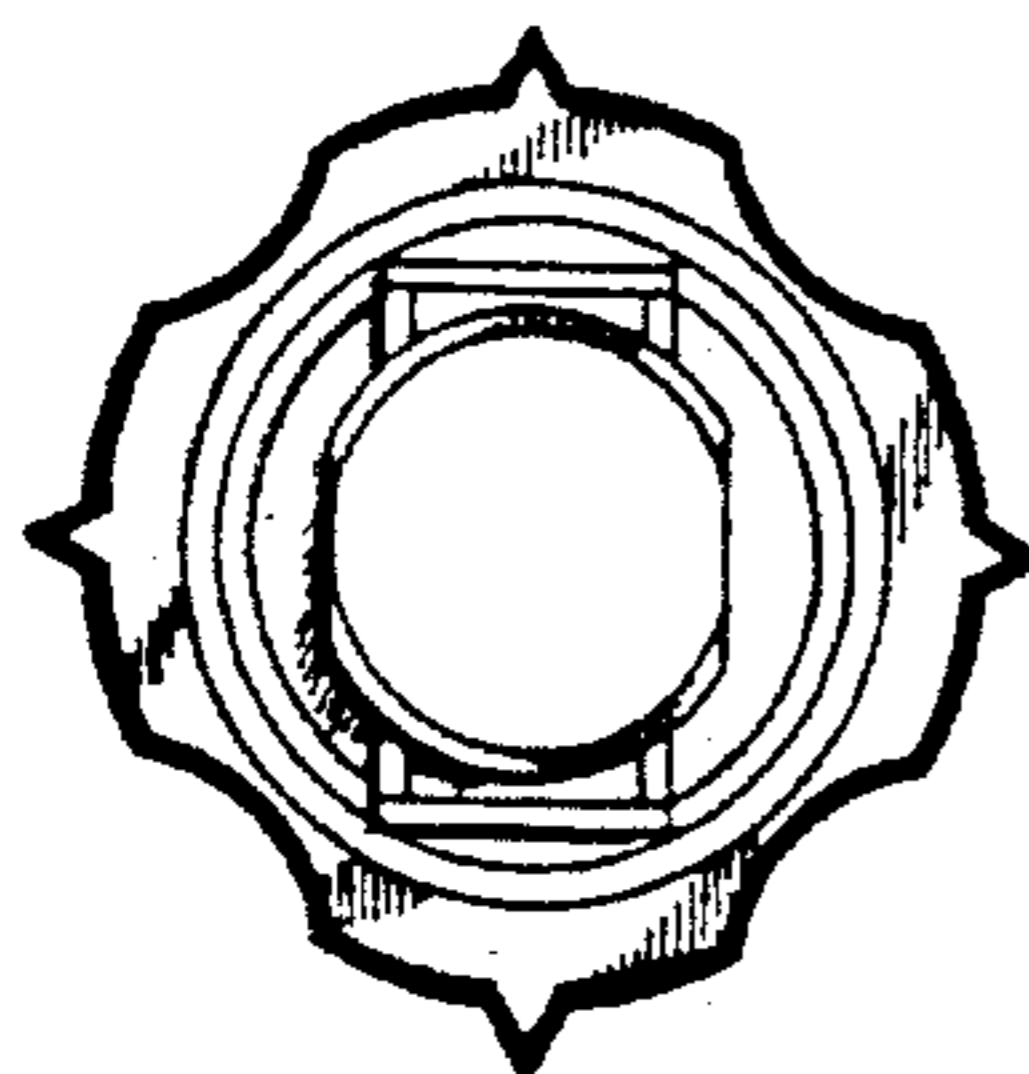


FIG. 2

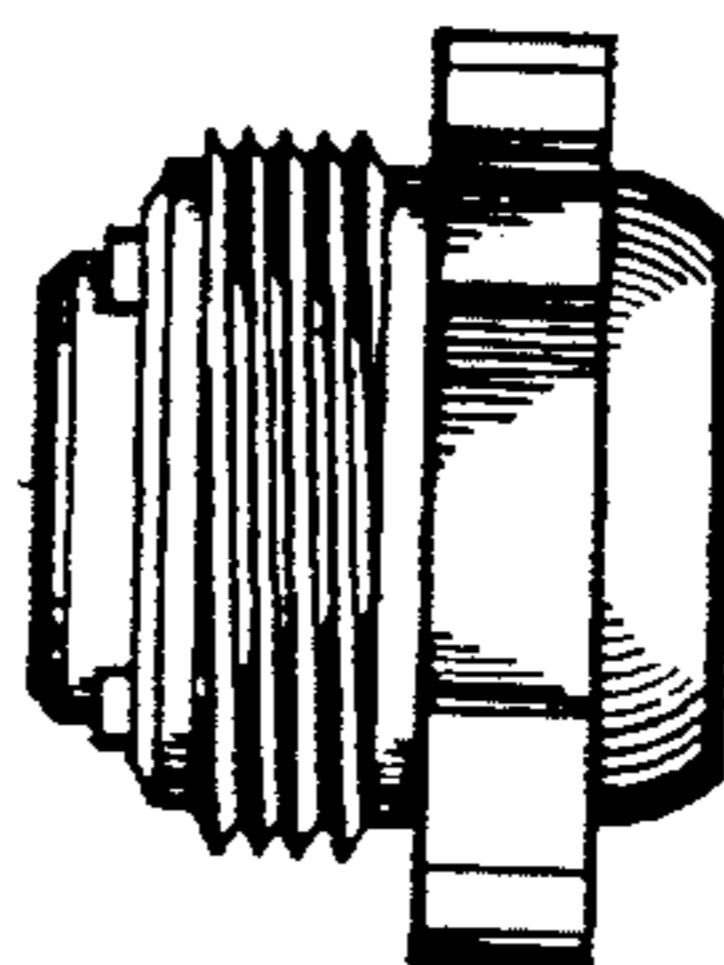


FIG. 3

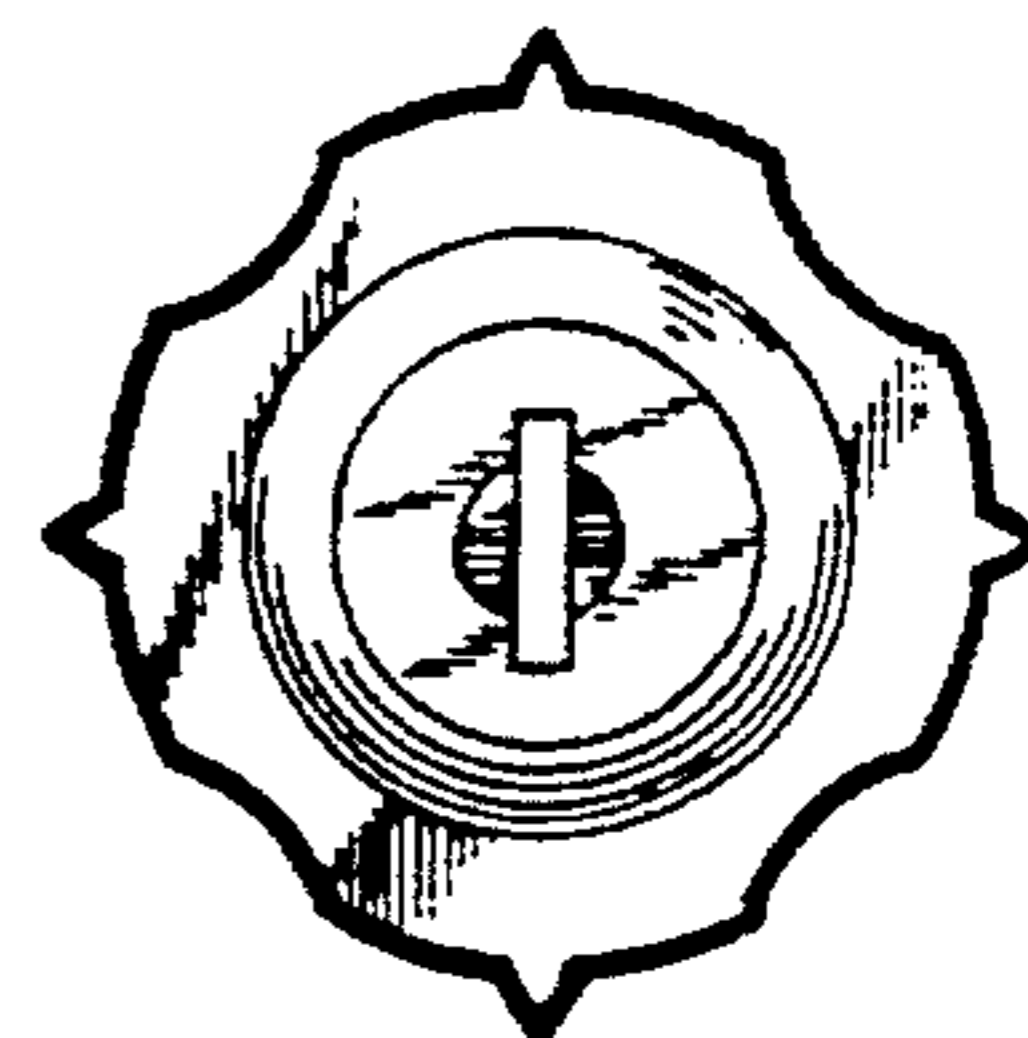


FIG. 4

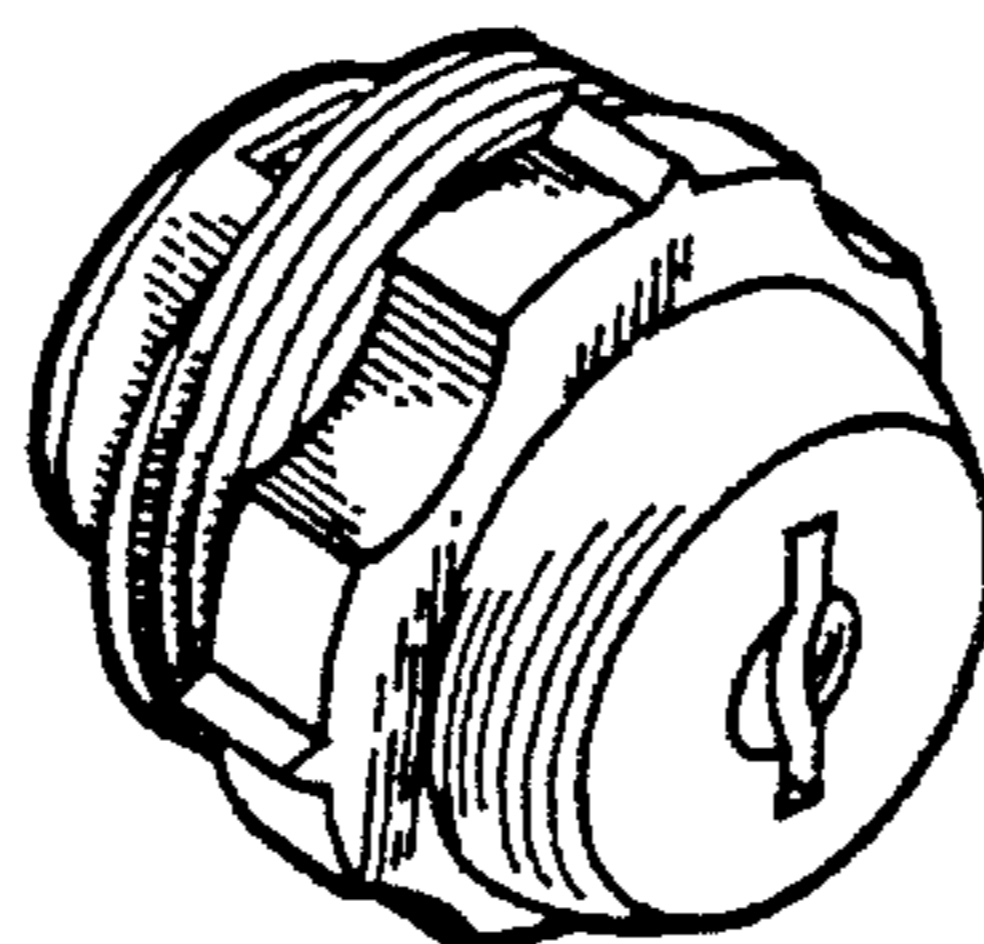


FIG. 5