



US00D362897S

United States Patent [19]

[11] Patent Number: **Des. 362,897**

Cohen et al.

[45] Date of Patent: ****Oct. 3, 1995**

[54] **INSECT BAIT HOLDER**

[75] Inventors: **Paul Cohen, Cammeray; Ian A. Cameron, Redfern, both of Australia**

[73] Assignee: **R&C Products Pty Ltd., Ermington, Australia**

[**] Term: **14 Years**

[21] Appl. No.: **16,847**

[22] Filed: **Dec. 28, 1993**

[30] **Foreign Application Priority Data**

Aug. 3, 1993 [AU] Australia 2354/93

[52] U.S. Cl. **D22/122**

[58] Field of Search D22/119-123;
43/131, 114, 132.1, 124, 121

[56] **References Cited**

U.S. PATENT DOCUMENTS

D. 298,160 10/1988 Gatarz D22/122
D. 305,924 2/1990 DeMarest D22/122

D. 306,895 3/1990 Mares D22/122
D. 323,871 2/1992 Nitta et al. D22/122
D. 326,702 6/1992 DeMarest D22/122 X
D. 326,890 6/1992 Maras D22/119
4,793,093 12/1988 Gentile 43/131

FOREIGN PATENT DOCUMENTS

97487 8/1987 Australia .

Primary Examiner—Doris V. Coles
Attorney, Agent, or Firm—Frederick H. Rabin

[57] **CLAIM**

The ornamental design for an insect bait holder, as shown and described.

DESCRIPTION

FIG. 1 is a perspective view from above of the insect bait holder showing our new design;
FIG. 2 is a top plan view thereof;
FIG. 3 is a side view thereof;
FIG. 4 is a side view thereof; and,
FIG. 5 is an inverted plan view thereof.

1 Claim, 2 Drawing Sheets

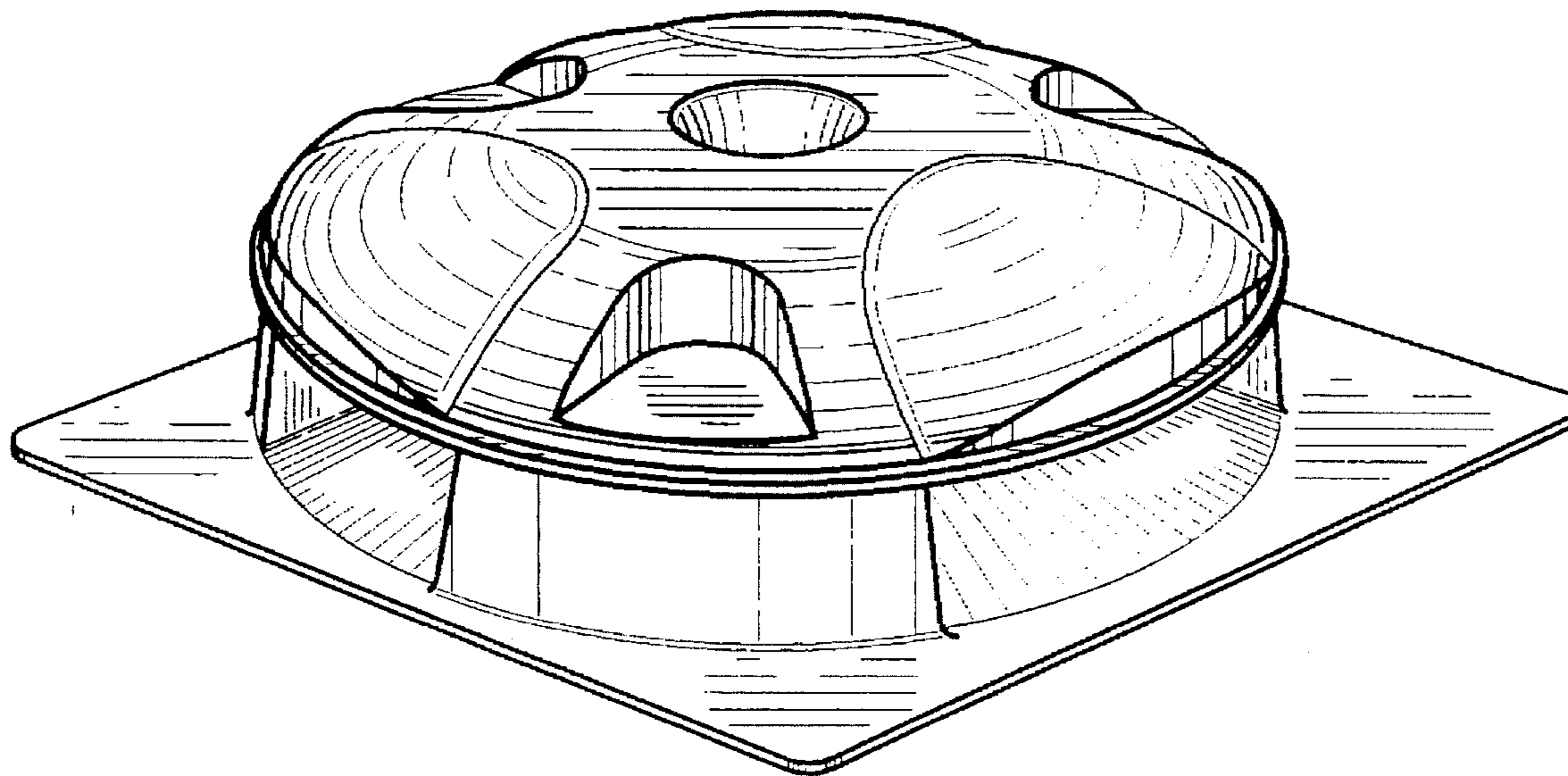


FIG. 1

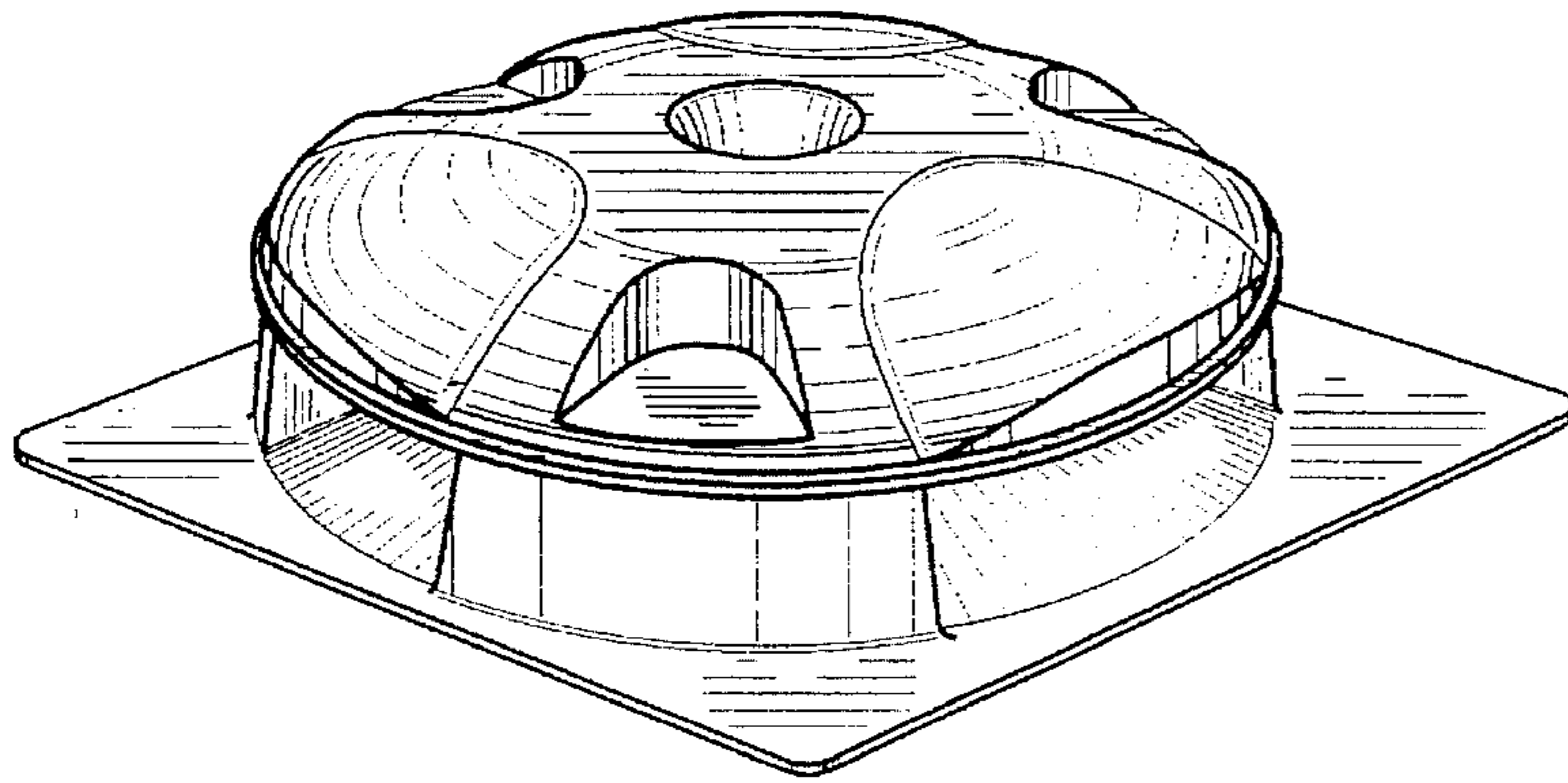


FIG. 2

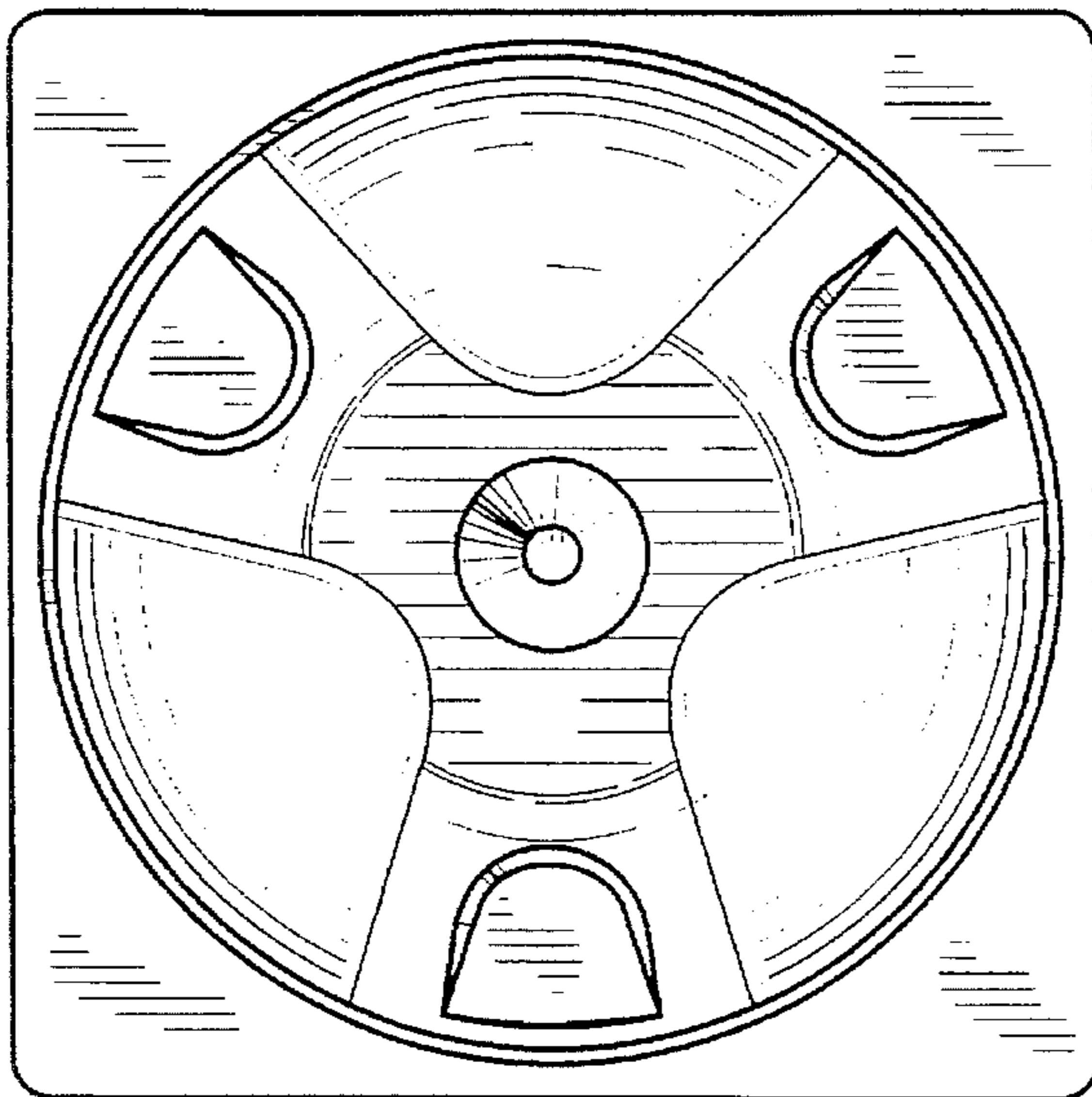


FIG. 3

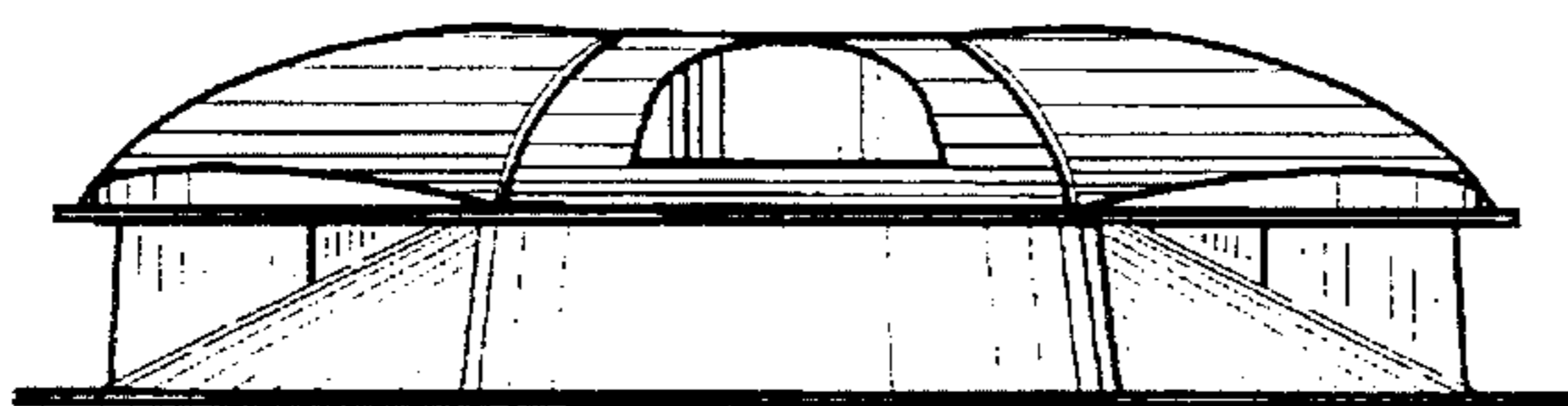


FIG. 4

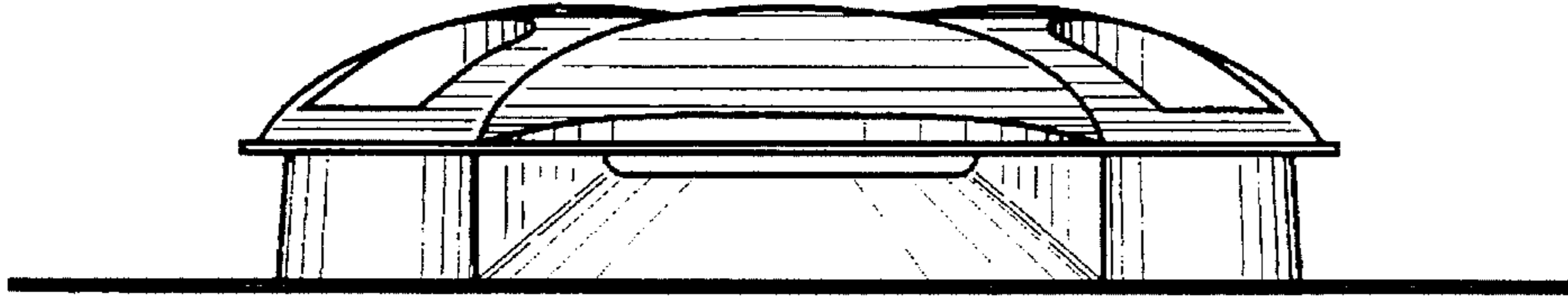


FIG. 5

