



US00D362894S

United States Patent [19] Gasperoni

[11] Patent Number: **Des. 362,894**

[45] Date of Patent: ****Oct. 3, 1995**

[54] **GOLF SWING TRAINING EXERCISER**

4,944,518	7/1990	Flynn	273/186
5,013,045	5/1991	Elmore	273/186
5,158,299	11/1992	Otter	273/186.2

[76] Inventor: **Emil Gasperoni, Sr.**, 1126 Brounshire Ct., Longwood, Fla. 32779

[**] Term: **14 Years**

Primary Examiner—Ted Shooman
Assistant Examiner—Cheri Cohen
Attorney, Agent, or Firm—William M. Hobby, III

[21] Appl. No.: **27,697**

[57] **CLAIM**

[22] Filed: **Aug. 29, 1994**

The ornamental design for a golf swing training exerciser, as shown and described.

[52] U.S. Cl. **D21/234**

[58] Field of Search D21/234, 198;
482/129, 49; 273/193 A, 81 R, 81.4, 186.1,
186.2, 191 A, 191 B, 191 R, 35 R

DESCRIPTION

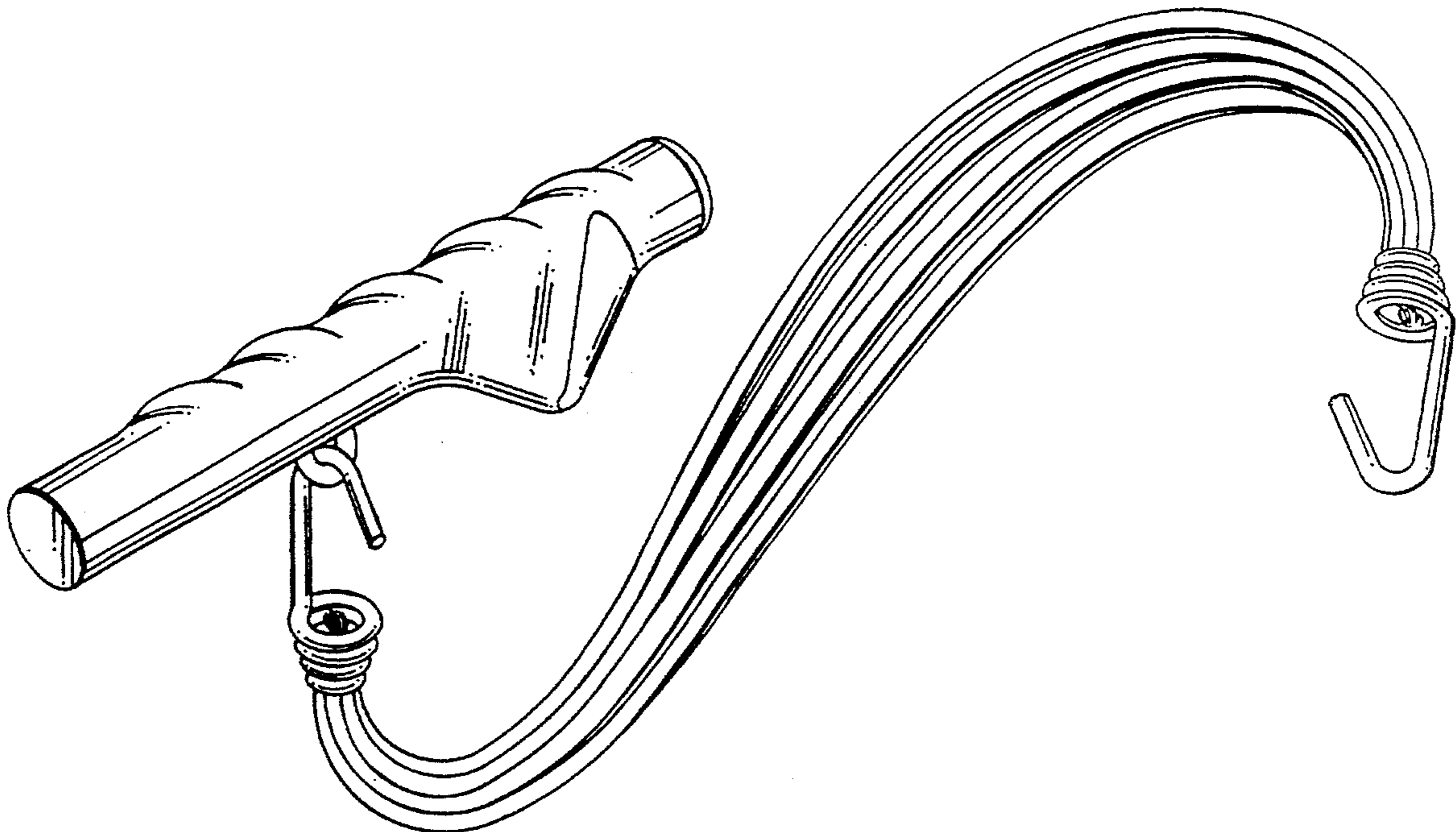
[56] **References Cited**

U.S. PATENT DOCUMENTS

2,849,234	8/1958	Brandon	273/35 R
3,462,156	8/1969	Gentry	273/186
3,677,543	7/1972	Richardson	482/129
3,703,294	11/1972	Fitch	273/191
4,328,964	5/1982	Walls	272/136
4,353,556	10/1982	Self et al.	273/186

FIG. 1 is a perspective view of a golf swing training exerciser showing my new design;
FIG. 2 is a top plan view thereof;
FIG. 3 is a front elevation view thereof;
FIG. 4 is a left end elevation view thereof;
FIG. 5 is a rear elevation view thereof;
FIG. 6 is a bottom plan view thereof; and,
FIG. 7 is a right end elevation view thereof.

1 Claim, 2 Drawing Sheets



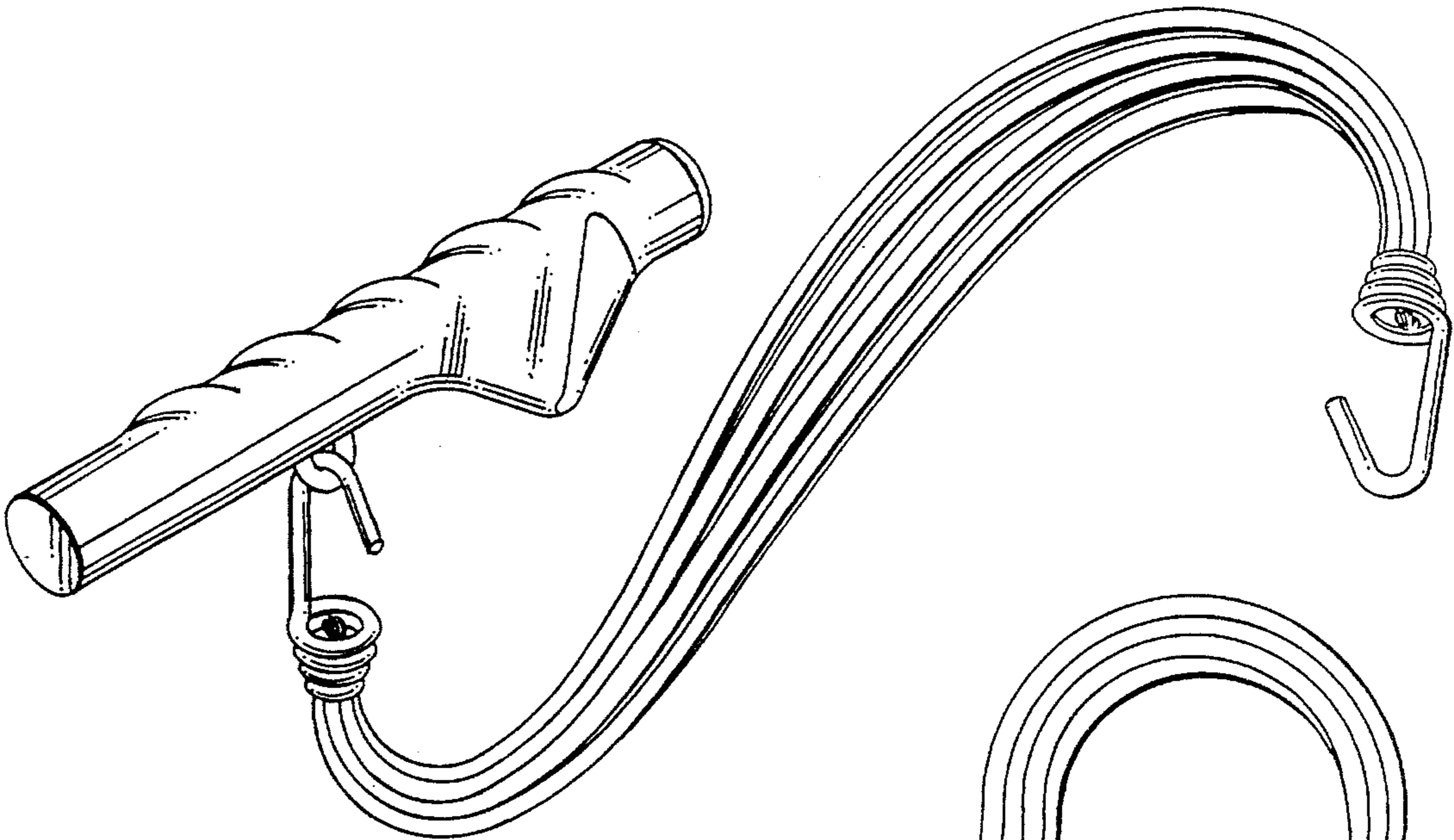


FIG. 1

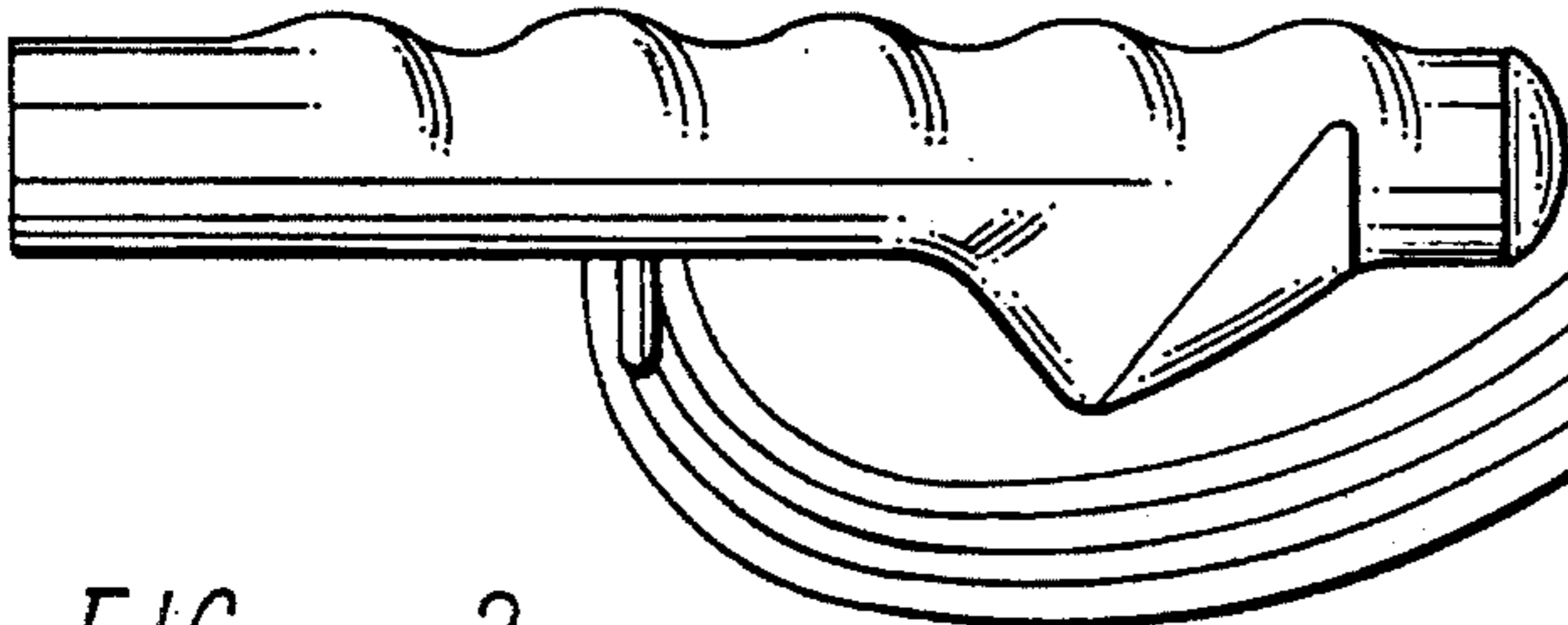


FIG. 2

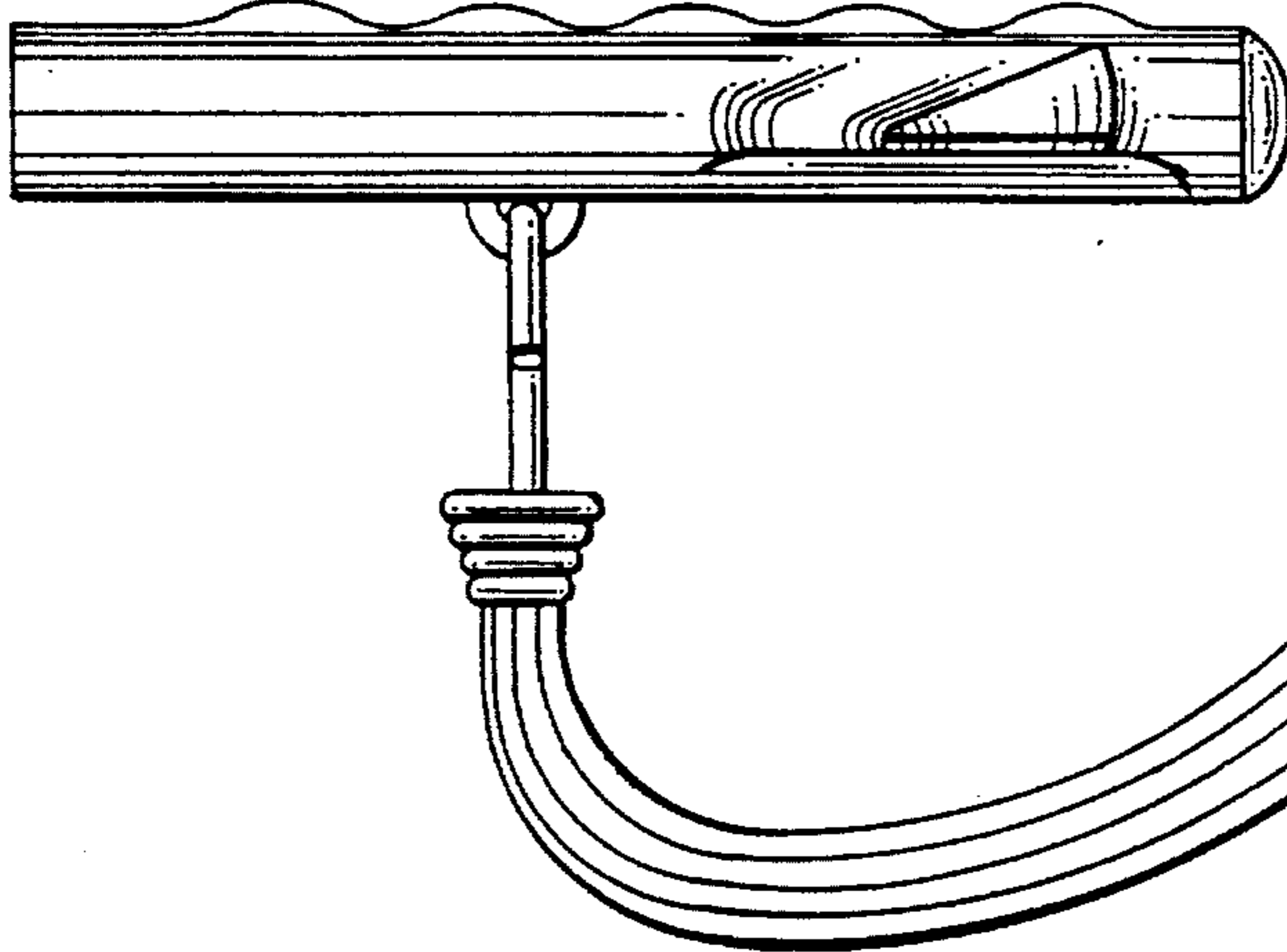
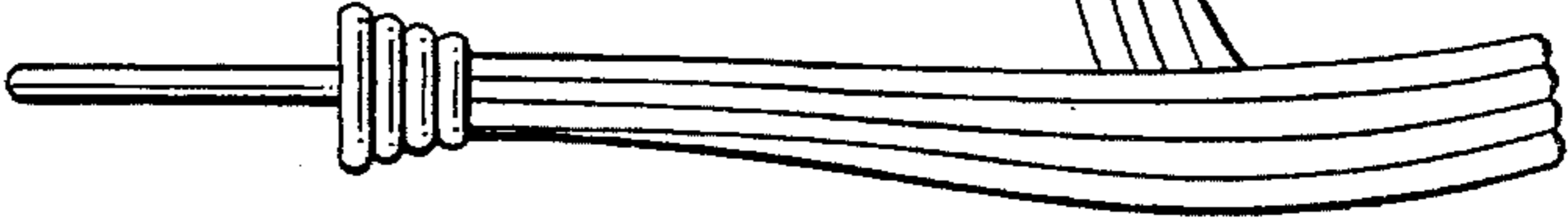


FIG. 3

FIG. 4



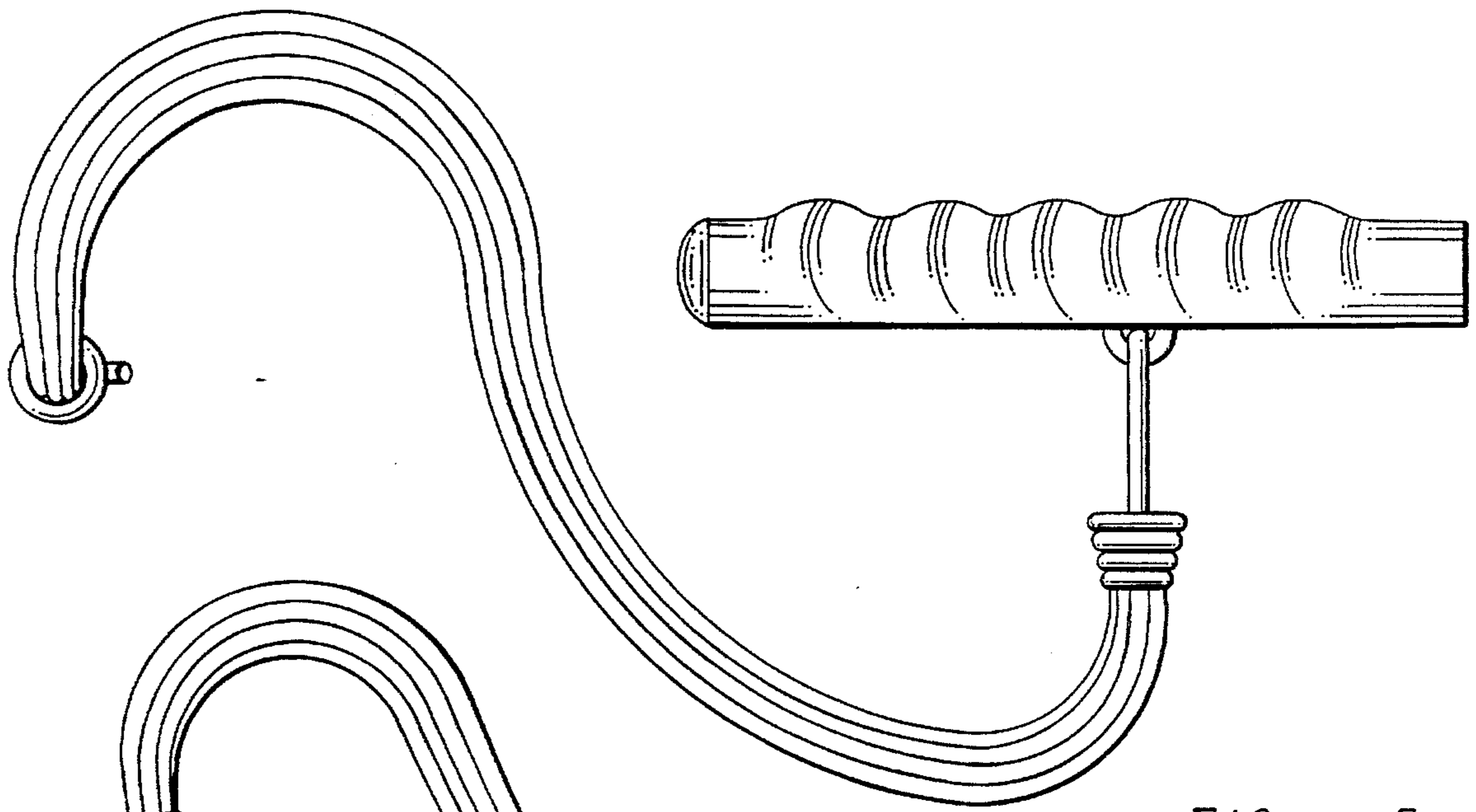


FIG. 5

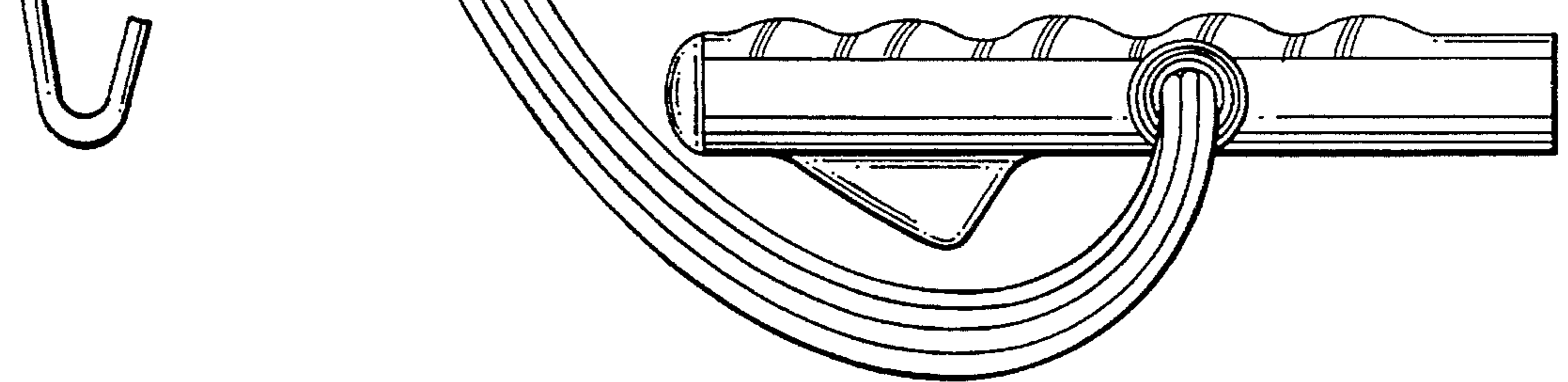


FIG. 6

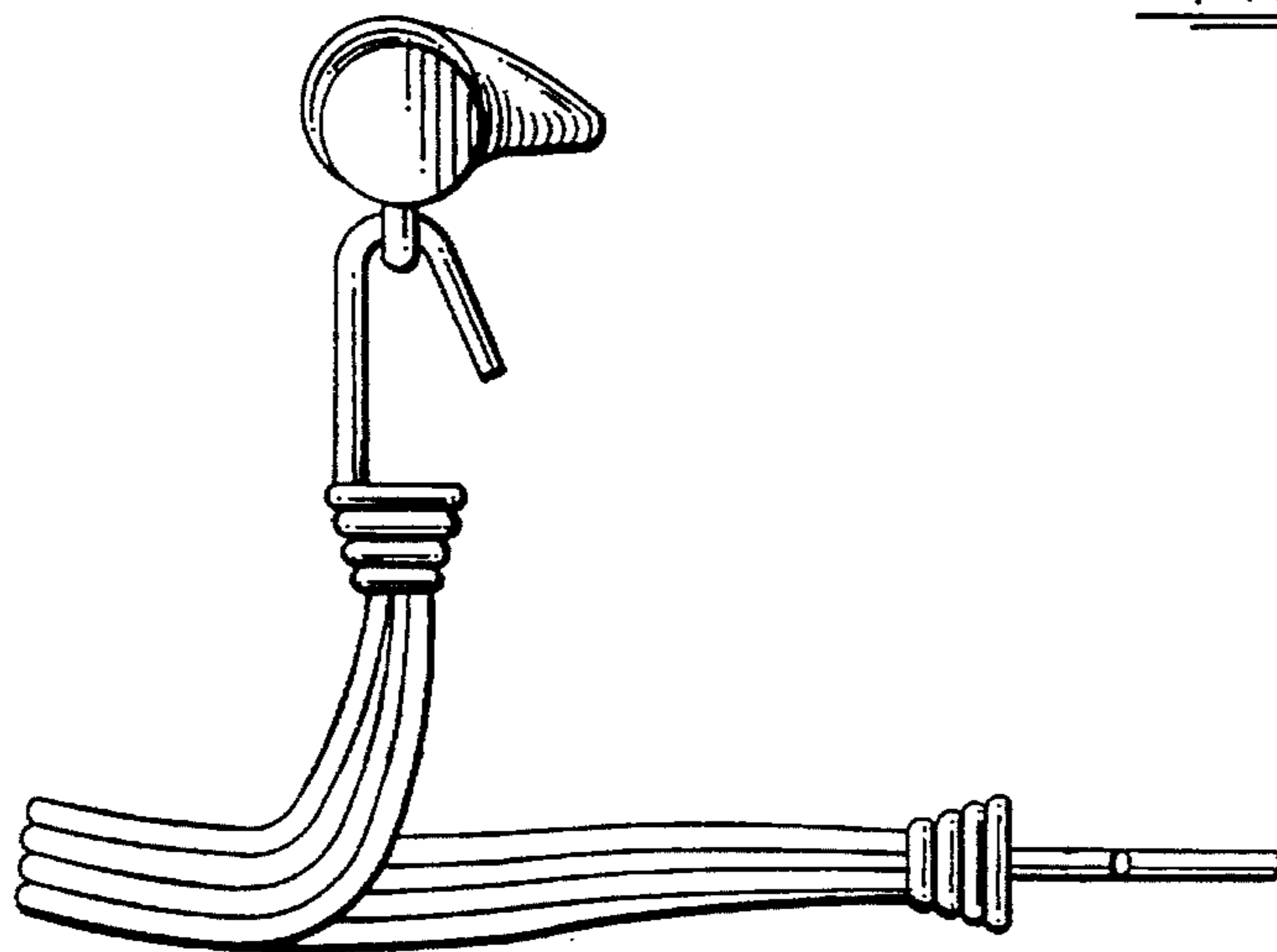


FIG. 7