



US00D362881S

United States Patent [19]

[11] **Patent Number:** **Des. 362,881**

Schickert et al.

[45] **Date of Patent:** ****Oct. 3, 1995**

[54] **BASKETBALL BACKBOARD**

[75] Inventors: **Randy R. Schickert**, Kewaskum; **Jon C. Gallun**, Waukesha, both of Wis.

[73] Assignee: **Huffy Corporation**, Miamisburg, Ohio

[**] Term: **14 Years**

[21] Appl. No.: **22,566**

[22] Filed: **May 9, 1994**

Related U.S. Application Data

- [63] Continuation-in-part of Ser. No. 190,914, Feb. 3, 1994.
- [52] **U.S. Cl.** **D21/201**
- [58] **Field of Search** D21/201, 200;
273/1.5 R, 1.5 A

References Cited

U.S. PATENT DOCUMENTS

D. 216,722	3/1970	Minnette	273/1.5 R X
2,932,511	4/1960	Bemis	273/1.5 R
3,964,743	6/1976	Salsich, Sr.	273/1.5 R
4,424,968	1/1984	Smith	273/1.5 R
4,478,415	10/1984	Shaffer et al.	273/1.5 R

Primary Examiner—Theodore M. Shooman
Assistant Examiner—Cheri Cohen
Attorney, Agent, or Firm—Howrey & Simon; Richard S. Meyer; Leo J. Jennings

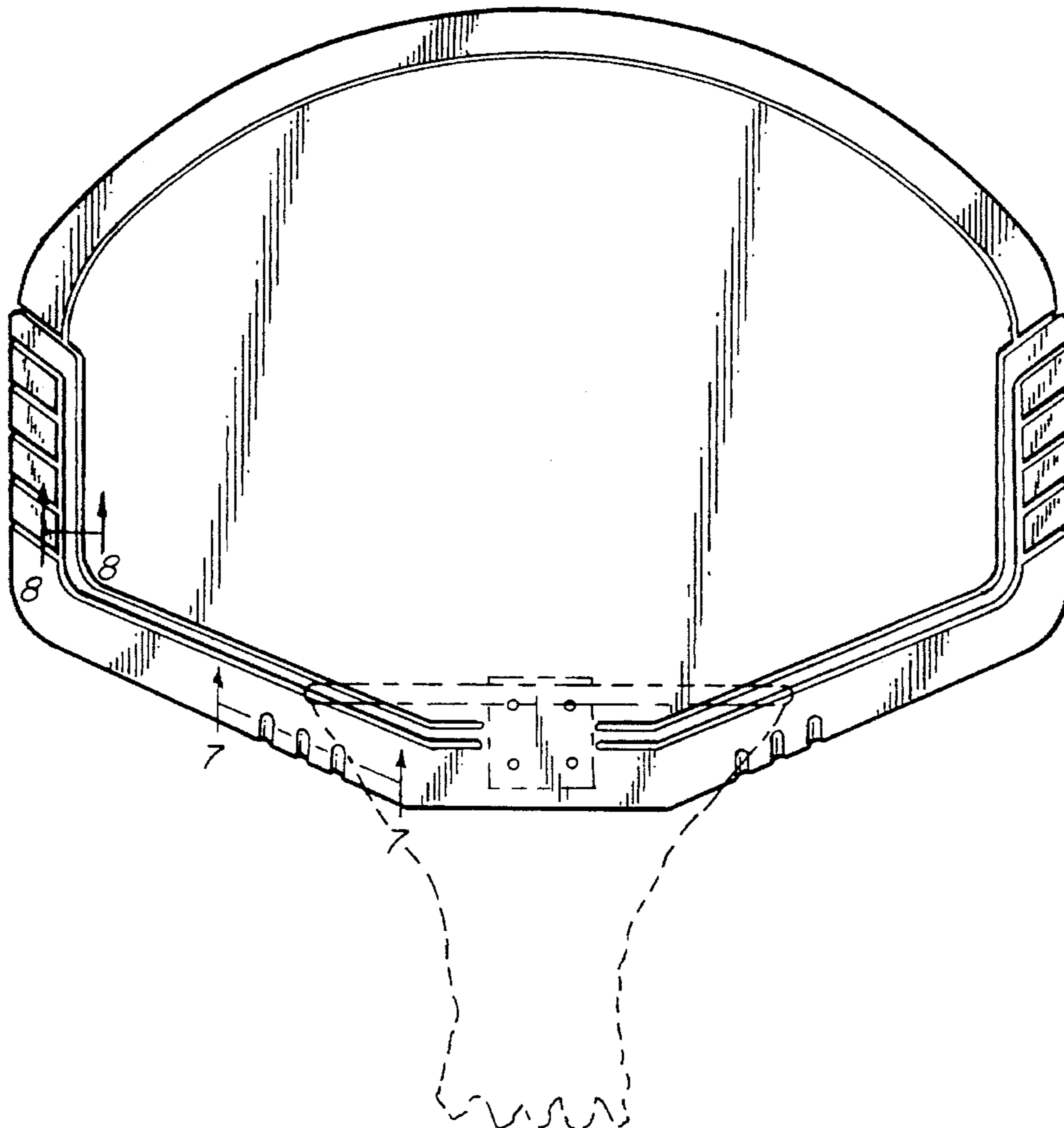
[57] **CLAIM**

The ornamental design for a basketball backboard, as shown and described.

DESCRIPTION

FIG. 1 is a front elevation view of a basketball backboard showing our new design;
 FIG. 2 is a top plan view thereof;
 FIG. 3 is a bottom plan view thereof;
 FIG. 4 is a left side elevational view thereof;
 FIG. 5 is a right side elevational view thereof;
 FIG. 6 is a rear elevational view thereof;
 FIG. 7 is a fragmented cross-sectional view taken along line 7—7 of FIG. 1; and,
 FIG. 8 is a fragmented cross-sectional view taken along line 8—8 of FIG. 1.
 The broken line showing of the net in FIG. 1 is for illustrative purposes only and forms no part of the claimed design.

1 Claim, 3 Drawing Sheets



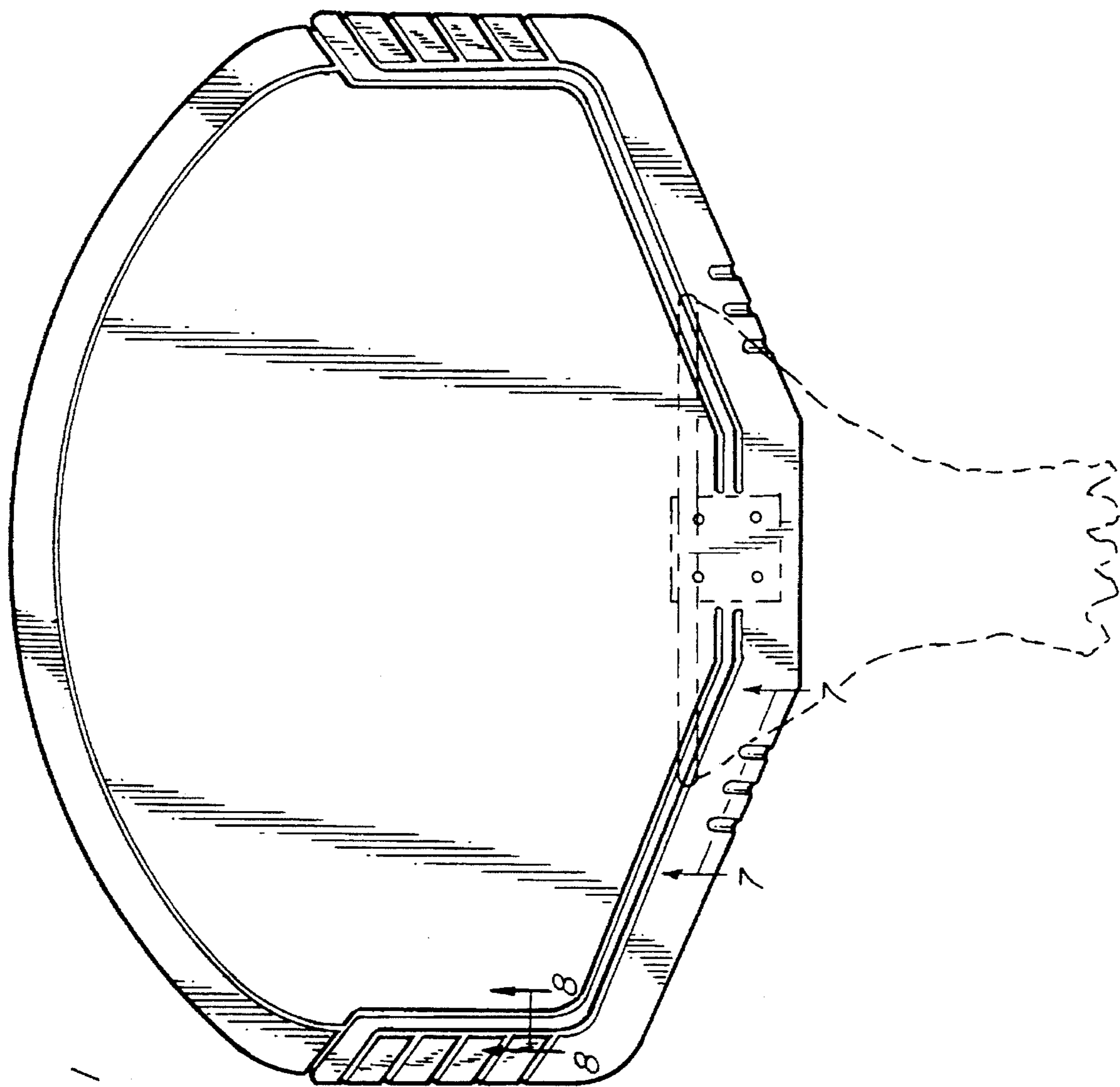


FIG-1

FIG-2



FIG-3

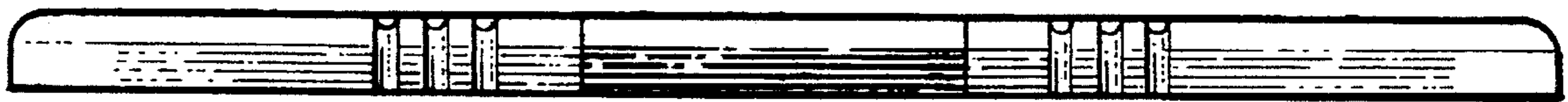


FIG-4



FIG-5



FIG - 6

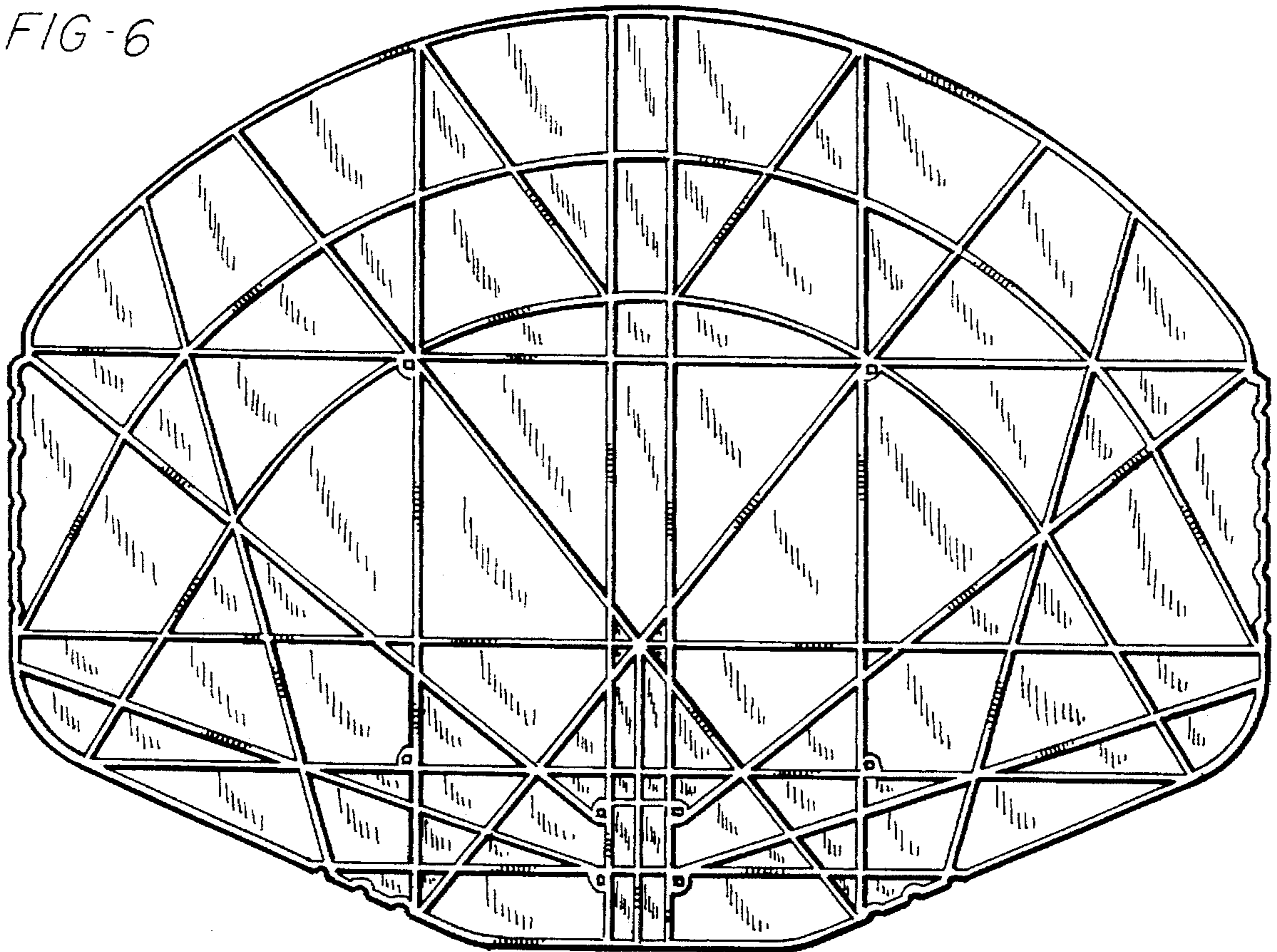


FIG - 7



FIG - 8

