



US00D362880S

United States Patent [19]

[11] **Patent Number:** **Des. 362,880**

Blezek

[45] **Date of Patent:** ****Oct. 3, 1995**

[54] **DUMBBELL**

[76] **Inventor:** **Ronald E. Blezek**, 1360 Chris La.,
Reno, Nev. 89502

[**] **Term:** **14 Years**

[21] **Appl. No.:** **714,063**

[22] **Filed:** **Jun. 12, 1991**

D. 264,931	6/1982	Jones	D8/77
D. 279,495	7/1985	Barbeau	D21/197
1,501,095	7/1924	Brock	81/25
1,630,467	5/1927	Bradstreet	482/108
3,488,051	1/1970	Papistas-Scherer	482/108
3,617,056	11/1971	Herbold	482/108
4,538,806	9/1985	Wilkerson	482/108

Primary Examiner—Theodore M. Shooman
Assistant Examiner—Philip Hyder
Attorney, Agent, or Firm—Brian C. Kelly

Related U.S. Application Data

[63] Continuation-in-part of Ser. No. 247,311, Sep. 21, 1988,
abandoned.

[52] **U.S. Cl.** **D21/197; D8/77**

[58] **Field of Search** **D21/191, 197;**
482/106, 107, 108, 109; 81/25; D8/77,
78

[57] CLAIM

The ornamental design for a dumbbell, as shown and described.

DESCRIPTION

FIG. 1 is a front elevational view of a dumbbell showing my new design, the rear view appearing the same as the front view;

FIG. 2 is a top plan view thereof, the bottom plan view appearing the same as the top view;

FIG. 3 is a side elevational view thereof, both sides appear the same; and,

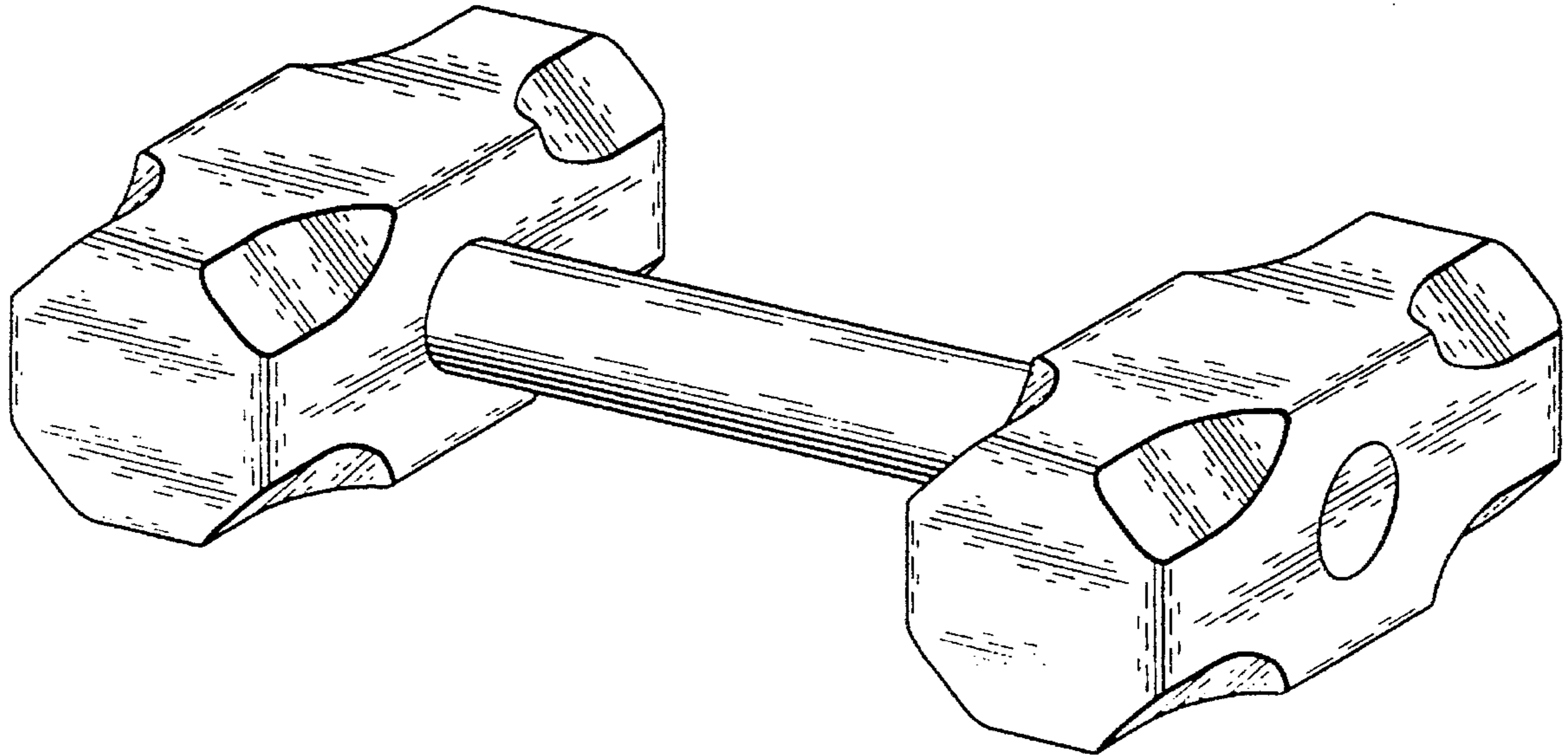
FIG. 4 provides a perspective view thereof.

[56] References Cited

U.S. PATENT DOCUMENTS

D. 31,244	7/1899	Williams et al.	D8/78
D. 41,974	12/1911	Meyer	D8/77
D. 43,877	4/1913	Laws	D8/77
D. 197,899	4/1964	Sutcliffe	D21/197

1 Claim, 1 Drawing Sheet



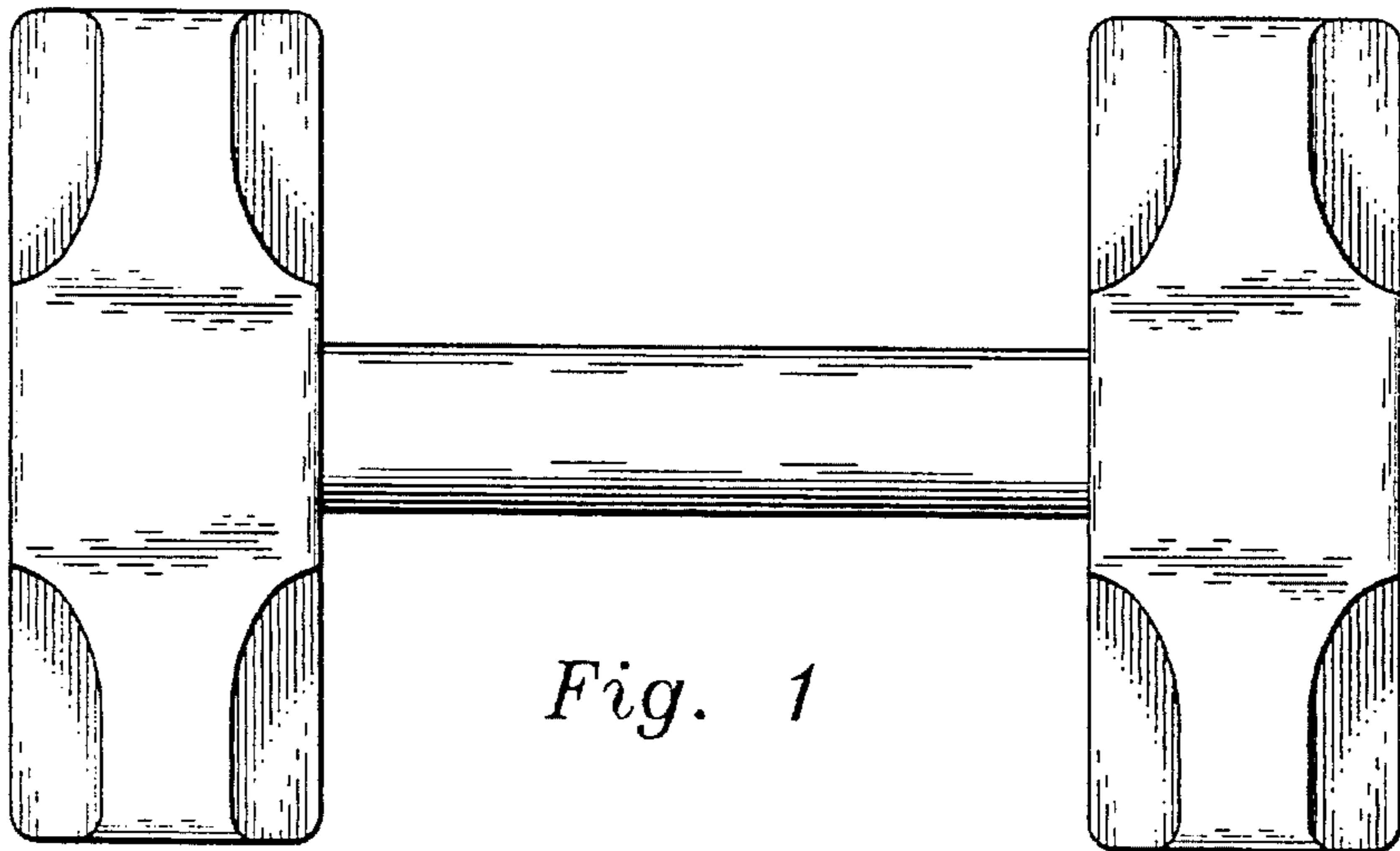


Fig. 1

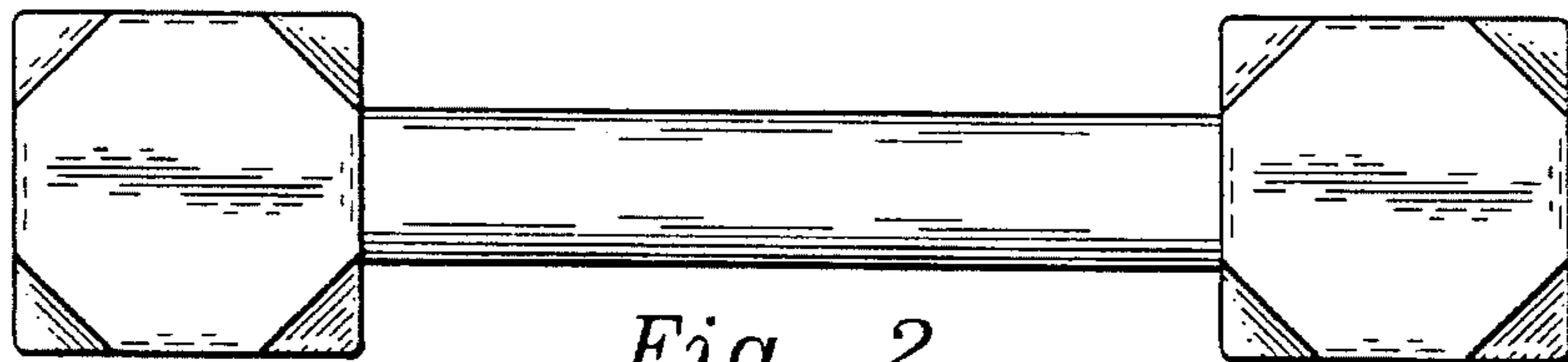


Fig. 2

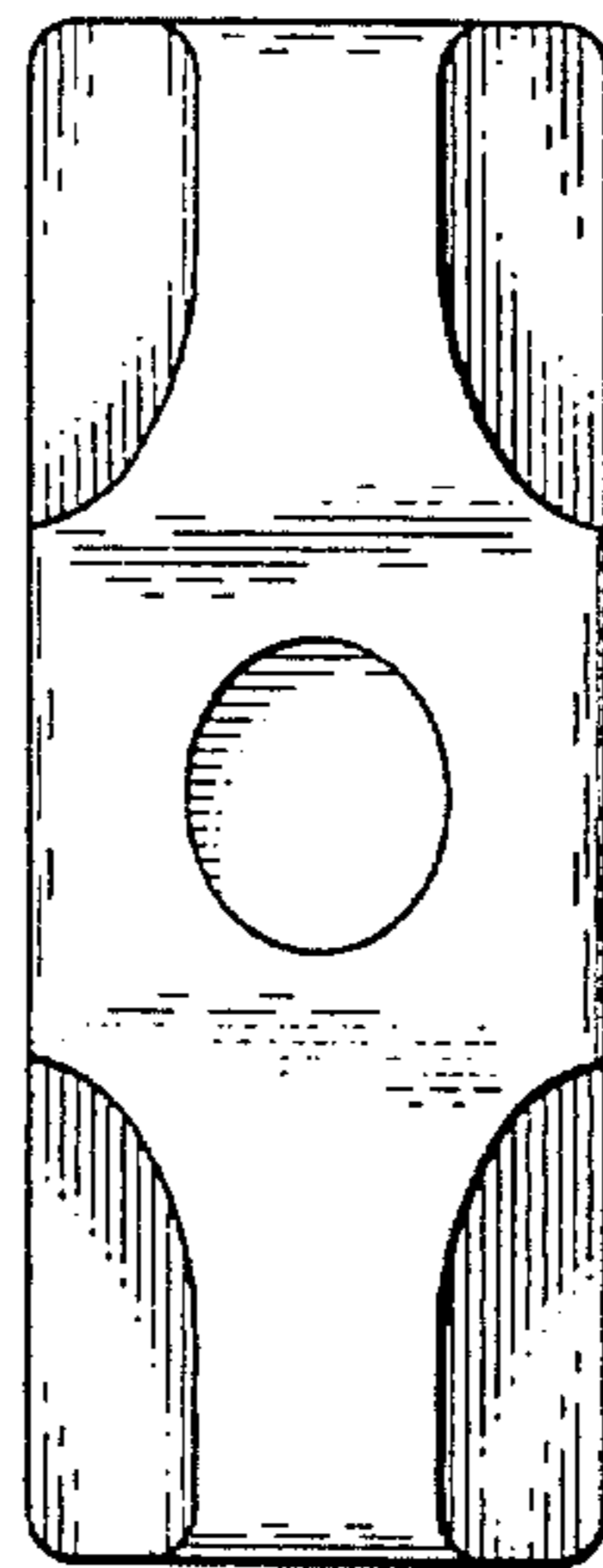


Fig. 3

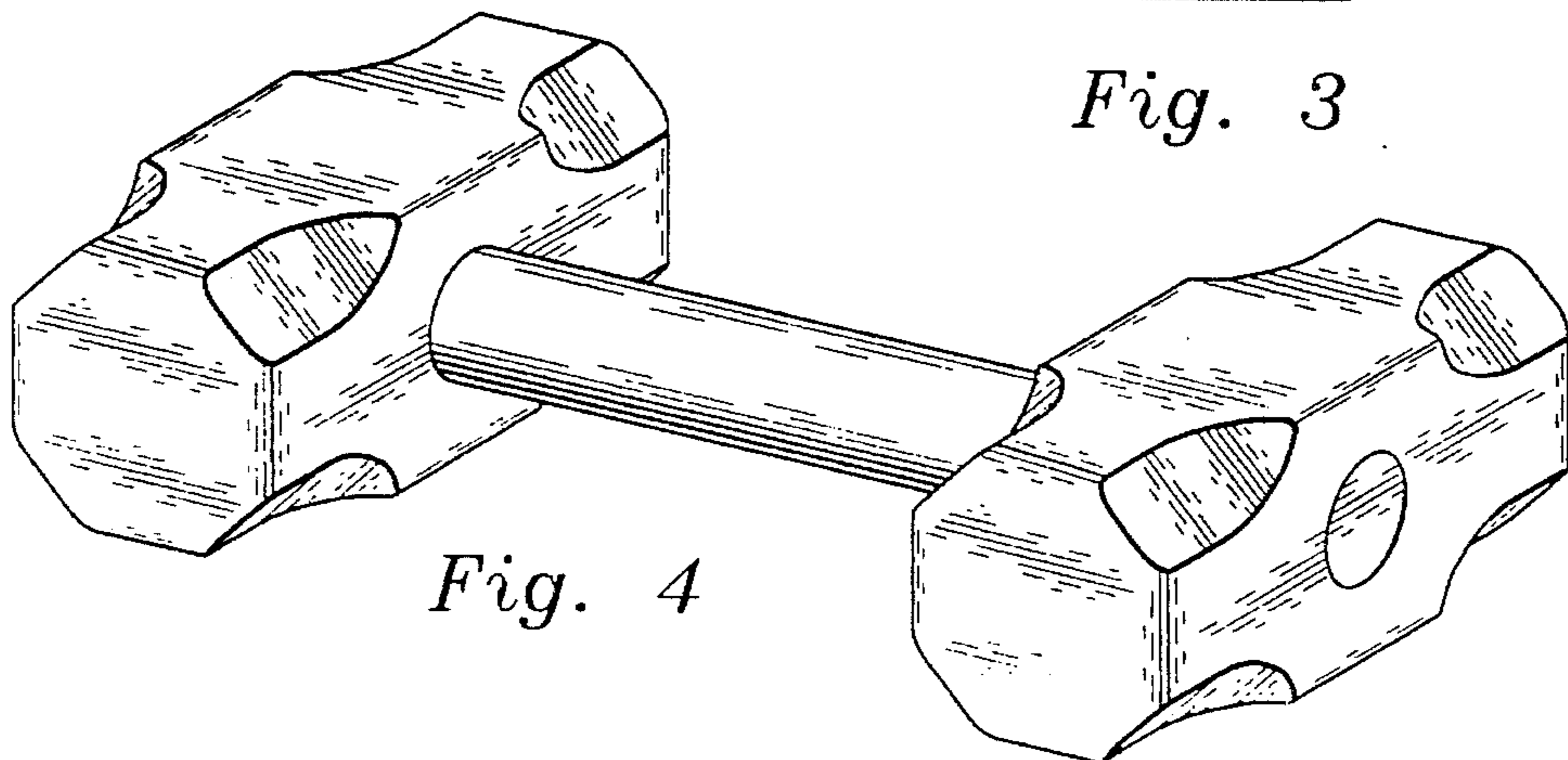


Fig. 4