



US00D362875S

**United States Patent** [19]  
**Vognsen**

[11] **Patent Number:** **Des. 362,875**

[45] **Date of Patent:** **\*\*Oct. 3, 1995**

[54] **TOY BUILDING ELEMENT**

4,690,656 9/1987 Friedman et al. .... 446/95

[75] Inventor: **Anders M. Vognsen**, Ålborg, Denmark

*Primary Examiner*—Terry A. Wallace

*Assistant Examiner*—R. Barkai

[73] Assignee: **Interlego AG**, Baar, Switzerland

*Attorney, Agent, or Firm*—Kane, Dalsimer, Sullivan,  
Kurucz, Levy, Eisele and Richard

[\*\*] Term: **14 Years**

[57] **CLAIM**

[21] Appl. No.: **29,106**

The ornamental design for a toy building element, as shown  
and described.

[22] Filed: **Sep. 29, 1994**

[52] U.S. Cl. .... **D21/108**

**DESCRIPTION**

[58] **Field of Search** ..... D21/108, 124,  
D21/141; 446/103, 104, 121, 128

FIG. 1 is a top perspective view of the toy building element  
showing my new design;

FIG. 2 is a bottom perspective view thereof;

FIG. 3 is a front elevational view thereof, the rear side being  
identical;

FIG. 4 is a left side elevational view thereof, the right side  
being identical;

FIG. 5 is a bottom plan view thereof; and,

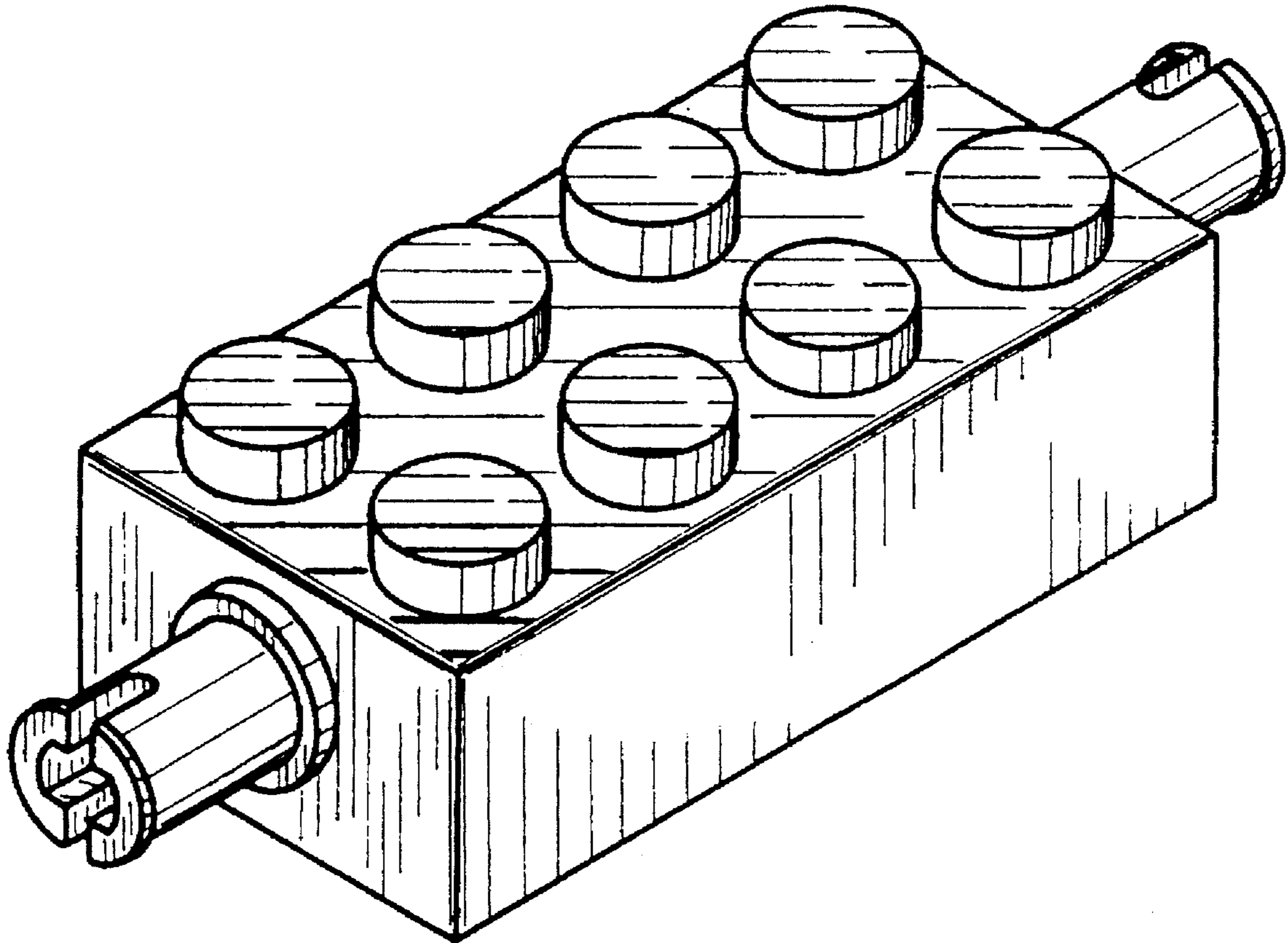
FIG. 6 is a top plan view thereof.

[56] **References Cited**

**U.S. PATENT DOCUMENTS**

D. 309,927	8/1990	Ryaa et al. ....	D21/108
D. 311,942	11/1990	Dideriksen ....	D21/124
D. 317,477	6/1991	Poulsen ....	D21/108
3,094,792	6/1963	Morgan et al. ....	D21/108
3,162,973	12/1964	Christiansen ....	D21/108
3,570,170	3/1971	Kishi ....	446/128
4,552,541	11/1985	Bolli ....	446/128

**1 Claim, 2 Drawing Sheets**



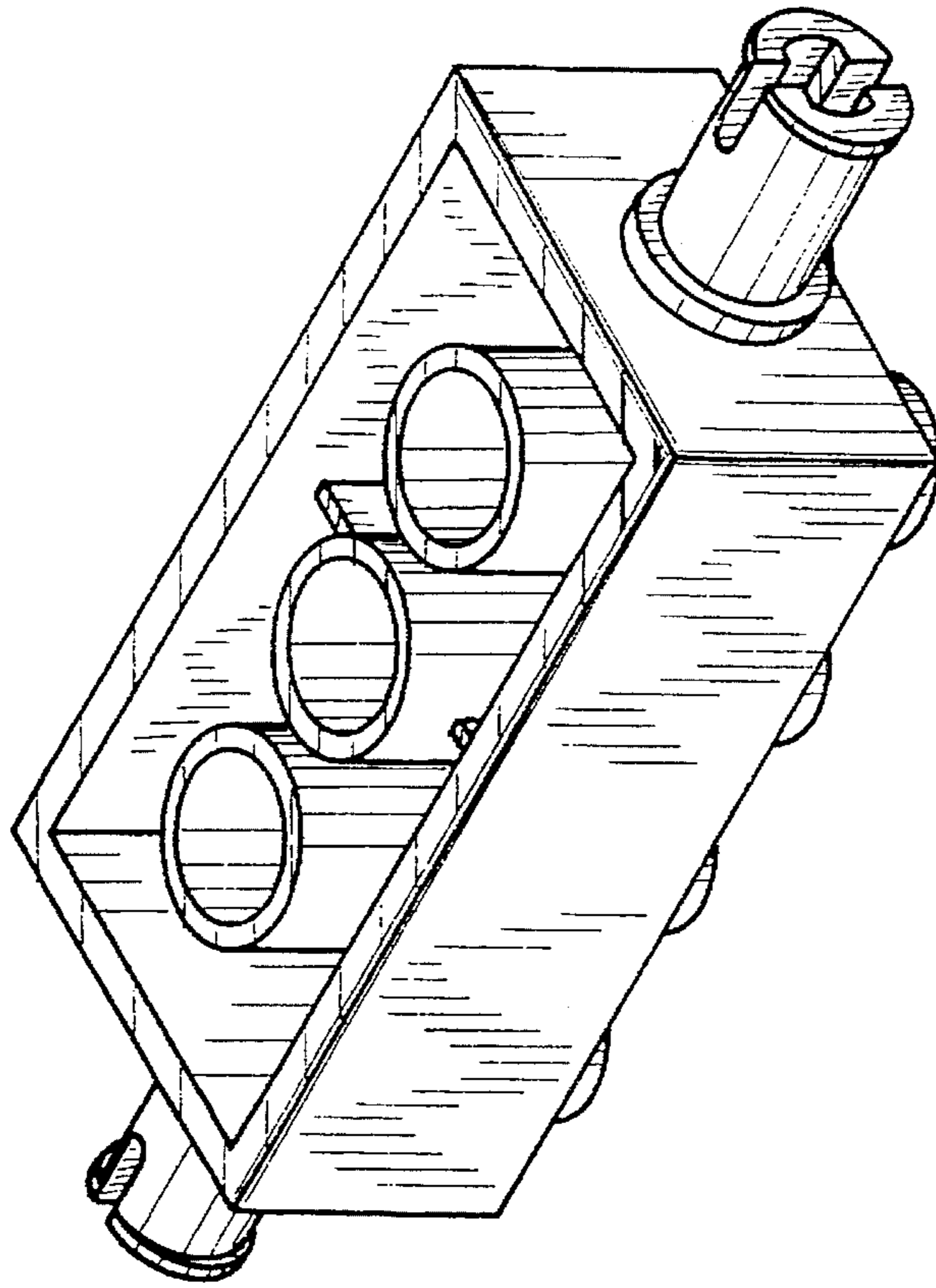


FIG. 1

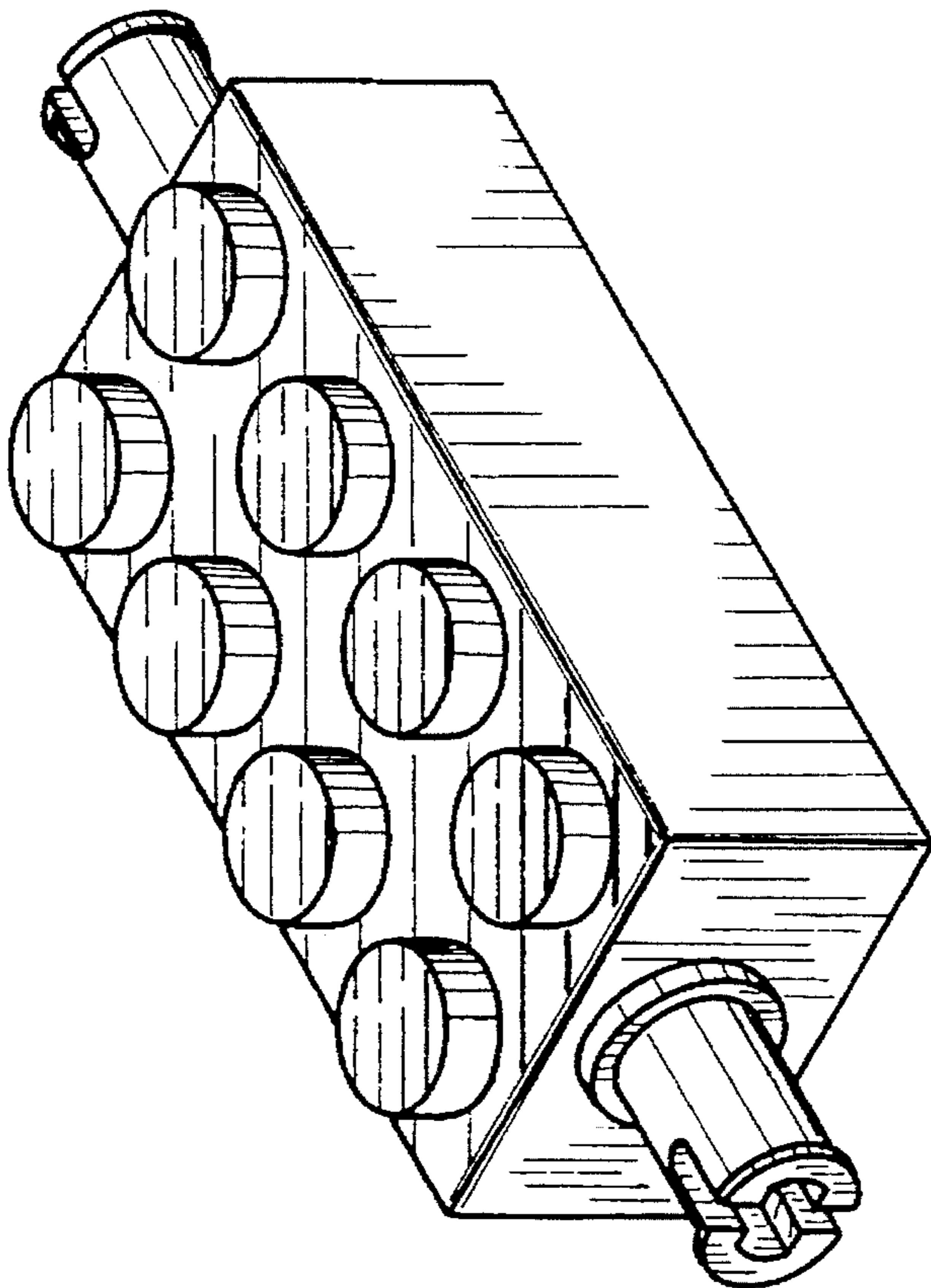


FIG. 2

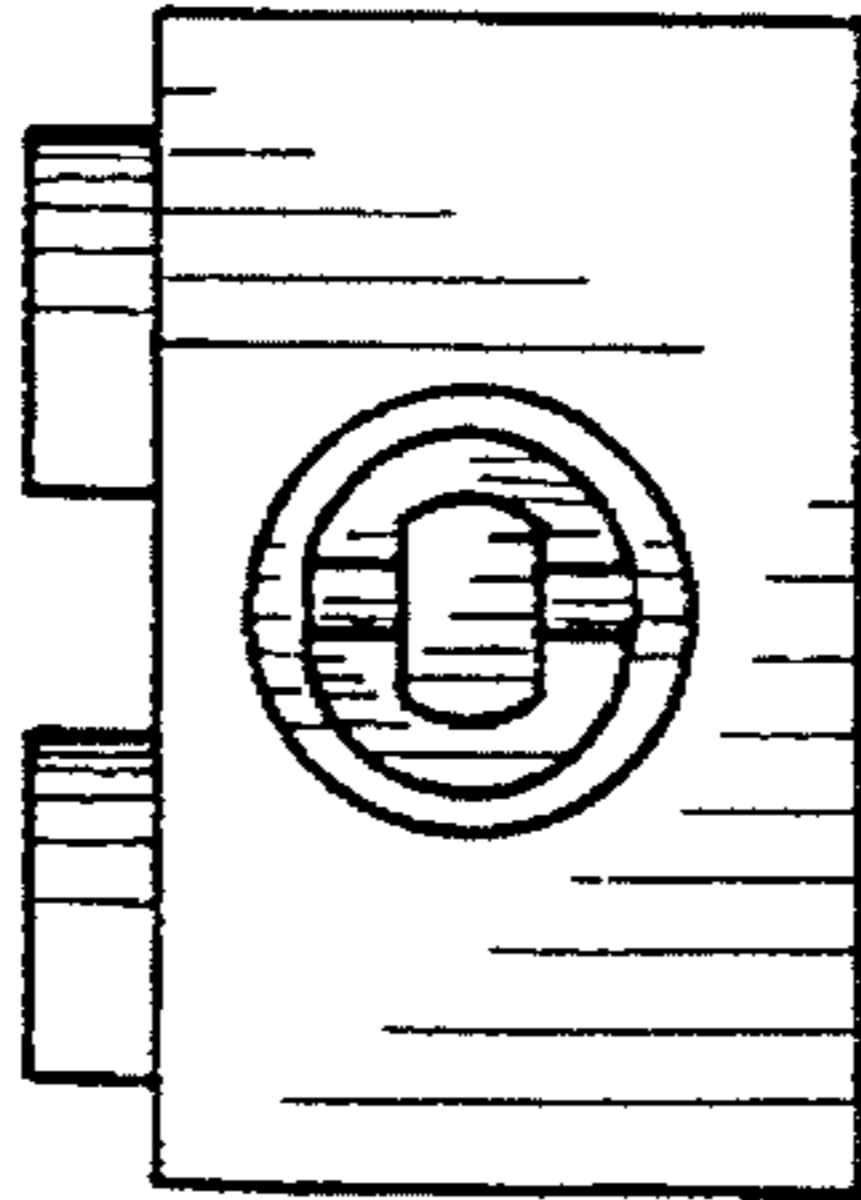


FIG. 3

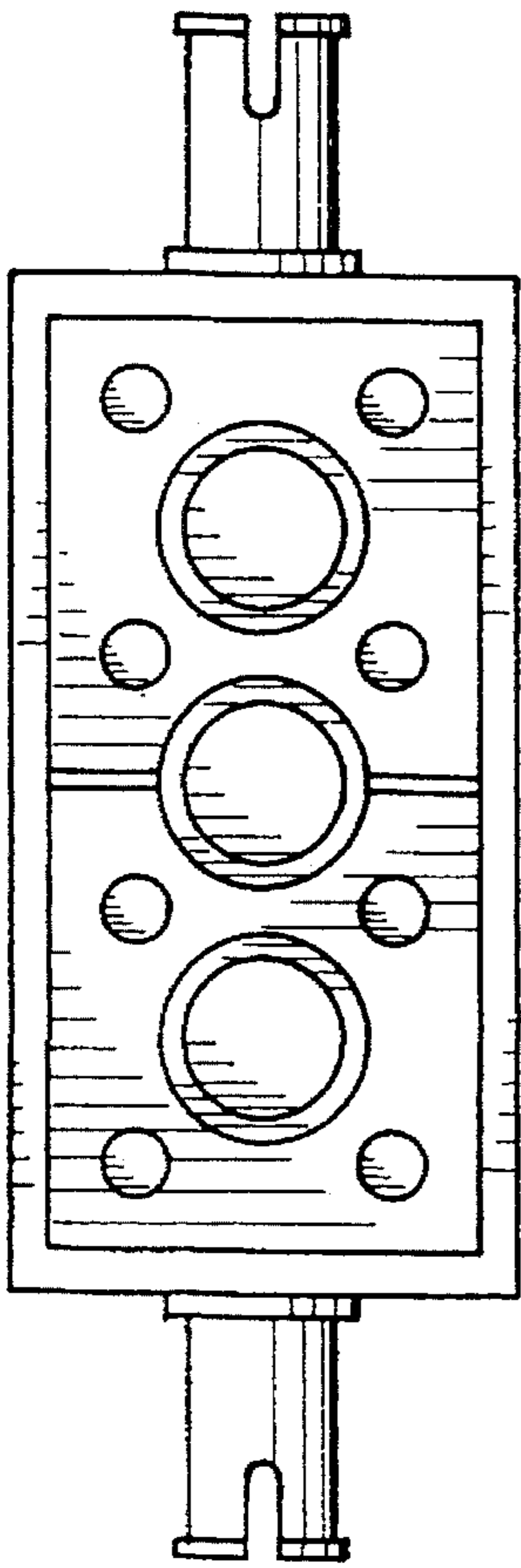


FIG. 5

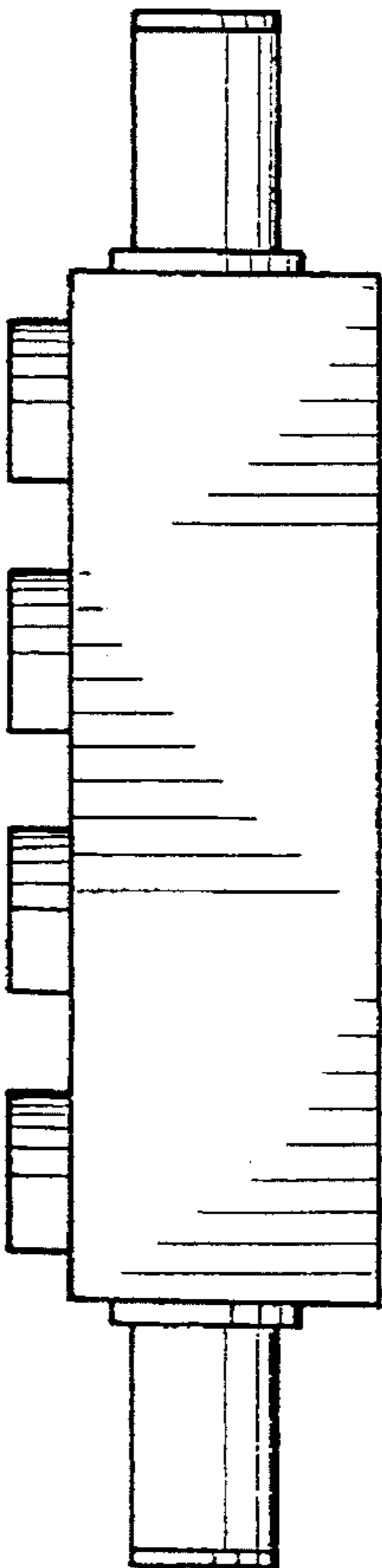


FIG. 4

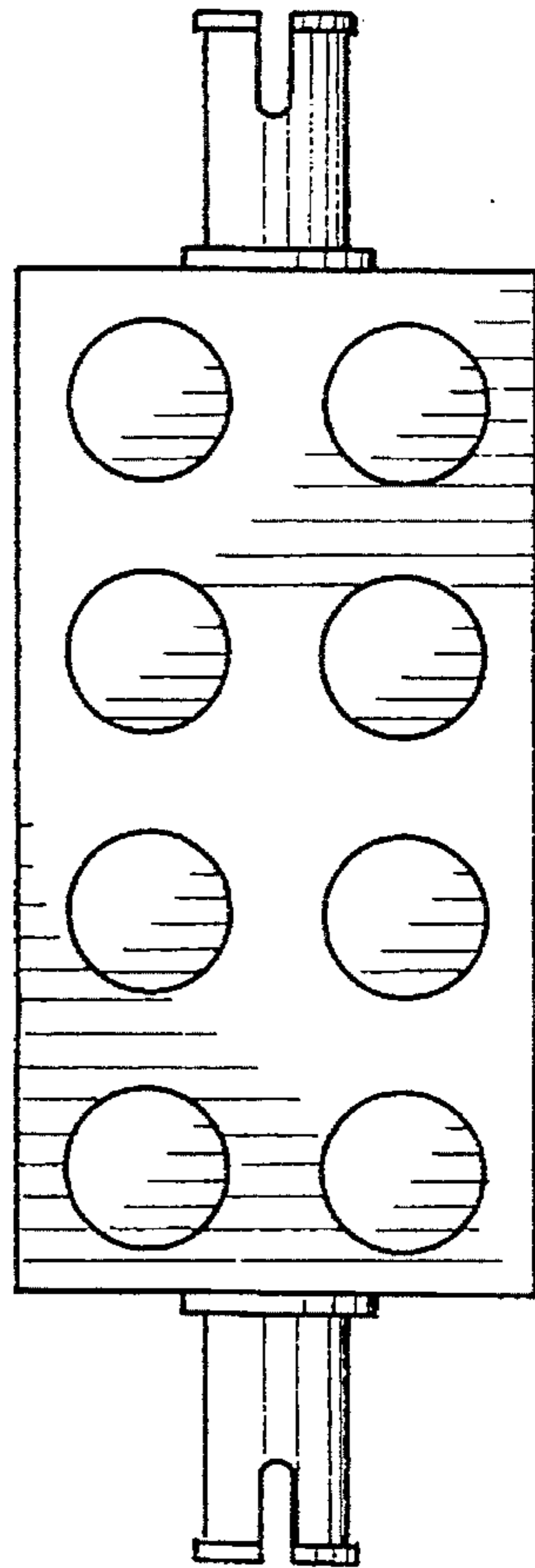


FIG. 6