



US00D362872S

United States Patent [19]

[11] **Patent Number:** **Des. 362,872**

Chan

[45] **Date of Patent:** ****Oct. 3, 1995**

[54] **JOYSTICK HANDLE**

[76] Inventor: **Wah L. Chan**, Room 1113, Po Tai House, Po Lam Estate, Junk Bay, Hong Kong

[**] Term: **14 Years**

[21] Appl. No.: **28,211**

[22] Filed: **Sep. 7, 1994**

[30] **Foreign Application Priority Data**

Jun. 7, 1994 [GB] United Kingdom 2039546

[52] **U.S. Cl.** **D21/48**; D14/114

[58] **Field of Search** D14/100, 114; D13/158; D21/48; 178/18-19; 200/5 R, 5 A, 6 R, 6 A; 213/148 B; 273/148 B, 438; 345/156-167; 74/471 XY; D34/35; D12/178-179

[56] **References Cited**

U.S. PATENT DOCUMENTS

D. 279,202 6/1985 Kim D21/48

D. 287,255 12/1986 Watson, Jr. D21/48
D. 306,615 3/1990 Hayes D14/114 X
D. 330,020 10/1992 Jung D14/114
D. 340,479 10/1993 Ho D21/48

Primary Examiner—Melanie H. Tung
Attorney, Agent, or Firm—Samuels, Gauthier & Stevens

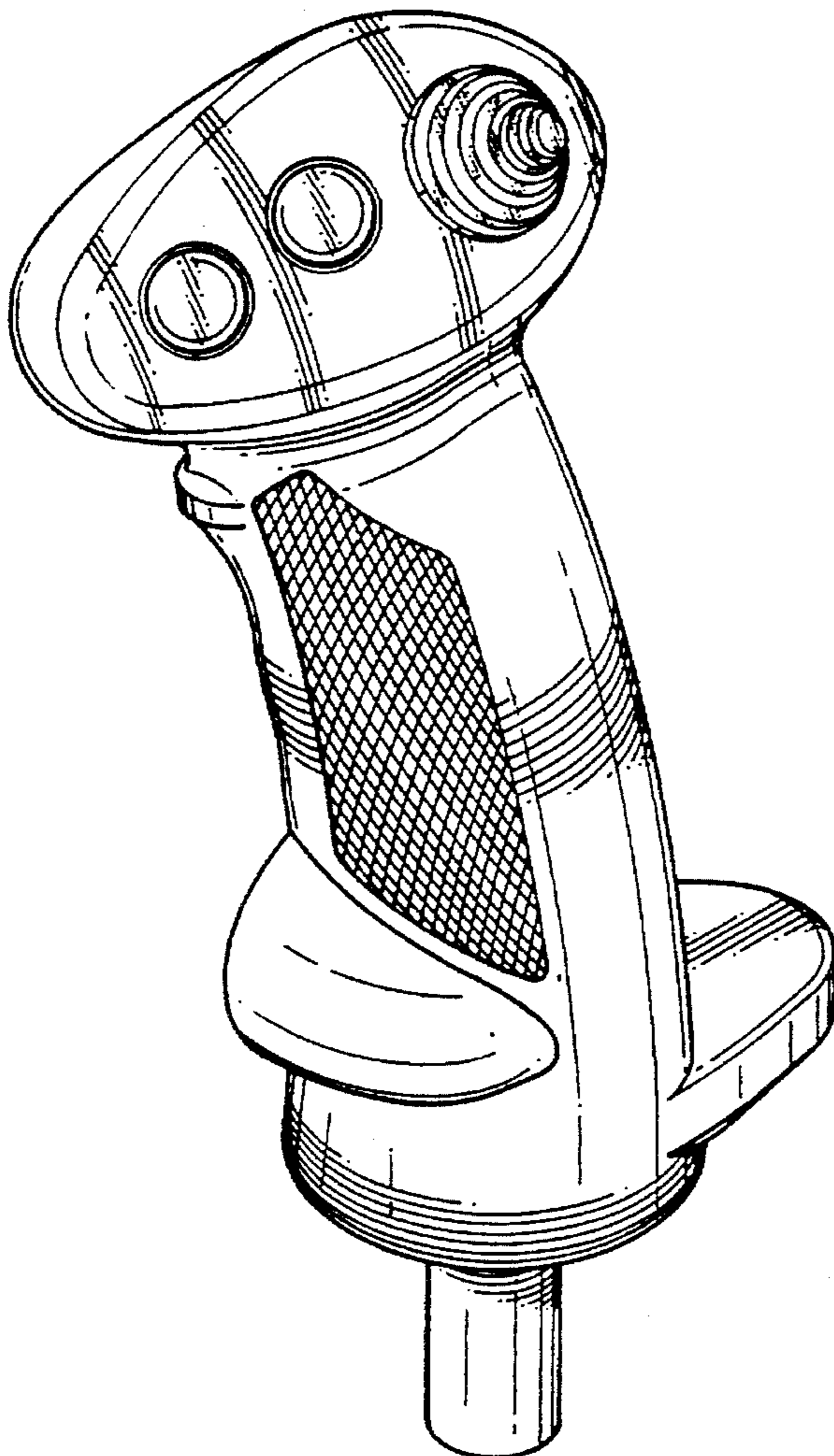
[57] **CLAIM**

The ornamental design for a joystick handle, as shown.

DESCRIPTION

FIG. 1 is a perspective view of a joystick handle showing my new design;
FIG. 2 is a front elevational view thereof;
FIG. 3 is a rear elevational view thereof;
FIG. 4 is a left side view thereof;
FIG. 5 is a right side view thereof;
FIG. 6 is a top plan view thereof; and,
FIG. 7 is a bottom plan view thereof.

1 Claim, 4 Drawing Sheets



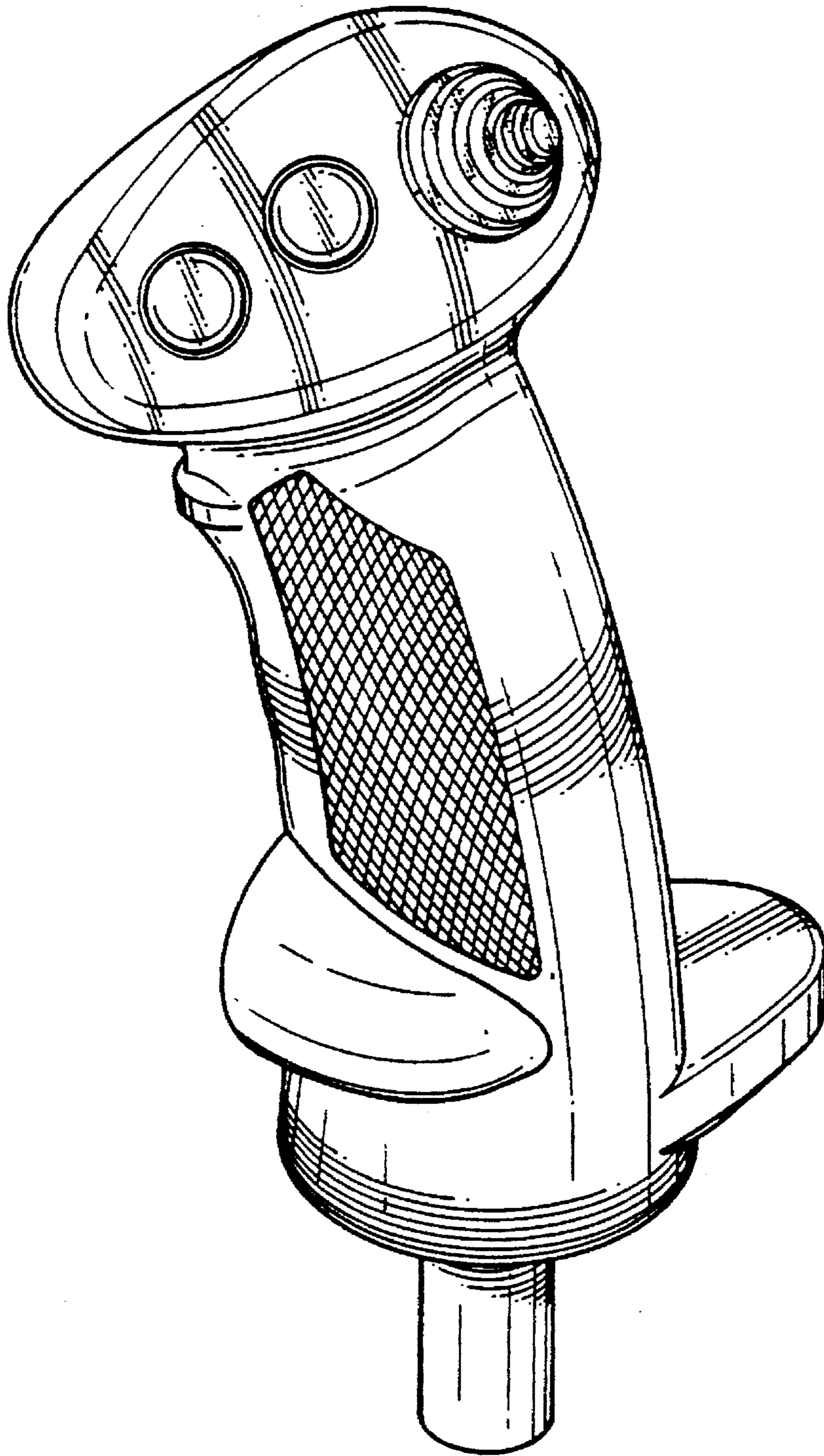


FIG. 1

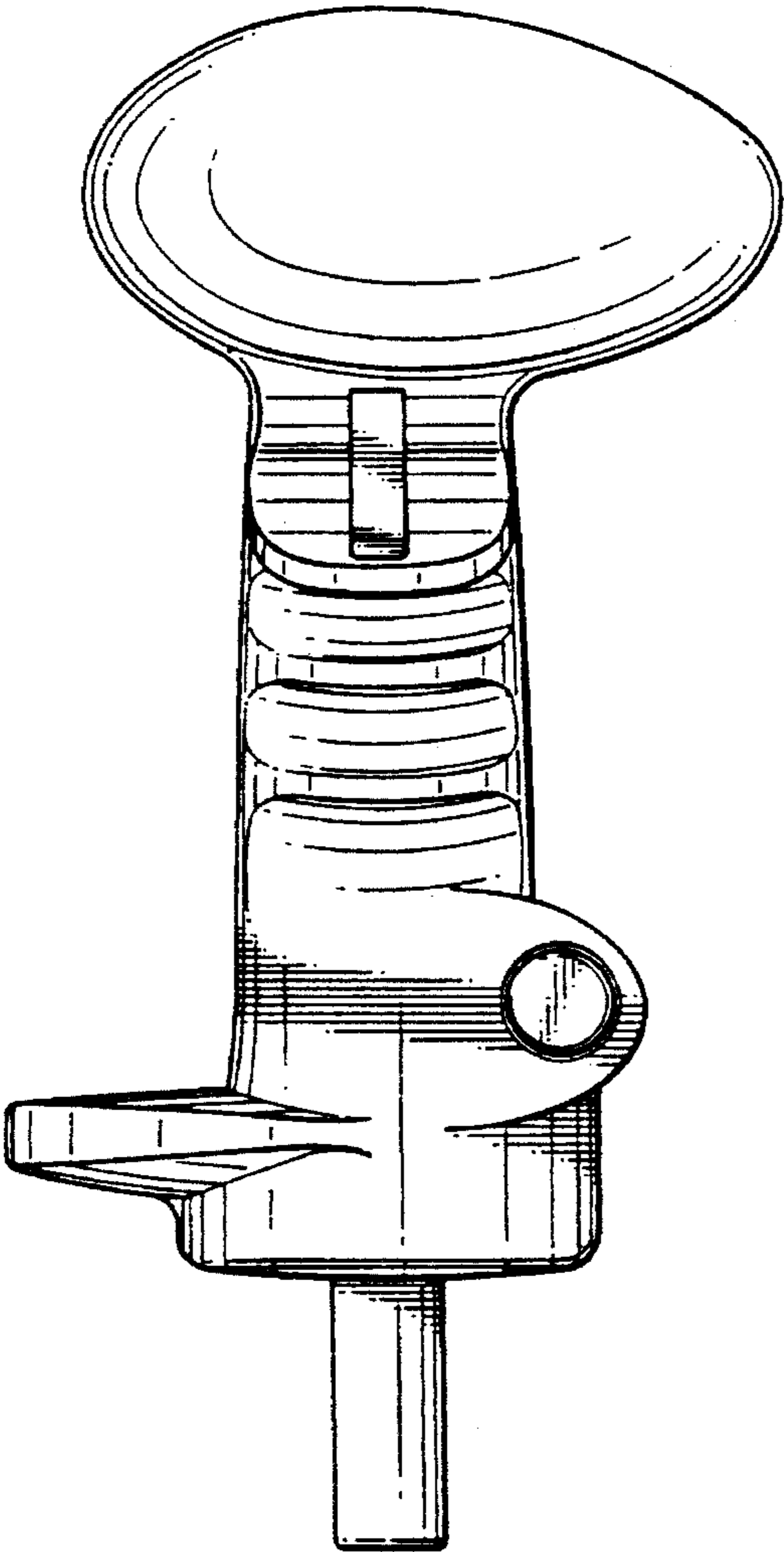


FIG. 2

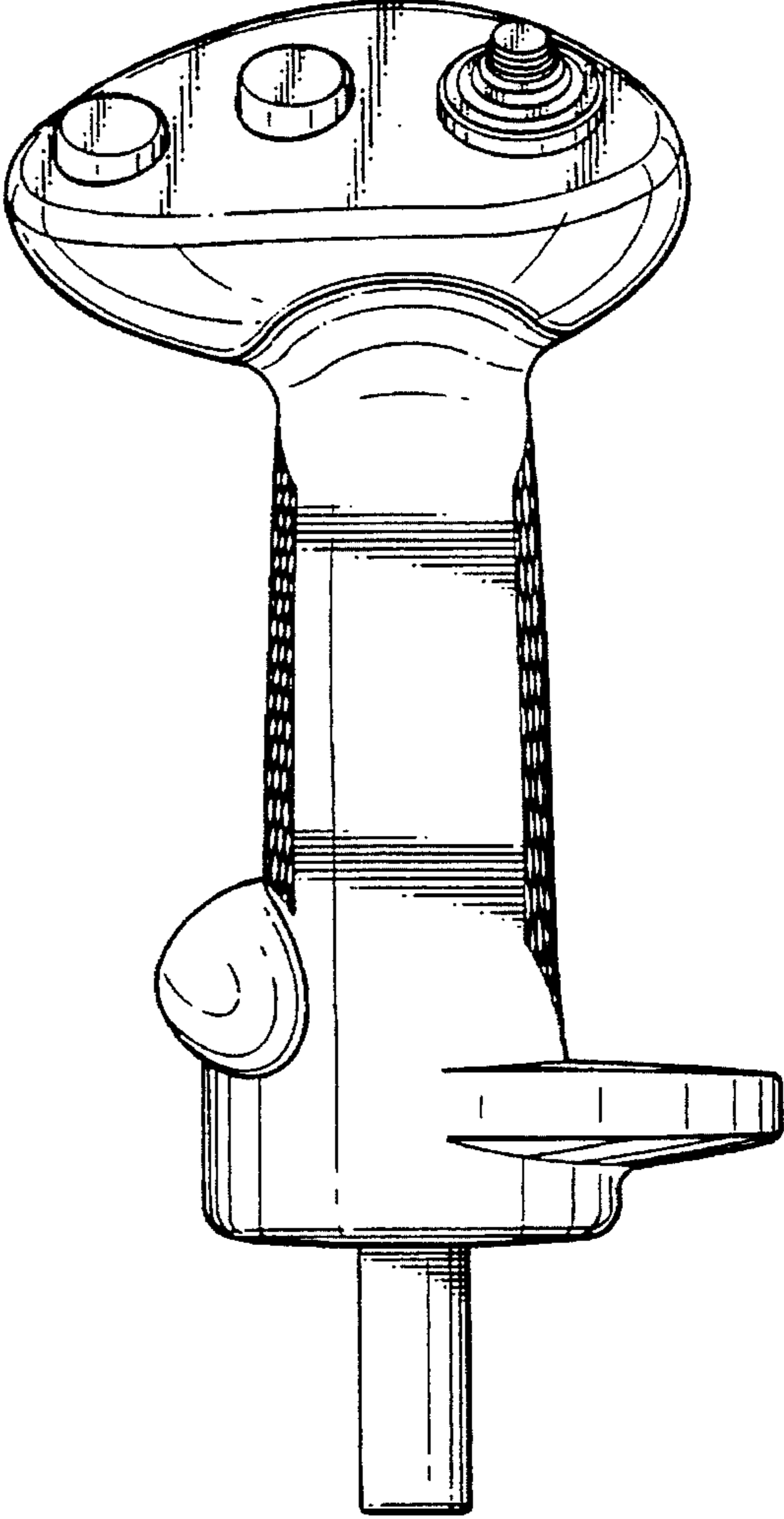


FIG. 3

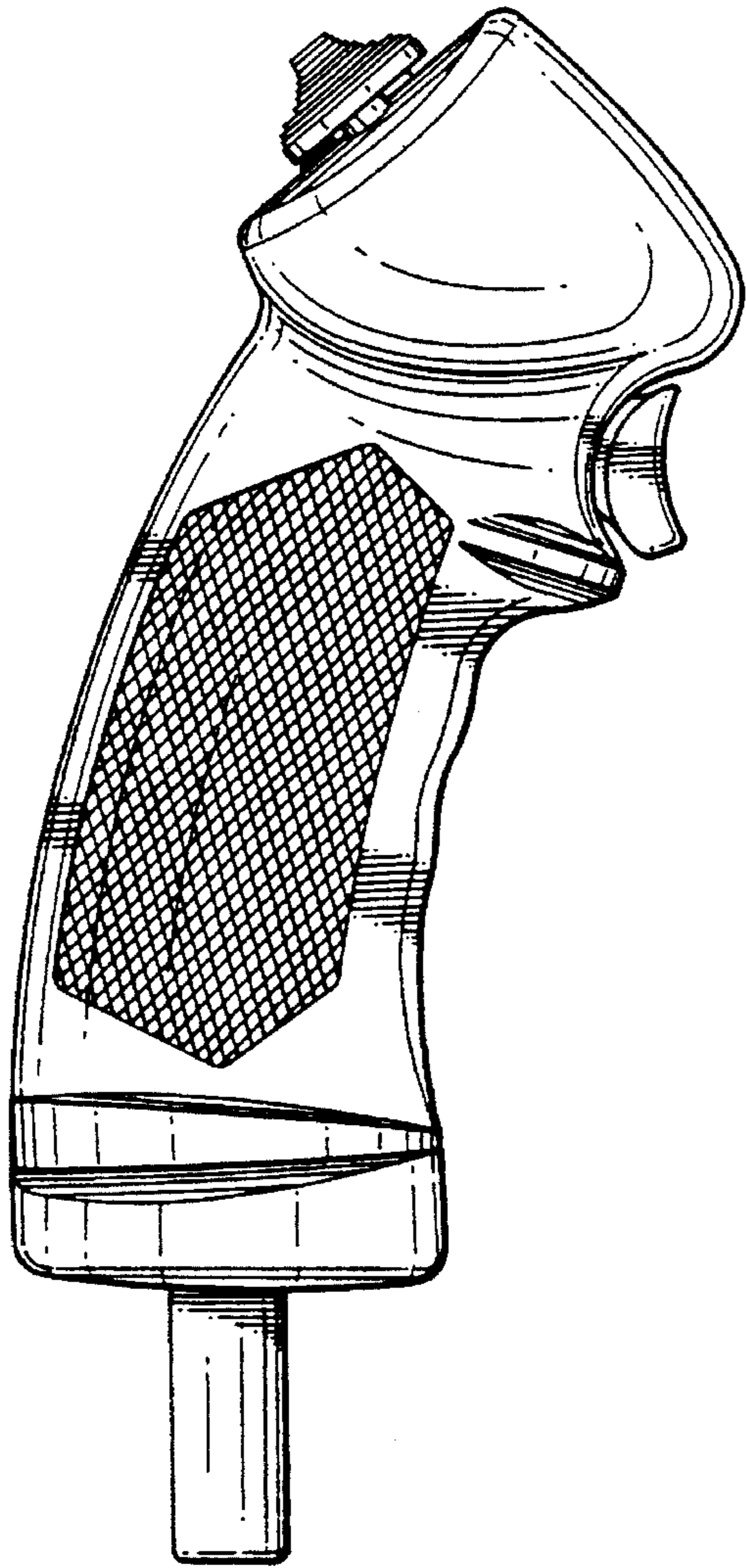


FIG. 4

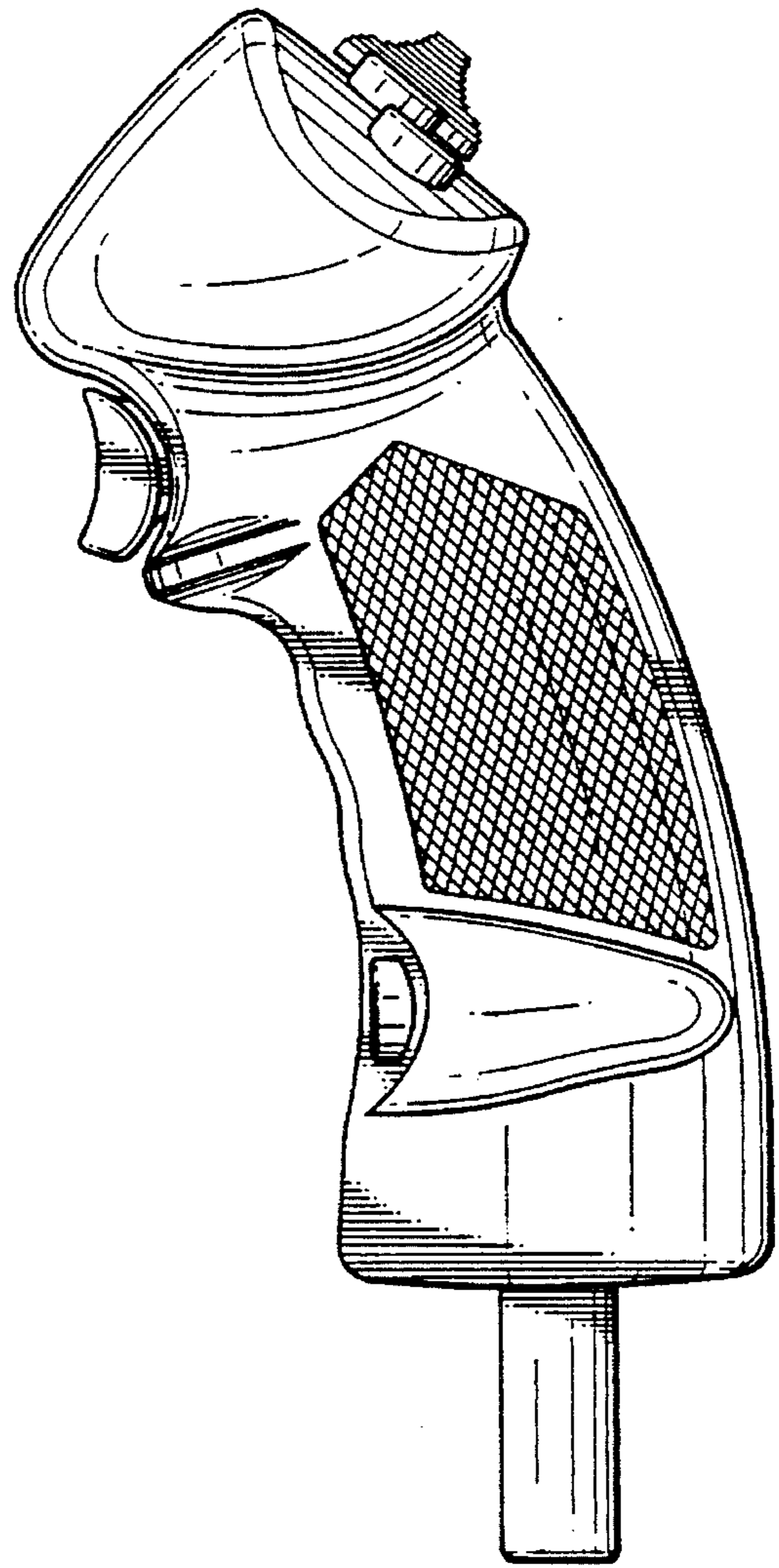


FIG. 5

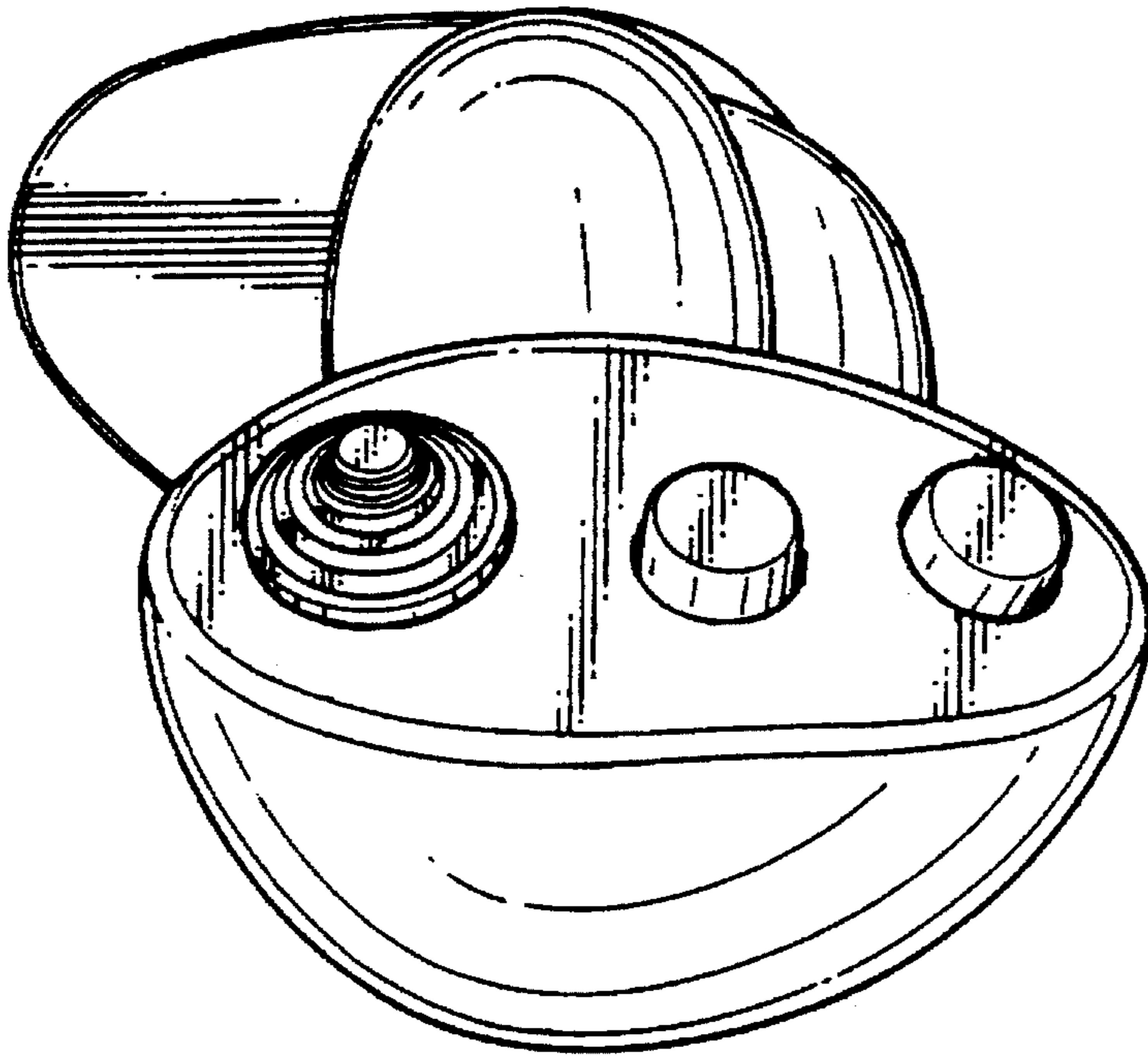


FIG. 6

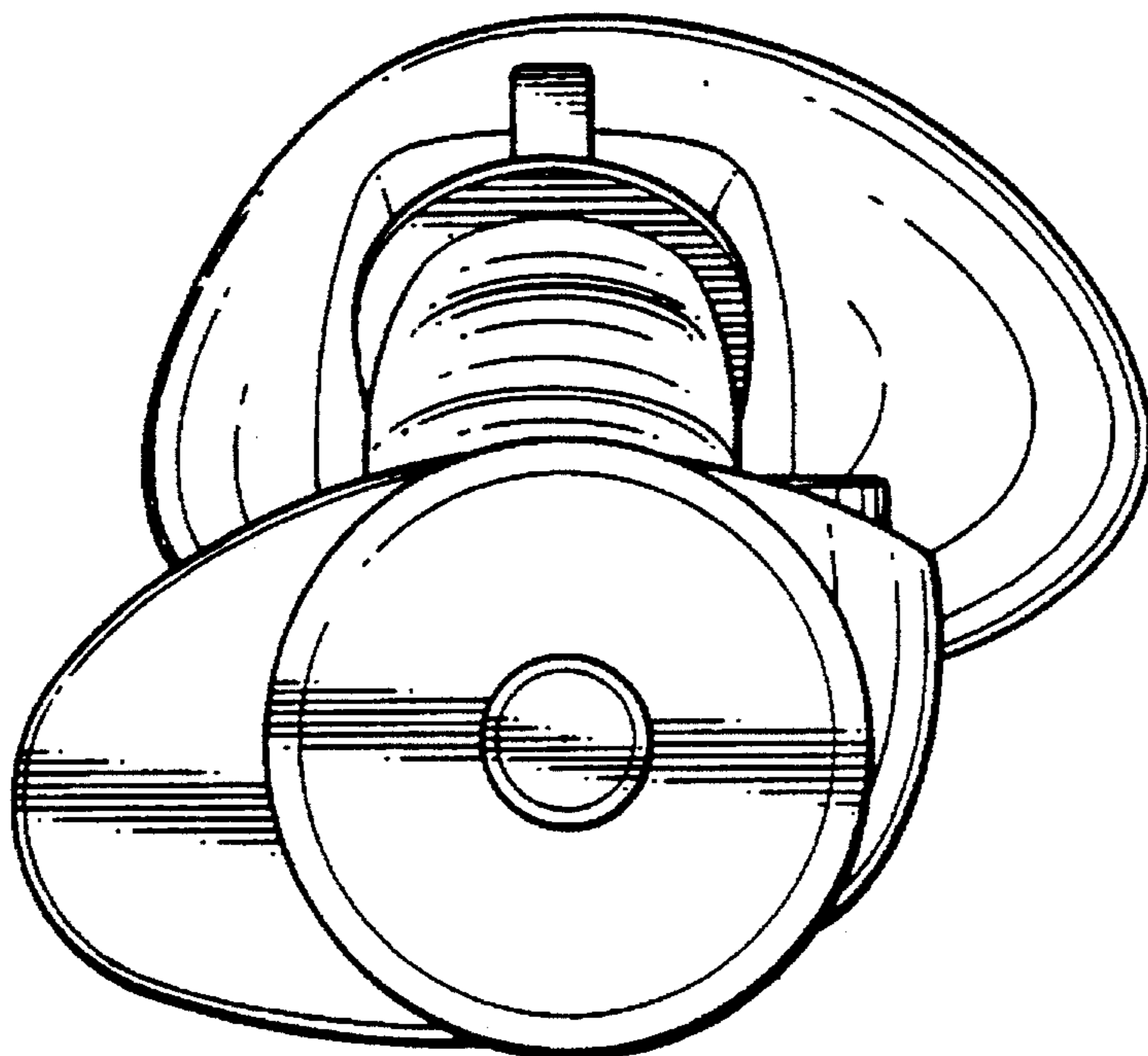


FIG. 7