



US00D362867S

# United States Patent [19]

[11] Patent Number: **Des. 362,867**

Mori

[45] Date of Patent: **\*\*Oct. 3, 1995**

[54] **PUNCH**

[75] Inventor: **Chuzo Mori**, Tokyo, Japan

[73] Assignee: **Carl Jimuki Kabushiki Kaisha**,  
Tokyo, Japan

[\*\*] Term: **14 Years**

[21] Appl. No.: **32,089**

[22] Filed: **Dec. 5, 1994**

[30] **Foreign Application Priority Data**

Jun. 9, 1994 [JP] Japan ..... 6-16987

[52] U.S. Cl. .... **D19/72; D19/65; D8/98**

[58] Field of Search ..... D8/98, 300, 306;  
D19/65, 69, 72, 95, 99, 100; 83/167, 454,  
465, 467, 560, 588, 618, 620, 633

[56] **References Cited**

**U.S. PATENT DOCUMENTS**

D. 132,970	7/1942	Budlong .....	D19/72
D. 251,600	4/1979	MacGregor .....	D19/72
D. 256,479	8/1980	Manusch .....	D19/72
D. 283,631	4/1986	Miller et al. ....	D19/69
D. 289,776	5/1987	Goertz et al. ....	D19/72
D. 300,332	3/1989	Mori .....	D19/72
D. 349,301	8/1994	Mori .....	D19/72
4,594,927	6/1986	Mori .....	83/620
4,688,457	8/1987	Neilsen et al. ....	83/468
4,713,995	12/1987	Davi .....	83/167

**FOREIGN PATENT DOCUMENTS**

726574	3/1988	Japan .
776751	12/1989	Japan .
792925	7/1990	Japan .
874352	8/1993	Japan .

**OTHER PUBLICATIONS**

Jacobs Gardner ©1991, p. 789, item C.  
 Jacobs Gardner ©1991 p. 791, item E.  
 Fastem "Plaband" brochure date unknown.  
 Rexel "CB 450" brochure date unknown.  
 Rexel "CB 400" brochure date unknown.  
 Rexel "CB 350" brochure date unknown.  
 Jacobs Gardner Office Products, 1991, see p. 791, circled punch, upper left.  
 Jacobs Gardner Office Products 1991, see p. 787, circled punch, upper left.  
 Jacobs Gardner Office Products, 1991, see p. 792, circled Punchodex Multimatic top center.  
 Jacobs Gardner Office Products, 1991, see p. 915 circled item A, upper left.

*Primary Examiner*—Martie Thompson  
*Attorney, Agent, or Firm*—Oliff & Berridge

[57] **CLAIM**

The ornamental design for a punch, as shown and described.

**DESCRIPTION**

FIG. 1 is a top, right front perspective view of a punch showing my new design;  
 FIG. 2 is a front view of the punch of FIG. 1;  
 FIG. 3 is a left-side view of the punch of FIG. 1;  
 FIG. 4 is a right-side view of the punch of FIG. 1;  
 FIG. 5 is a plan view of the punch of FIG. 1;  
 FIG. 6 is a rear view of the punch of FIG. 1;  
 FIG. 7 is a bottom view of the punch of FIG. 1; and,  
 FIG. 8 is a top, right front perspective view of the punch of FIG. 1, the sheet of paper depicted by means of broken lines being shown for illustrative purposes only and forming no part of the claimed design.

**1 Claim, 3 Drawing Sheets**

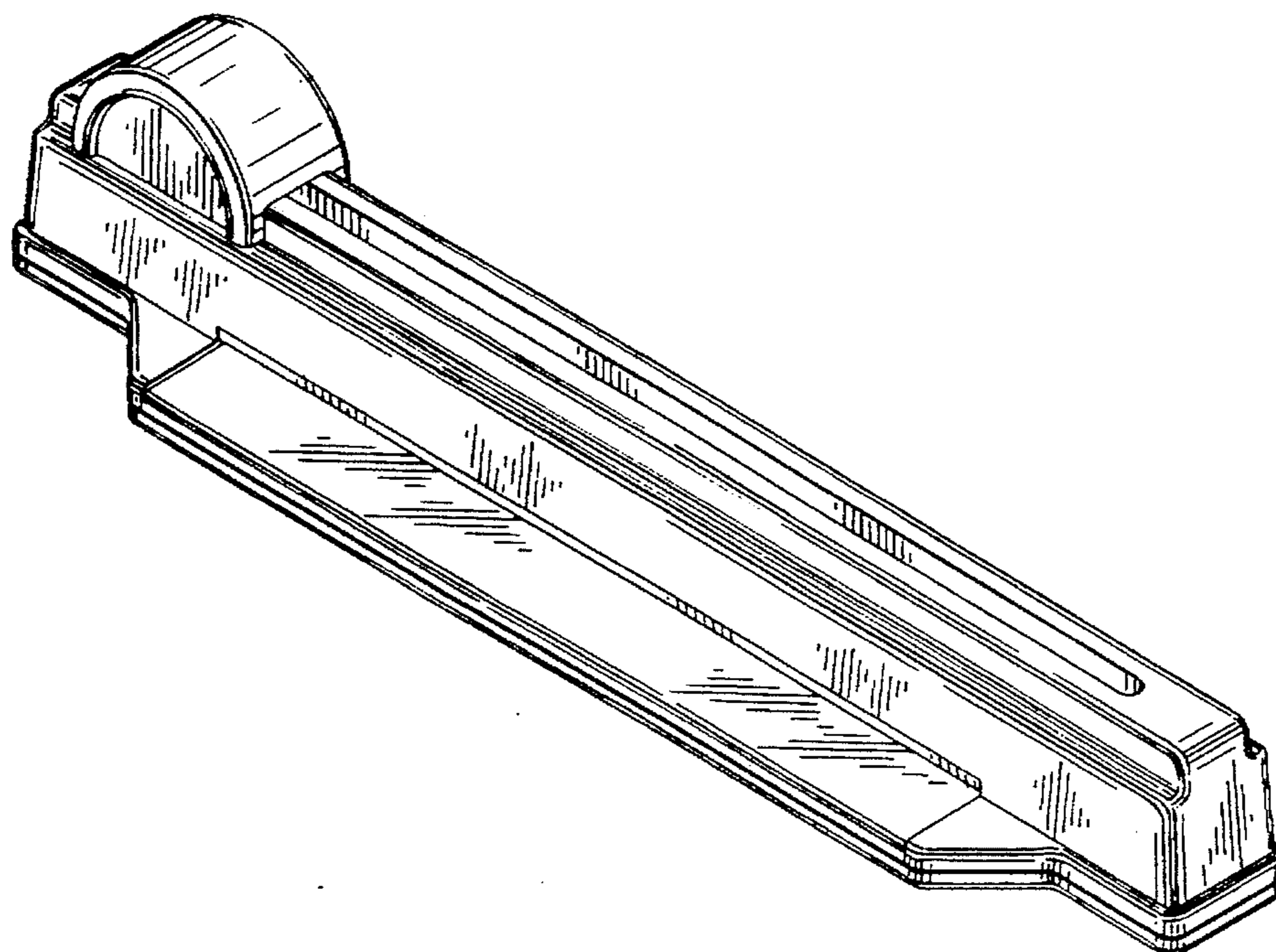


FIG. 1

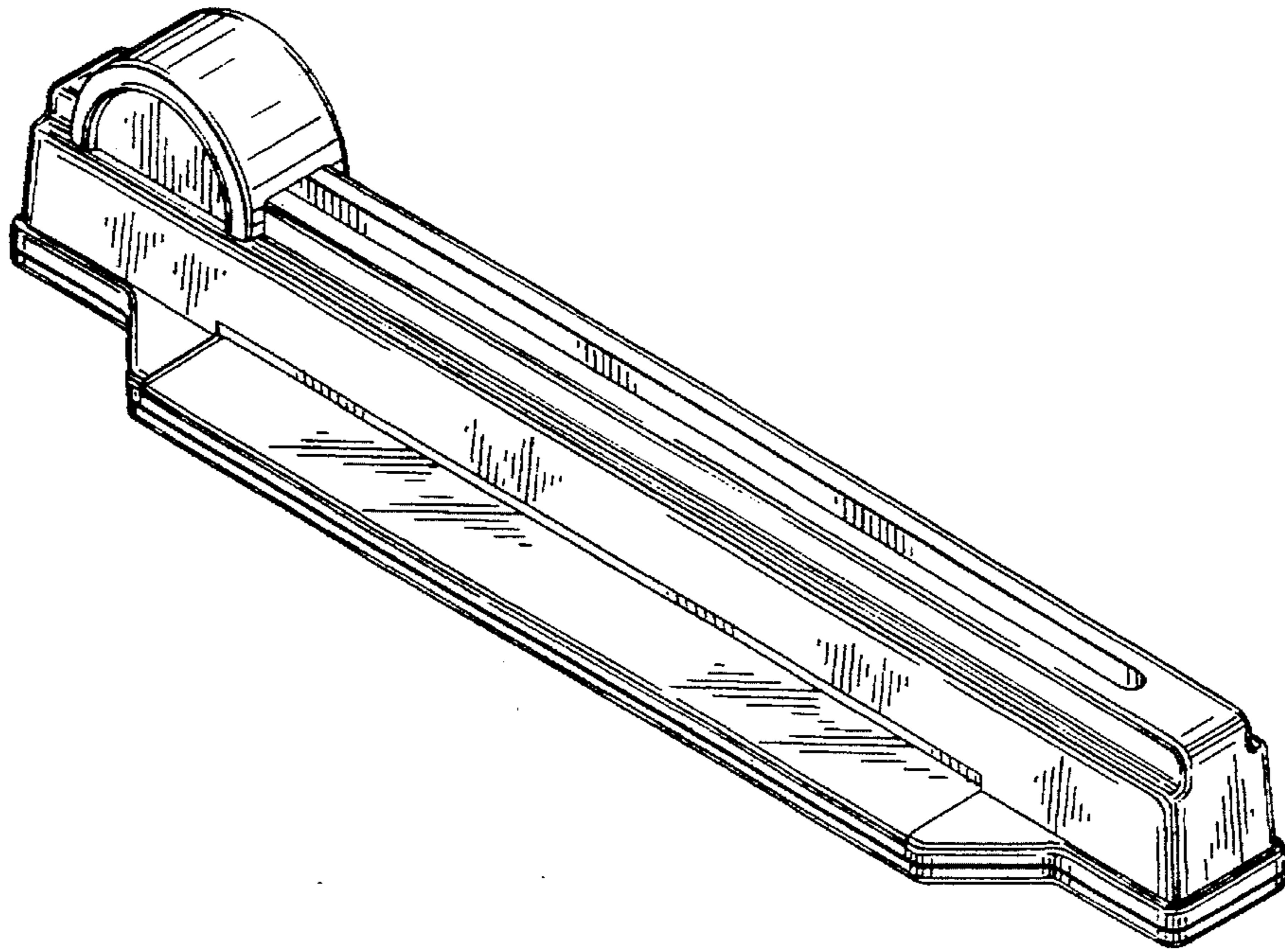


FIG. 2

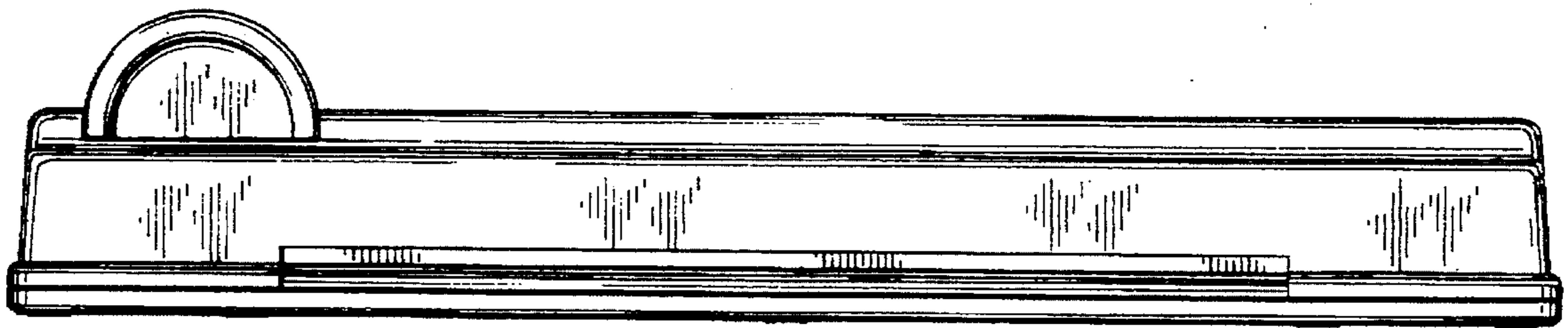


FIG. 3

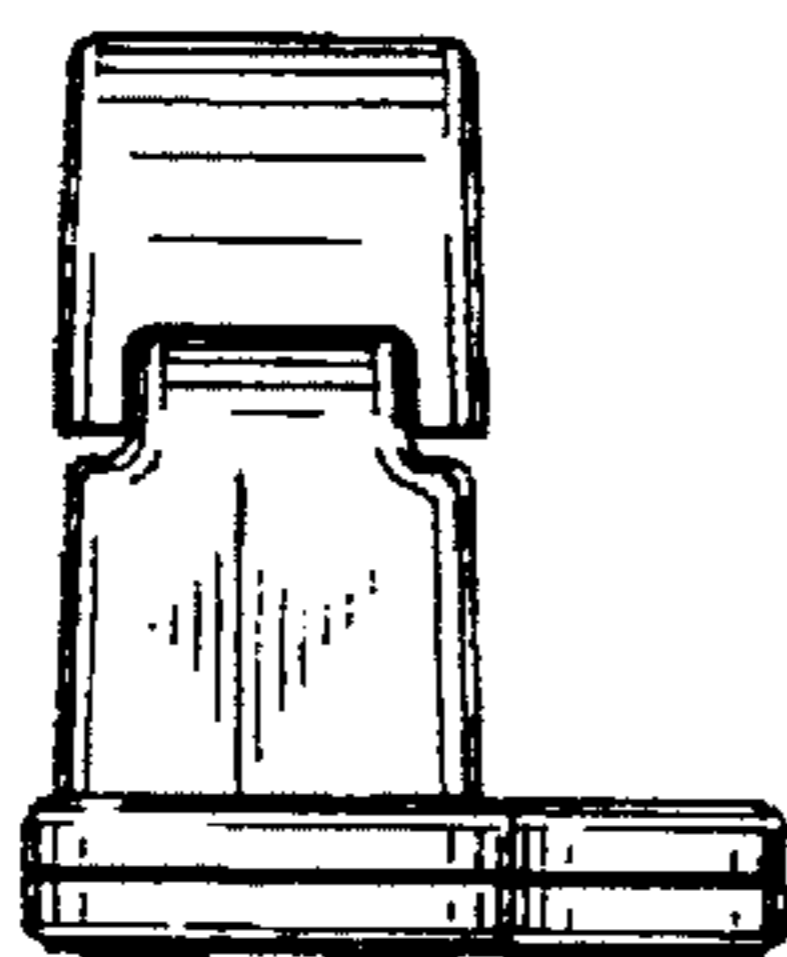


FIG. 4

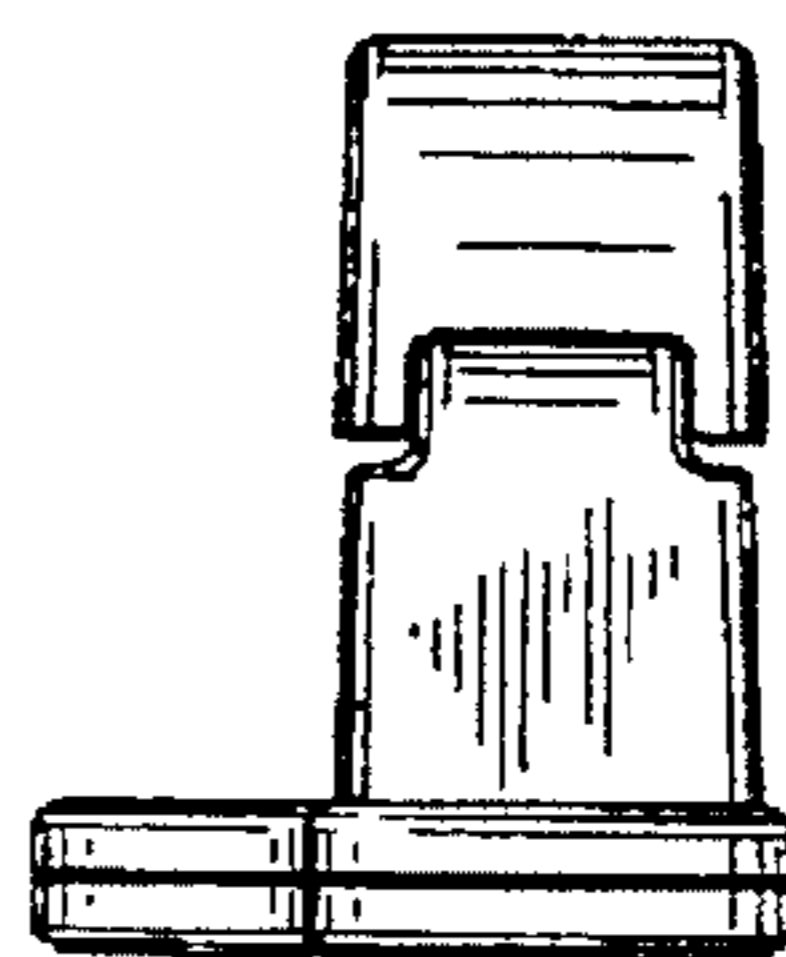


FIG. 5

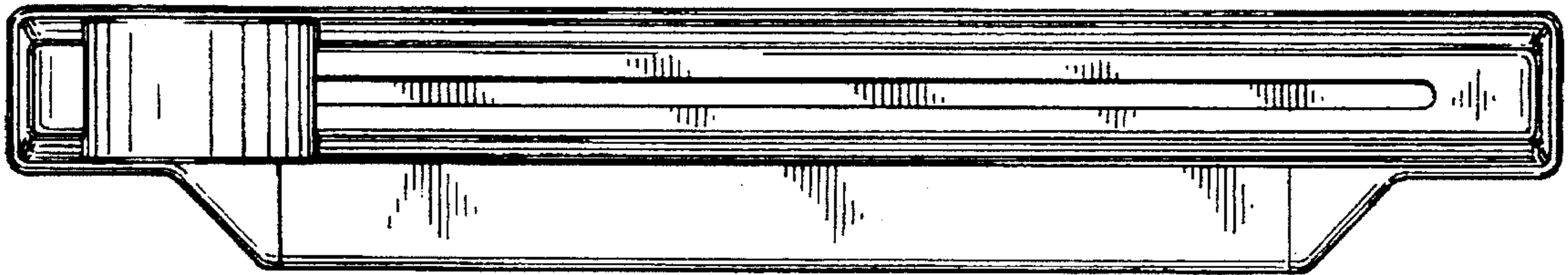


FIG. 6

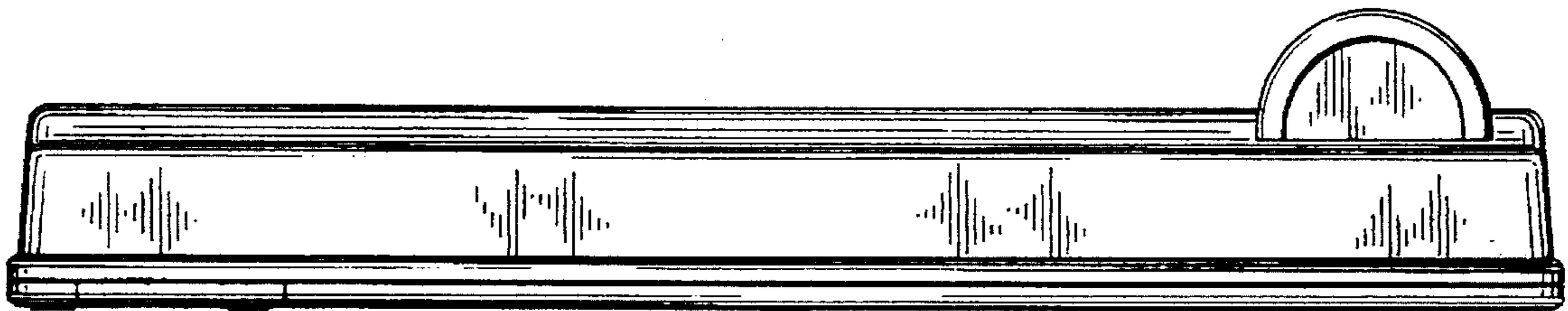


FIG. 7

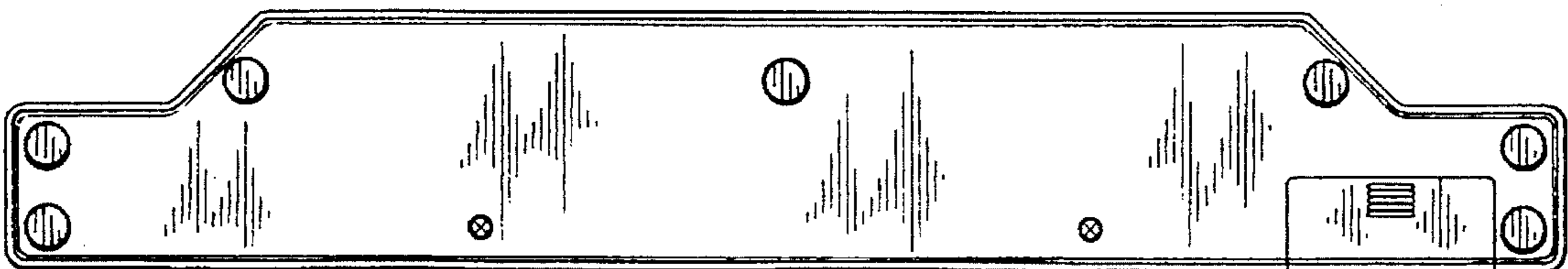




FIG. 8

