



US00D362866S

**United States Patent** [19]  
**Johansson**

[11] **Patent Number:** **Des. 362,866**  
[45] **Date of Patent:** **\*\*Oct. 3, 1995**

[54] **DOCUMENT SHREDDER**

[75] Inventor: **Rolf A. G. Johansson**, Partille, Sweden

[73] Assignee: **Ware Invent AB**, Partille, Sweden

[\*\*] Term: **14 Years**

[21] Appl. No.: **14,710**

[22] Filed: **Oct. 29, 1993**

[30] **Foreign Application Priority Data**

Apr. 30, 1993 [SE] Sweden ..... 93-1086

[52] **U.S. Cl.** ..... **D18/34**

[58] **Field of Search** ..... D18/34, 99; D19/72;  
241/236, 169.1, 100; 83/485, 588, 614;  
D15/127

[56] **References Cited**

**U.S. PATENT DOCUMENTS**

D. 272,911	3/1984	Bolton	.....	D15/127
D. 298,435	11/1988	Buteau	.....	D18/34
D. 320,807	10/1991	Krause et al.	.....	D18/34
D. 327,904	7/1992	Silver et al.	.....	D18/34
D. 329,055	9/1992	Krause et al.	.....	D18/34
2,648,365	8/1953	Lacout	.....	241/169.1
3,931,935	1/1976	Holman	.....	241/236
4,194,698	3/1980	Kosmowski	.....	241/236
5,148,995	9/1992	Hurst	.....	241/169.1
5,230,477	7/1993	Strohmeier	.....	241/236
5,238,107	7/1994	Tsai	.....	241/236

**FOREIGN PATENT DOCUMENTS**

917	7/1845	France	.....	241/236
4120707	1/1992	Germany	.....	241/236
421359	8/1974	U.S.S.R.	.....	241/236

*Primary Examiner*—Cathy Anne MacCormac  
*Attorney, Agent, or Firm*—Dvorak and Traub

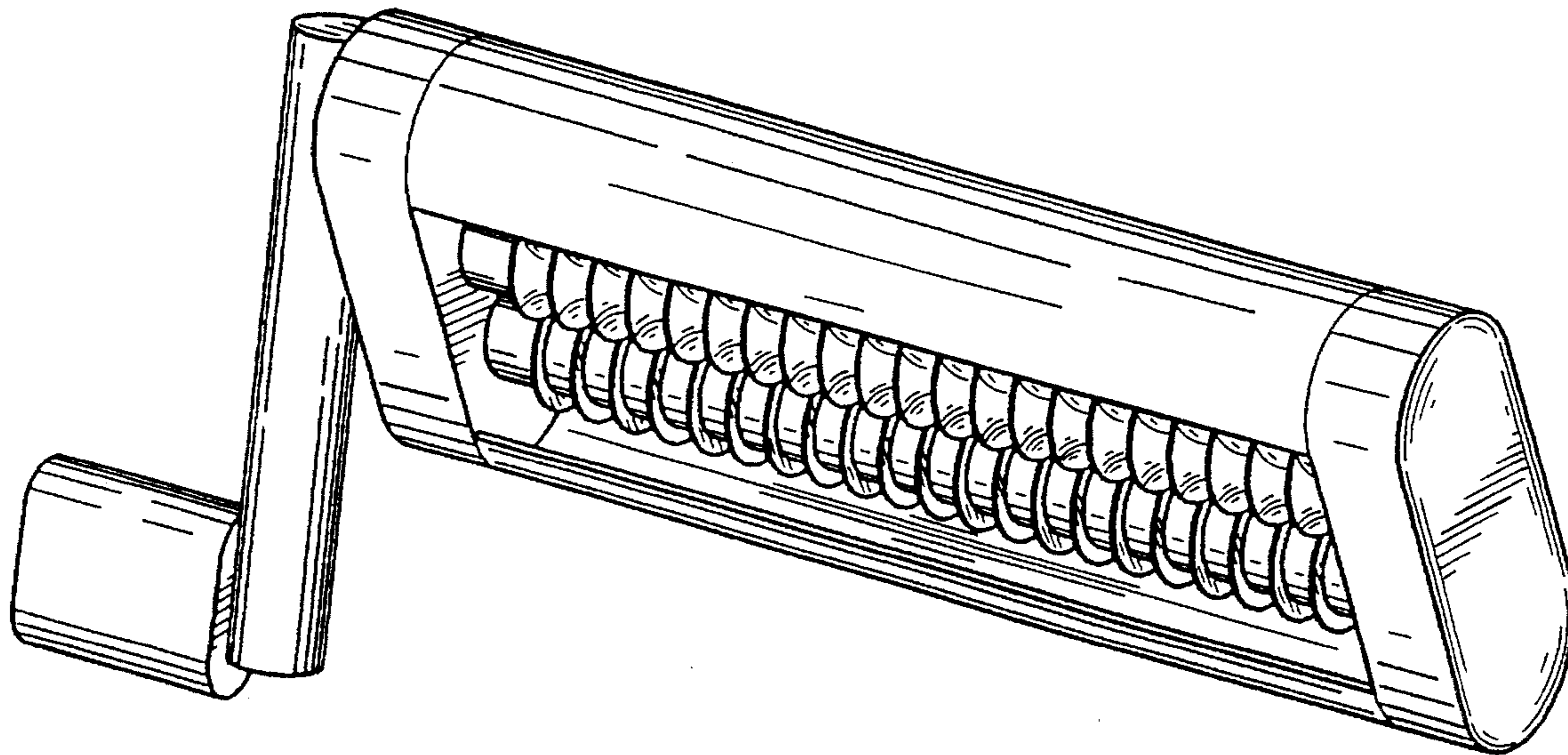
[57] **CLAIM**

The ornamental design for a document shredder, as shown.

**DESCRIPTION**

FIG. 1 is a bottom plan view of a document shredder showing my new design;  
 FIG. 2 is a top plan view thereof;  
 FIG. 3 is a front elevational view thereof;  
 FIG. 4 is a rear elevational view thereof;  
 FIG. 5 is a left side elevational view thereof;  
 FIG. 6 is a right side elevational view thereof;  
 FIG. 7 is an enlarged perspective view of the top and left side thereof;  
 FIG. 8 is an enlarged perspective view of the bottom and right side thereof;  
 FIG. 9 is an enlarged bottom plan view of the shredder body showing the detachable handle removed;  
 FIG. 10 is another perspective view of FIG. 7 showing the detachable handle removed; and,  
 FIG. 11 is another perspective view of FIG. 8 showing the detachable handle removed.

**1 Claim, 3 Drawing Sheets**



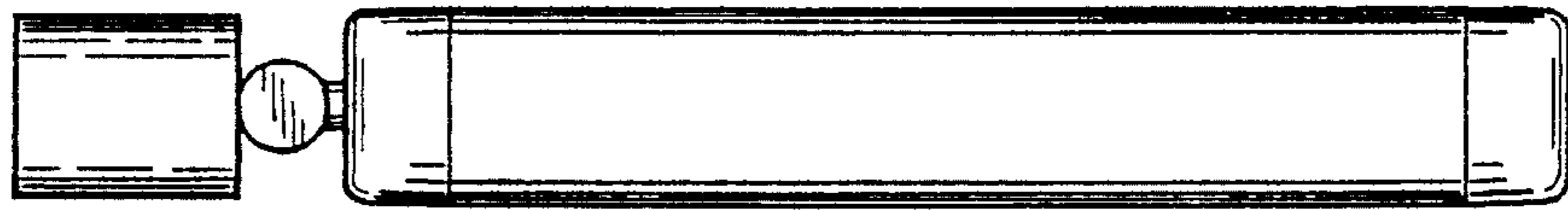


FIG. 3

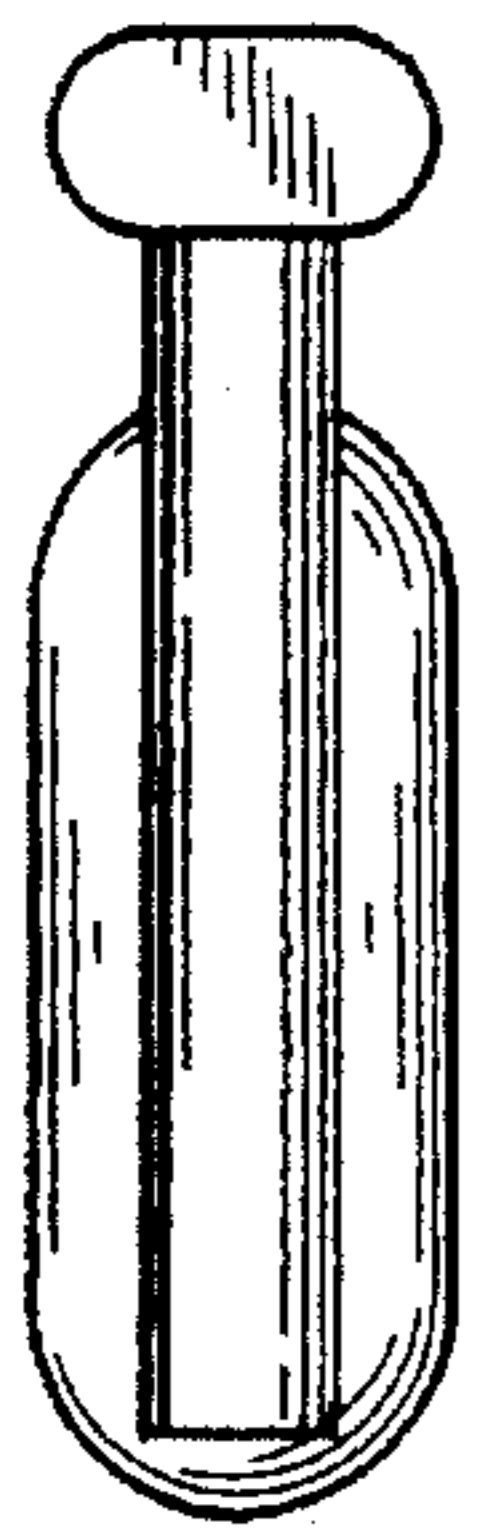


FIG. 5

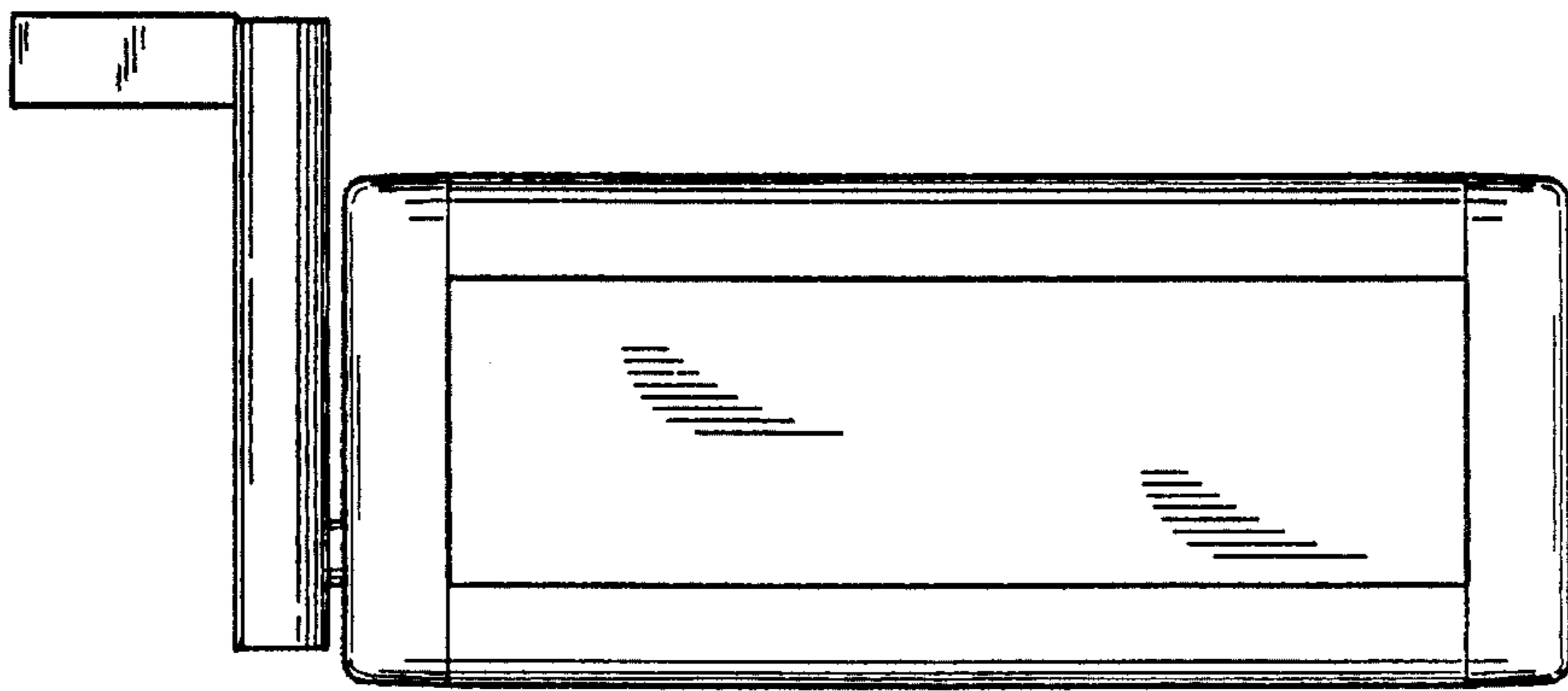


FIG. 2

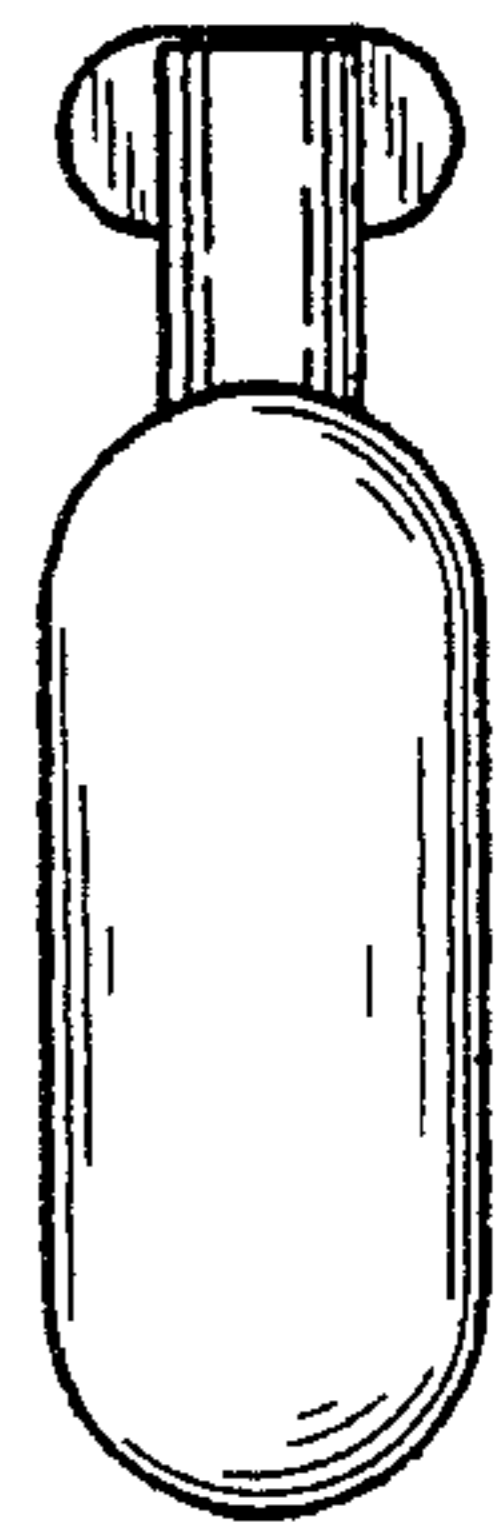


FIG. 6

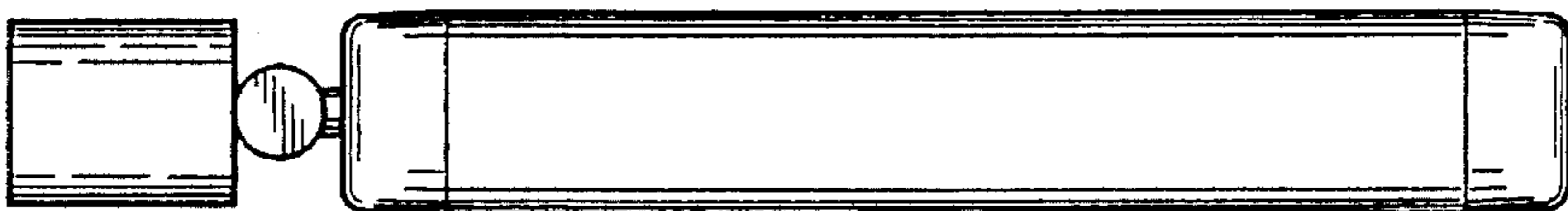


FIG. 4

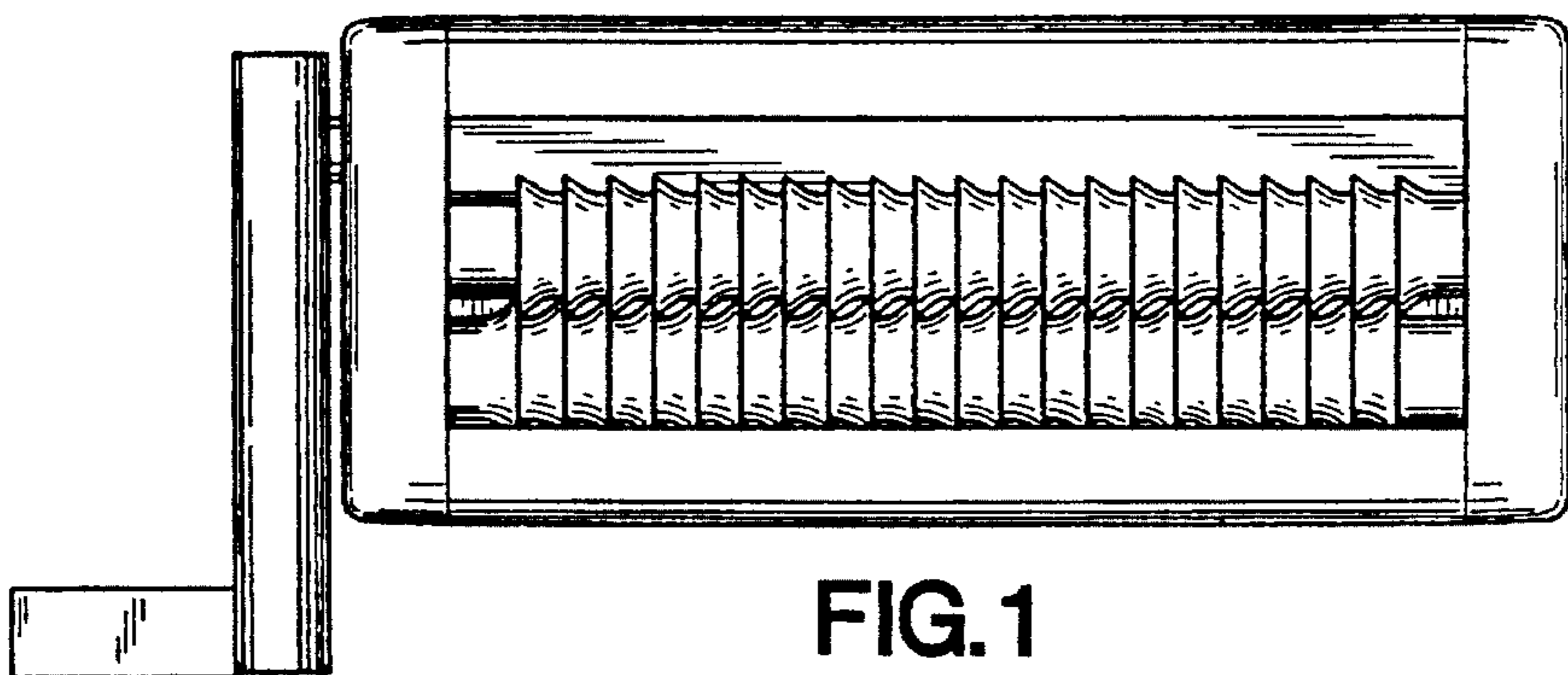


FIG. 1

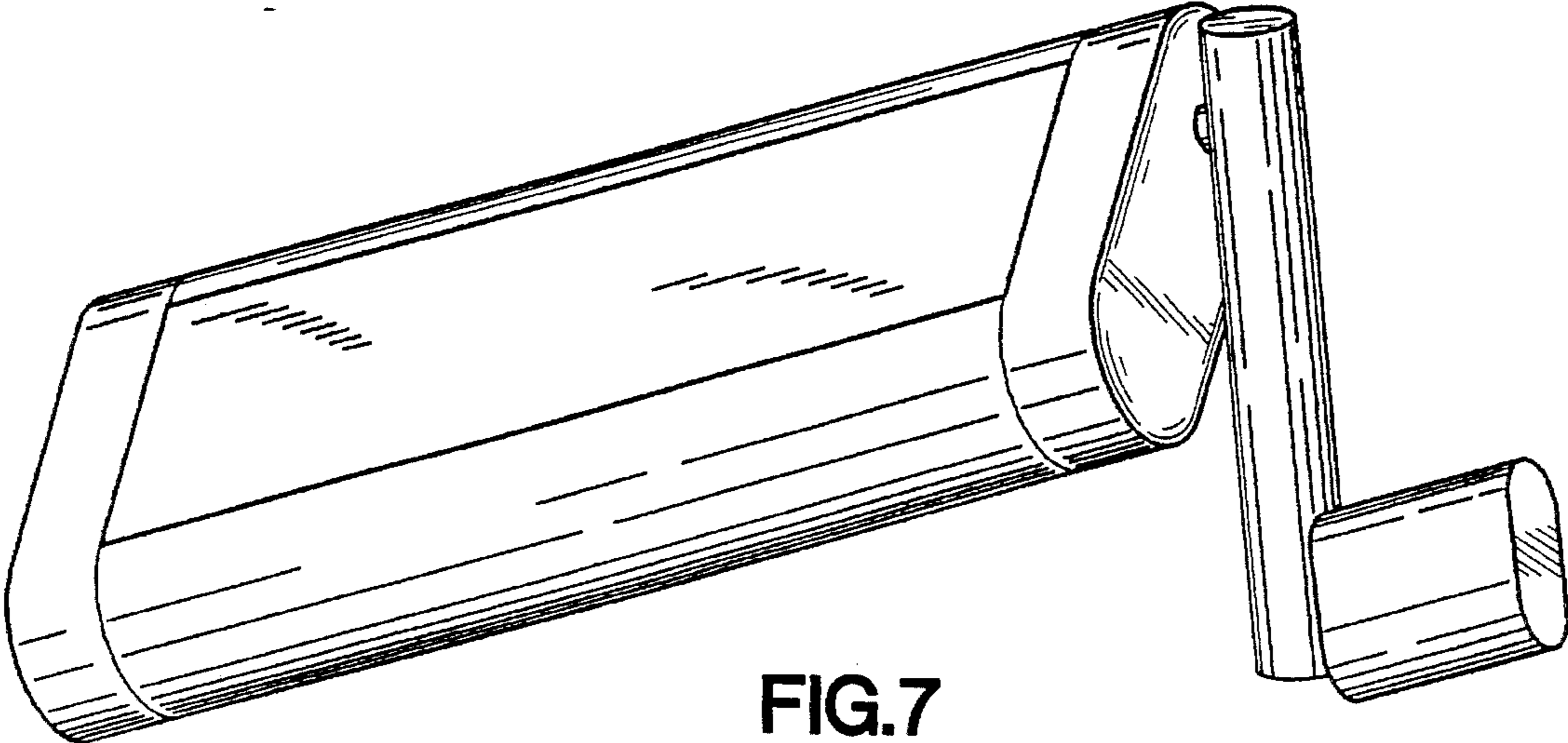


FIG. 7

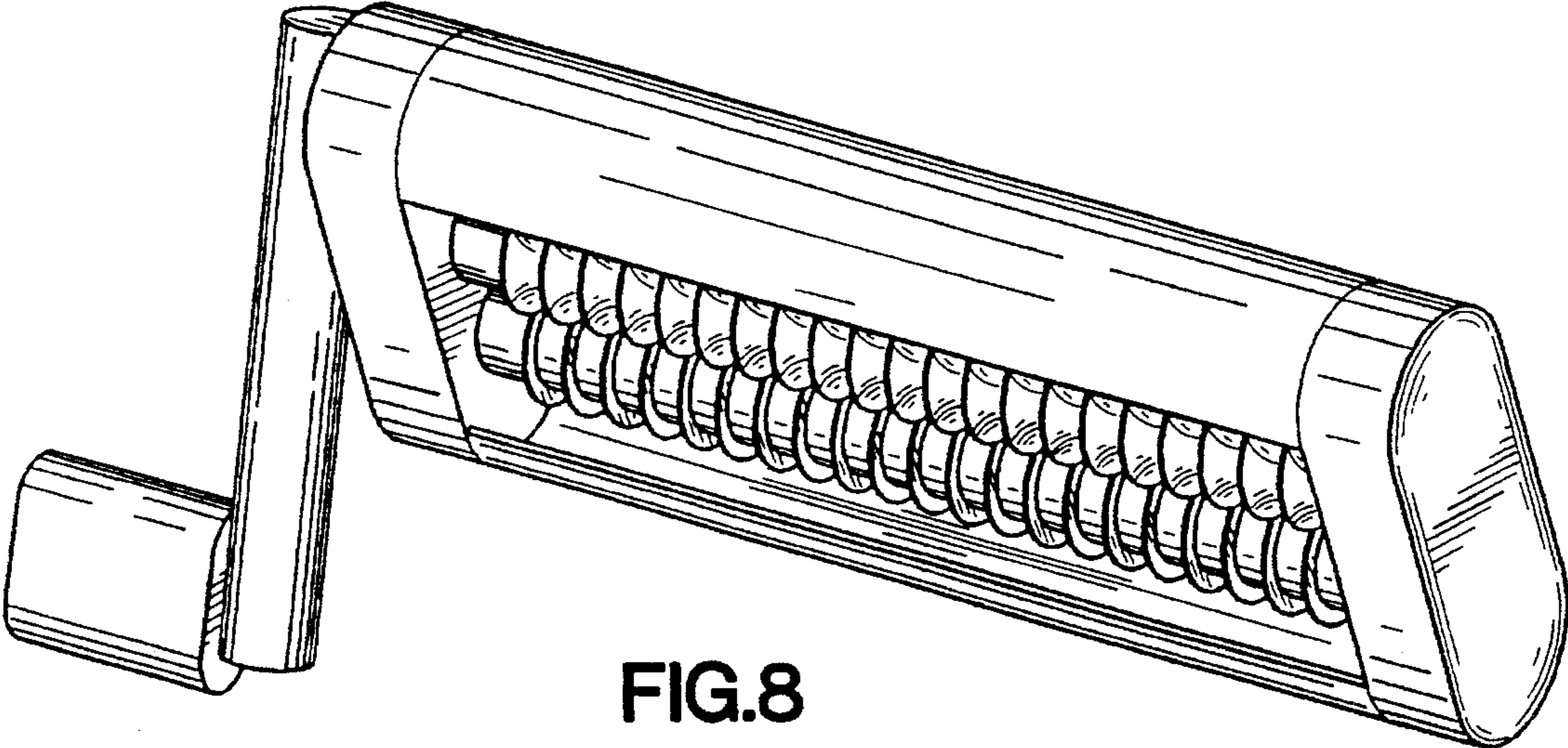


FIG. 8

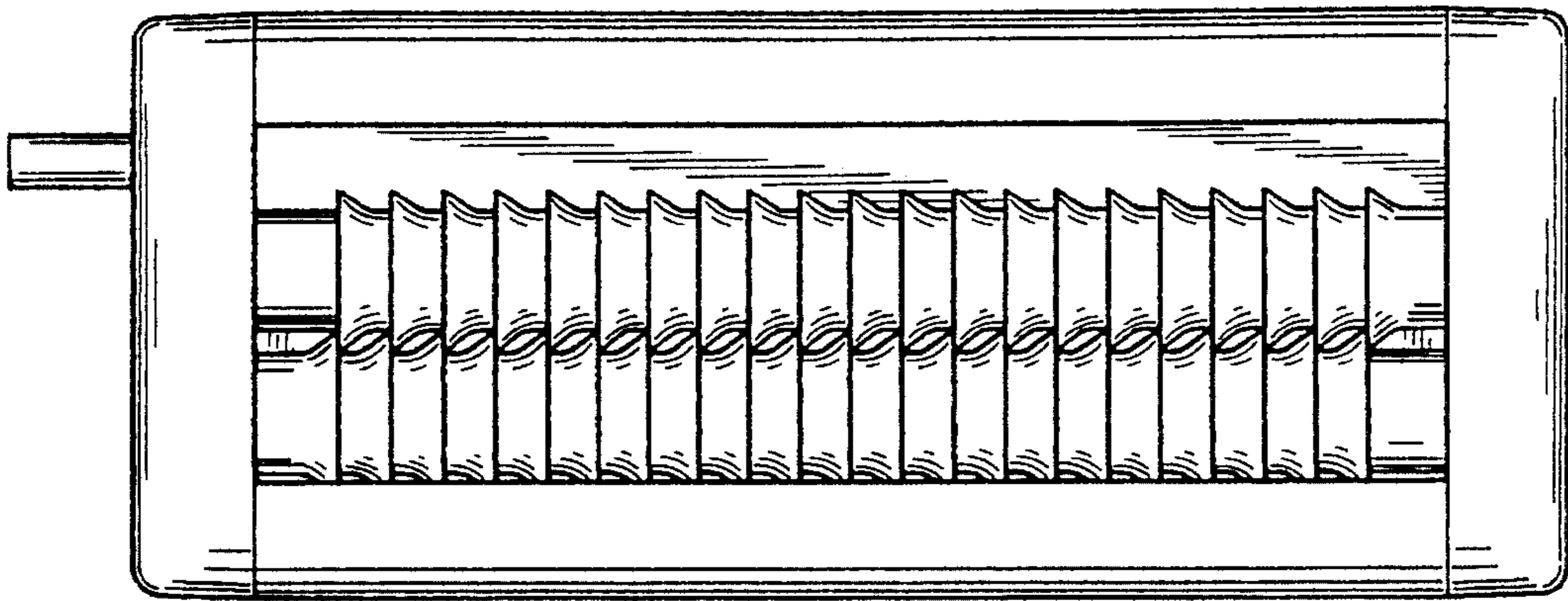


FIG. 9

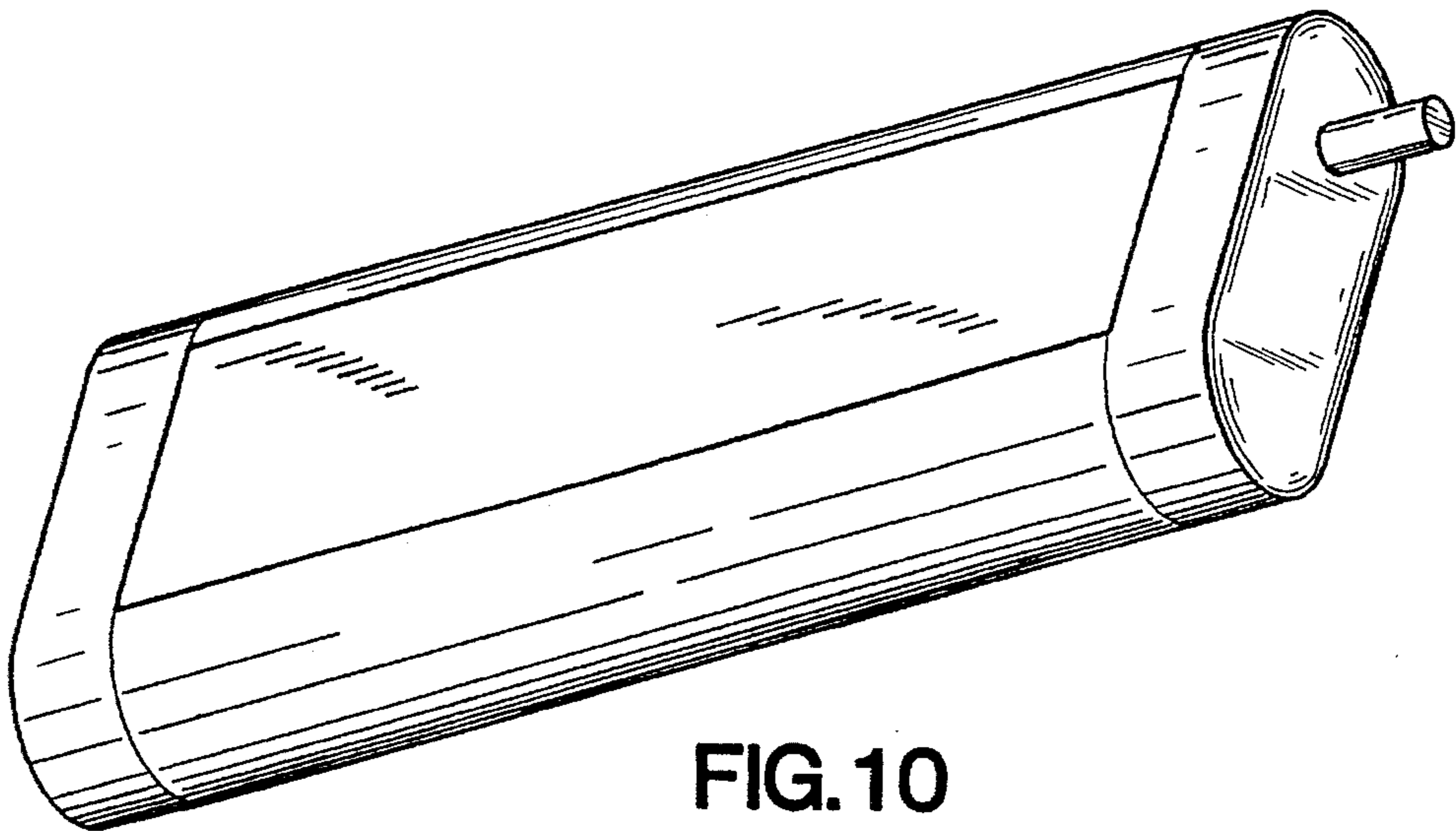


FIG. 10

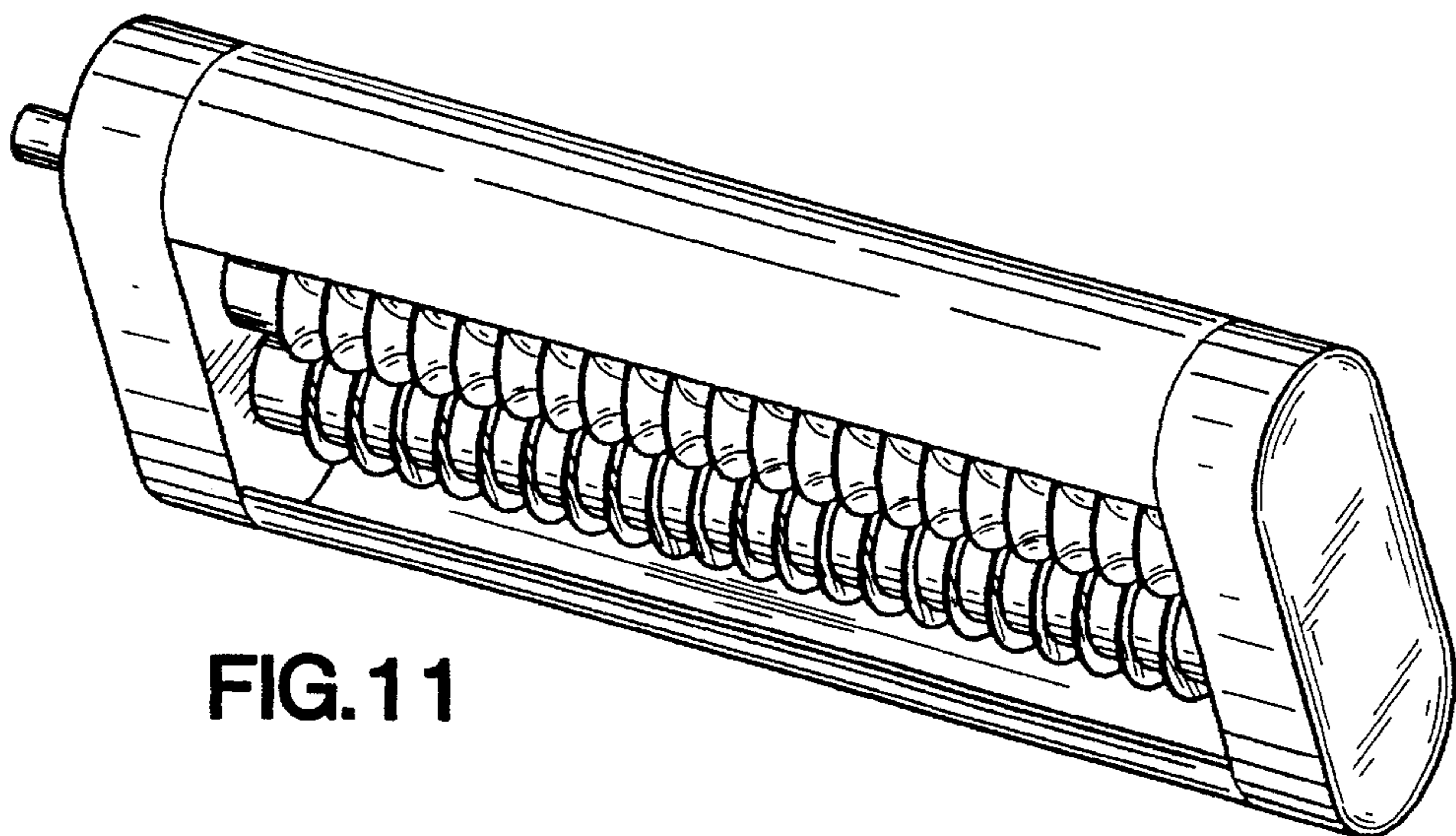


FIG. 11