



US00D362862S

# United States Patent [19]

[11] **Patent Number:** **Des. 362,862**

**Barton**

[45] **Date of Patent:** **\*\*Oct. 3, 1995**

[54] **LASER POINTER FOR MOTION PICTURE CAMERAS**

5,059,019 10/1991 McCullough ..... 352/131  
5,189,463 2/1993 Capper et al. .... 354/165

[75] Inventor: **Lawrence E. Barton**, Santa Monica, Calif.

### FOREIGN PATENT DOCUMENTS

246018 11/1987 European Pat. Off. .... 356/4

[73] Assignee: **Cinematography Electronics, Inc.**, Los Angeles, Calif.

### OTHER PUBLICATIONS

Gun World, Feb. 1984 p. 69.  
National FOP Journal, Spring 1991 p. 55.

[\*\*] Term: **14 Years**

*Primary Examiner*—Theodore M. Shooman  
*Assistant Examiner*—Adir Aronovich  
*Attorney, Agent, or Firm*—Michael A. Painter

[21] Appl. No.: **9,950**

### [57] CLAIM

[22] Filed: **Jun. 25, 1993**

[52] U.S. Cl. .... **D16/237**; D13/101; D16/132

The ornamental design for a laser pointer for motion picture cameras, as shown.

[58] Field of Search ..... D13/101; D16/237,  
D16/219, 220, 132; D10/46; D22/109;  
354/165, 219; 348/207, 373-376; 352/3,  
4, 131

### DESCRIPTION

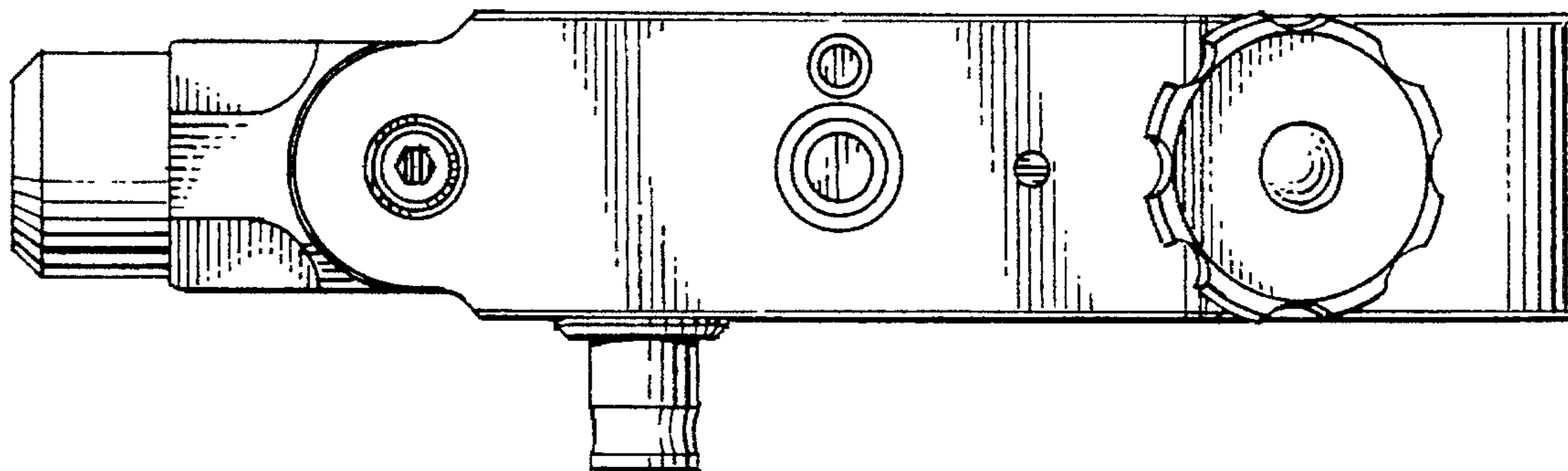
FIG. 1 is a top plan view of a laser pointer for motion picture cameras illustrating my new design;  
FIG. 2 is a bottom view thereof;  
FIG. 3 is a front elevation view thereof;  
FIG. 4 is a back elevation view thereof;  
FIG. 5 is a left side view thereof; and  
FIG. 6 is a right side view thereof.

### [56] References Cited

#### U.S. PATENT DOCUMENTS

D. 199,441 10/1964 Rempel et al. .... D13/101  
D. 209,401 11/1987 Clement ..... D13/101  
D. 310,339 9/1990 Tofte et al. .... D10/46

**1 Claim, 1 Drawing Sheet**



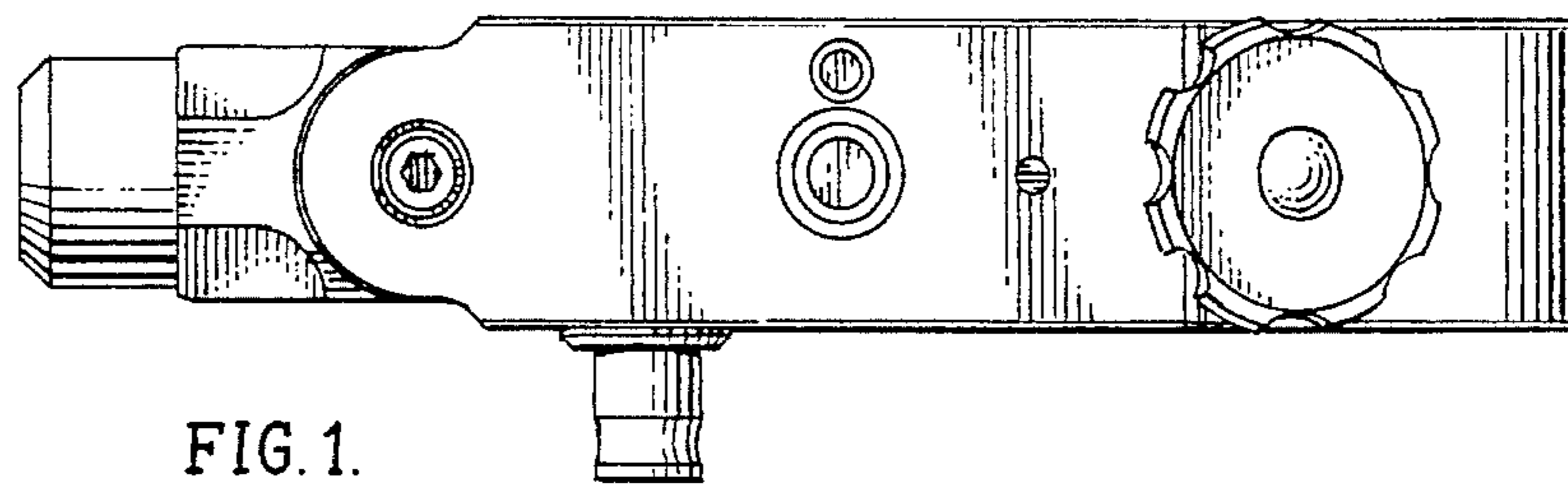


FIG. 1.

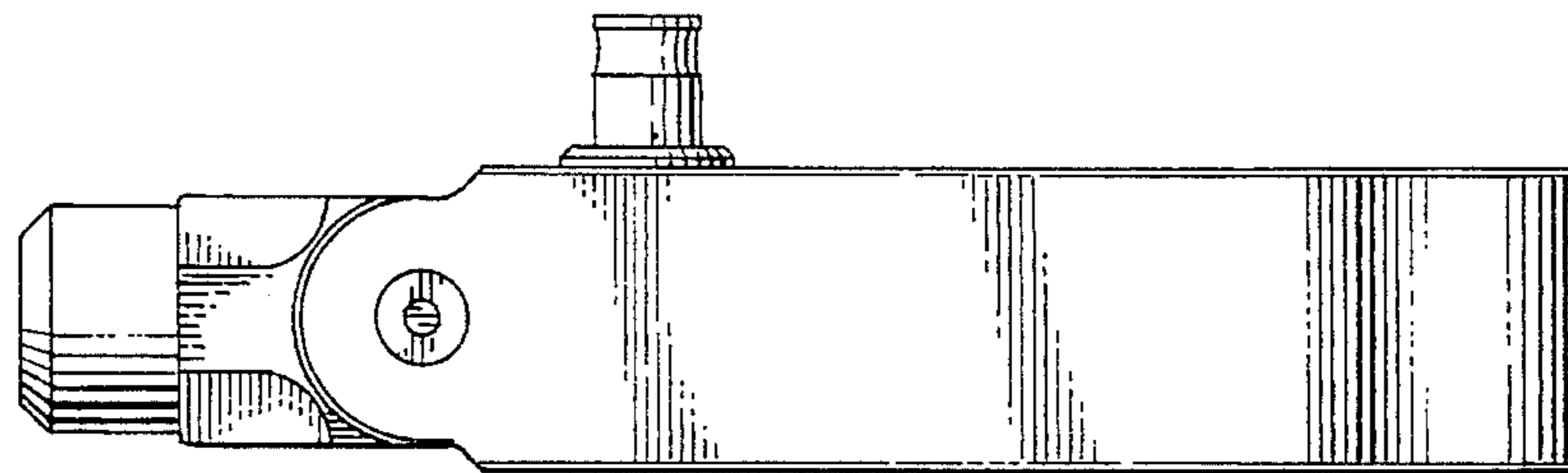


FIG. 2.

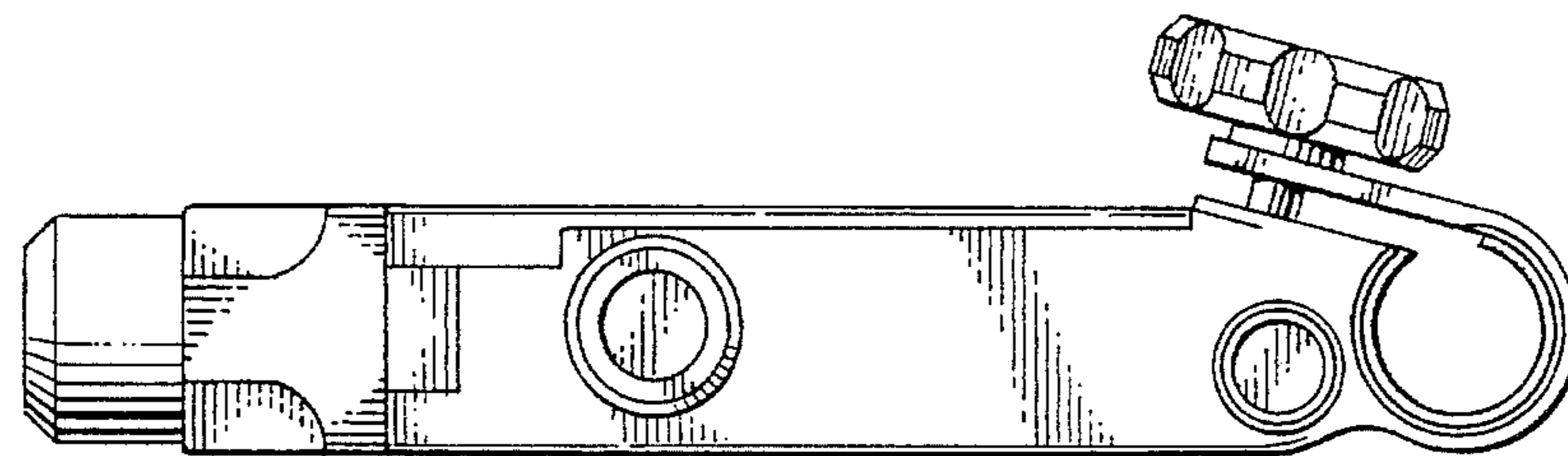


FIG. 3.

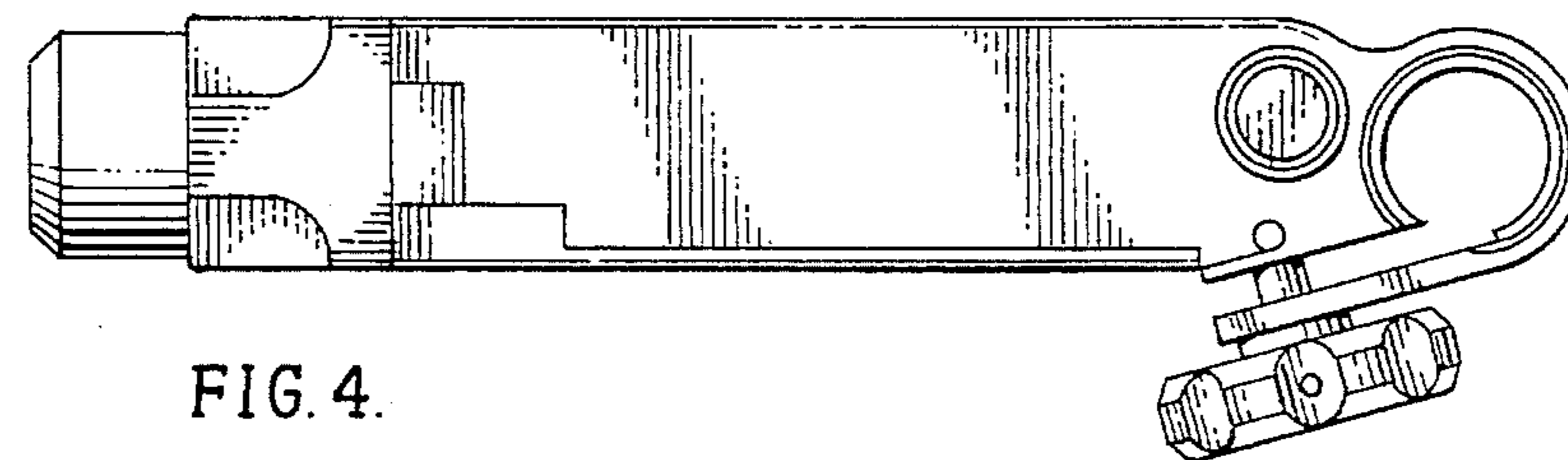


FIG. 4.

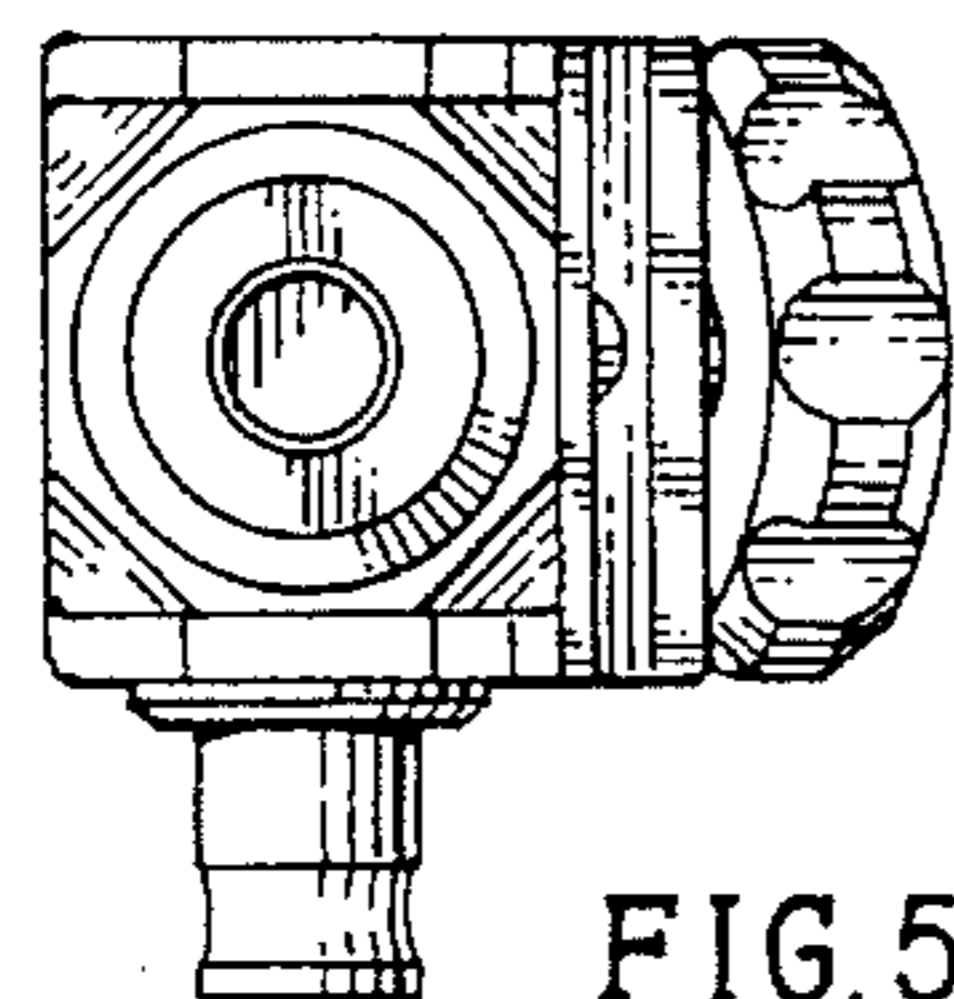


FIG. 5.

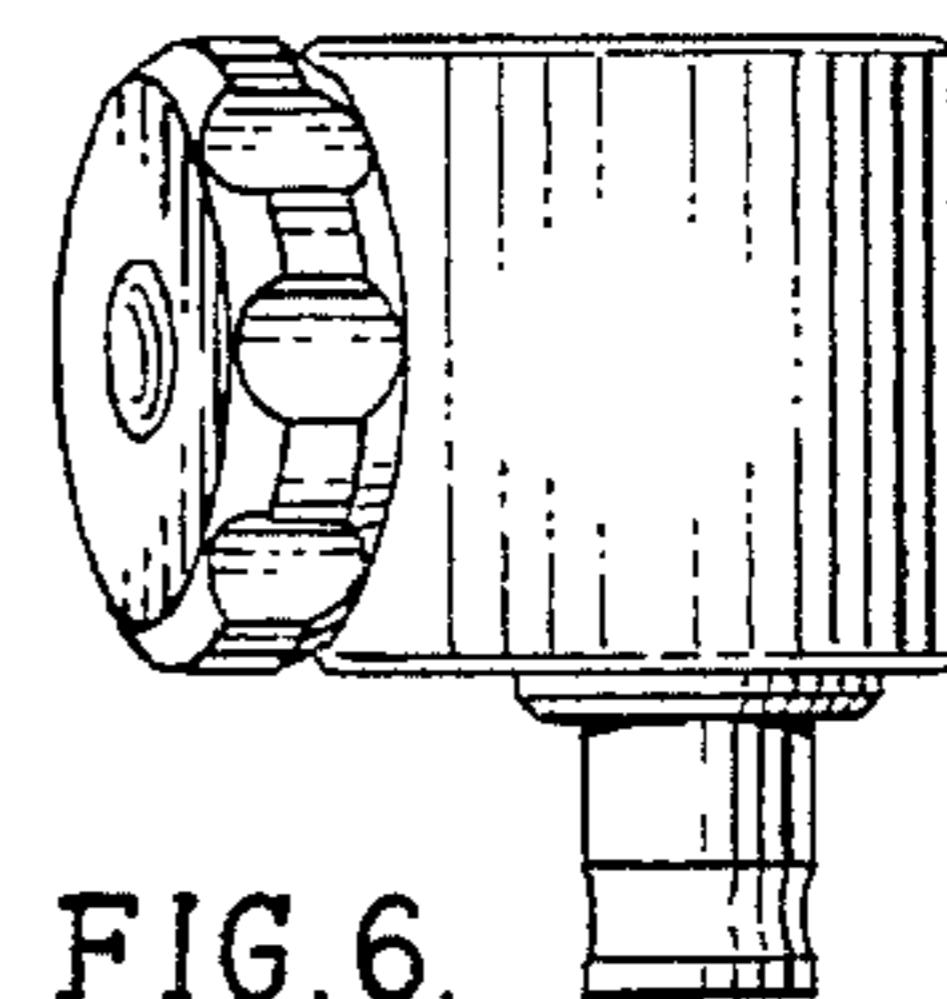


FIG. 6.