



US00D362858S

United States Patent [19] Dyer

[11] Patent Number: **Des. 362,858**

[45] Date of Patent: ****Oct. 3, 1995**

[54] **WIDE BELT SANDER HOUSING**
[75] Inventor: **Ben K. Dyer**, Mohawk, Tenn.
[73] Assignee: **CEMCO, Inc.**, Whitesburg, Tenn.
[**] Term: **14 Years**

Primary Examiner—Antoine Duval Davis
Attorney, Agent, or Firm—Veal & Marsh

[57] **CLAIM**

The ornamental design for a wide belt sander housing, as shown and described.

[21] Appl. No.: **26,808**
[22] Filed: **Aug. 5, 1994**
[52] U.S. Cl. **D15/125**
[58] Field of Search **D15/125; 51/296, 51/300-311, 357**

DESCRIPTION

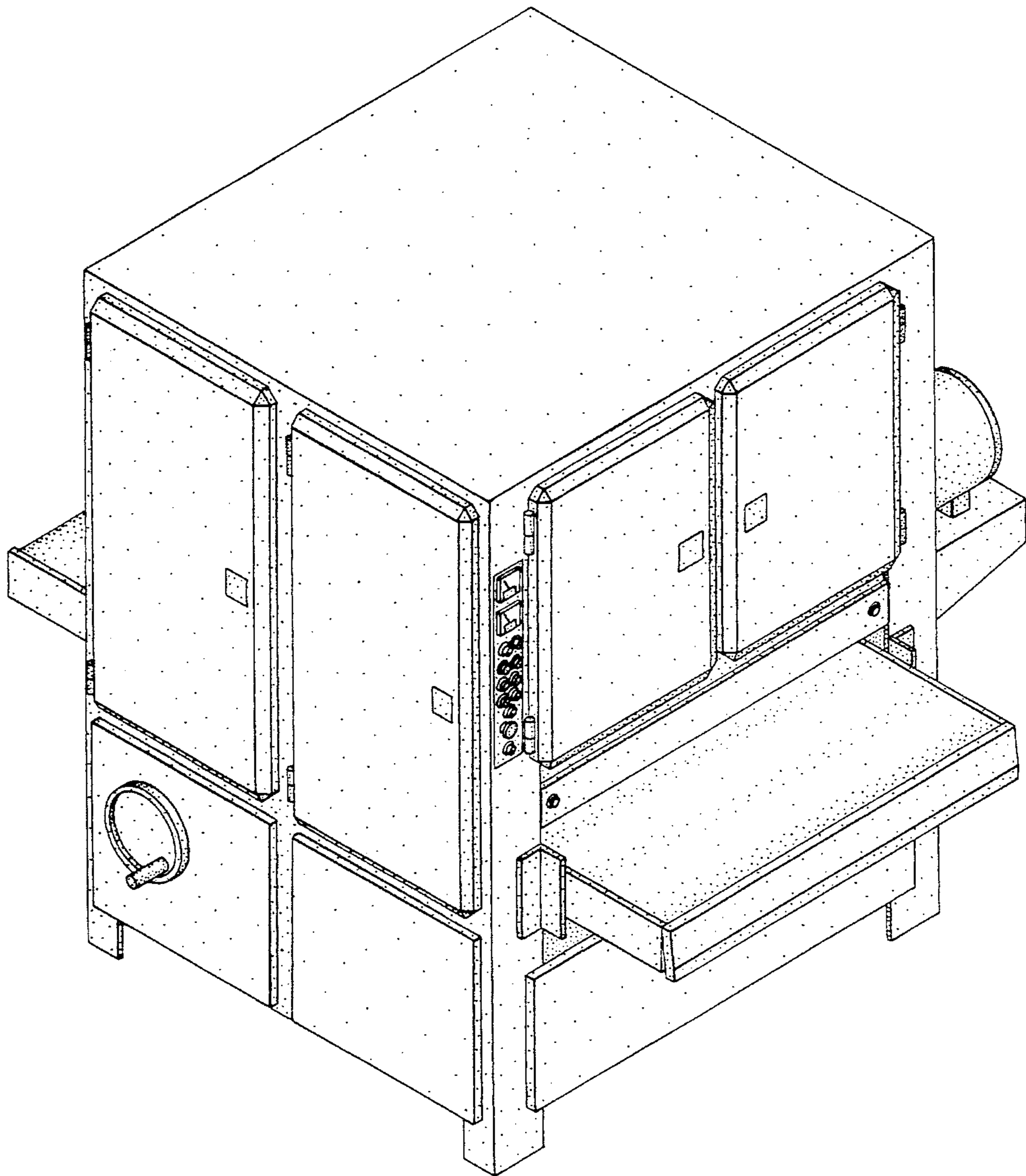
FIG. 1 is a front perspective view of a wide belt sander housing;
FIG. 2 is a rear perspective view thereof;
FIG. 3 is an enlarged side elevational view thereof;
FIG. 4 is a side elevational view of the side opposite that shown in FIG. 3;
FIG. 5 is a front elevational view thereof; and,
FIG. 6 is a rear elevational view thereof.

[56] **References Cited**

U.S. PATENT DOCUMENTS

3,859,758	1/1975	Fair, Jr.	51/310
4,720,939	1/1988	Simpson et al.	51/296 X
5,094,036	3/1992	Botteghi	51/303

1 Claim, 6 Drawing Sheets



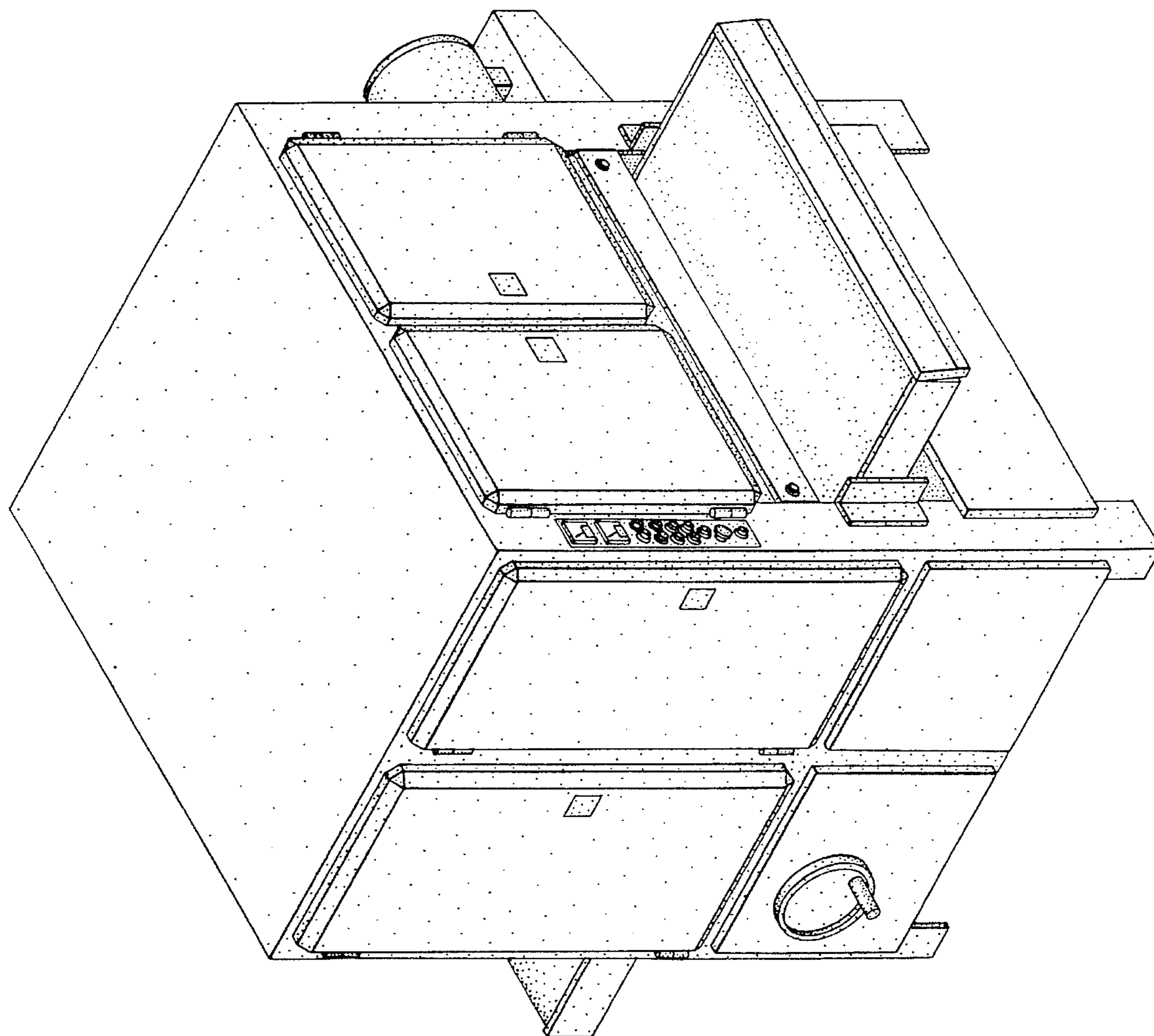


Fig. 1

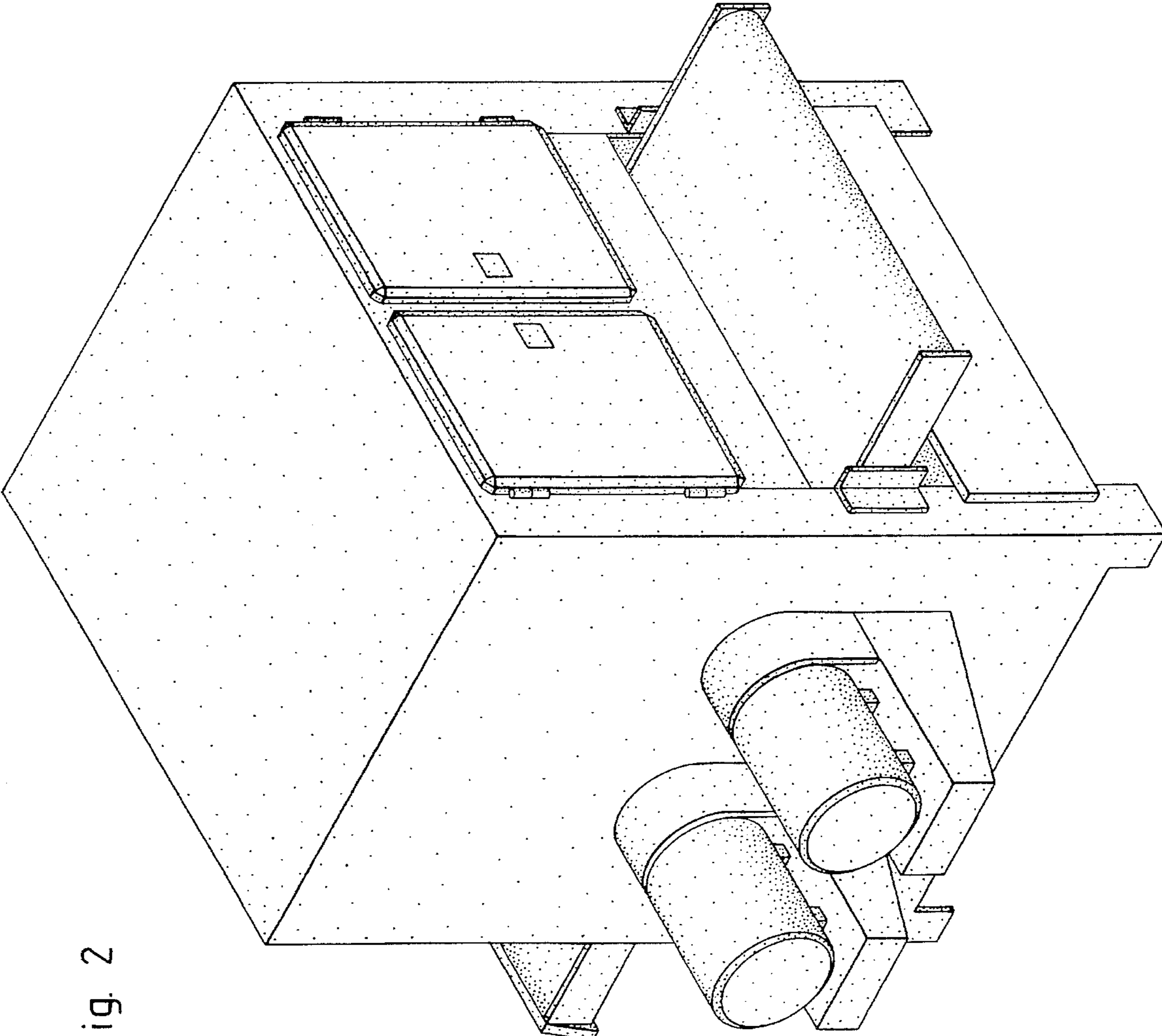


Fig. 2

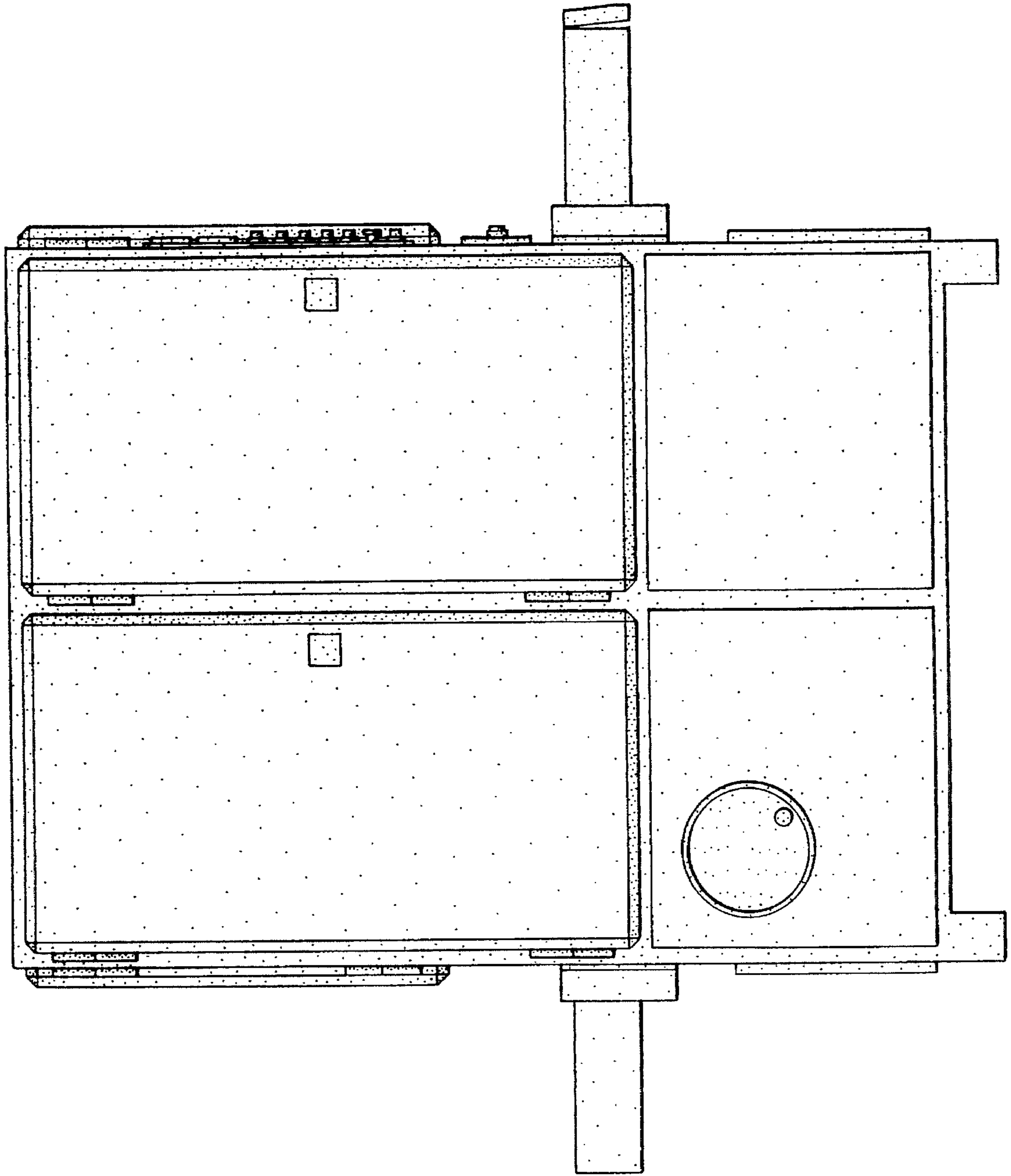


Fig. 3

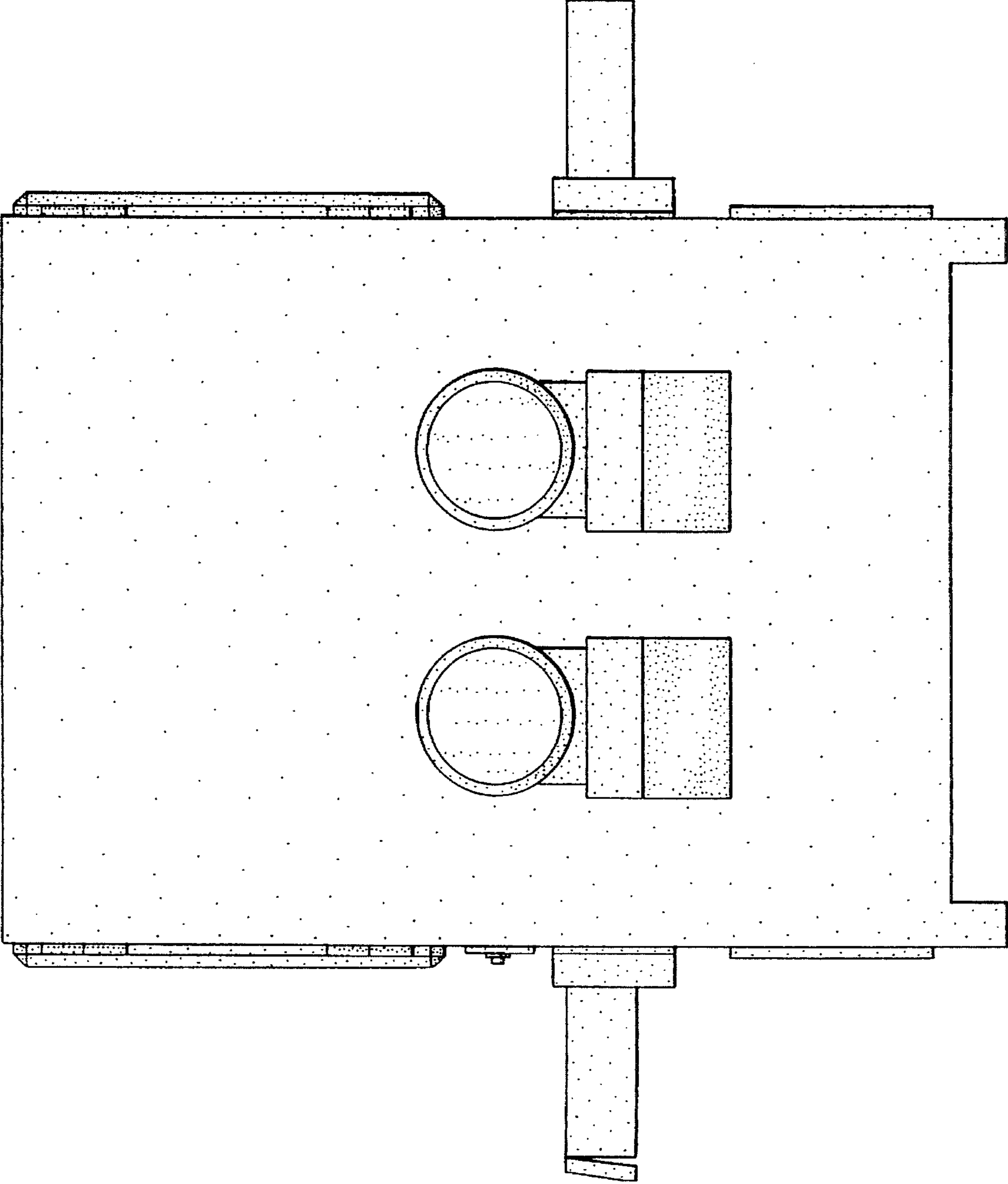


Fig. 4

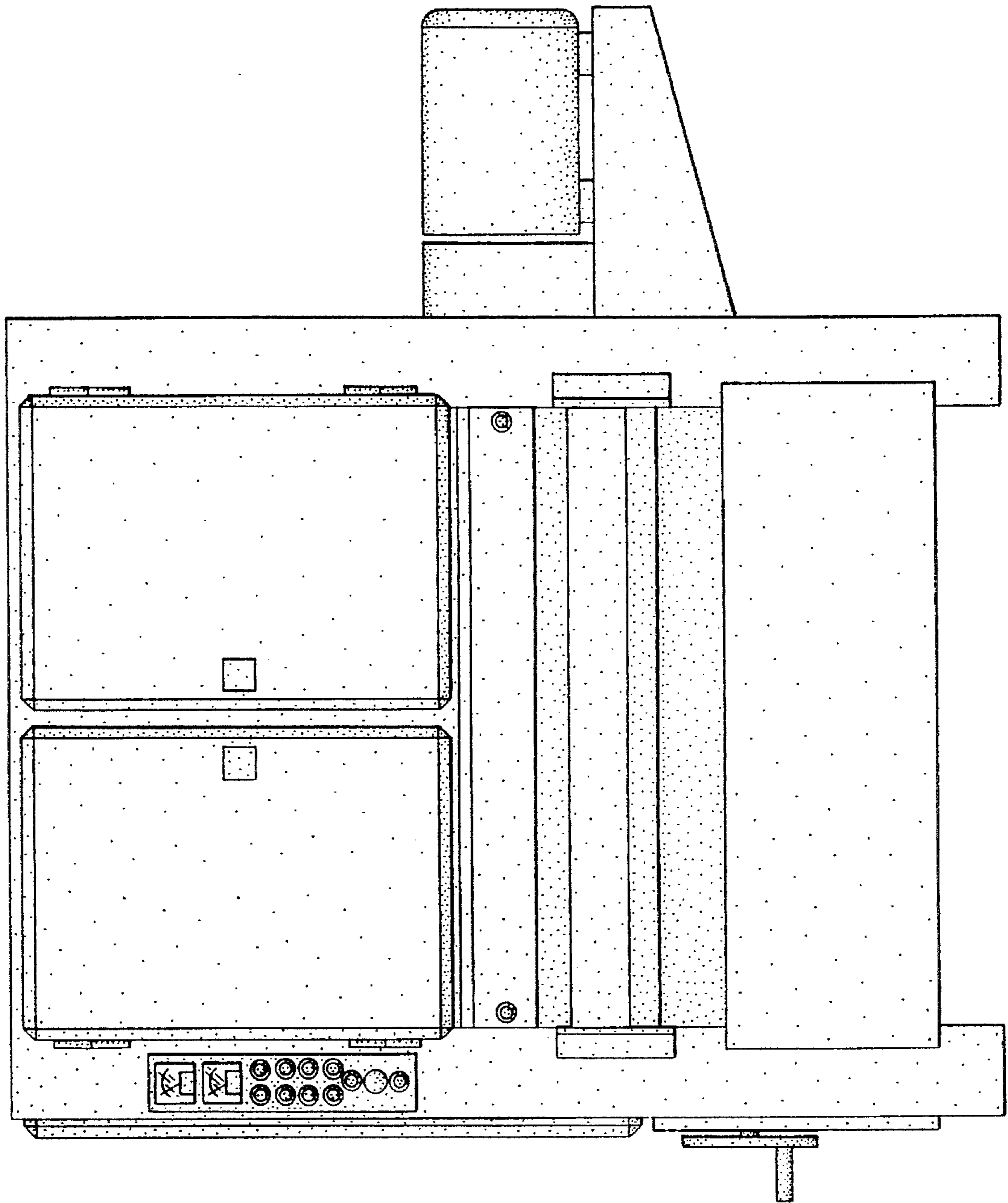


Fig. 5

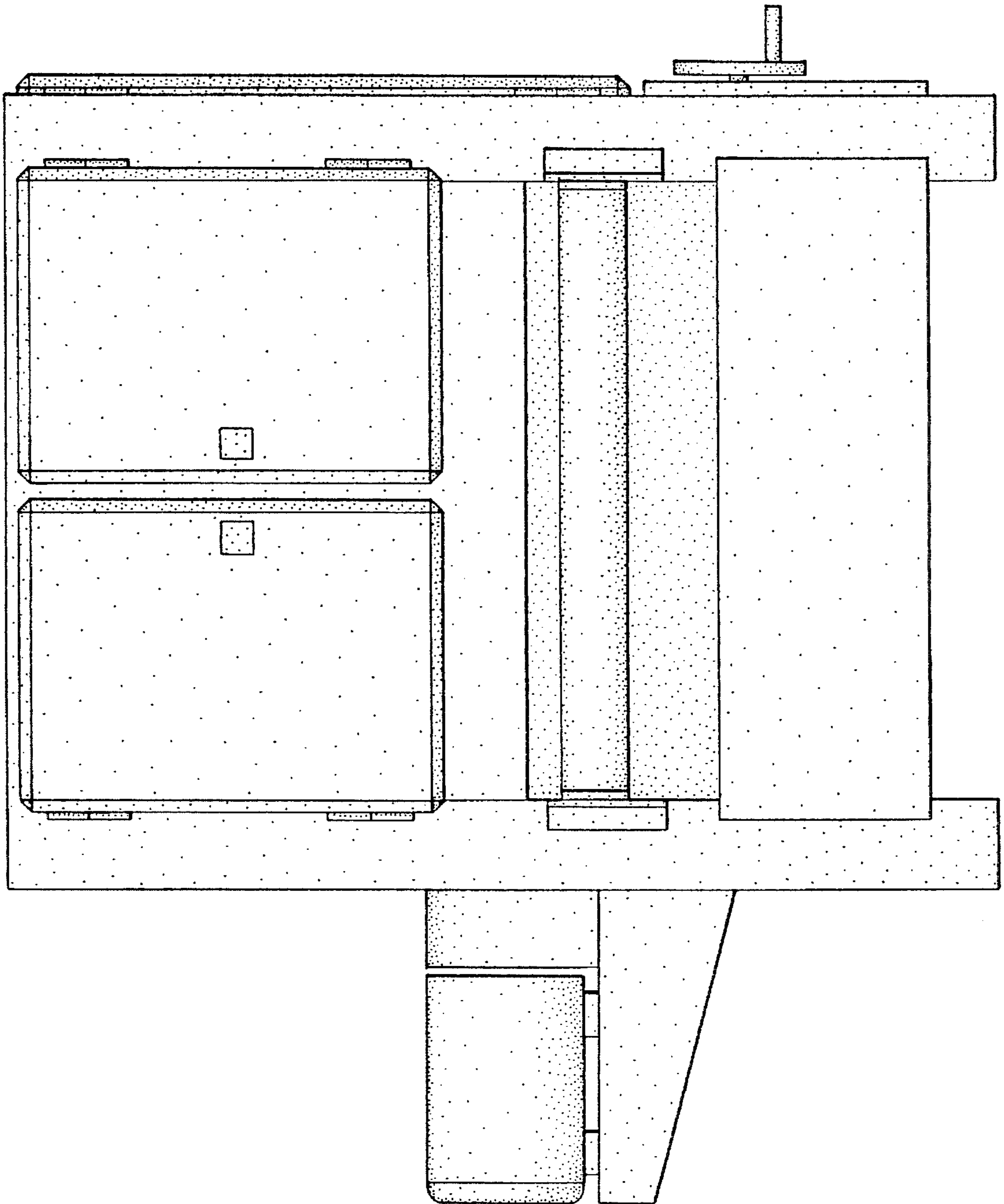


Fig. 6