



US00D362854S

United States Patent [19]

[11] Patent Number: **Des. 362,854**

Fahy

[45] Date of Patent: ****Oct. 3, 1995**

[54] NON-PENETRATING ANTENNA MOUNT

3,041,024 6/1962 Raynor 248/536

[76] Inventor: **Lawrence T. Fahy**, 6364 Congress Ct., Bensalem, Pa. 19020

OTHER PUBLICATIONS

Lafayette Catalog No. 740, ©1973, p. 300, Bottom right, Antenna mounts.

[**] Term: **14 Years**

Primary Examiner—Dominic Simone

[21] Appl. No.: **29,627**

Attorney, Agent, or Firm—Dann, Dorfman, Herrell and Skillman

[22] Filed: **Oct. 12, 1994**

[52] U.S. Cl. **D14/238**

[57] CLAIM

[58] Field of Search D14/230, 238; 248/534, 536, 539, 511, 516, 519; 343/878, 880

The ornamental design for a non-penetrating antenna mount, as shown and described.

DESCRIPTION

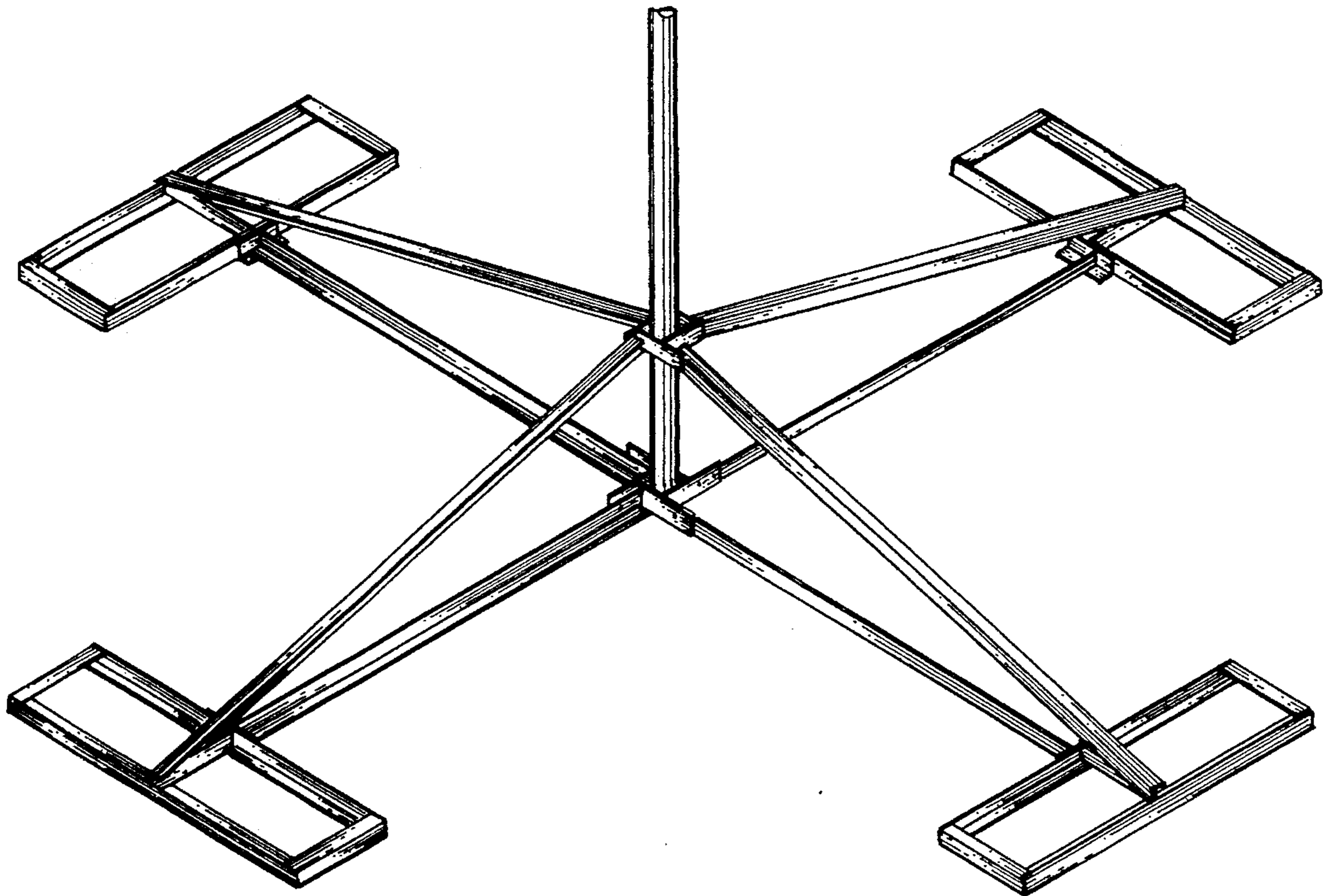
[56] References Cited

U.S. PATENT DOCUMENTS

- D. 277,578 2/1985 Nichols .
- D. 286,288 10/1986 Skinner et al. .
- D. 289,163 4/1987 Eriksson .
- D. 292,707 11/1987 Fahy .
- D. 312,257 11/1990 Fahy D14/238
- 2,845,243 7/1958 Mowers et al. 248/536

FIG. 1 is a top, front, perspective view of a non-penetrating antenna mount showing my new design; FIG. 2 is a top plan view thereof; FIG. 3 is a bottom plan view thereof; and, FIG. 4 is a side elevational view thereof, as viewed along the line 4—4 in FIG. 2.

1 Claim, 4 Drawing Sheets



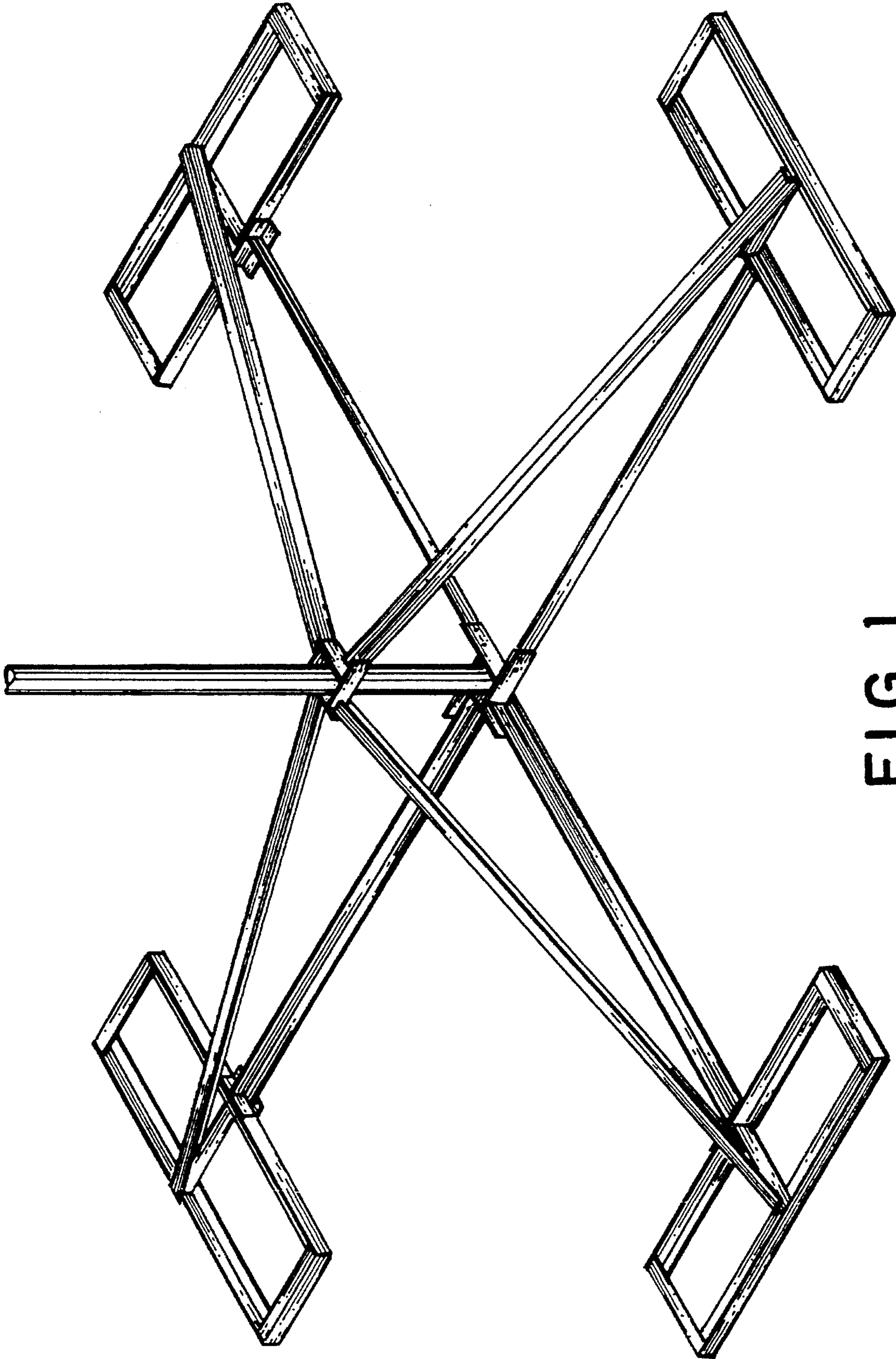


FIG. 1

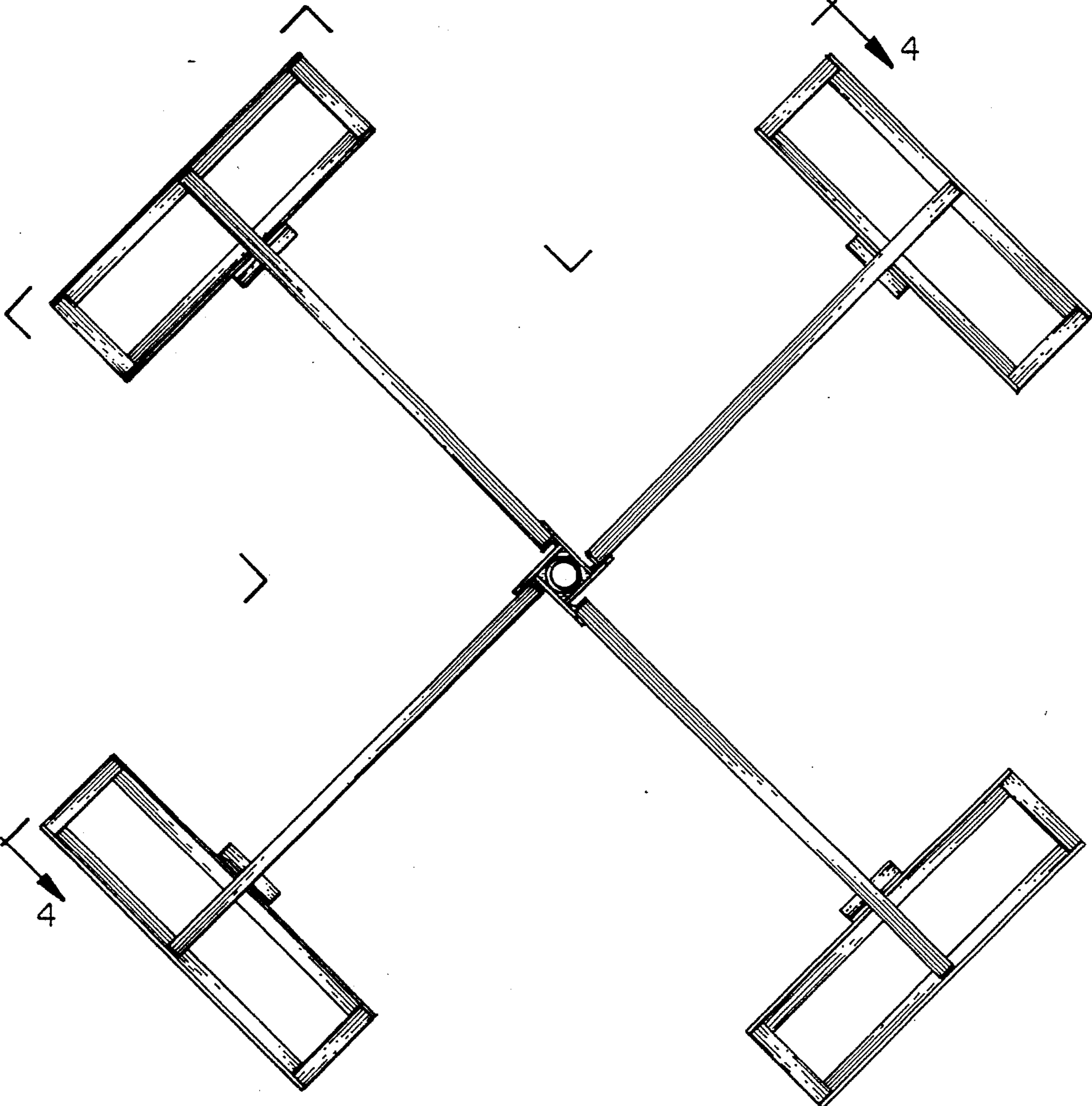


FIG. 2

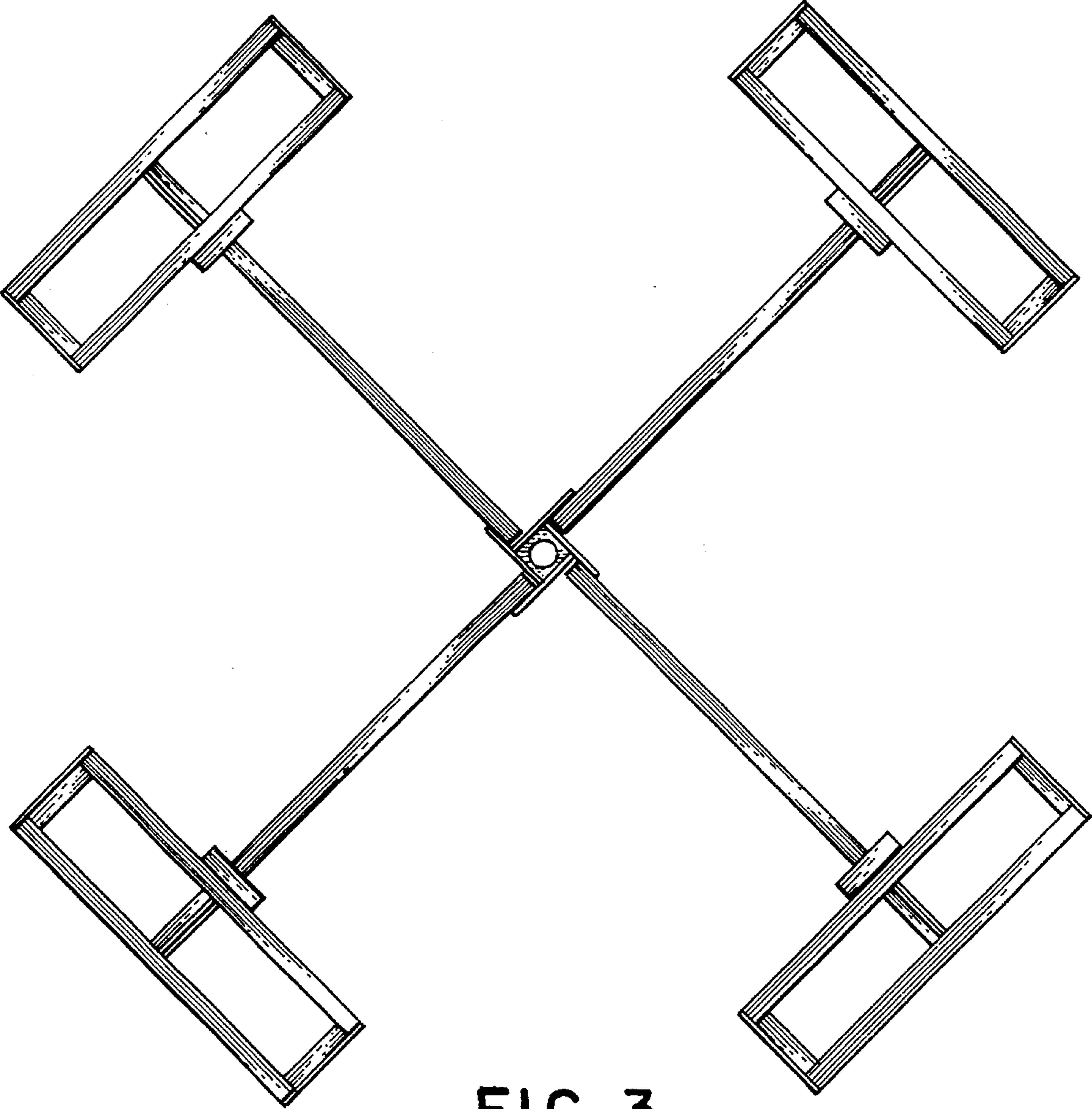


FIG. 3

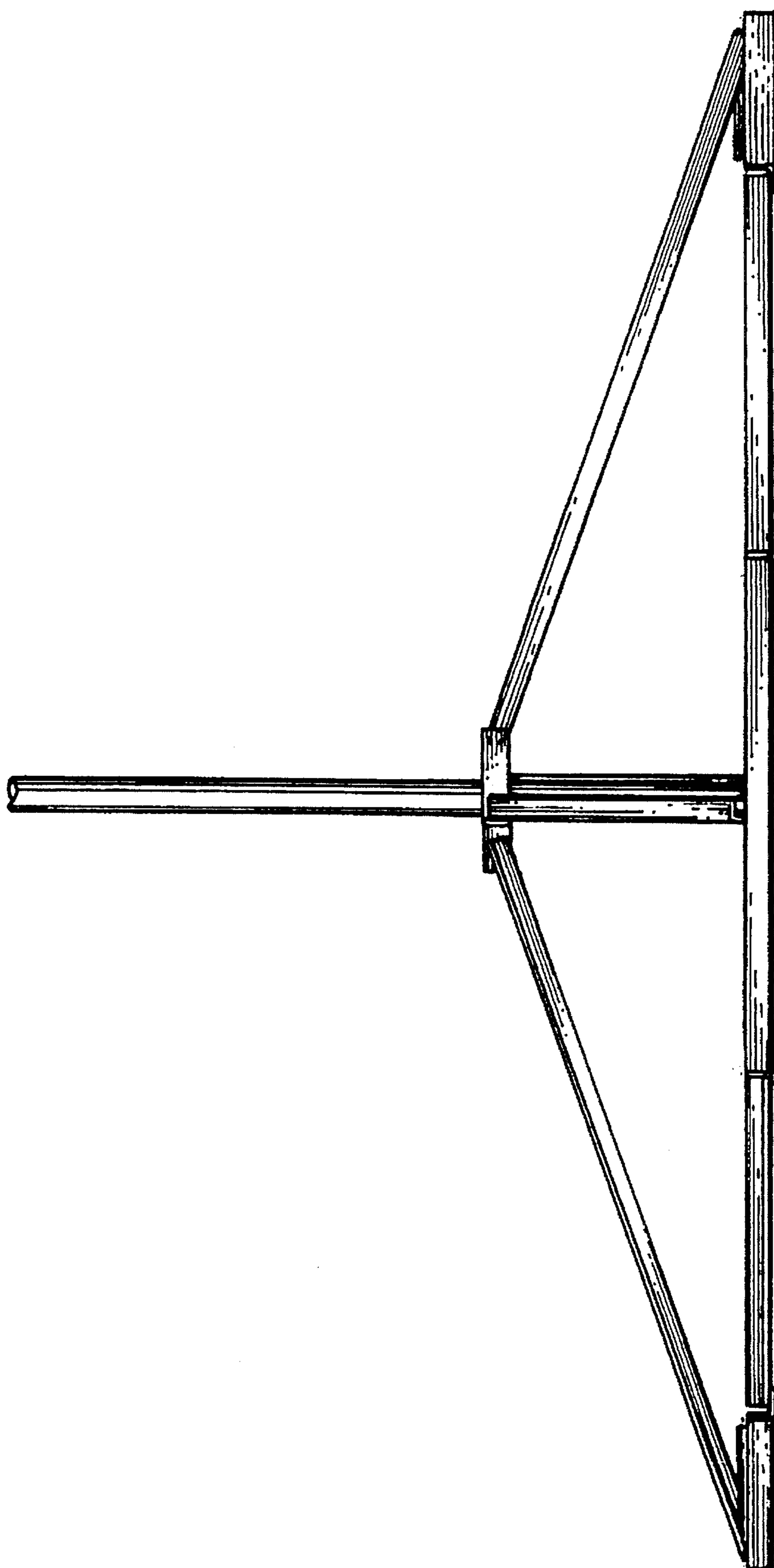


FIG. 4