



US00D362848S

United States Patent [19]

[11] **Patent Number:** **Des. 362,848**

Naito et al.

[45] **Date of Patent:** ****Oct. 3, 1995**

[54] **TELEVISION RECEIVER**

[75] Inventors: **Eiichiro Naito**, Hyogo; **Tadashi Sumino**, Kyoto, both of Japan

[73] Assignee: **Matsushita Electric Industrial Co., Ltd.**, Osaka, Japan

[**] Term: **14 Years**

[21] Appl. No.: **26,410**

[22] Filed: **Jul. 27, 1994**

[30] **Foreign Application Priority Data**

Feb. 14, 1994 [JP] Japan 6-3465

[52] **U.S. Cl.** **D14/126**

[58] **Field of Search** D14/124-134,
D14/113; 312/7.2; 348/825, 836, 838

[56] **References Cited**

U.S. PATENT DOCUMENTS

D. 317,600 6/1991 Amano D14/126

- D. 323,824 2/1992 Kawanabe et al. D14/126
- D. 335,664 5/1993 Morita et al. D14/126
- D. 342,065 12/1993 Kim D14/126
- D. 342,498 12/1993 Nakamura et al. D14/126
- D. 342,499 12/1993 Fujii et al. D14/126

Primary Examiner—Terry A. Wallace
Assistant Examiner—Richelle Shelton
Attorney, Agent, or Firm—Sughrue, Mion, Zinn, Macpeak & Seas

[57] **CLAIM**

The ornamental design for a television receiver, as shown.

DESCRIPTION

FIG. 1 is a perspective view of the top, front and left side of a television receiver showing our new design; FIG. 2 is a front elevational view thereof; FIG. 3 is a right side elevational view thereof; FIG. 4 is a rear elevational view thereof; FIG. 5 is a top plan view thereof; and, FIG. 6 is a bottom plan view thereof.

1 Claim, 3 Drawing Sheets

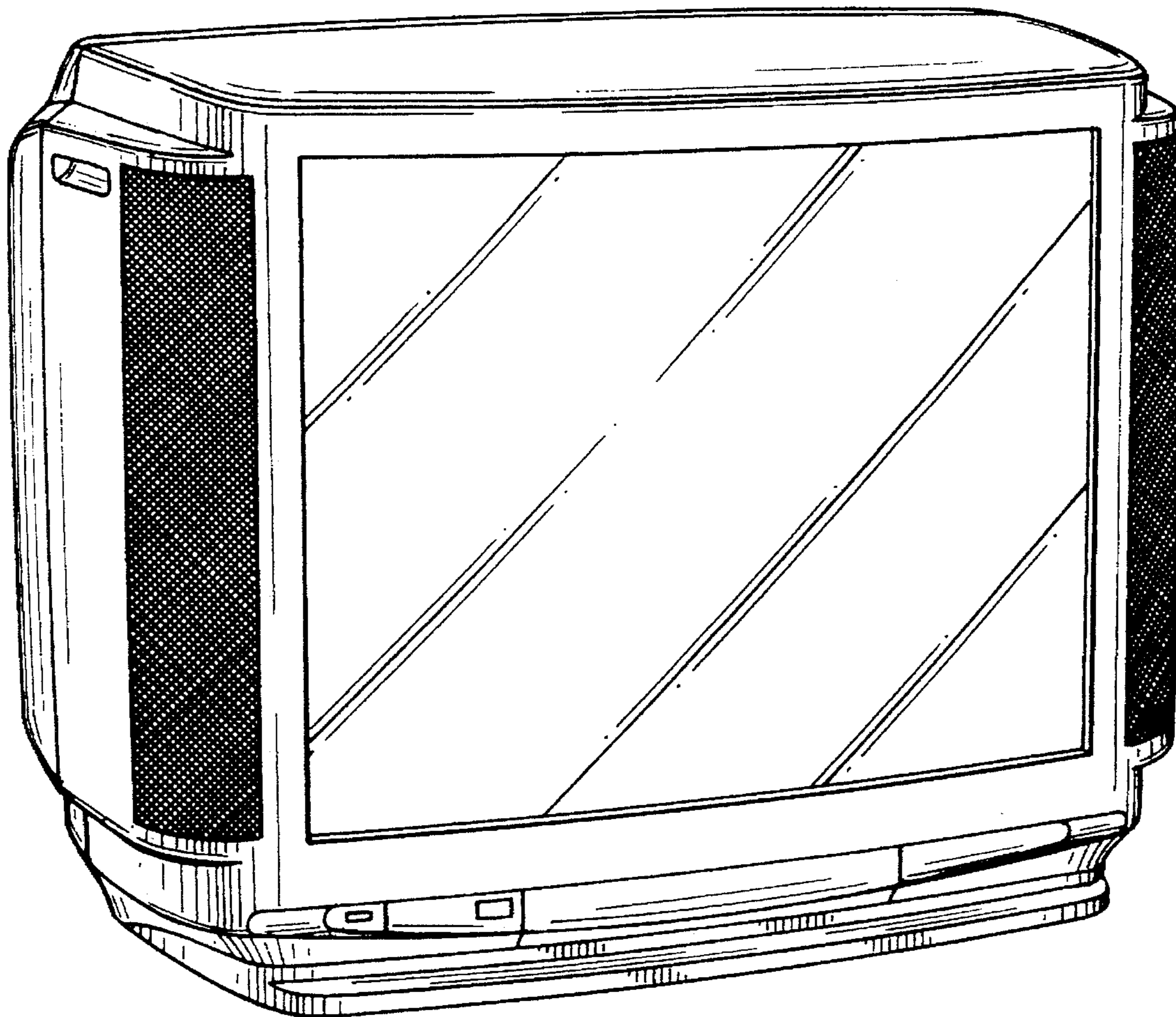


FIG. 1

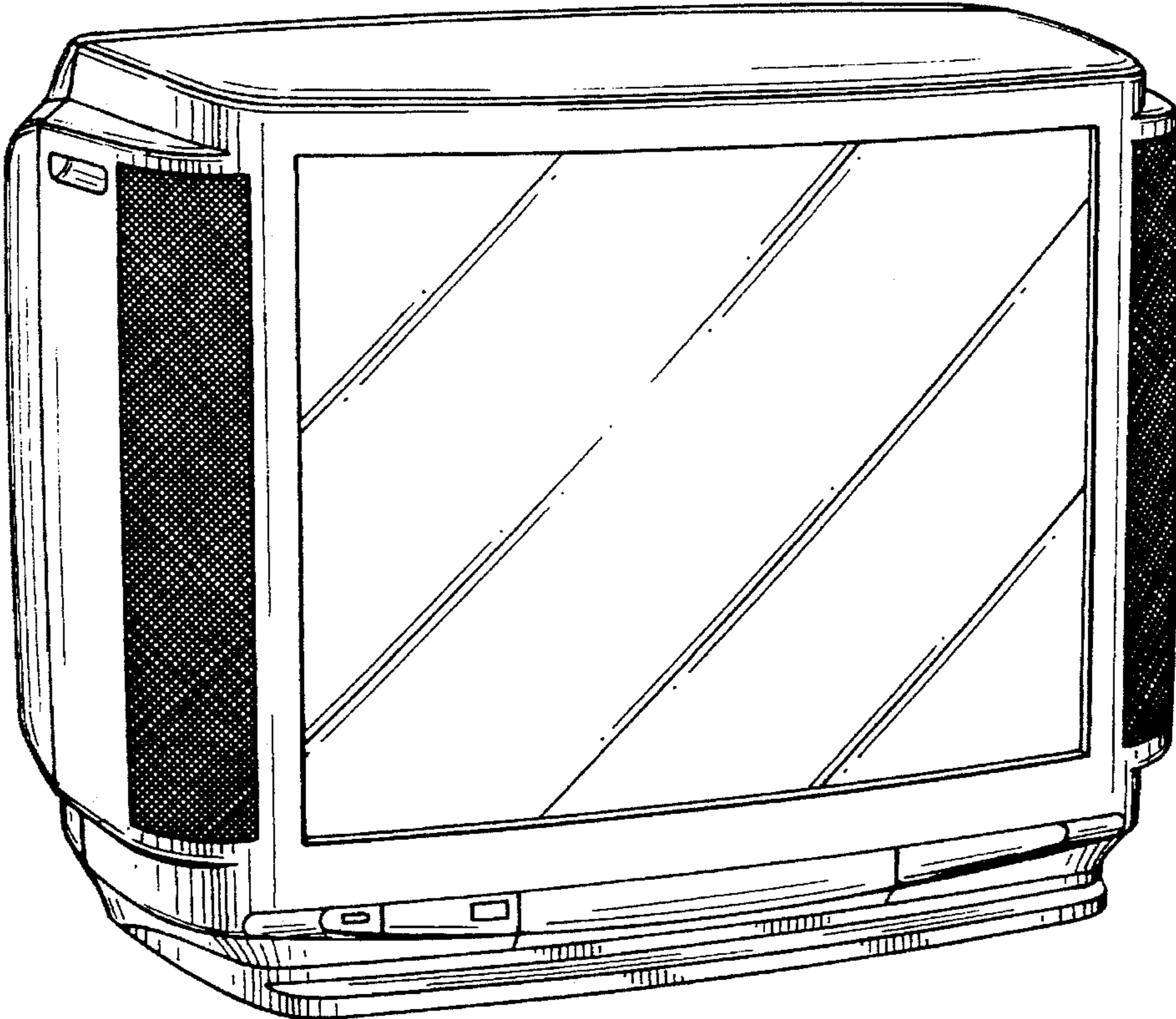


FIG. 2

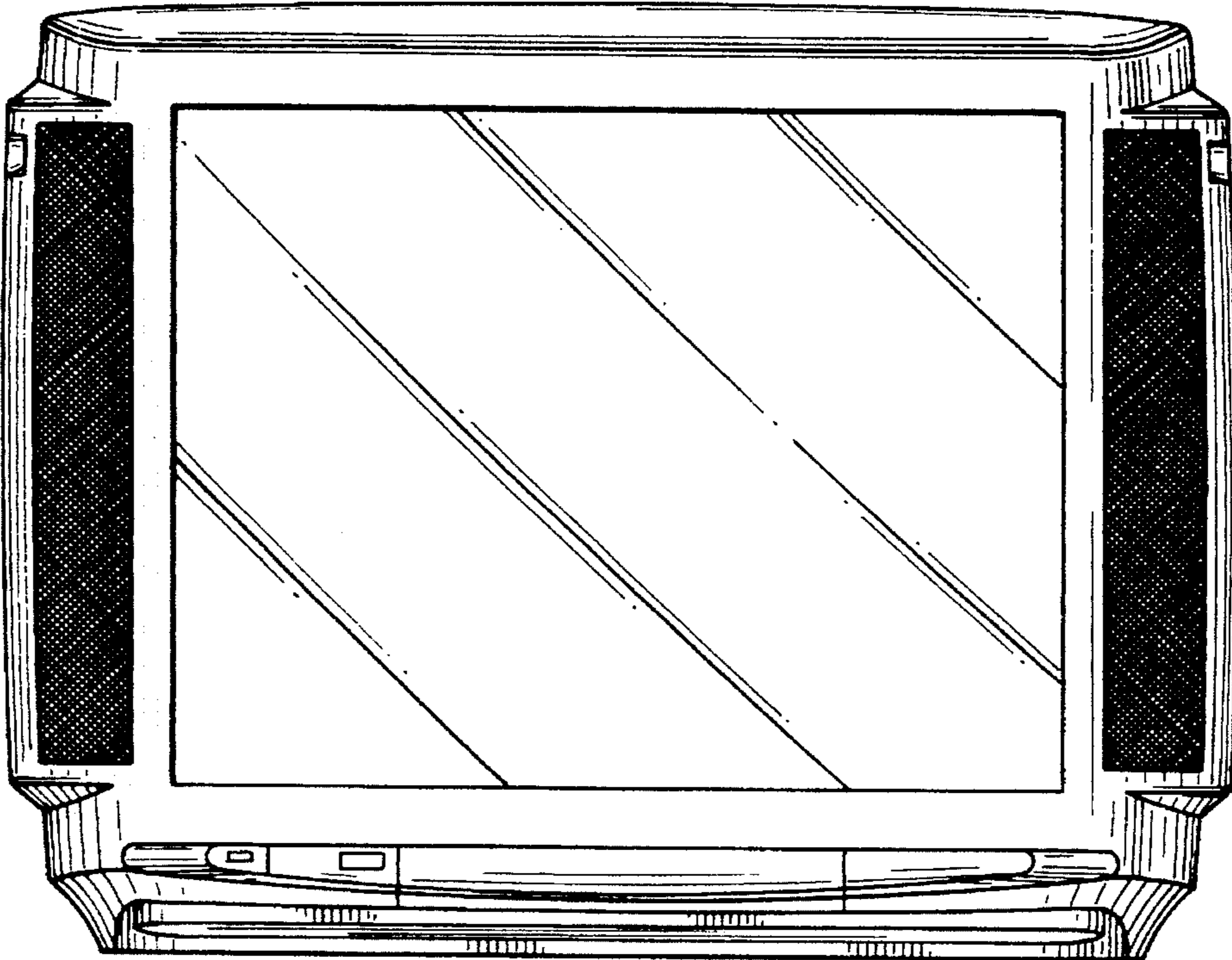


FIG. 3

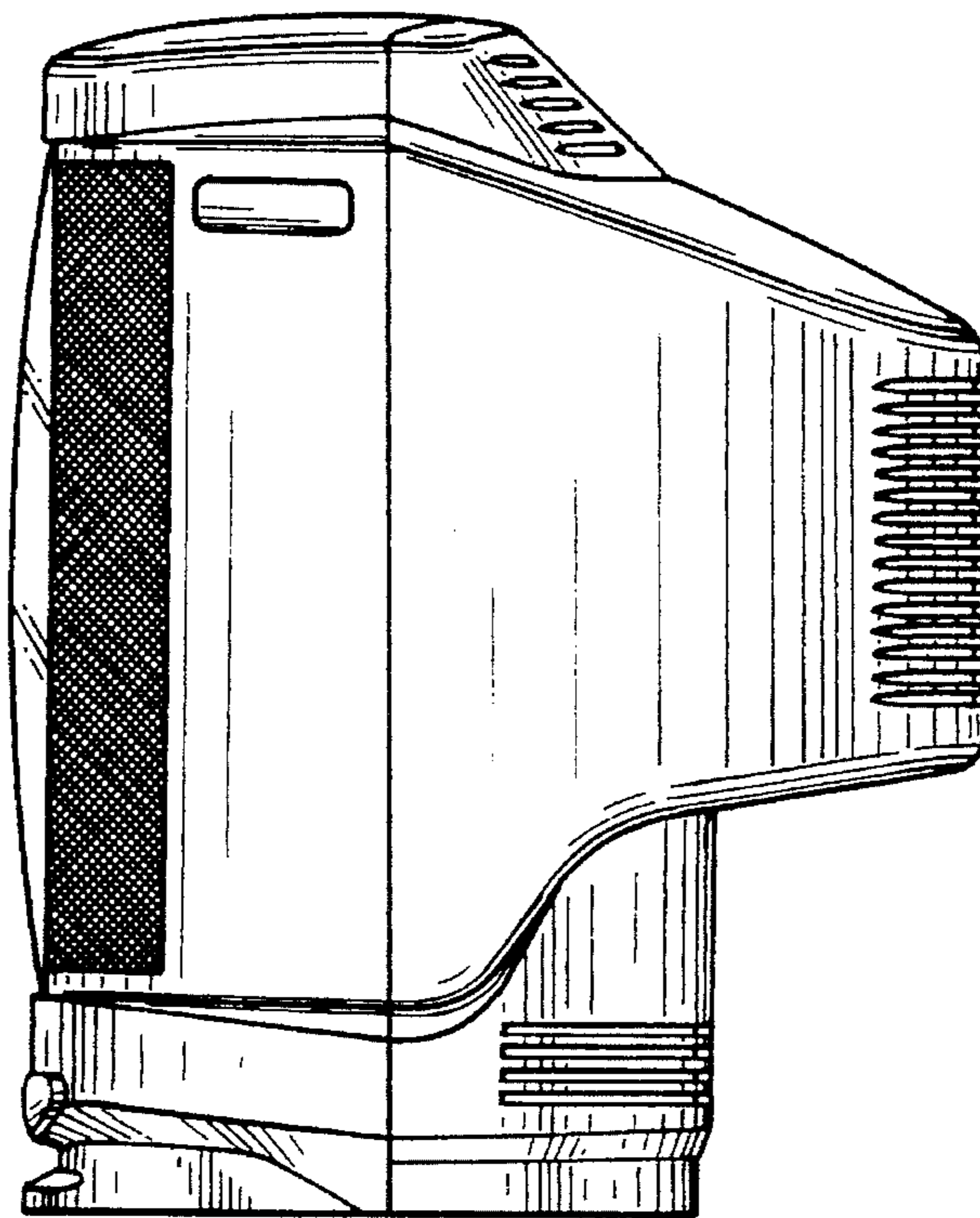


FIG. 4

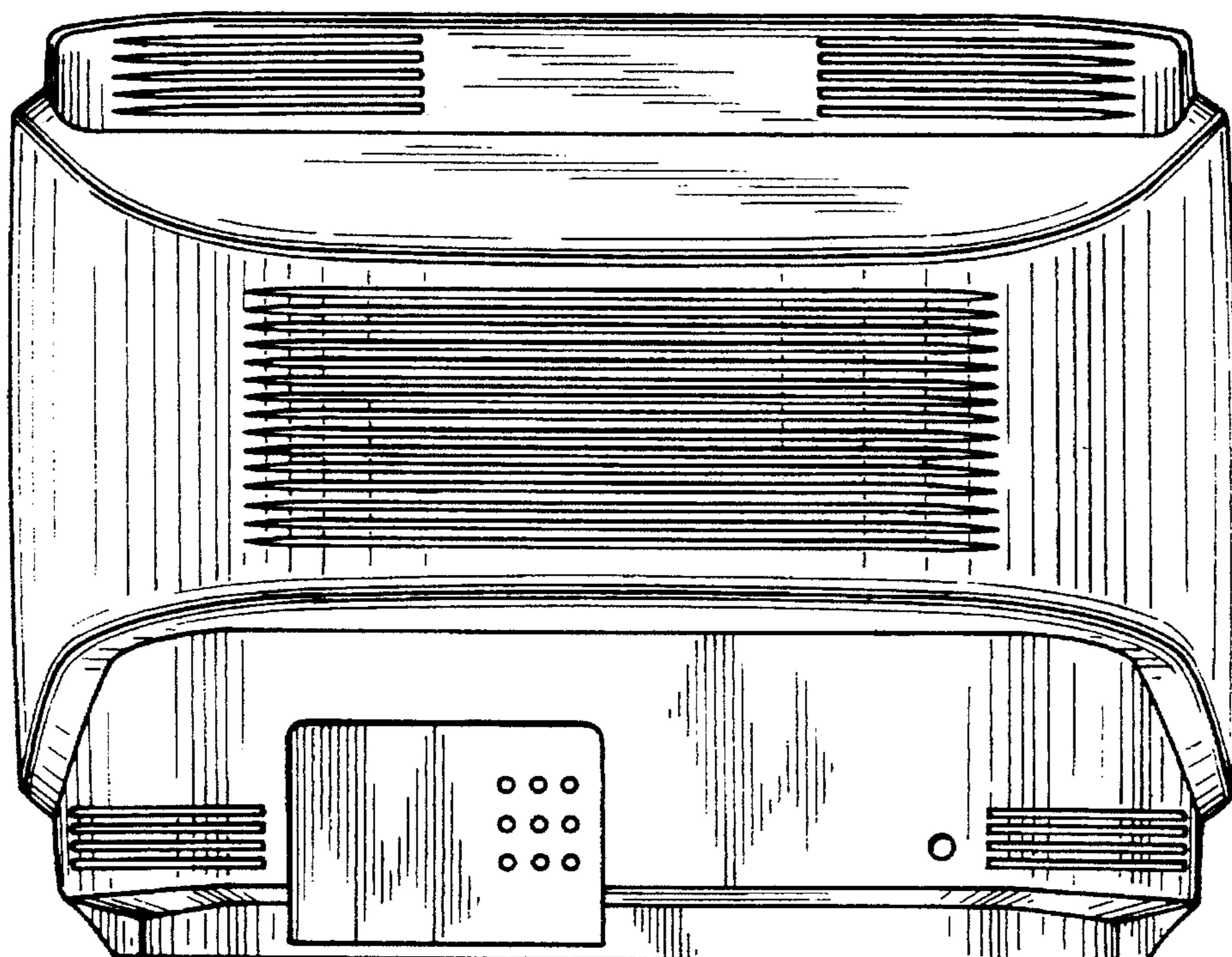


FIG. 5

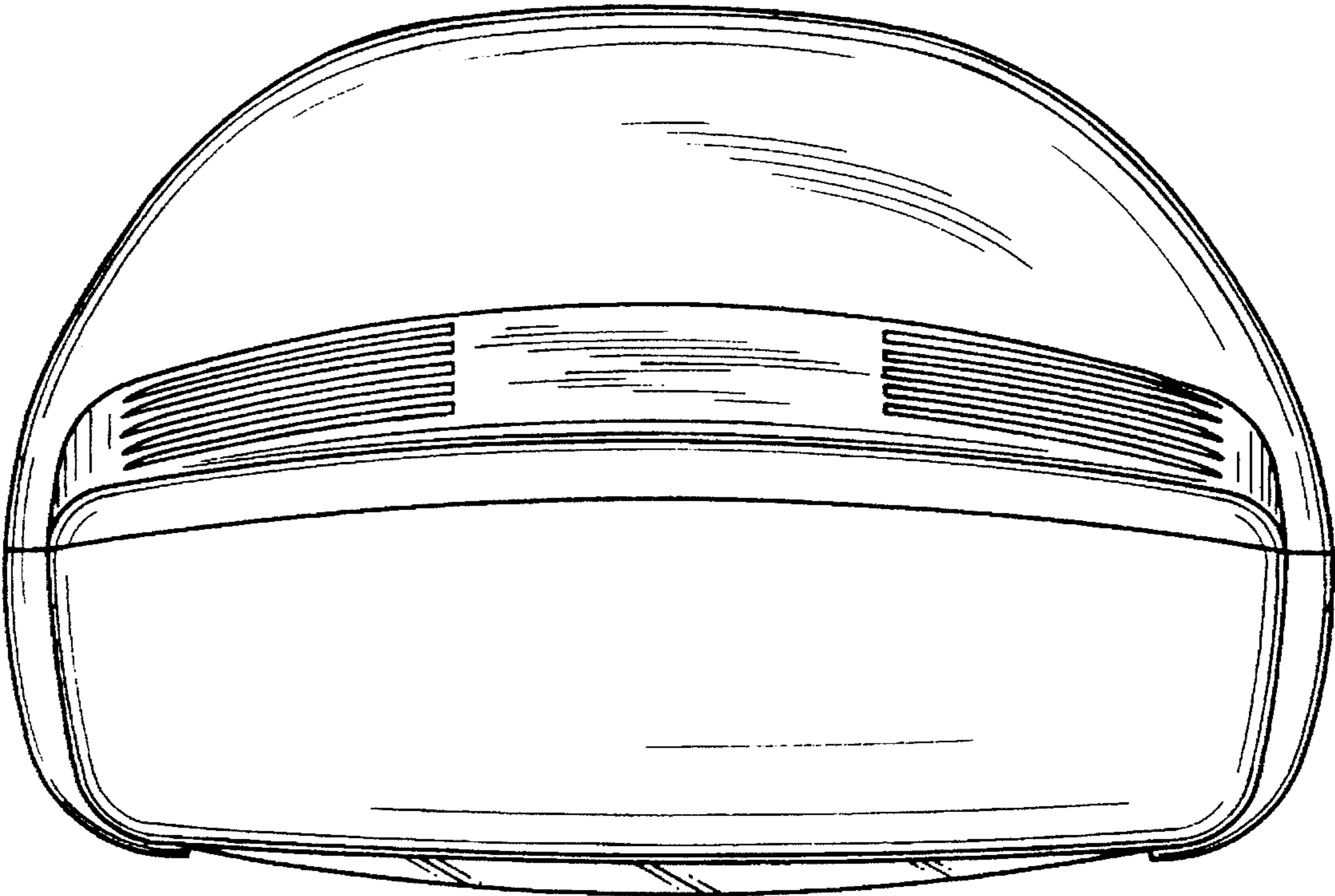


FIG. 6

