



US00D362846S

United States Patent [19]

[11] Patent Number: **Des. 362,846**

Inoue et al.

[45] Date of Patent: ****Oct. 3, 1995**

[54] CARTRIDGE FOR VIDEO GAME MACHINE

[75] Inventors: **Yoshihiro Inoue; Masahiko Ota**, both of Kyoto, Japan

[73] Assignee: **Nintendo Co., Ltd.**, Japan

[**] Term: **14 Years**

[21] Appl. No.: **22,091**

[22] Filed: **Apr. 29, 1994**

Related U.S. Application Data

[62] Division of Ser. No. 10,258, Jul. 2, 1993, Pat. No. 355,414.

[30] Foreign Application Priority Data

Mar. 30, 1993	[JP]	Japan	5-9080
Mar. 30, 1993	[JP]	Japan	5-9081
Mar. 30, 1993	[JP]	Japan	5-9082
Mar. 30, 1993	[JP]	Japan	5-9083
Mar. 30, 1993	[JP]	Japan	5-9084

[52] U.S. Cl. **D14/121**

[58] Field of Search **D14/114, 120-123, D14/299; 242/342-345, 345.1-345.3, 346, 346.2; 273/85 G, DIG. 28**

[56] References Cited

U.S. PATENT DOCUMENTS

D. 252,753	8/1979	Thompson et al.
D. 292,399	10/1987	Yukawa
D. 294,020	2/1988	Yukawa
D. 299,726	2/1989	Yukawa
D. 307,921	5/1990	Barr

D. 308,197	5/1990	Inoue	
D. 312,081	11/1990	Yukawa	
D. 317,913	7/1991	Inoue	
D. 320,203	9/1991	Ashida	
D. 321,429	11/1991	Kojo	
D. 334,725	3/1994	Barr et al.	D14/121
D. 337,568	7/1993	Ellis	D14/121
D. 344,504	2/1994	Barr et al.	D14/121
D. 344,700	3/1994	Barr et al.	D14/121

OTHER PUBLICATIONS

"Nintendo Power", vol. 25, Jun., 1991, Special Feature Game Boy, p. 51.

Primary Examiner—Terry A. Wallace

Assistant Examiner—Nanda Bondade

Attorney, Agent, or Firm—Nixon & Vanderhye

[57] CLAIM

The ornamental design for a cartridge for video game machine, as shown.

DESCRIPTION

FIG. 1 is a top, front and right side perspective view of a cartridge for a video game machine showing my new design; FIG. 2 is a bottom, rear and left side perspective view thereof;

FIG. 3 is a front elevation view;

FIG. 4 is a rear elevation view;

FIG. 5 is a bottom plan view;

FIG. 6 is a top plan view; and,

FIG. 7 is a right side view, the left side being a mirror image thereof.

1 Claim, 3 Drawing Sheets

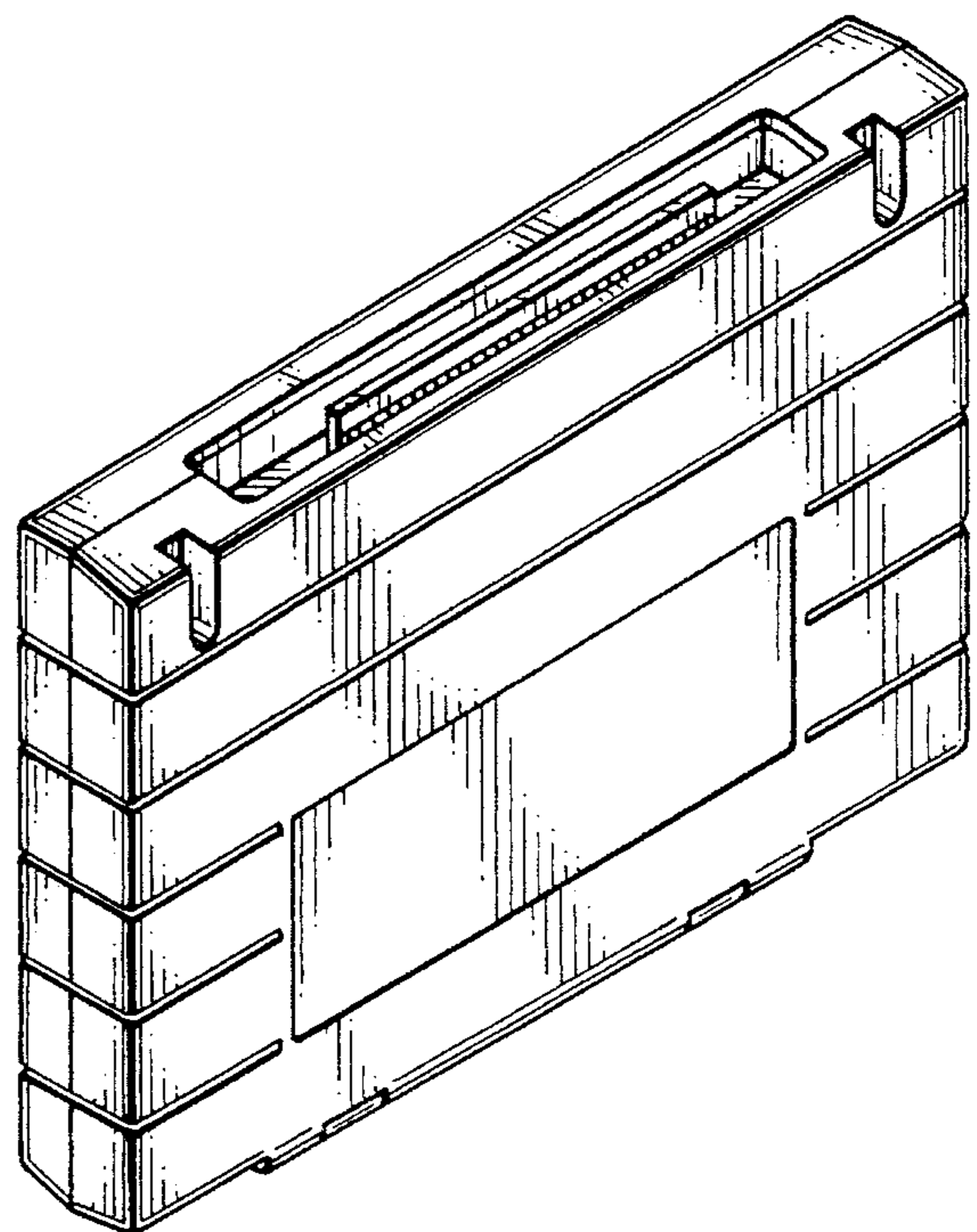
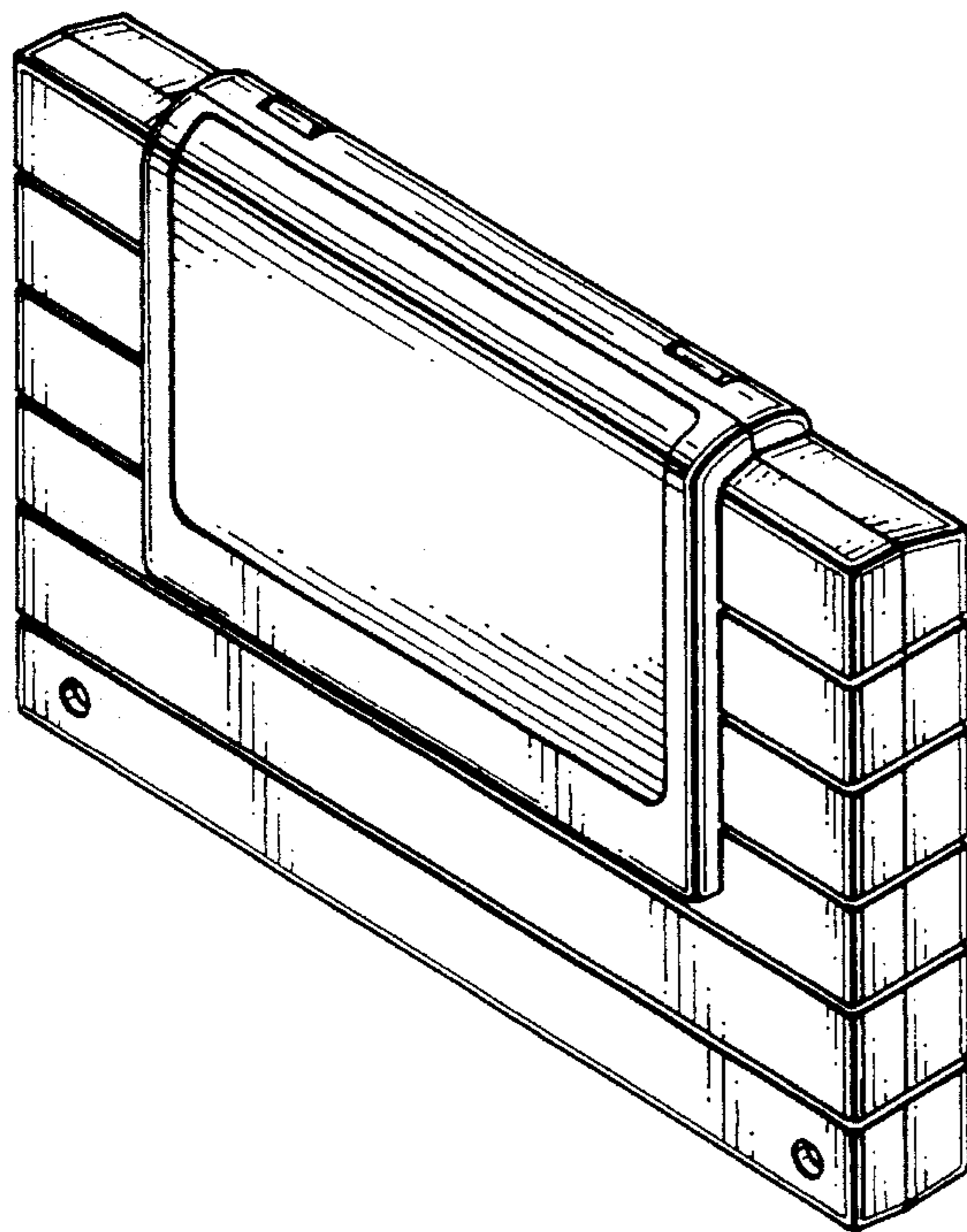


FIG. 1

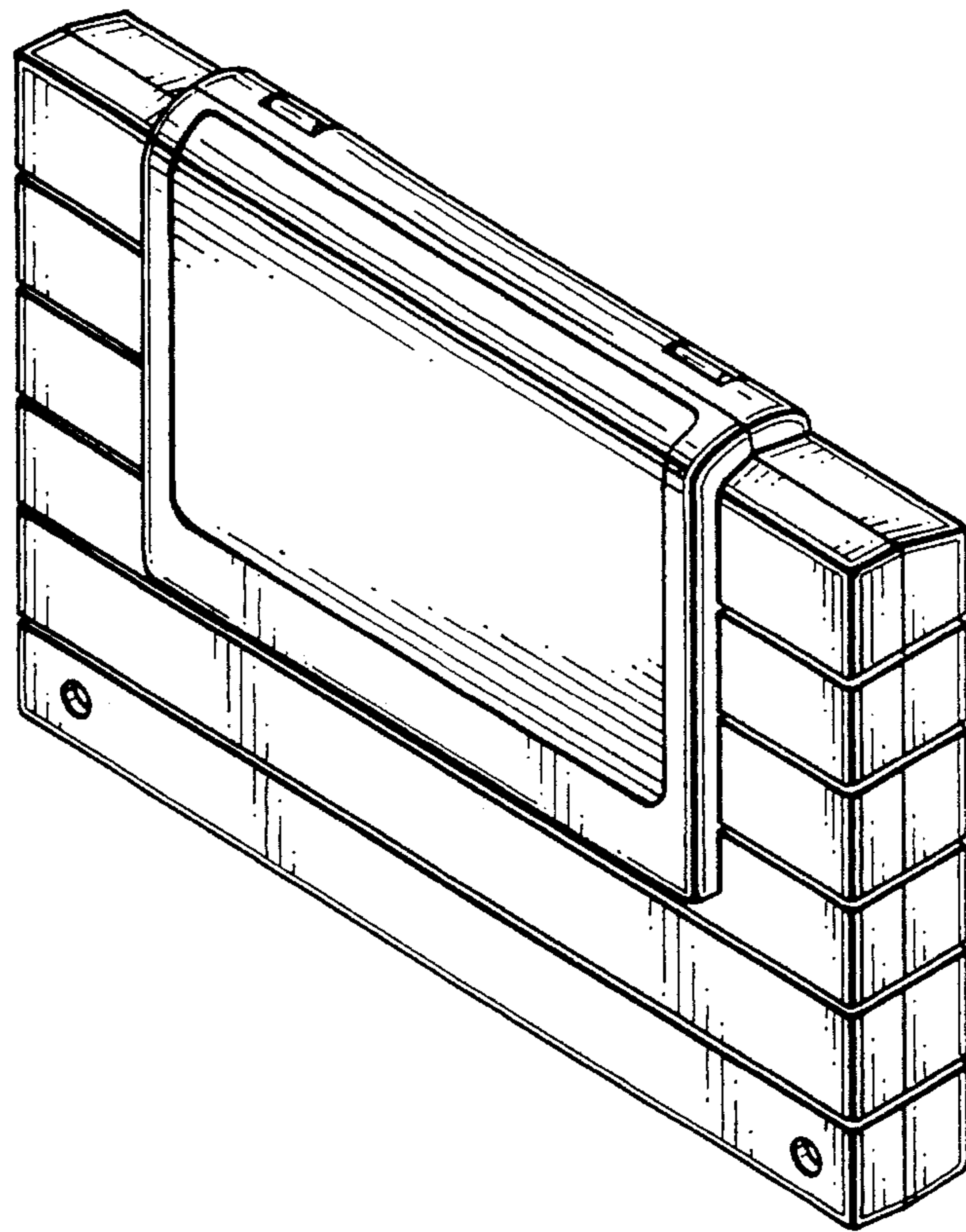


FIG. 2

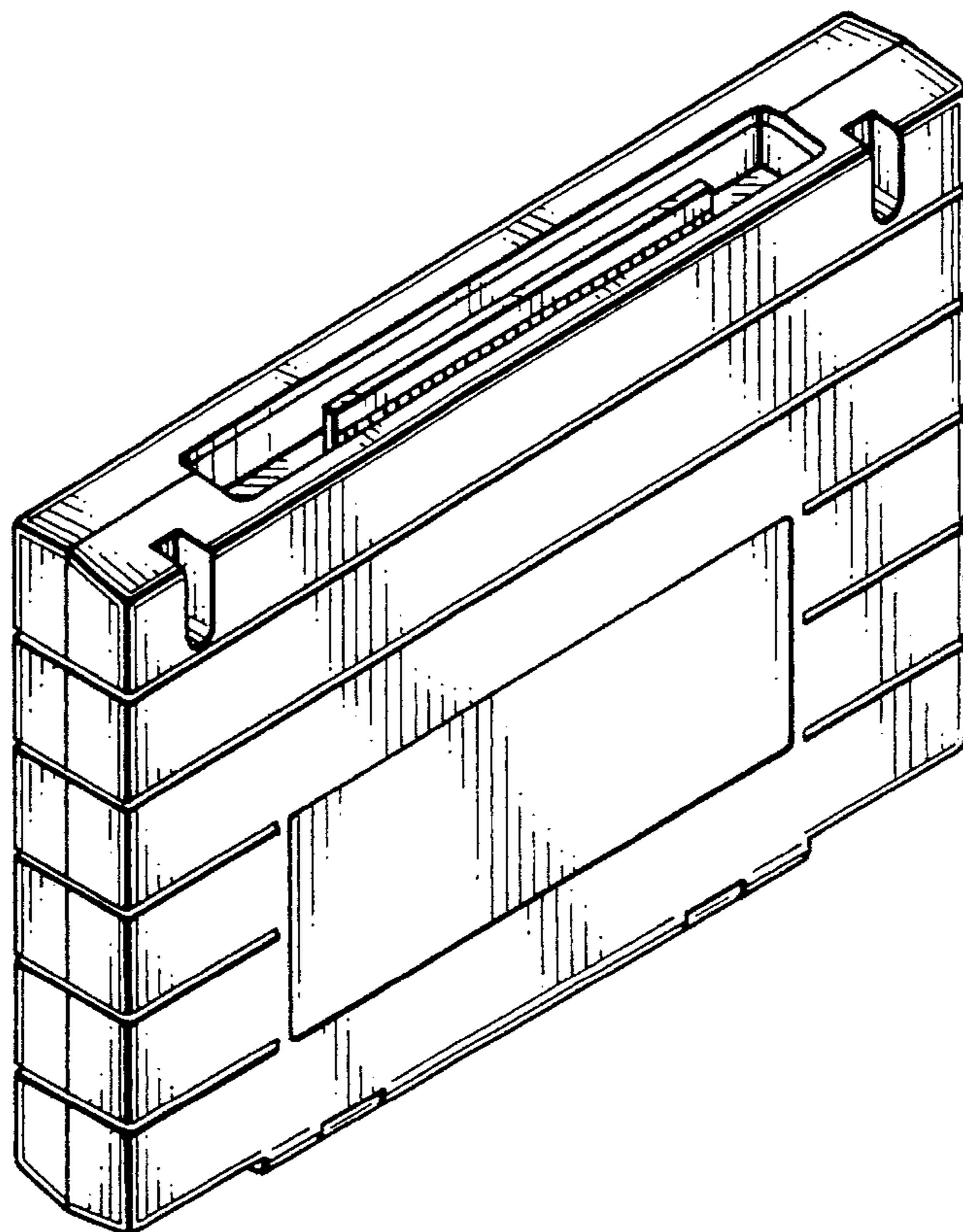


FIG. 3

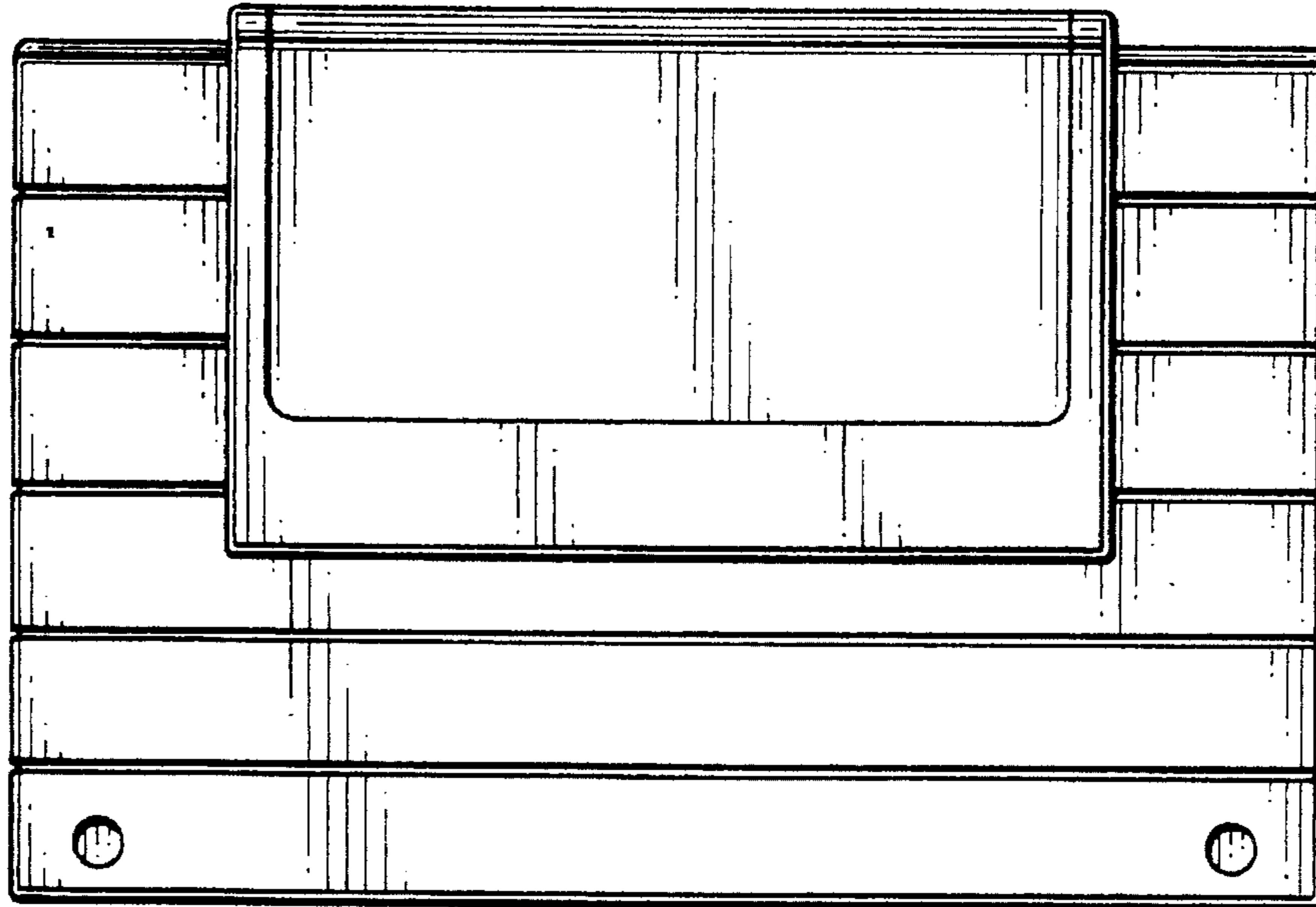


FIG. 4

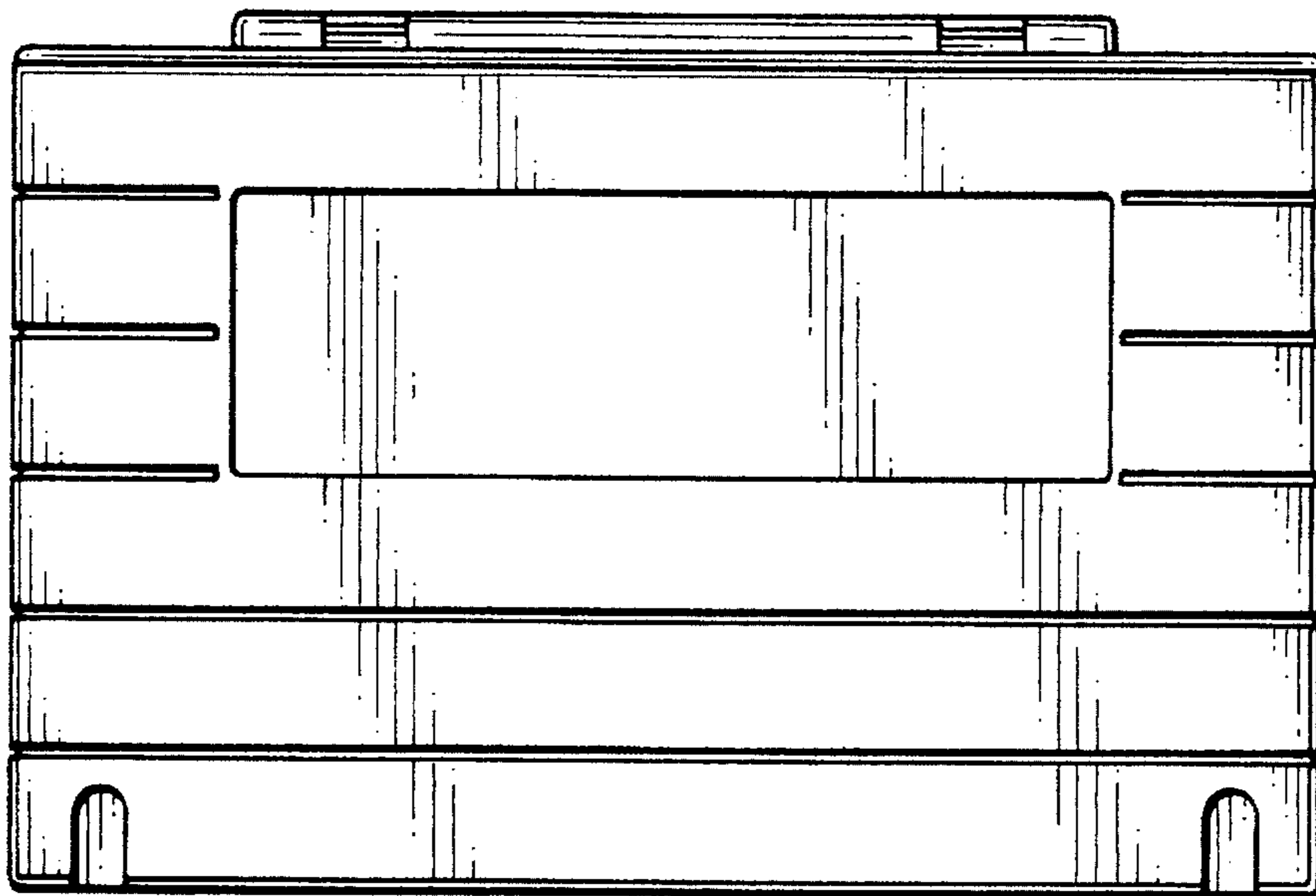


FIG. 5

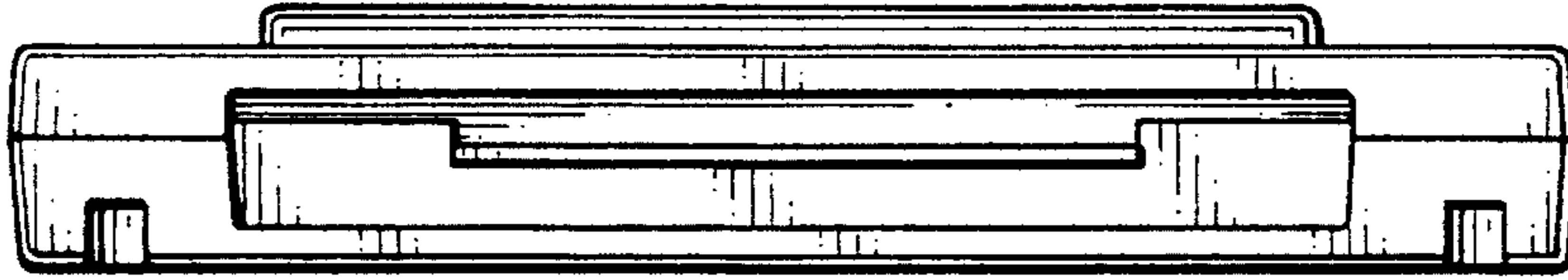


FIG. 6

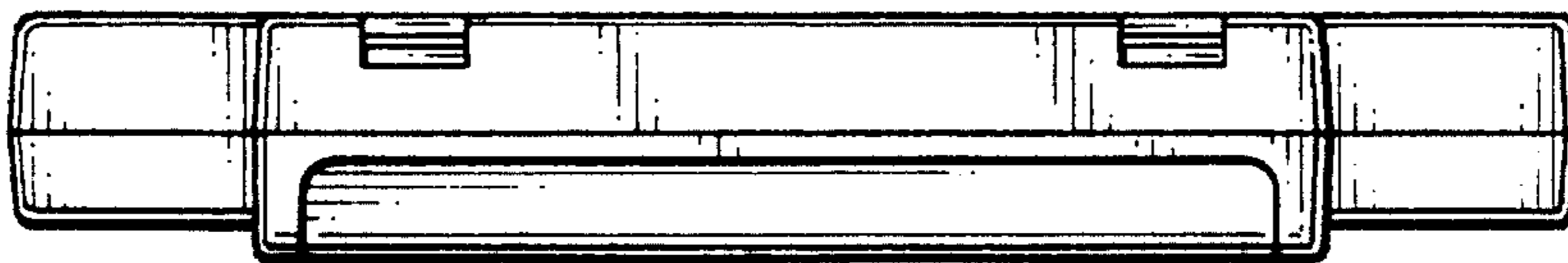


FIG. 7

