



US00D362843S

United States Patent [19]

[11] Patent Number: **Des. 362,843**

Alfonso et al.

[45] Date of Patent: ****Oct. 3, 1995**

[54] **COMPUTER CABINET**

D. 346,156 4/1994 Lee et al. D14/100

[75] Inventors: **Pedro M. Alfonso; Jeffrey L. Kline; Karen M. MacMurtrie**, all of Austin, Tex.

Primary Examiner—Freda S. Nunn
Attorney, Agent, or Firm—Casimer K. Sahys

[73] Assignee: **International Business Machines Corporation**, Armonk, N.Y.

[57] **CLAIM**

[**] Term: **14 Years**

The ornamental design for a computer cabinet, as shown and described.

[21] Appl. No.: **25,959**

DESCRIPTION

[22] Filed: **Jul. 18, 1994**

[52] U.S. Cl. **D14/102; D6/432**

[58] **Field of Search** D14/100, 102, D14/107-109; D13/152, 184, 199; 312/208.1, 223.2, 223.3, 194; 360/97.01, 97.04, 98.01, 99.01, 99.12; 361/600, 622, 724-728; D6/421, 423, 422, 432

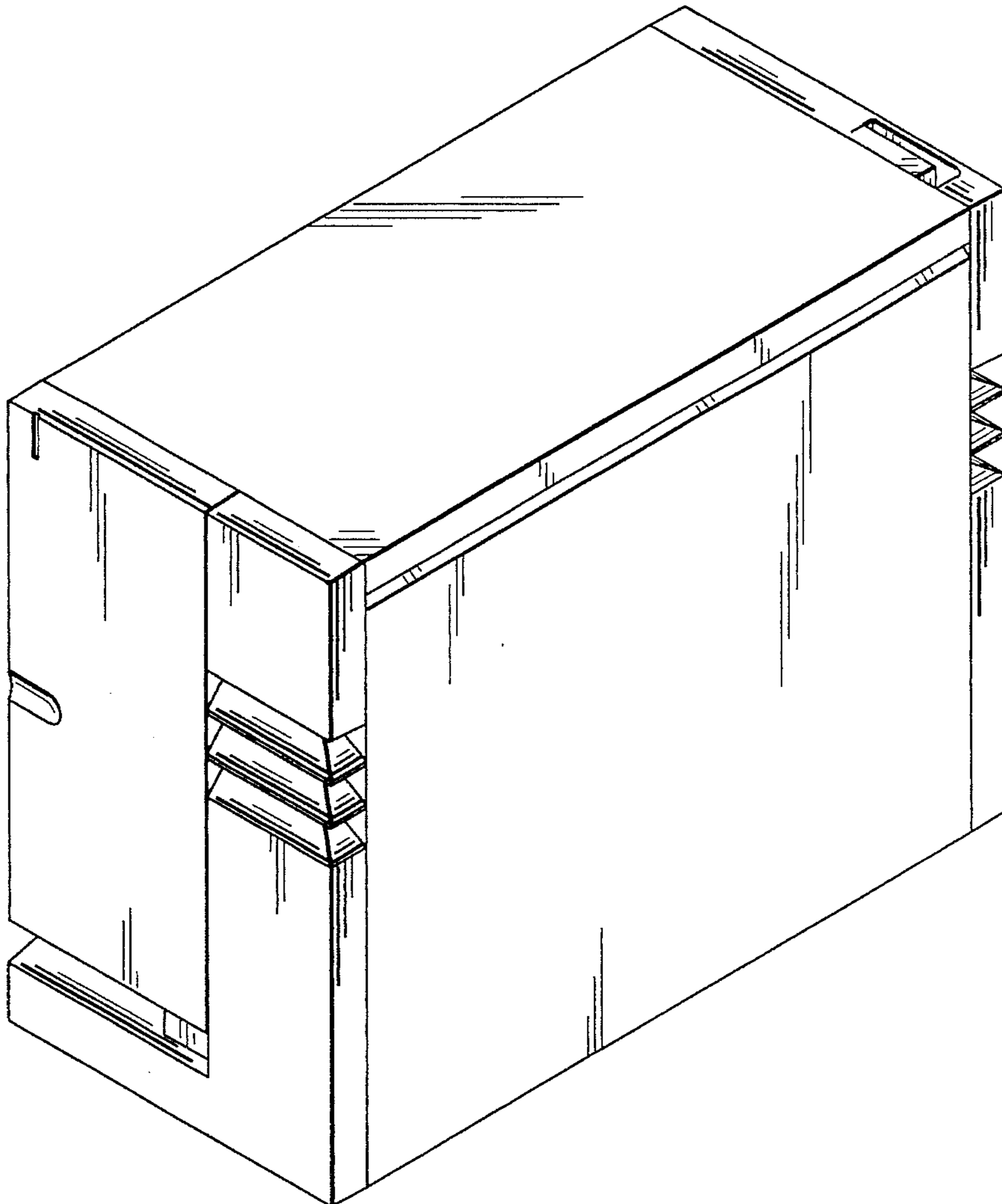
FIG. 1 is a front plan view of the computer cabinet;
FIG. 2 is a front plan view, with door open, thereof;
FIG. 3 is a right side plan view thereof;
FIG. 4 is a left side plan view thereof;
FIG. 5 is a rear plan view thereof; and,
FIG. 6 is a top, front, right side perspective view thereof.
The undisclosed bottom is flat and unornamented.

[56] **References Cited**

U.S. PATENT DOCUMENTS

D. 344,931 3/1994 Mousa D14/100

1 Claim, 6 Drawing Sheets



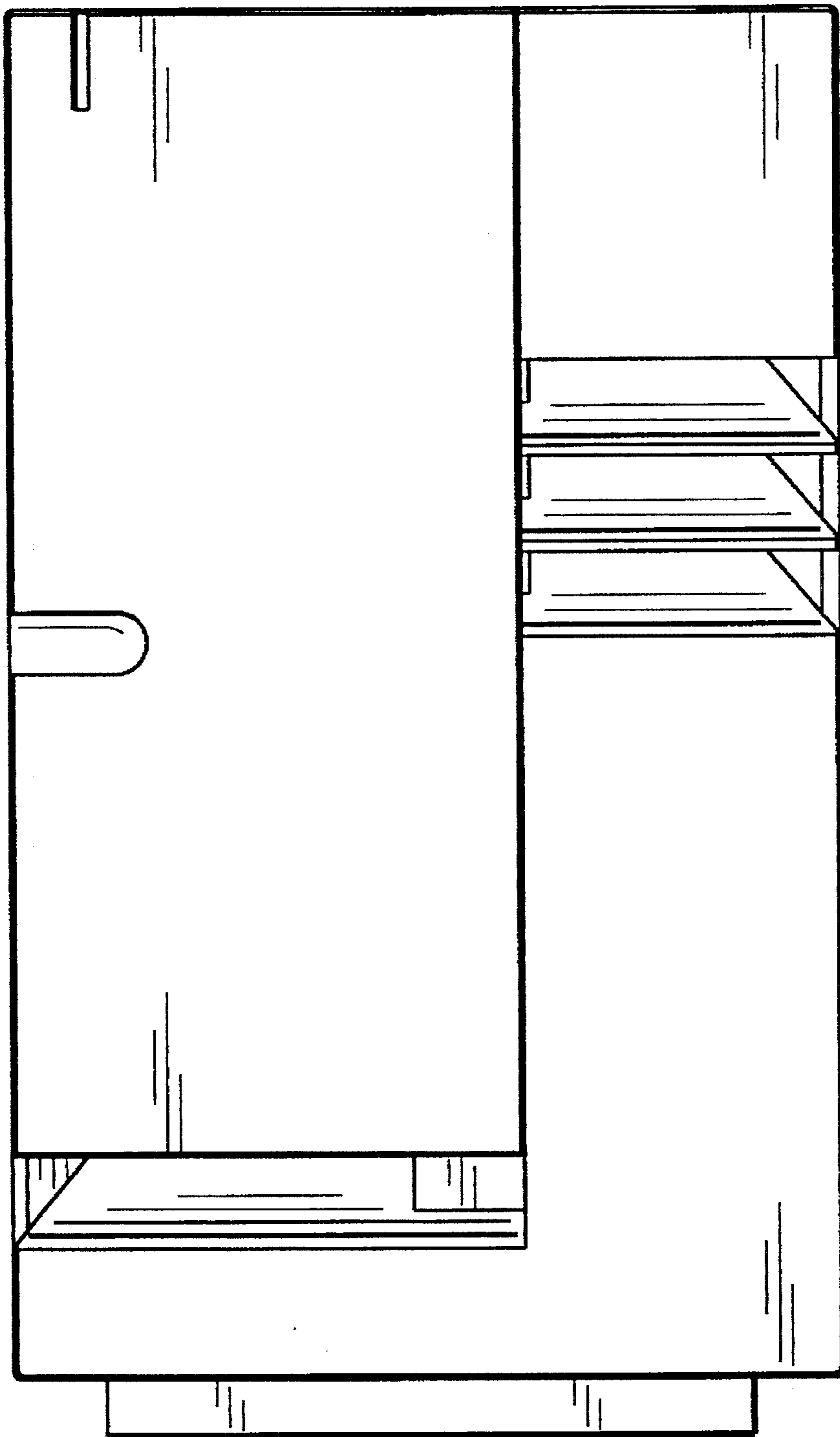


FIG. 1

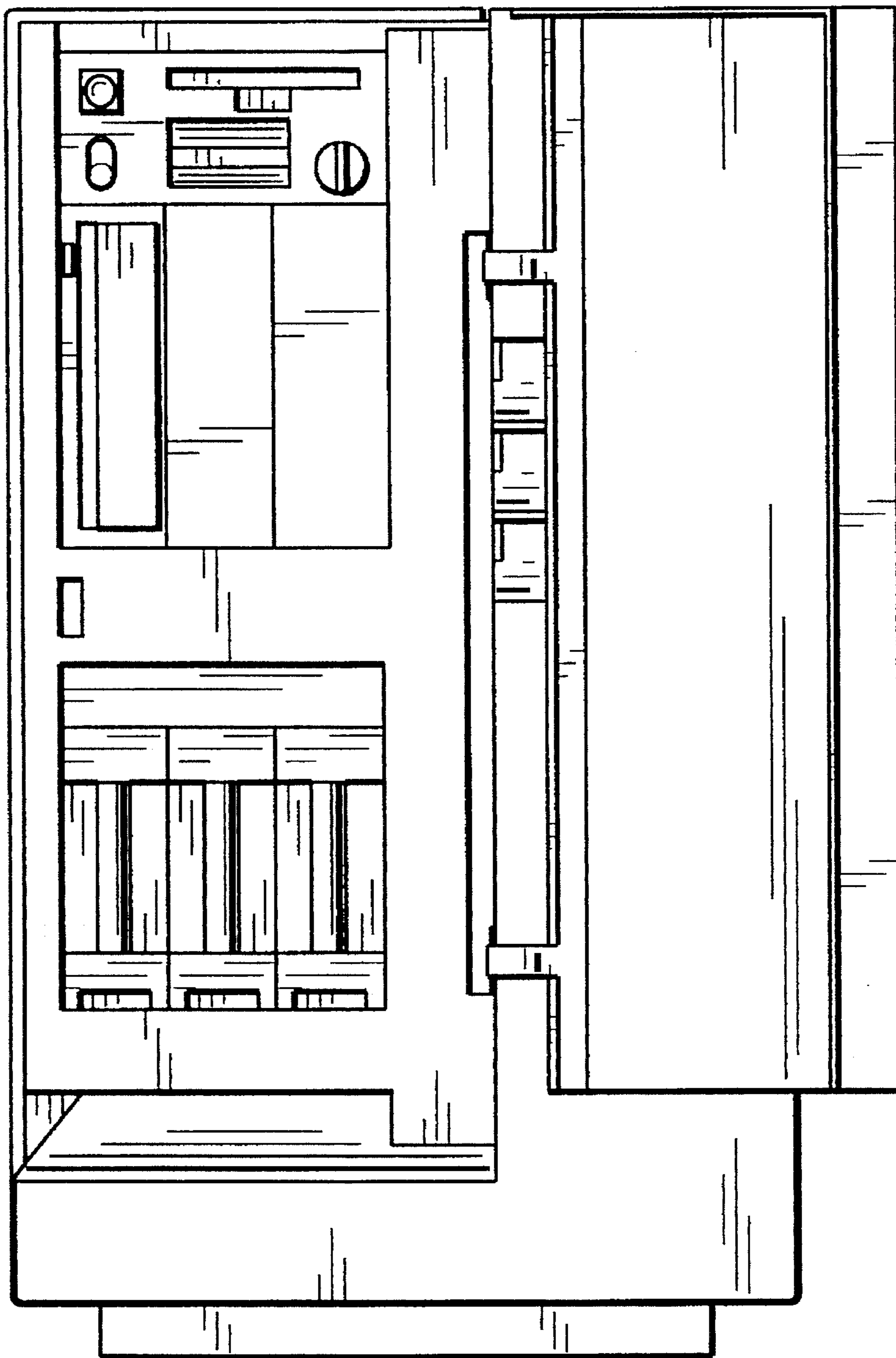


FIG. 2

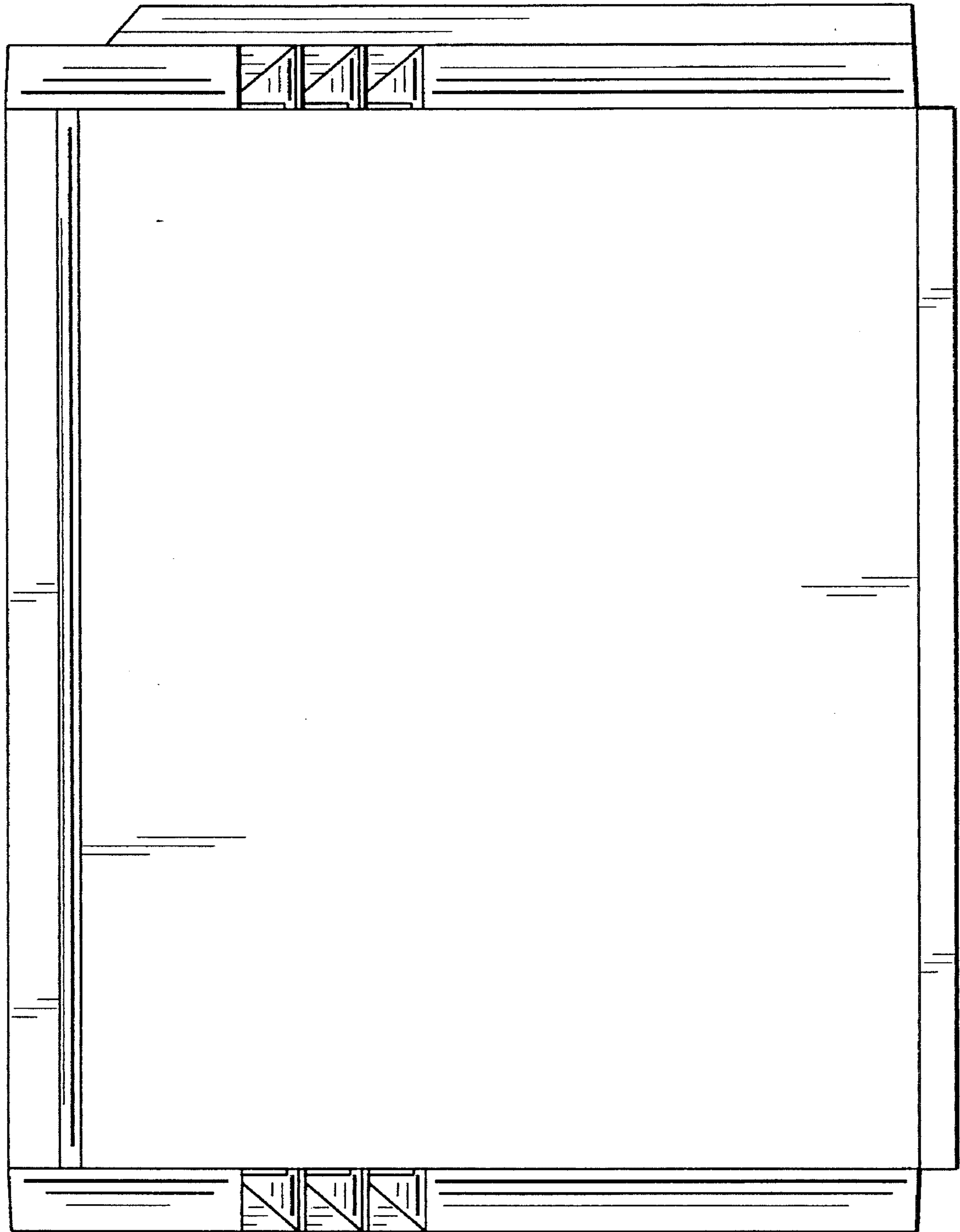


FIG. 3

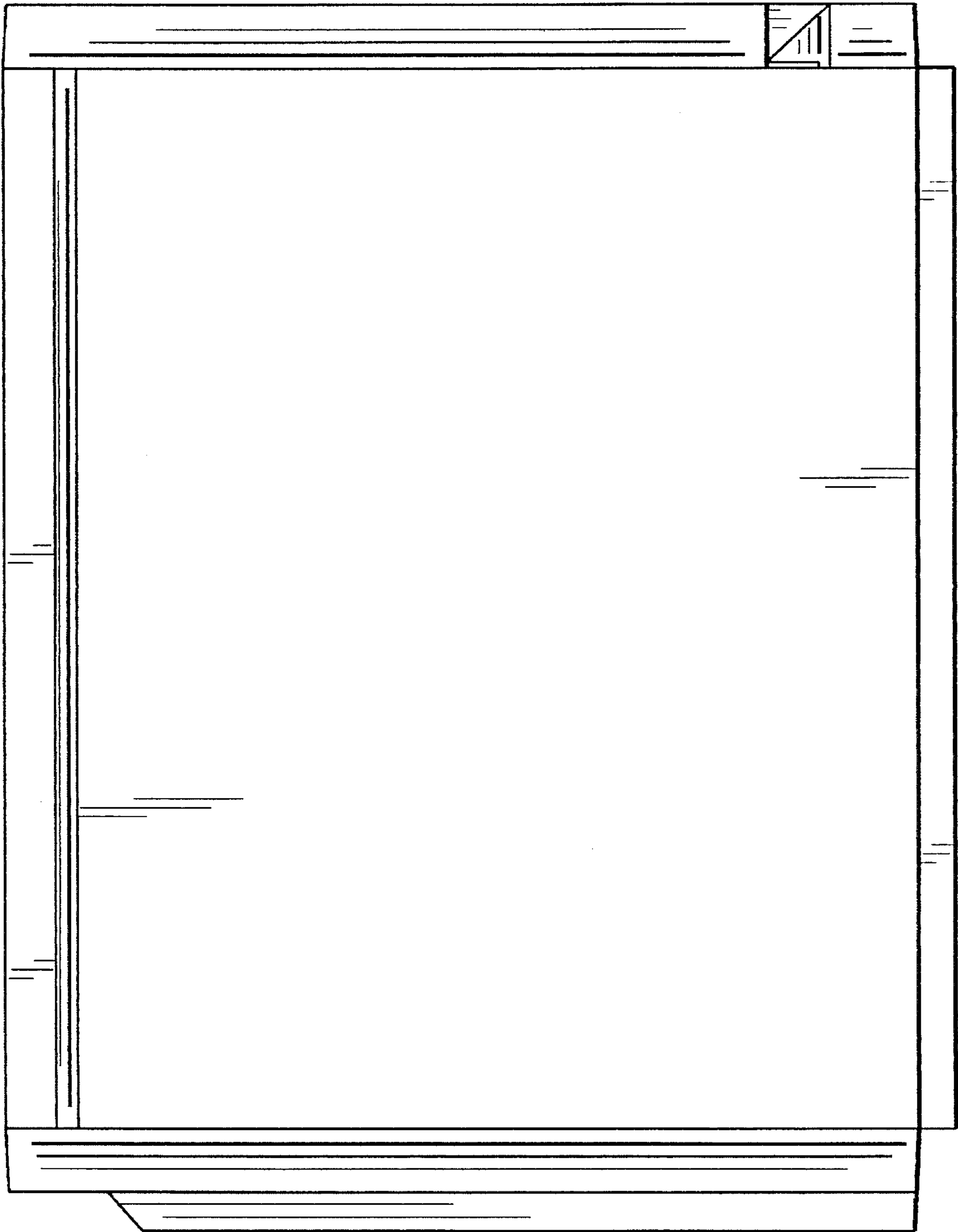


FIG. 4

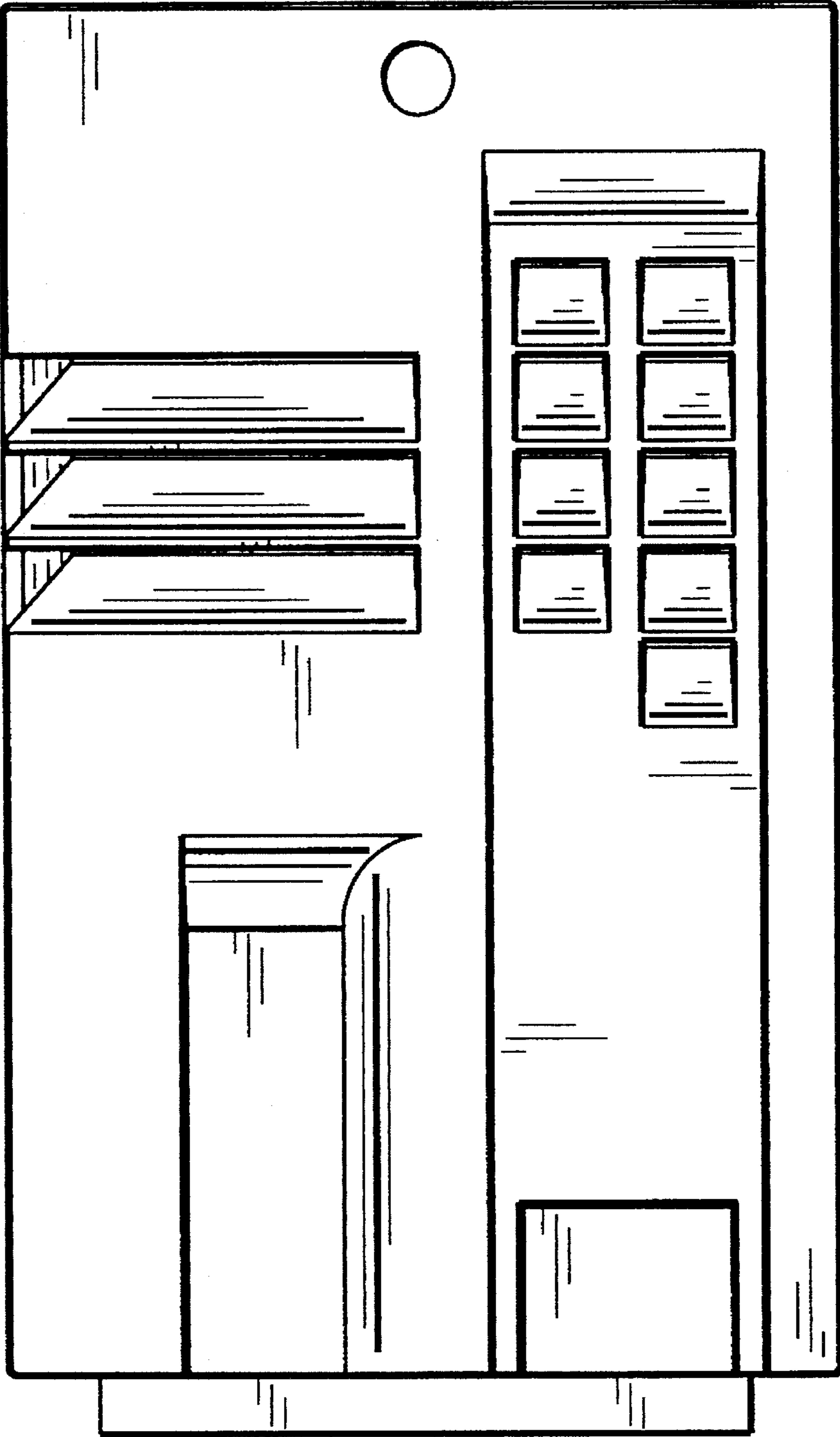


FIG. 5

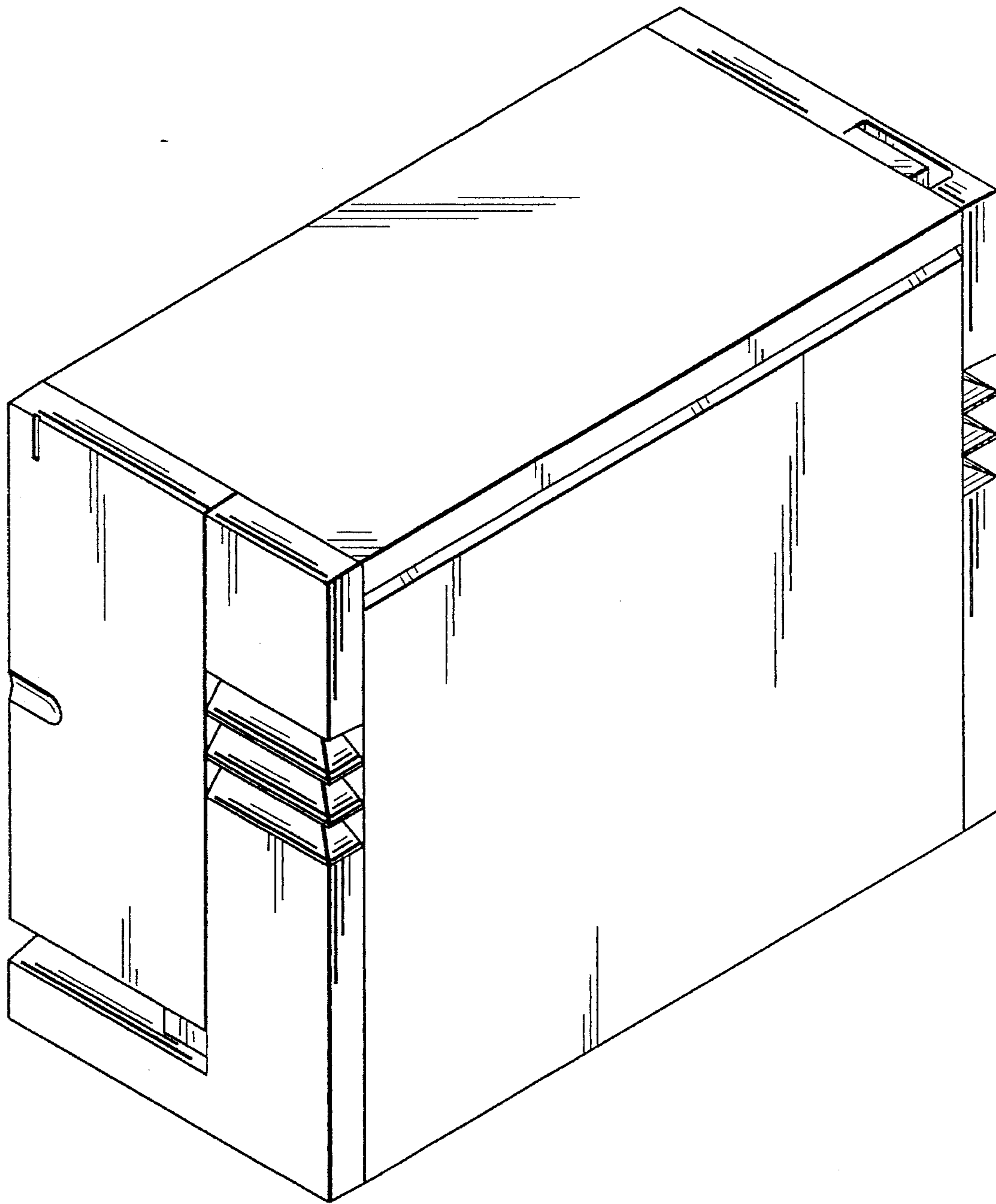


FIG. 6