



US00D362841S

United States Patent [19]

[11] Patent Number: **Des. 362,841**

Roza

[45] Date of Patent: ****Oct. 3, 1995**

[54] **ELECTRIC SWITCH**

Attorney, Agent, or Firm—Martin A. Farber

[75] Inventor: **Ivan Roza**, Olten, Switzerland

[57] **CLAIM**

[73] Assignee: **Elektro-Apparatebau Olten AG**,
Olten, Switzerland

The ornamental design for an electric switch, as shown and described.

[**] Term: **14 Years**

DESCRIPTION

[21] Appl. No.: **25,027**

FIG. 1 is a perspective view of the switch of the invention, wherein an upper part of the switch is indicated by the letter A and a lower part of the switch is indicated by the letter B;

[22] Filed: **Jun. 27, 1994**

[30] **Foreign Application Priority Data**

FIGS. 2-7 show different views of the switch according the arrows 2 to 7 in FIG. 1, each arrow indicating a direction of viewing;

Feb. 16, 1994 [CH] Switzerland 121113

[52] U.S. Cl. **D13/171**

[58] Field of Search D13/171; 200/293,
200/296, 302.2, 314, 341

FIG. 8 shows a perspective view of the upper part A of the switch;

[56] **References Cited**

U.S. PATENT DOCUMENTS

4,404,445 9/1983 Baran et al. 200/314

5,343,006 8/1994 Moffett 200/296

FIGS. 9-14 show different views of the upper part A of the switch according to arrows 9-14 in FIG. 8;

FOREIGN PATENT DOCUMENTS

240129 10/1987 European Pat. Off. 200/302.2

FIG. 15 shows a perspective view of the lower part B of the switch; and,

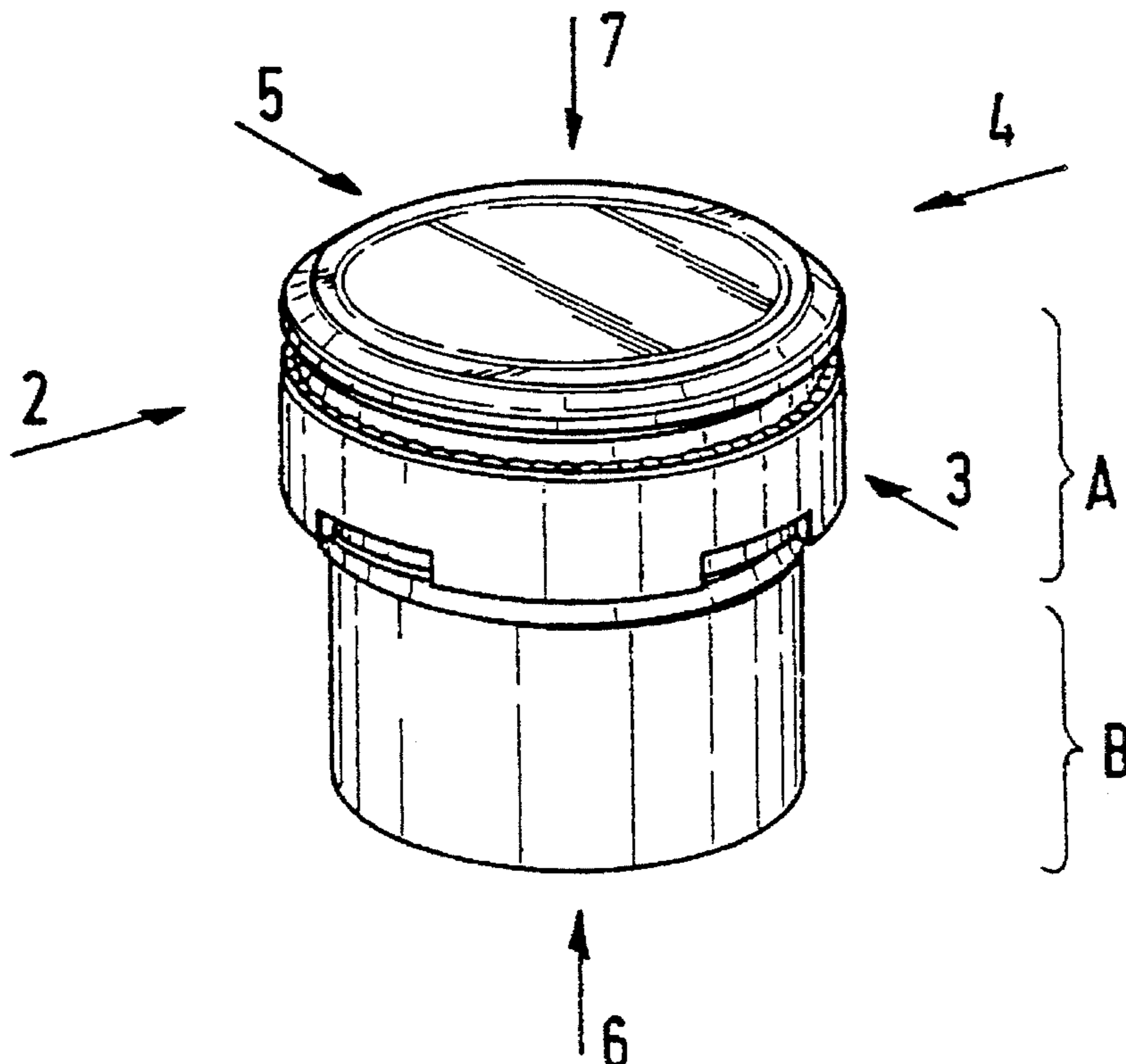
OTHER PUBLICATIONS

Mushroom push button switches on p. H8 of *AUGAT Alcoswitch* catalog ©1990.

FIGS. 16-21 show the different views of the lower part B of the switch according the arrows 16-21 in FIG. 15.

Primary Examiner—Joel Sincavage

1 Claim, 3 Drawing Sheets



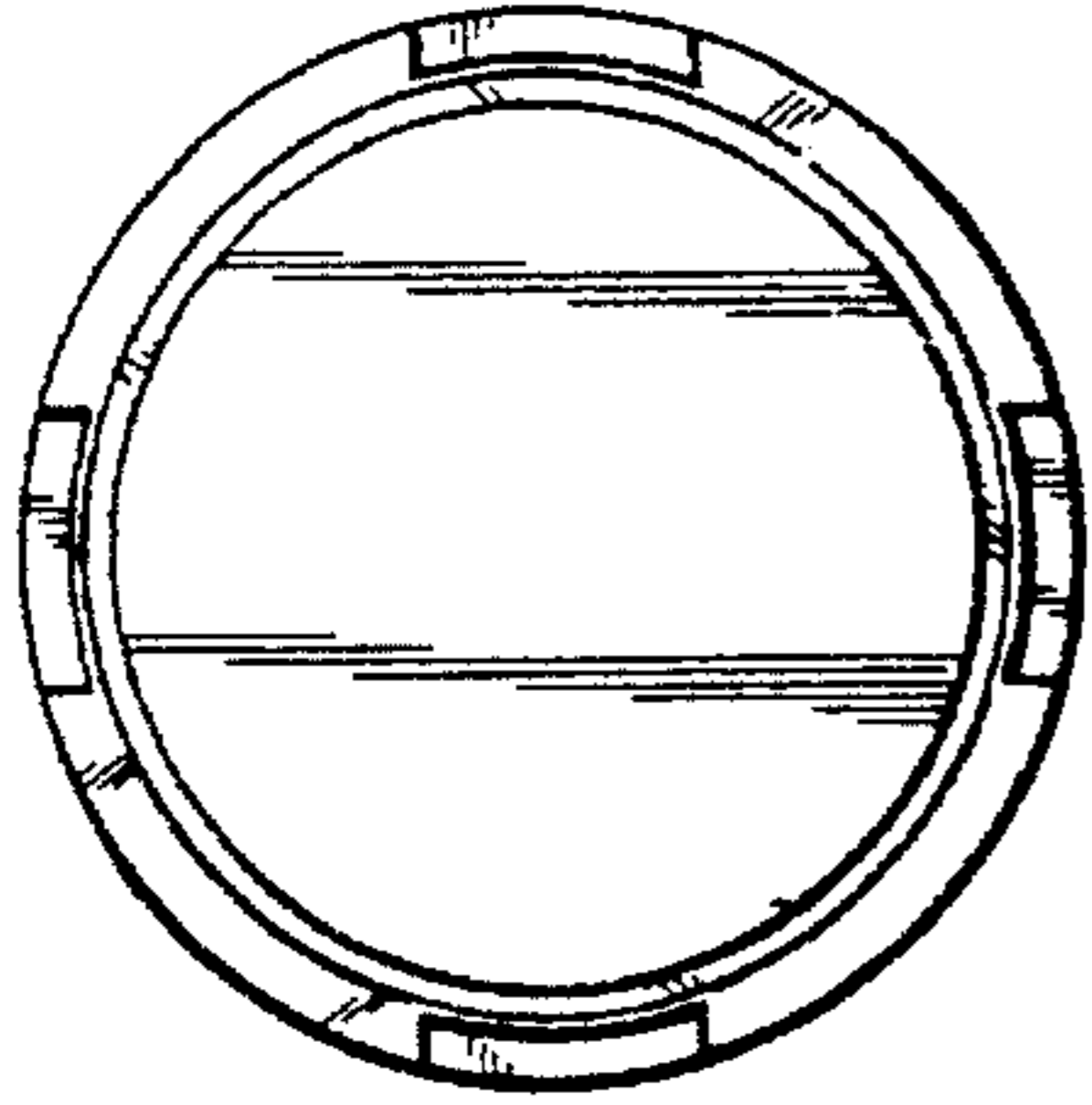


FIG. 6

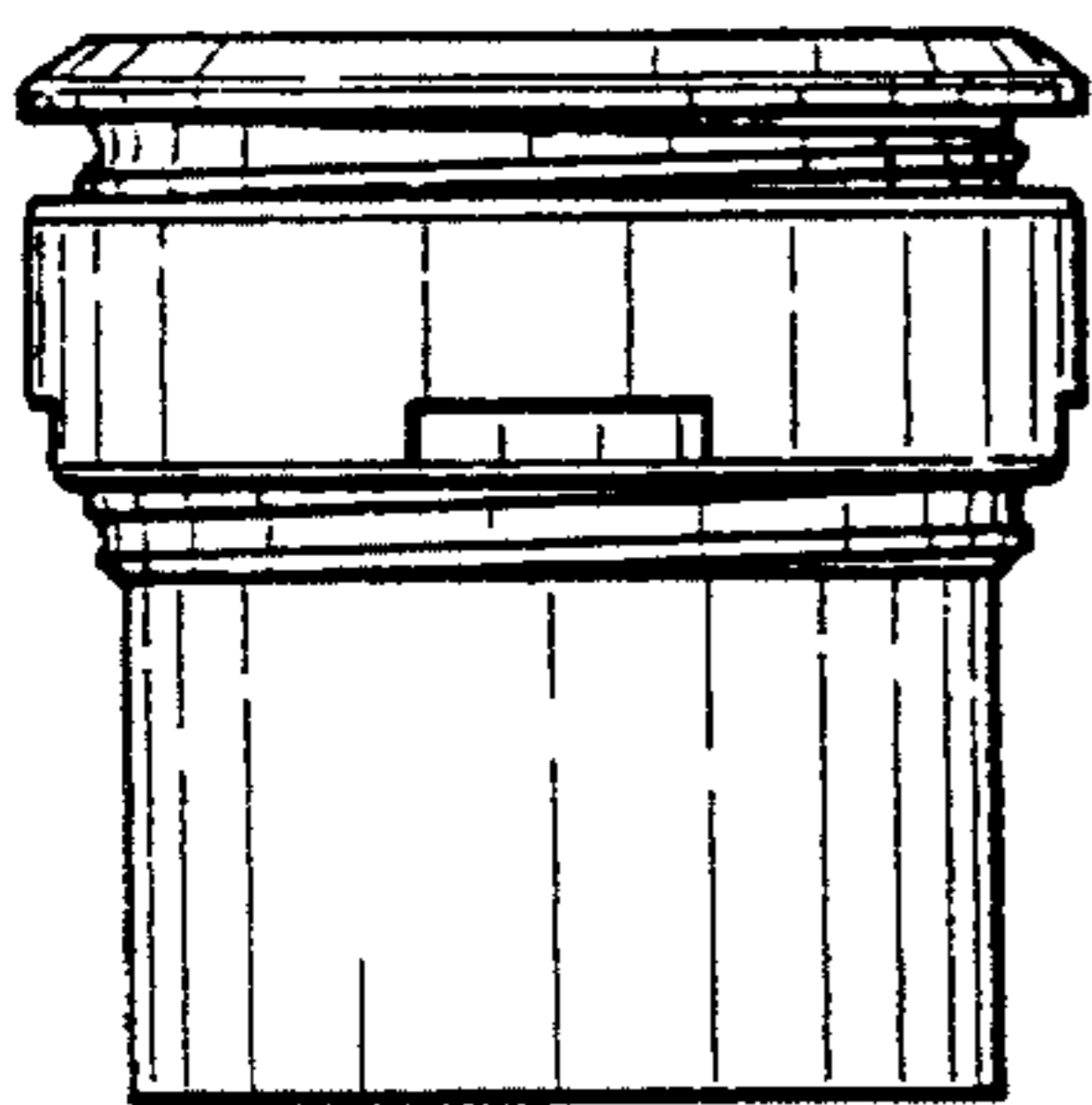


FIG. 2

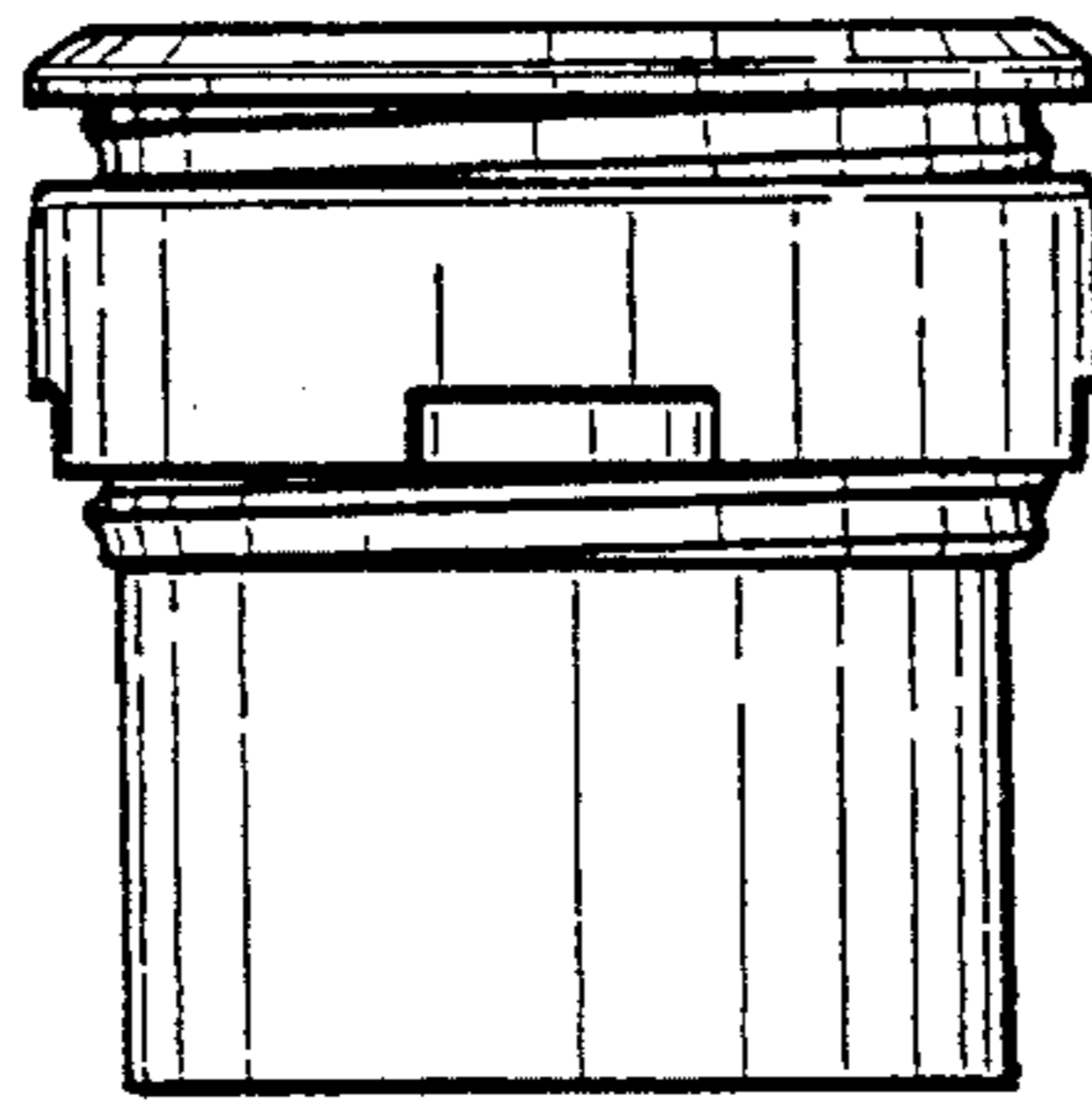


FIG. 5

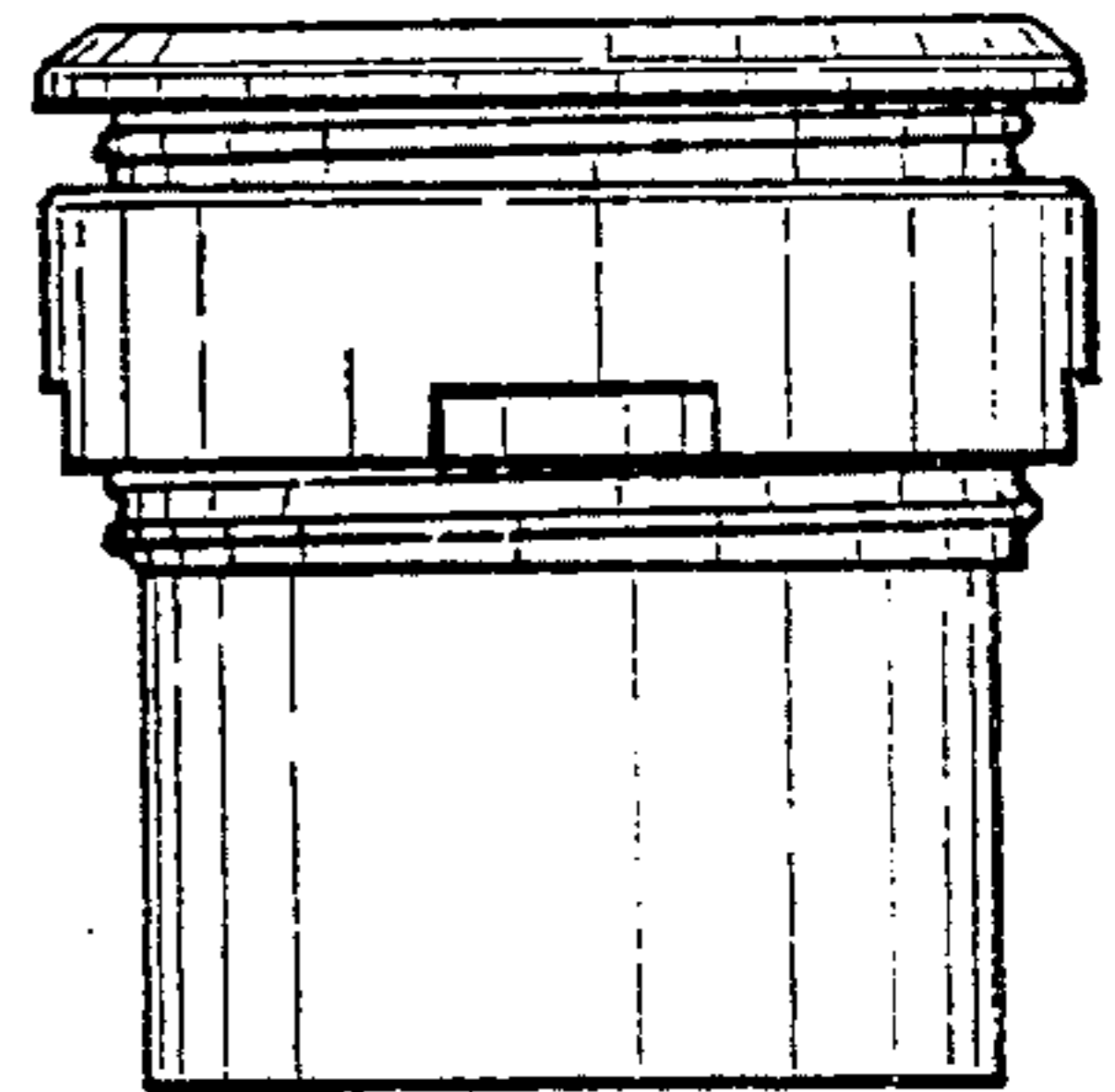


FIG. 3

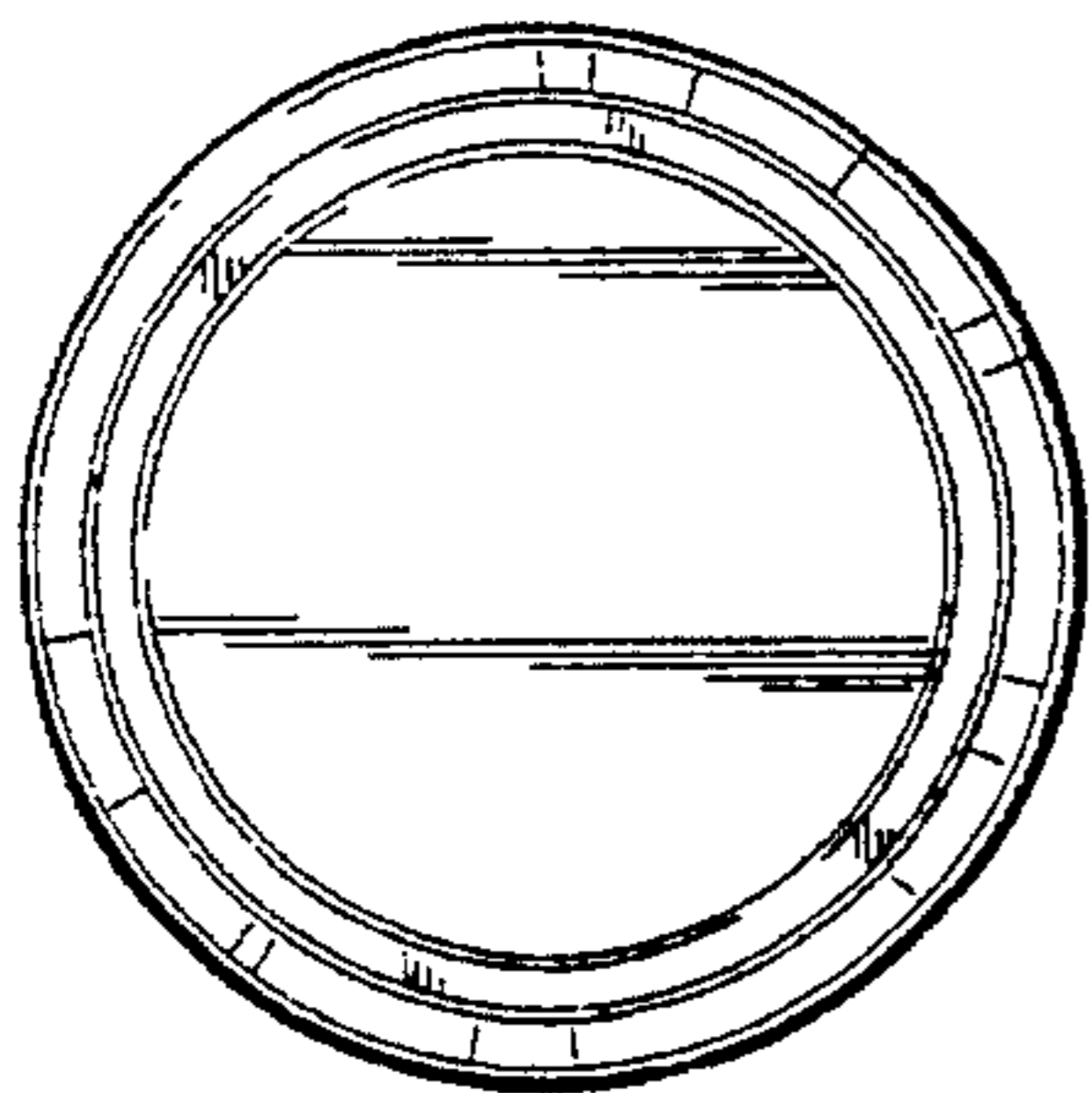


FIG. 7

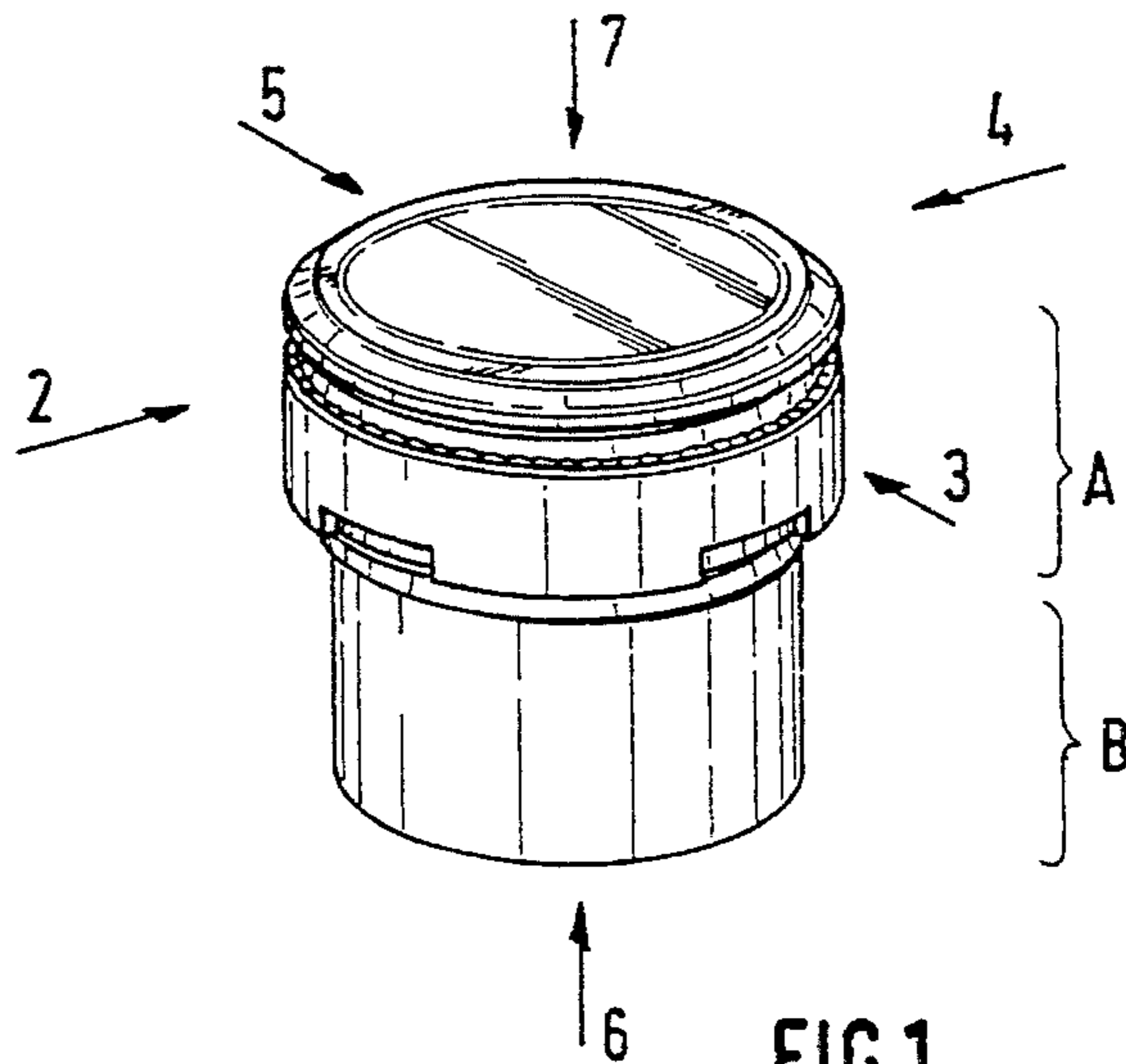


FIG. 1

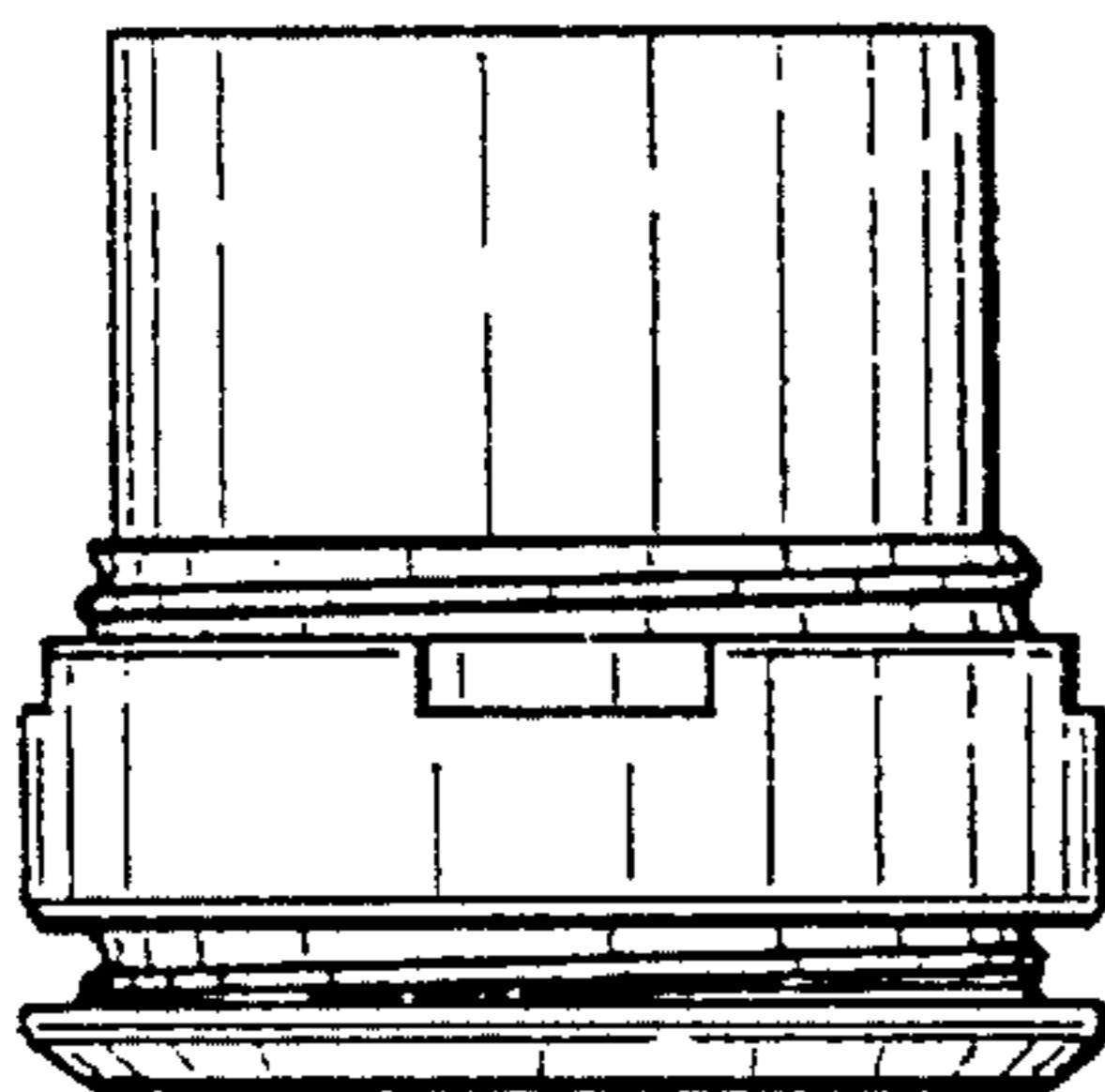


FIG. 4

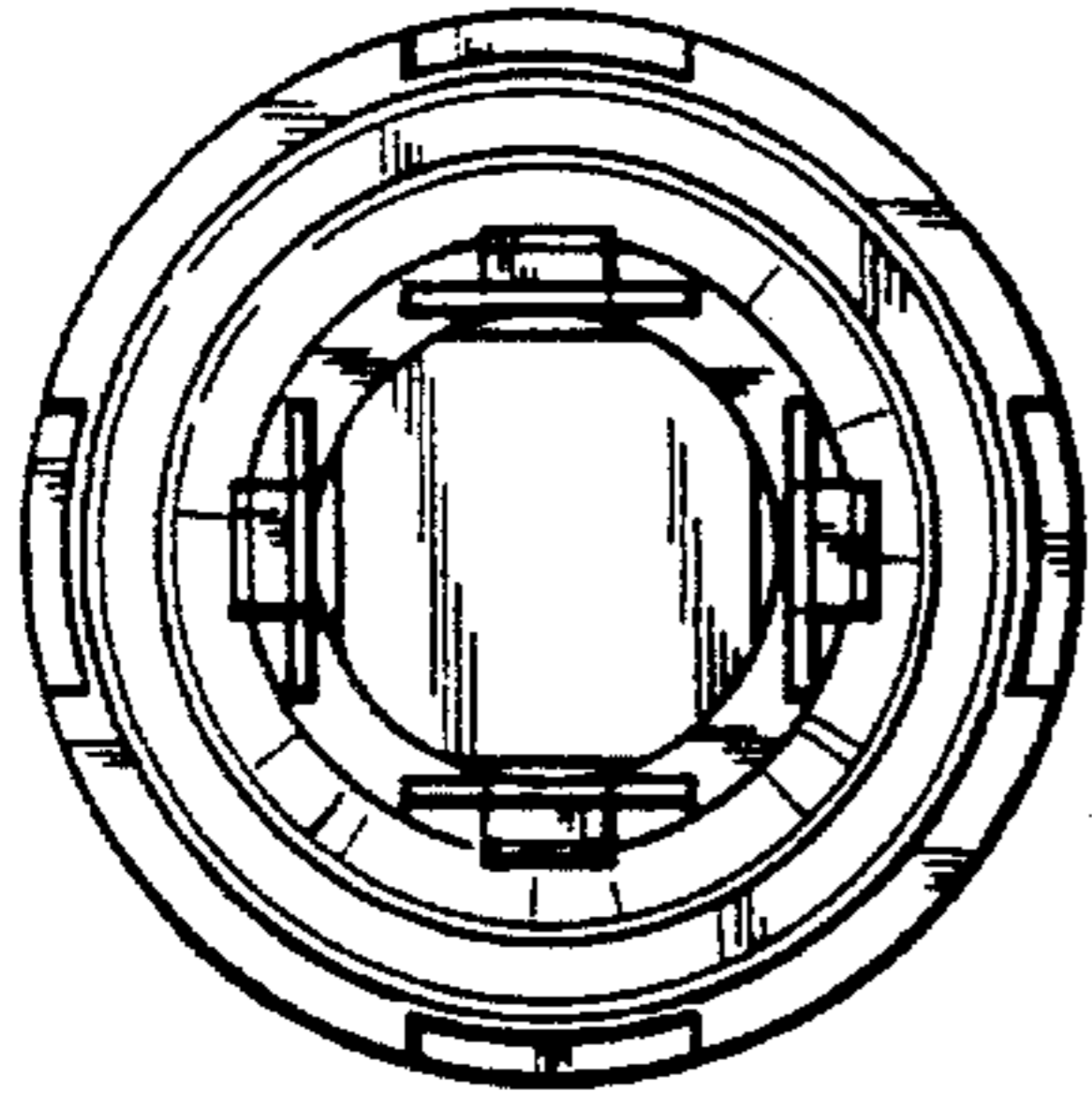


FIG.13

FIG.9

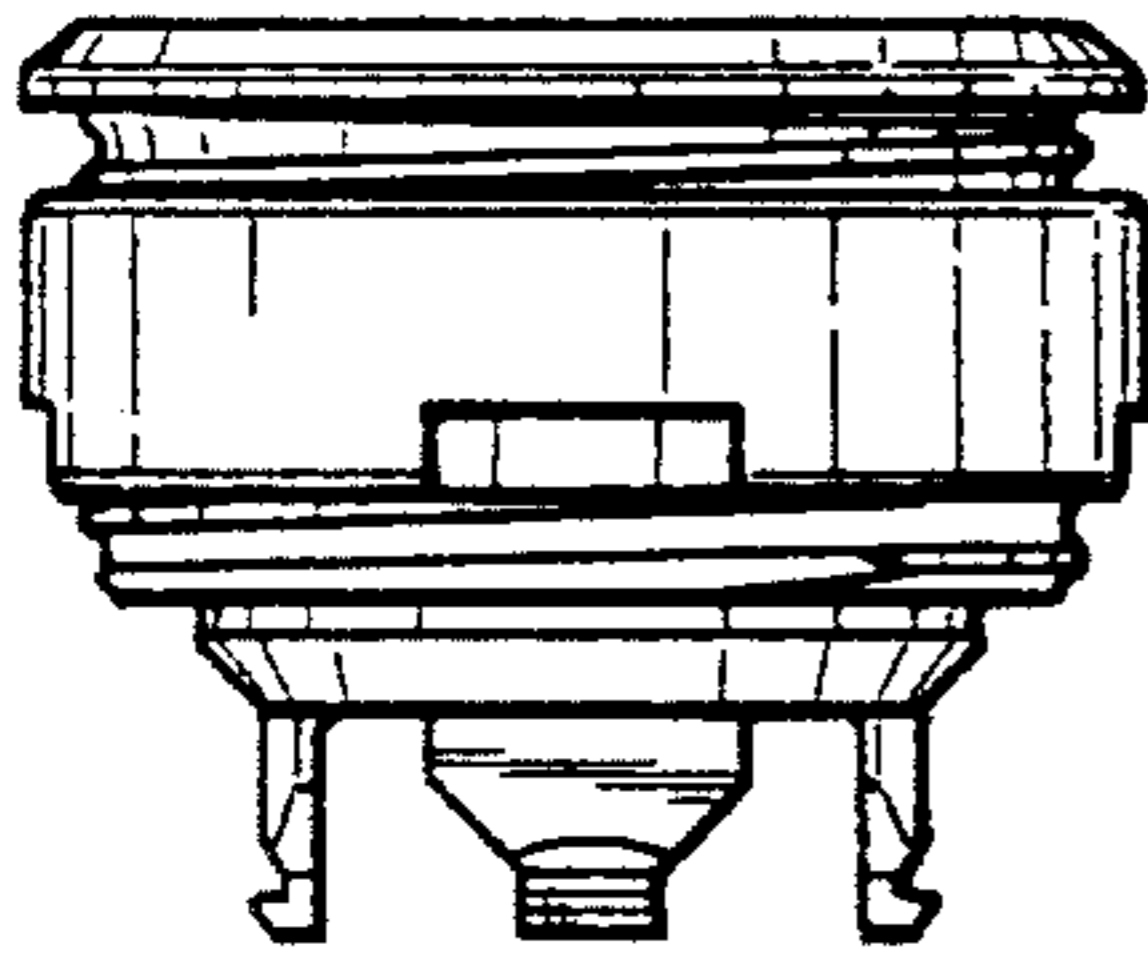


FIG.12

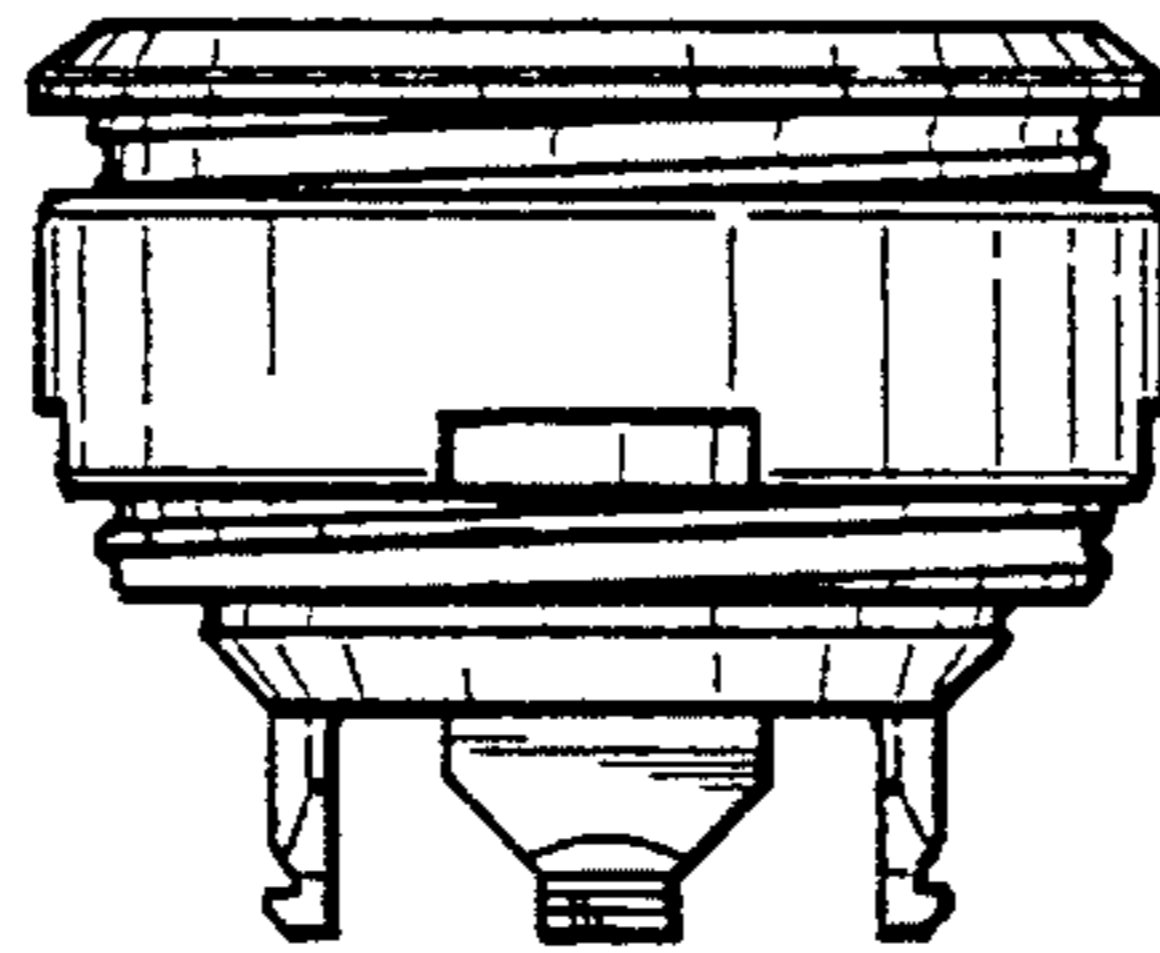


FIG.10

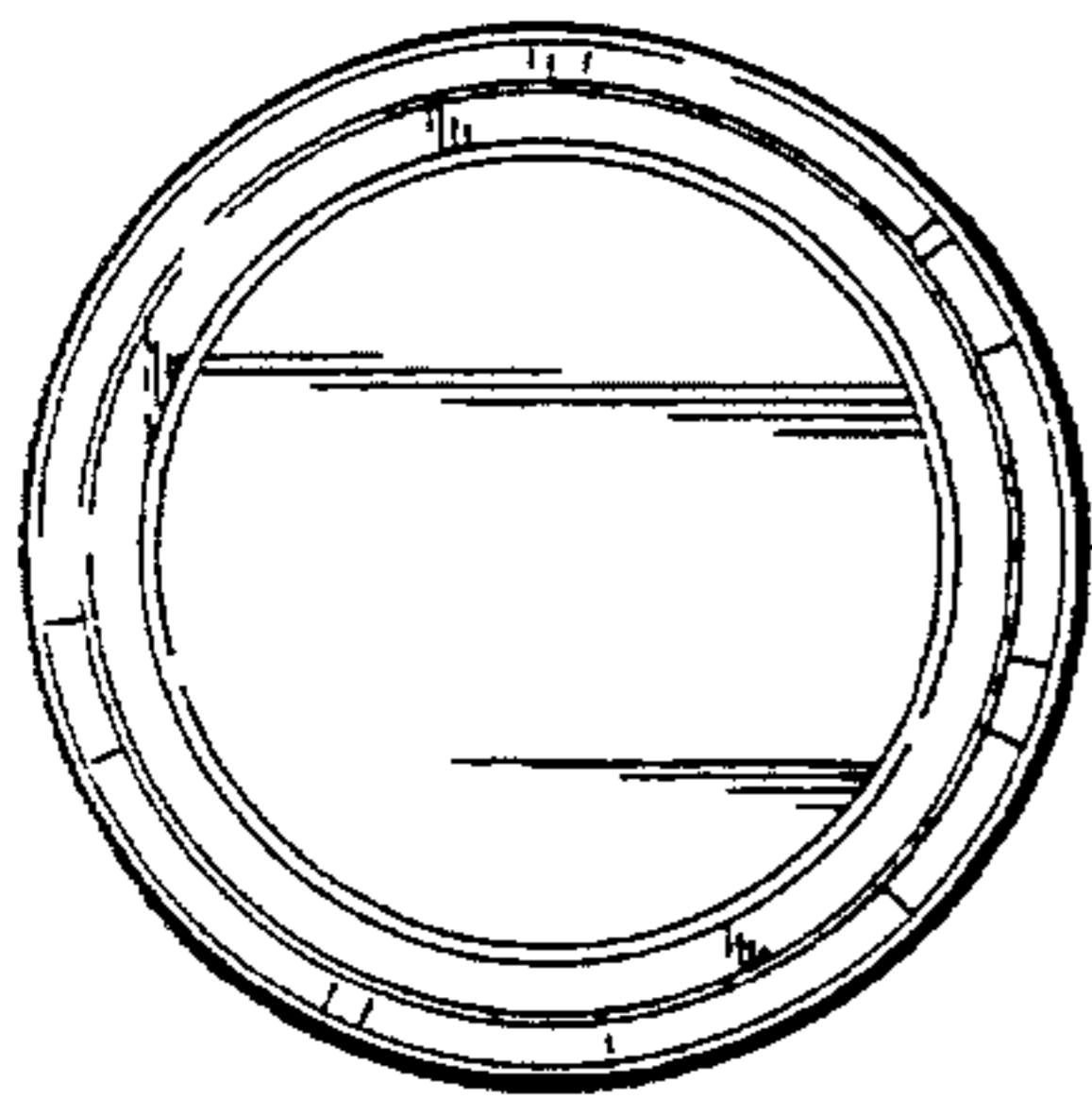
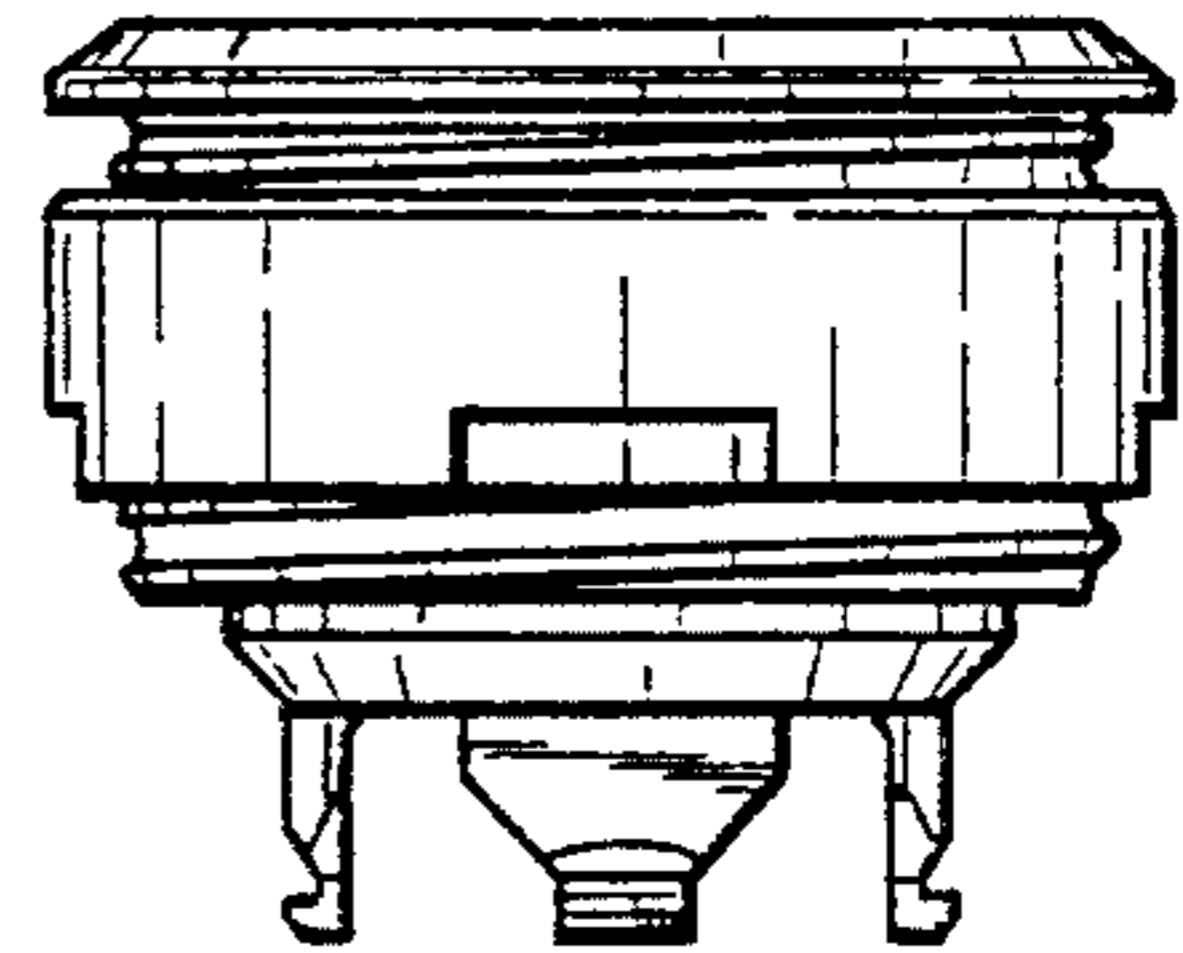


FIG.14

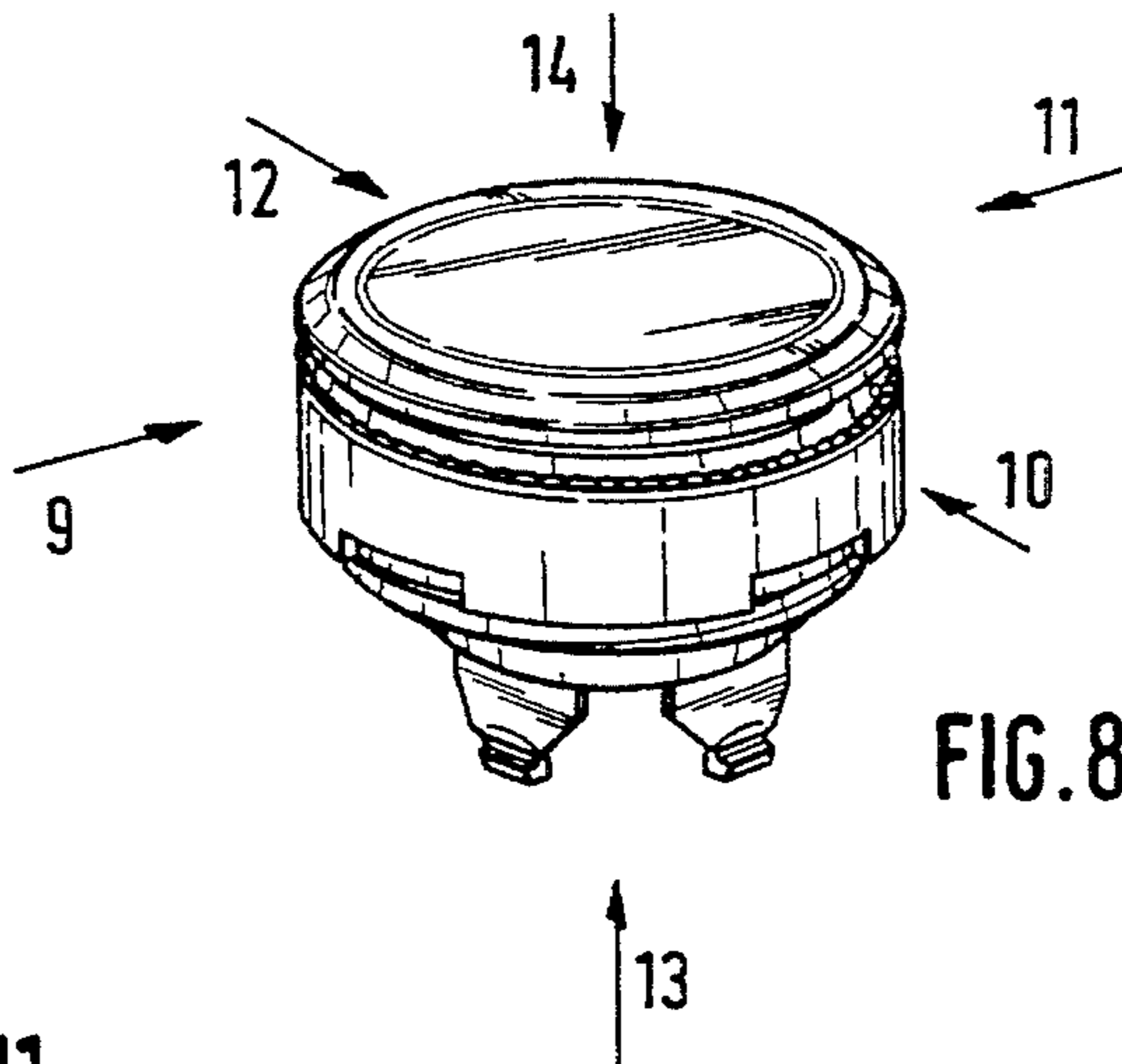


FIG.8

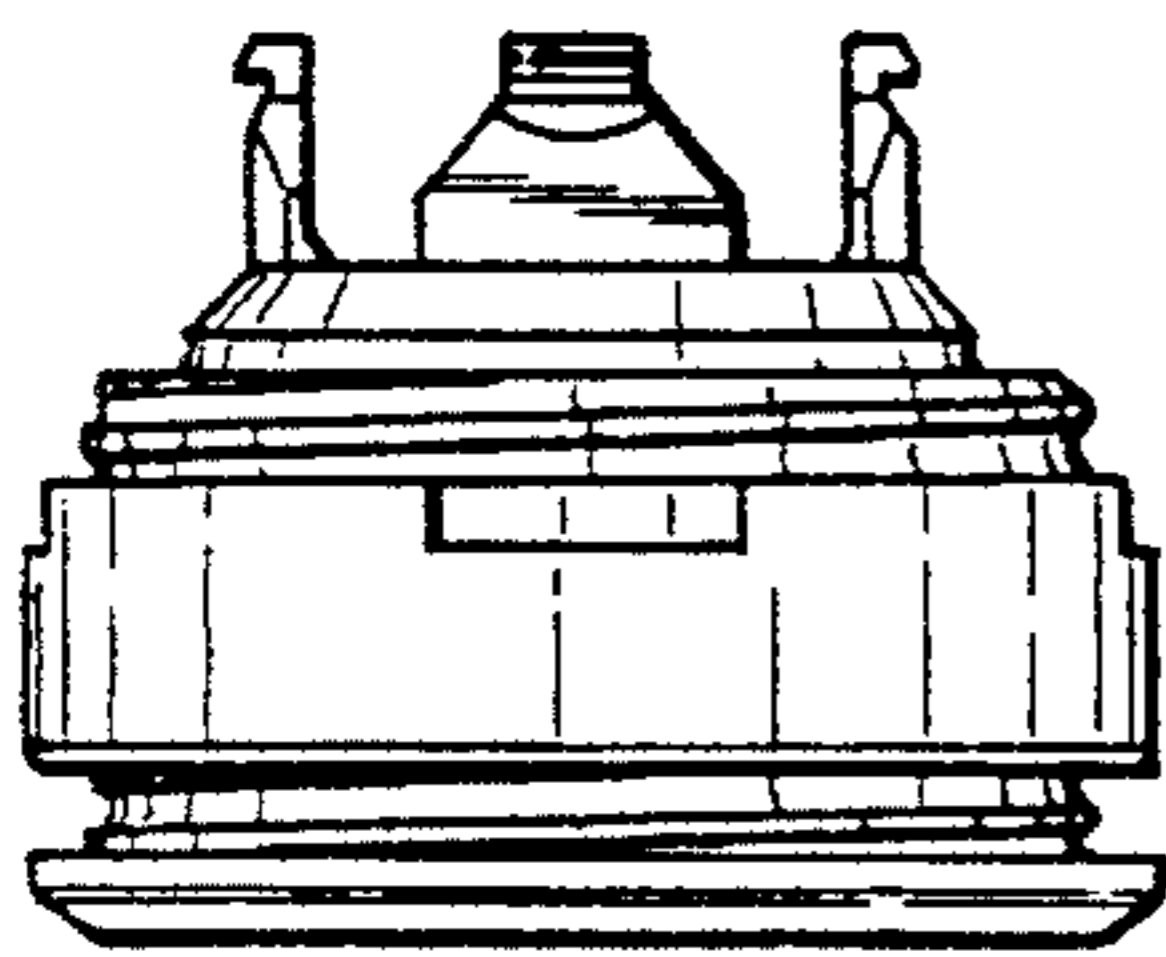


FIG.11

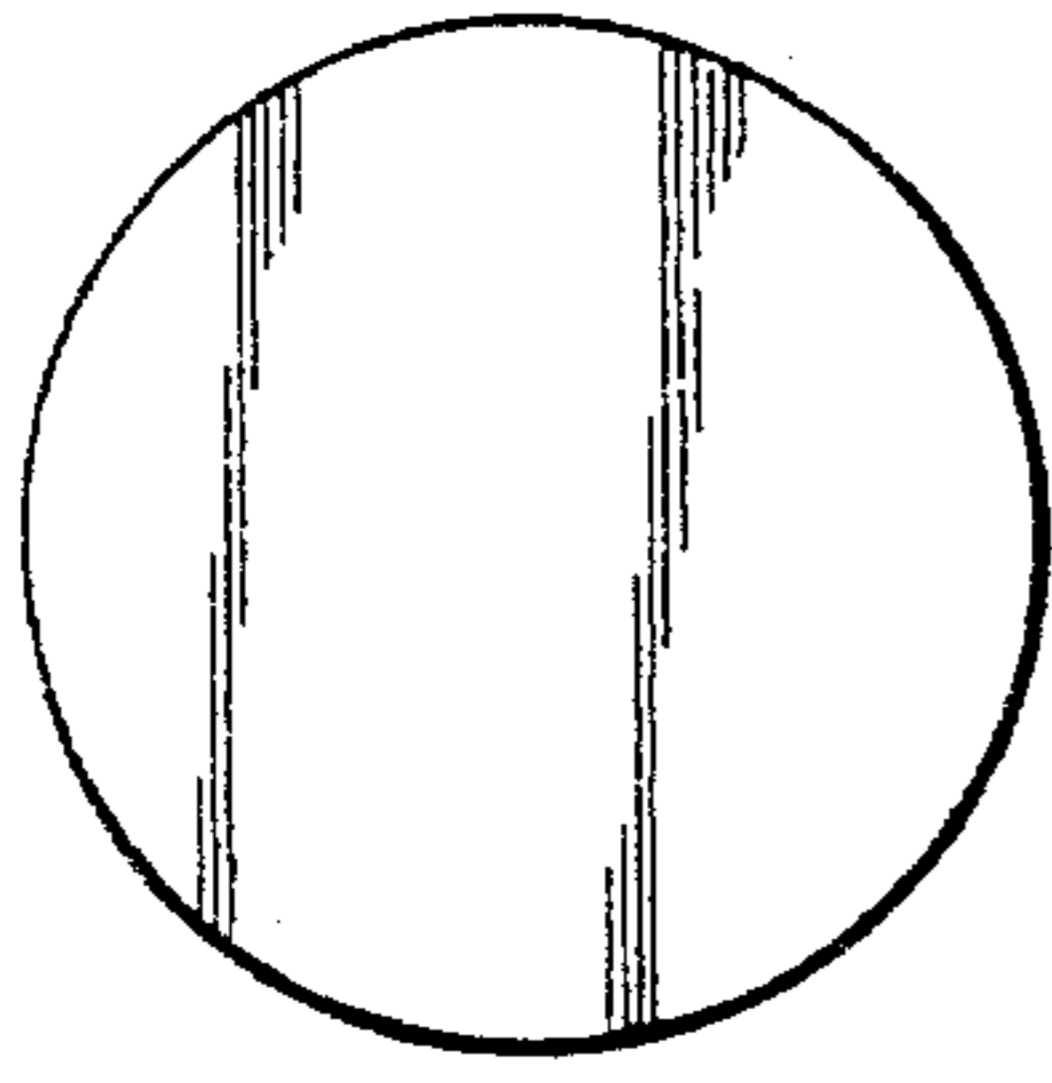


FIG. 20

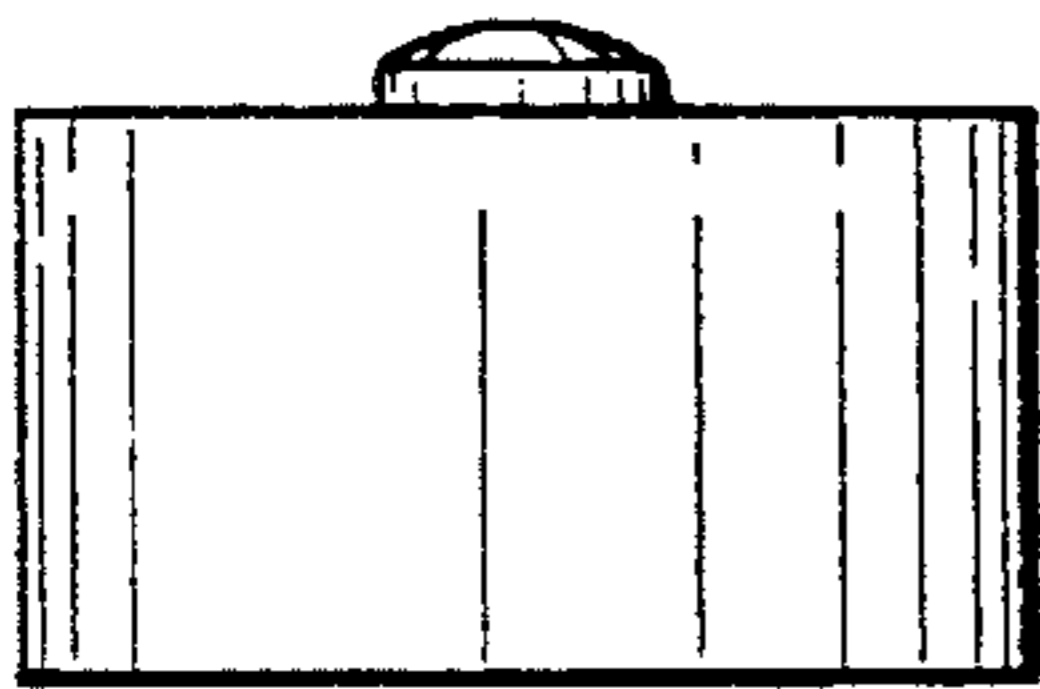


FIG. 17

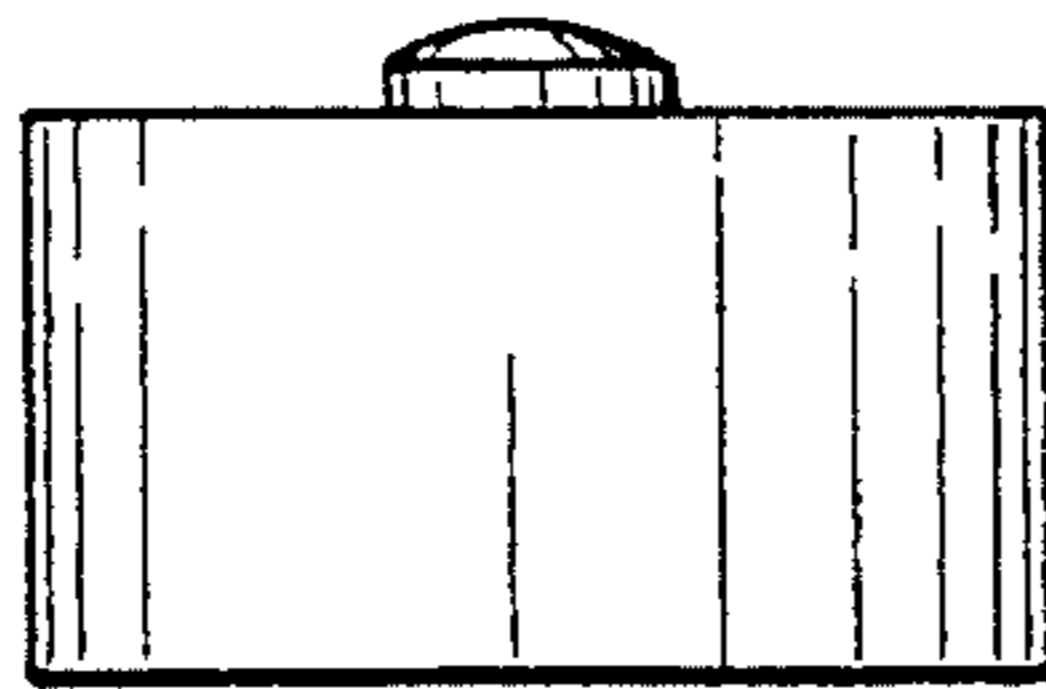


FIG. 19

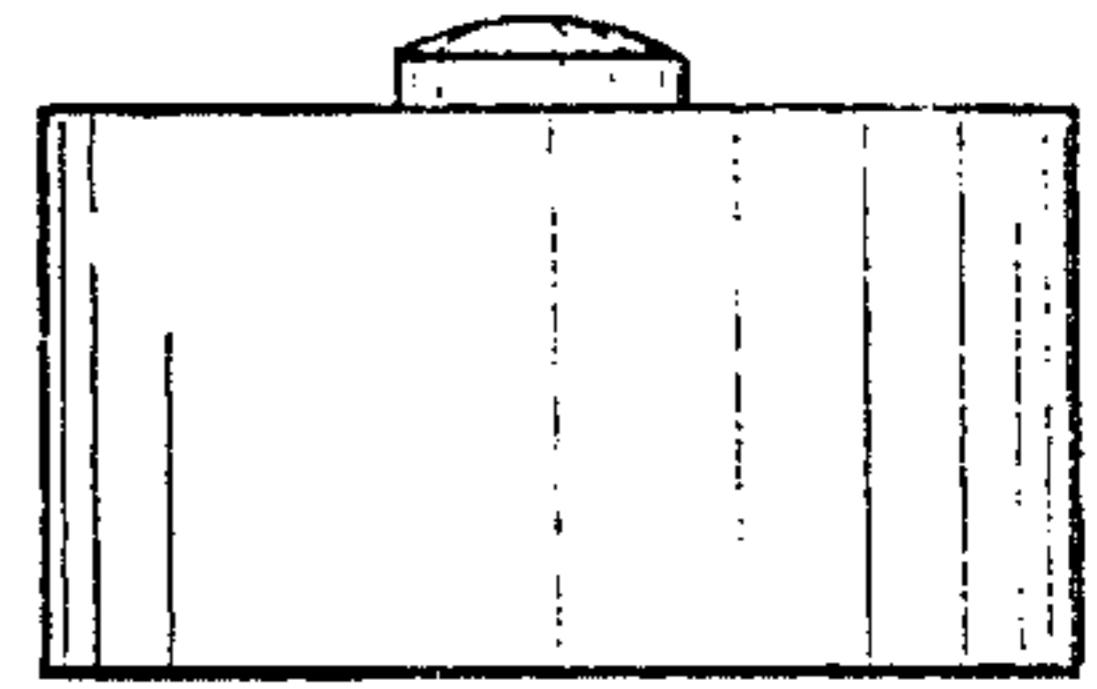


FIG. 16

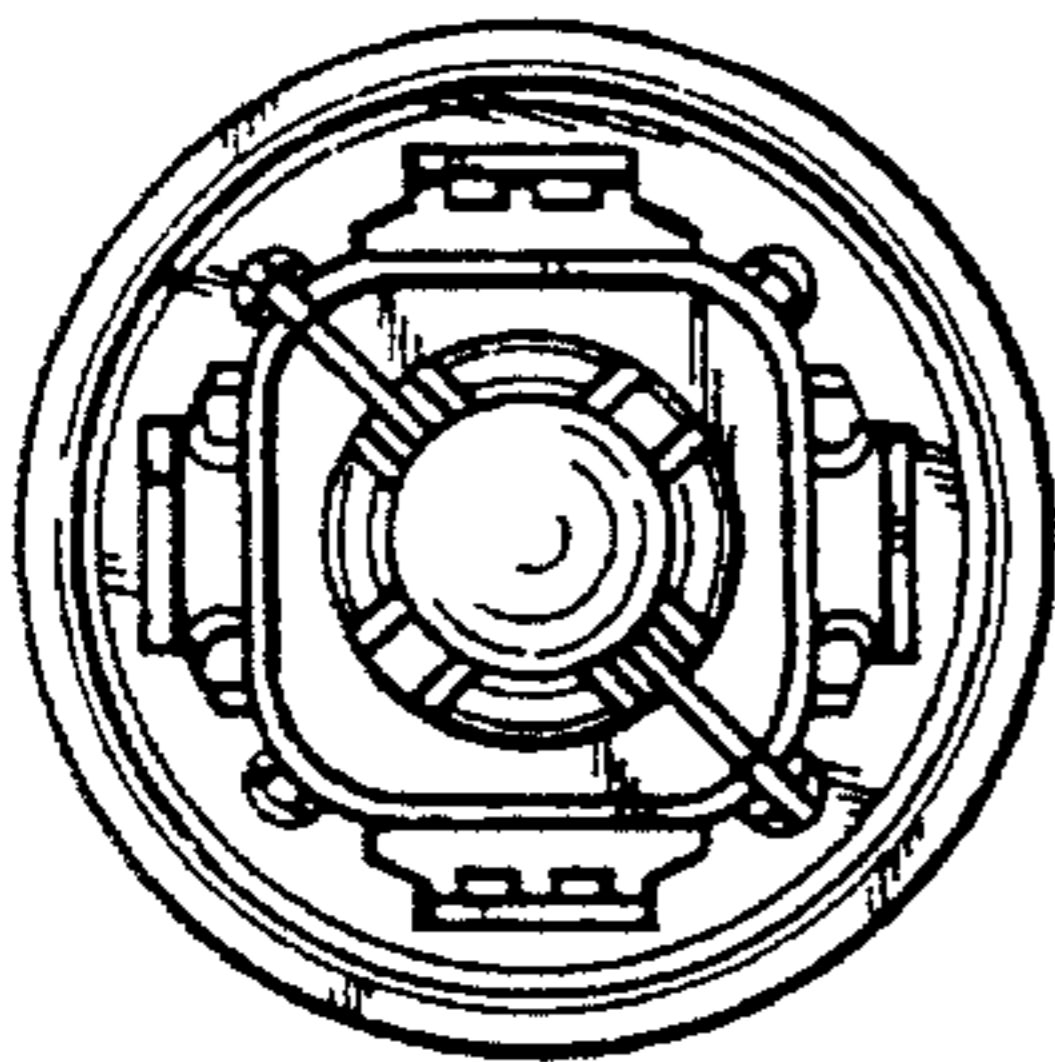


FIG. 21

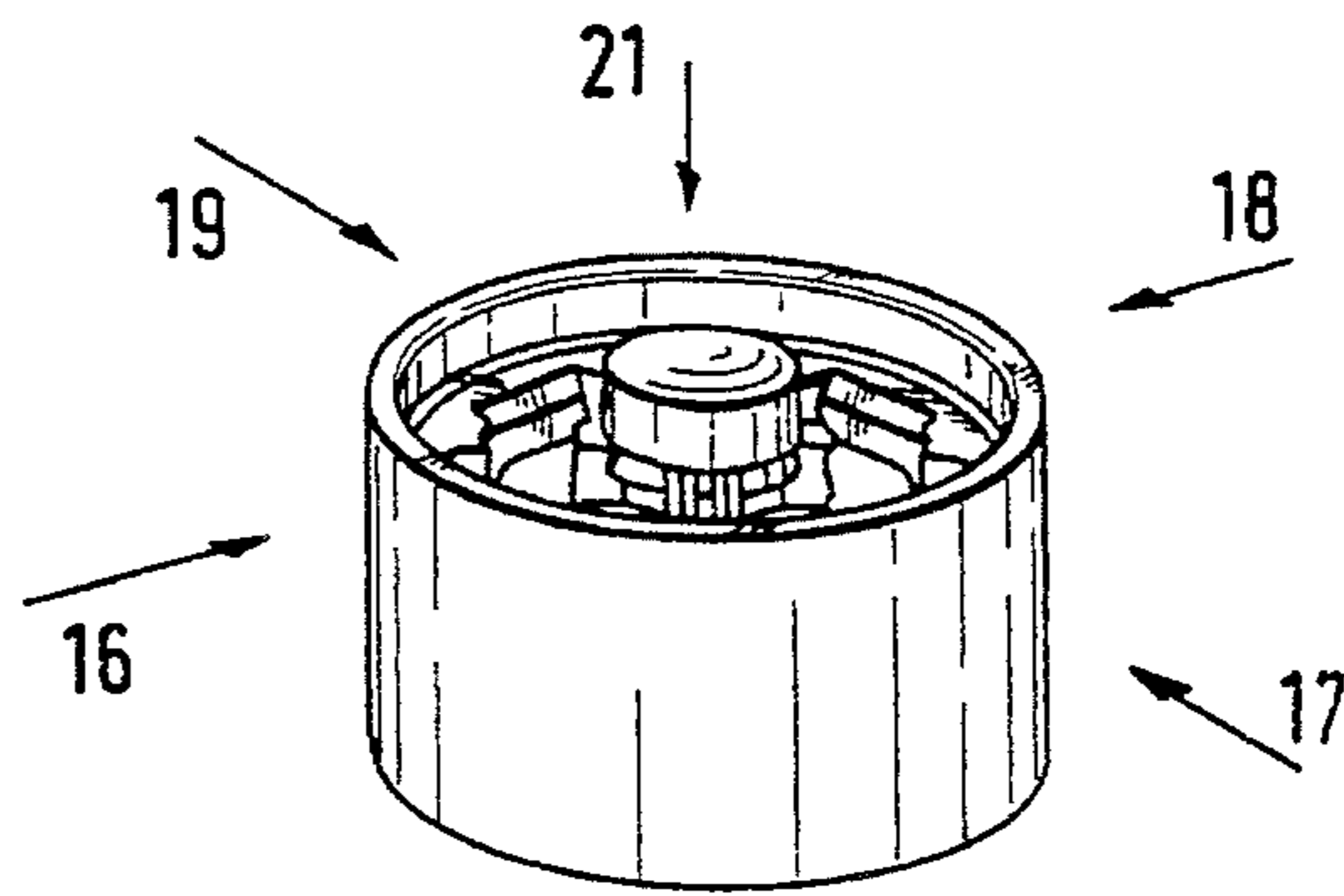


FIG. 15

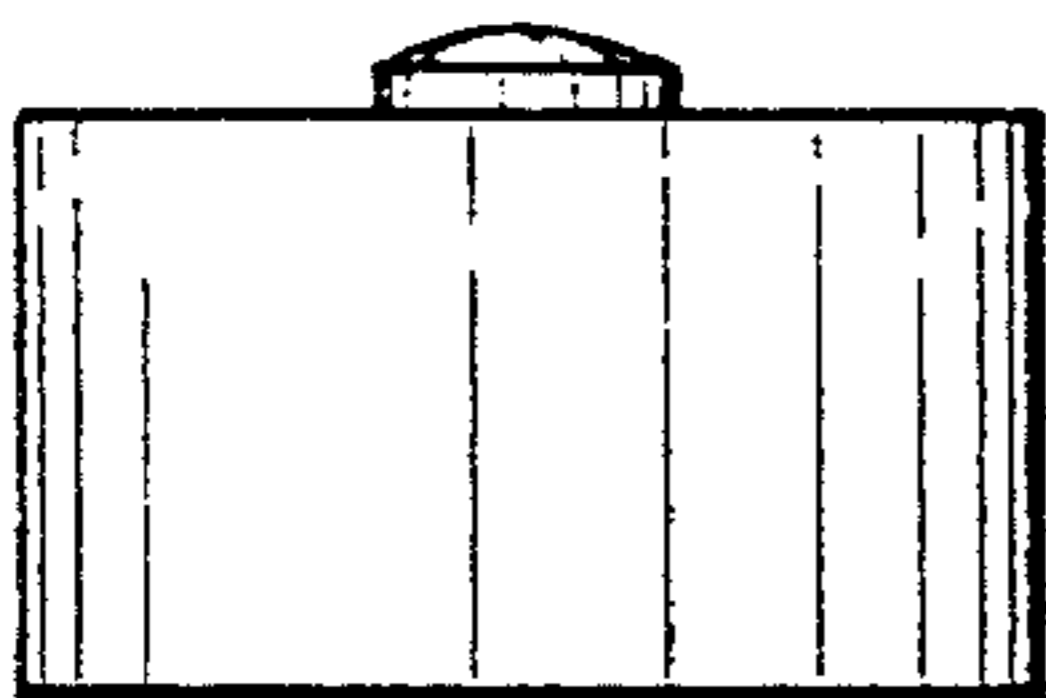


FIG. 18