



US00D362838S

# United States Patent [19]

[11] Patent Number: **Des. 362,838**

Price

[45] Date of Patent: **\*\*Oct. 3, 1995**

## [54] CENTER CONSOLE FOR A VEHICLE

## OTHER PUBLICATIONS

[76] Inventor: **John W. Price**, 1152 Meadowcroft La., Mt. Pleasant, S.C. 29464

J. C. Whitney & Co. Catalog, No. 540J, ©1992, p. 91, the Custom-Fit Floor Consoles for 84-92 American Mini Vans and 80-92 Chevy, GMC, Ford Pickups.

[\*\*] Term: **14 Years**

*Primary Examiner*—A. Hugo Word  
*Assistant Examiner*—M. Brown

[21] Appl. No.: **10,145**

[22] Filed: **Jul. 1, 1993**

[52] U.S. Cl. .... **D12/424**

[58] Field of Search ..... D12/424, 425;  
224/42.11, 42.42, 273, 275, 327, 329; 248/311.2;  
108/19, 35, 44, 45

## [57] CLAIM

The ornamental design for a center console for a vehicle, as shown and described.

## DESCRIPTION

FIG. 1 is a front elevational view of the center console for a vehicle showing my new design;  
FIG. 2 is a rear elevational view thereof;  
FIG. 3 is a left side elevational view thereof;  
FIG. 4 is a right side elevational view thereof;  
FIG. 5 is a top plan view thereof;  
FIG. 6 is a bottom plan view thereof; and,  
FIG. 7 is an isometric view thereof.

## [56] References Cited

### U.S. PATENT DOCUMENTS

D. 250,224	11/1978	Bradley .....	D12/425
D. 309,978	8/1990	Fluharty .....	D12/424
D. 312,604	12/1990	Barnes et al. ....	D12/424
D. 339,681	9/1993	Okoli .....	D12/425
D. 341,249	11/1993	Scheurer .....	D12/420
D. 351,585	10/1994	Scheurer .....	D12/424
5,018,633	5/1991	Toth et al. ....	248/311.2
5,170,720	12/1992	Scheurer .....	108/44

**1 Claim, 4 Drawing Sheets**

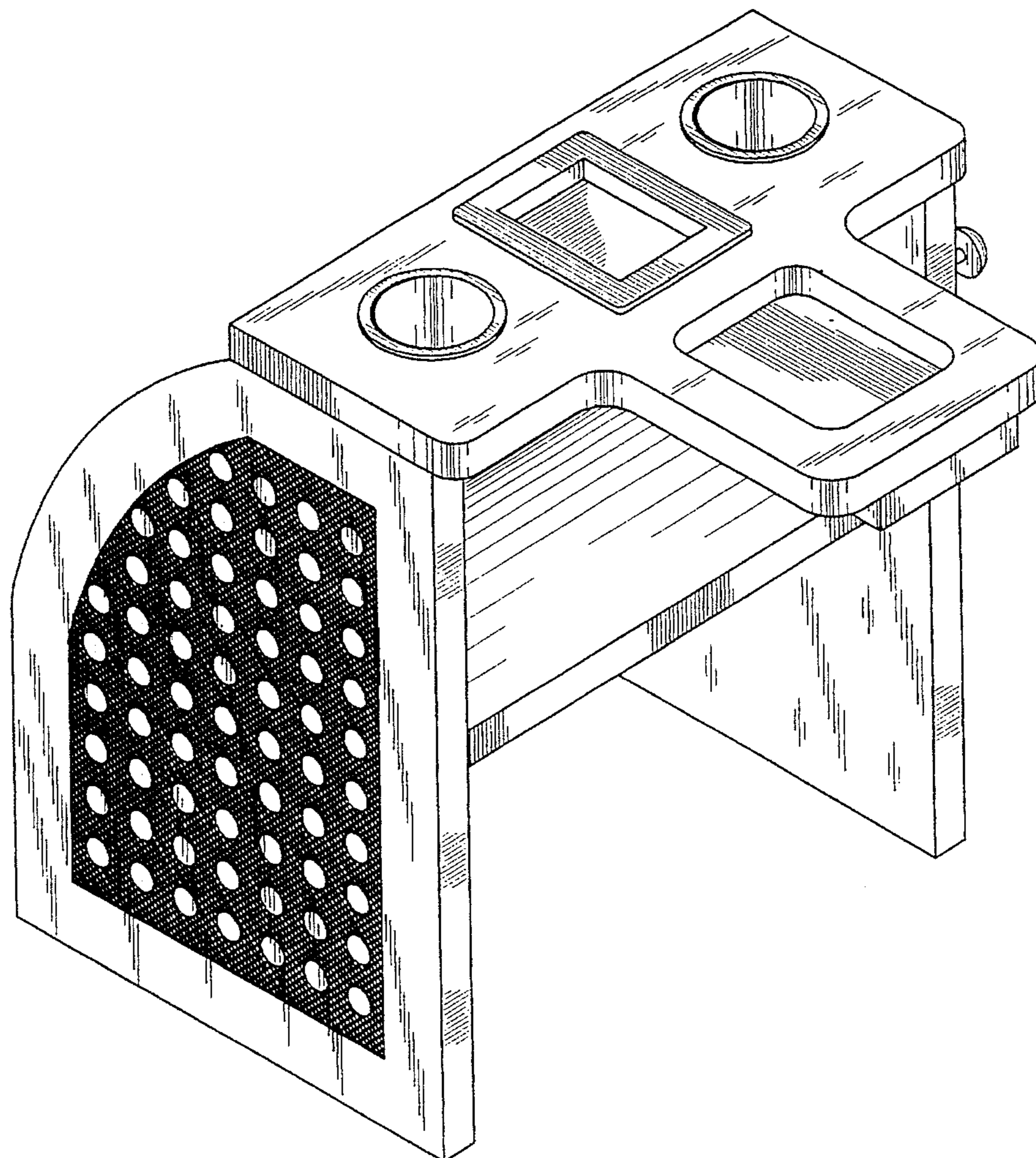


FIG. 1

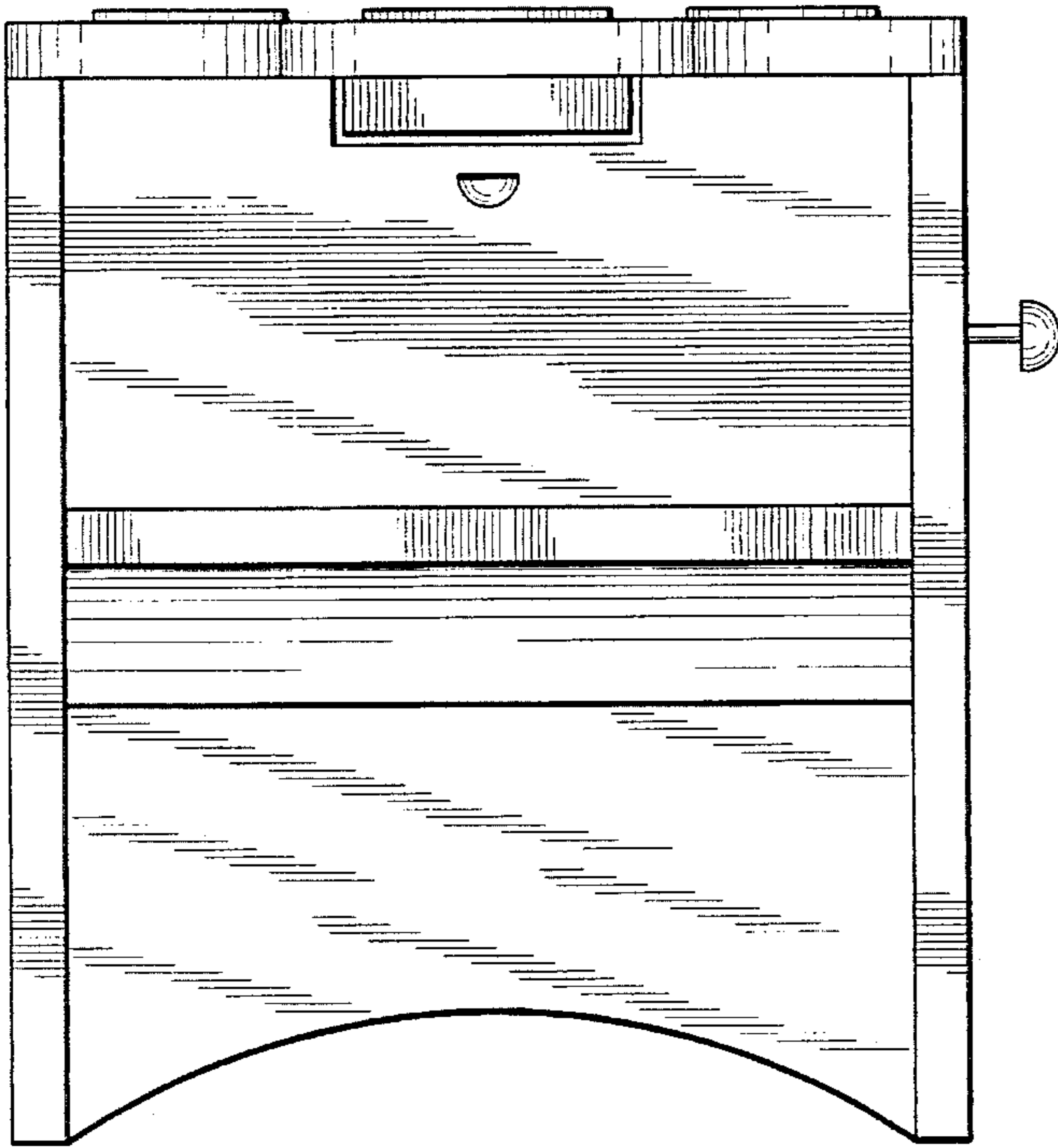


FIG. 2

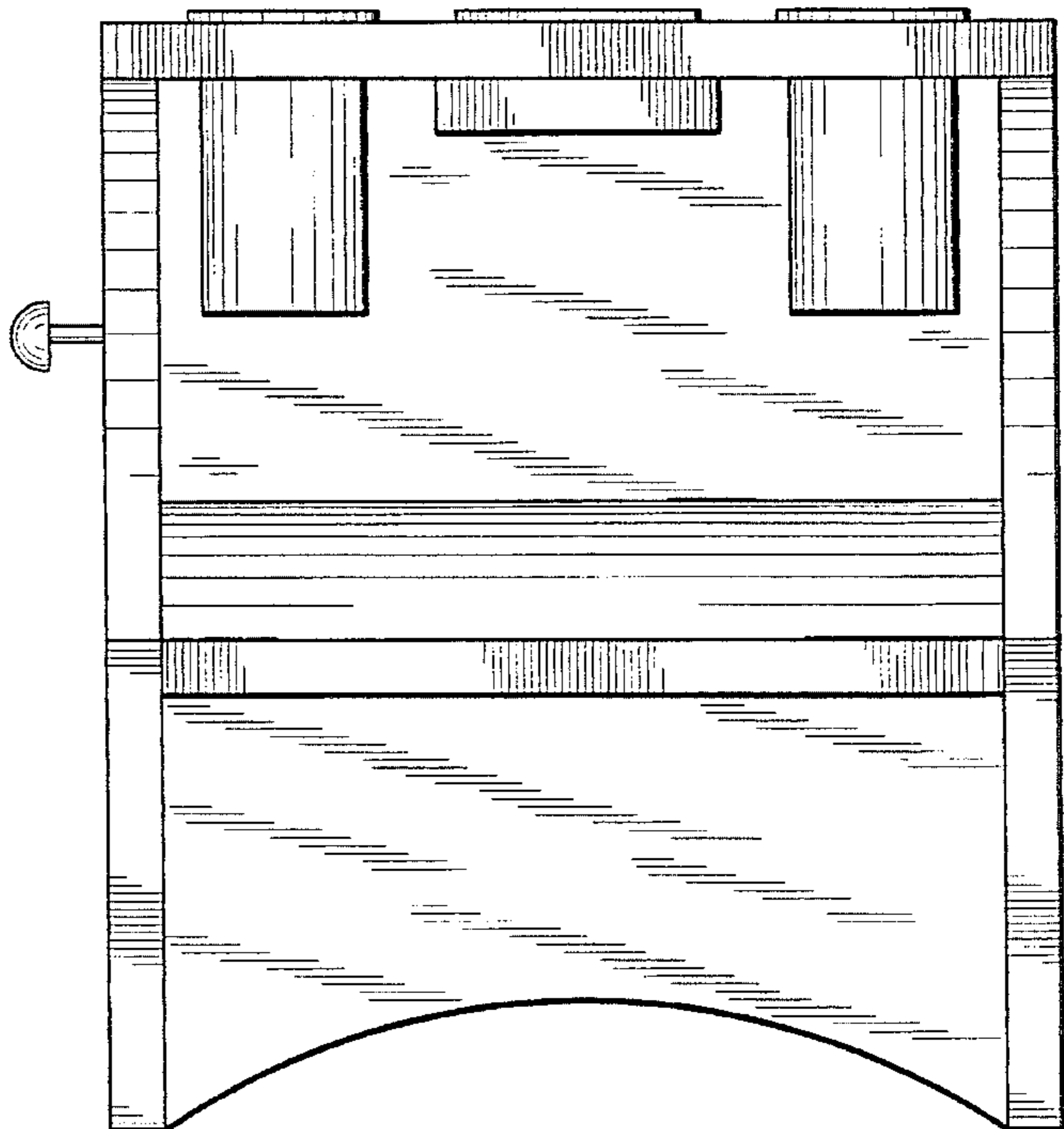


FIG. 3

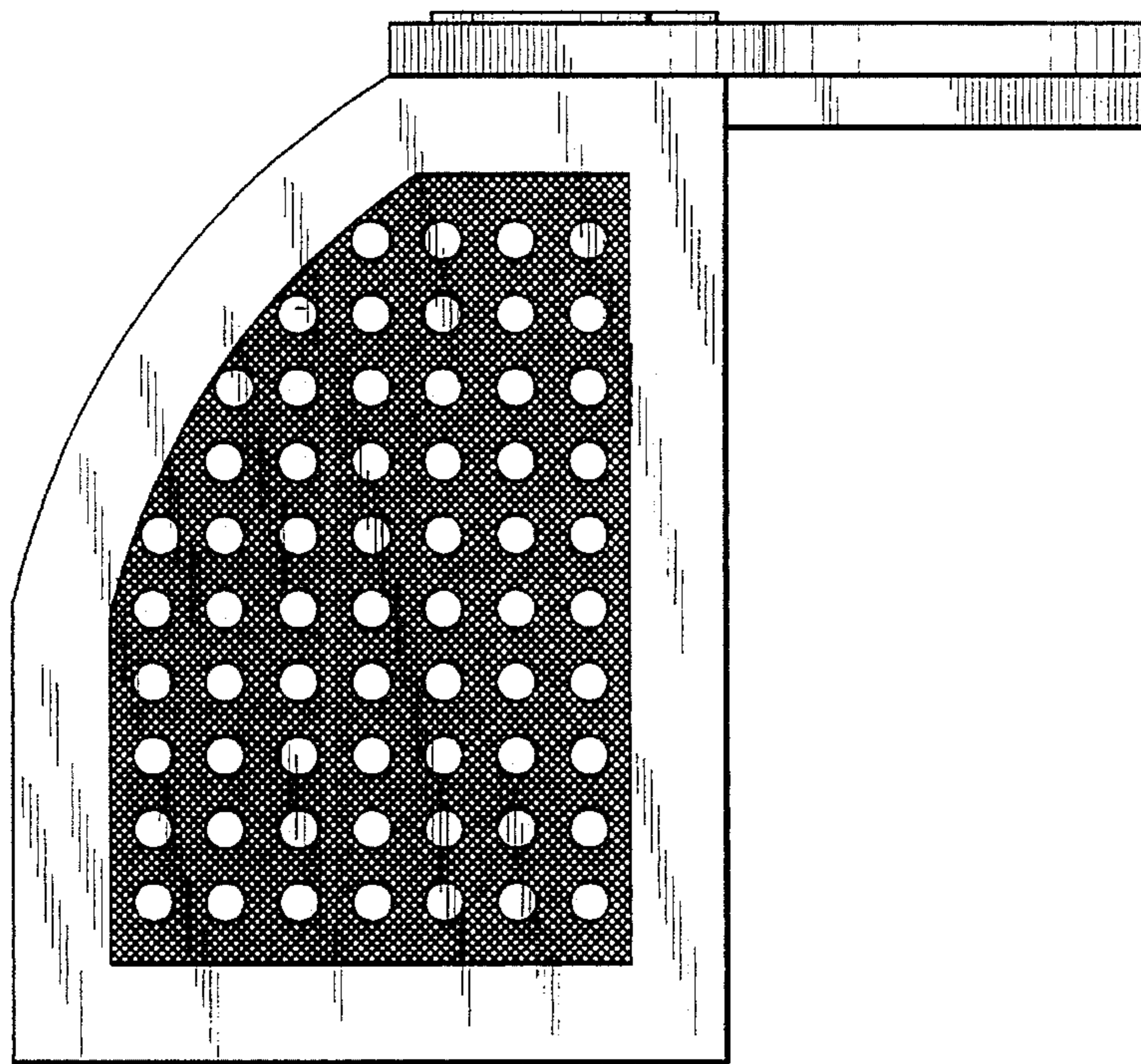


FIG. 4

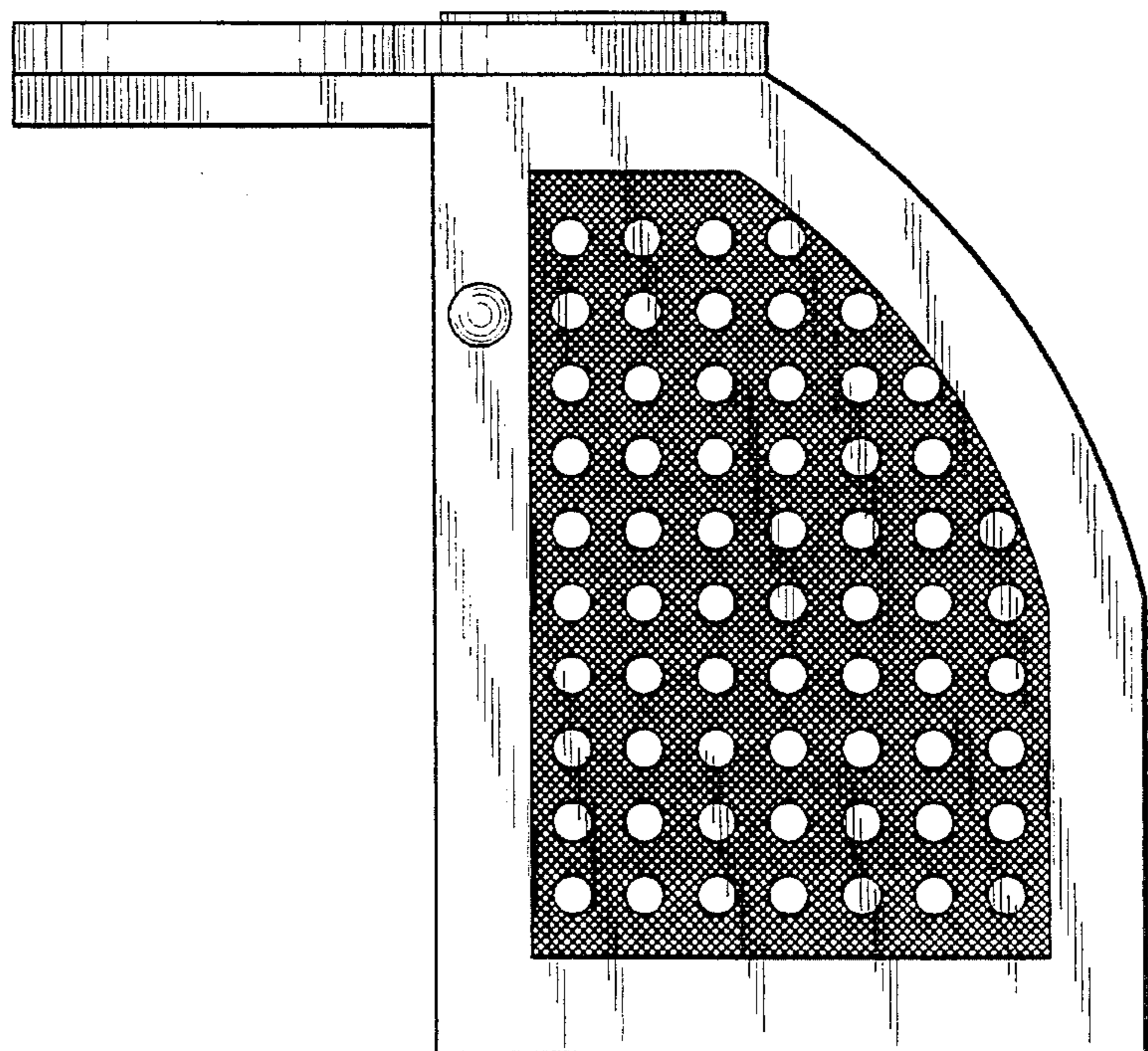


FIG. 5

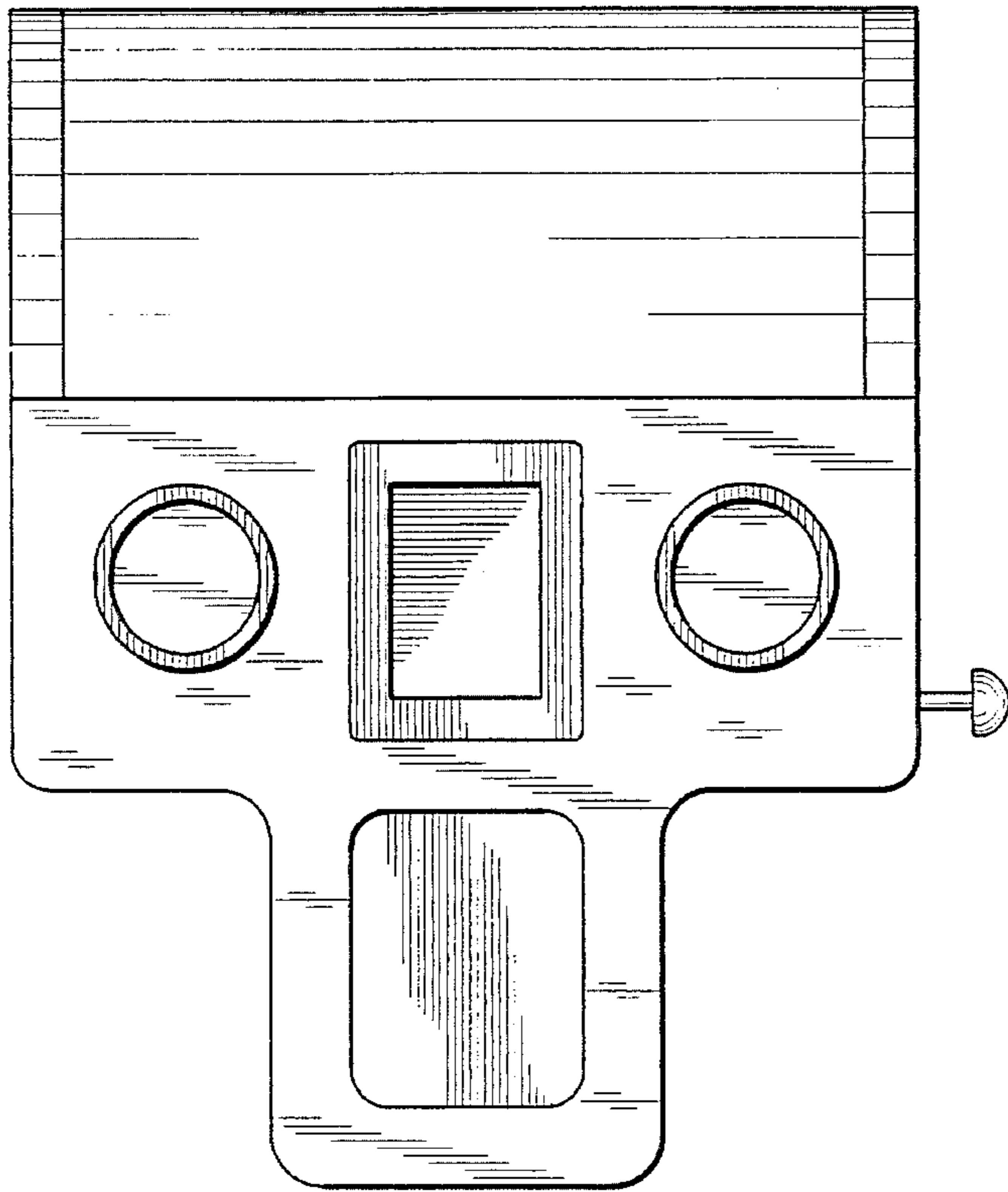


FIG. 6

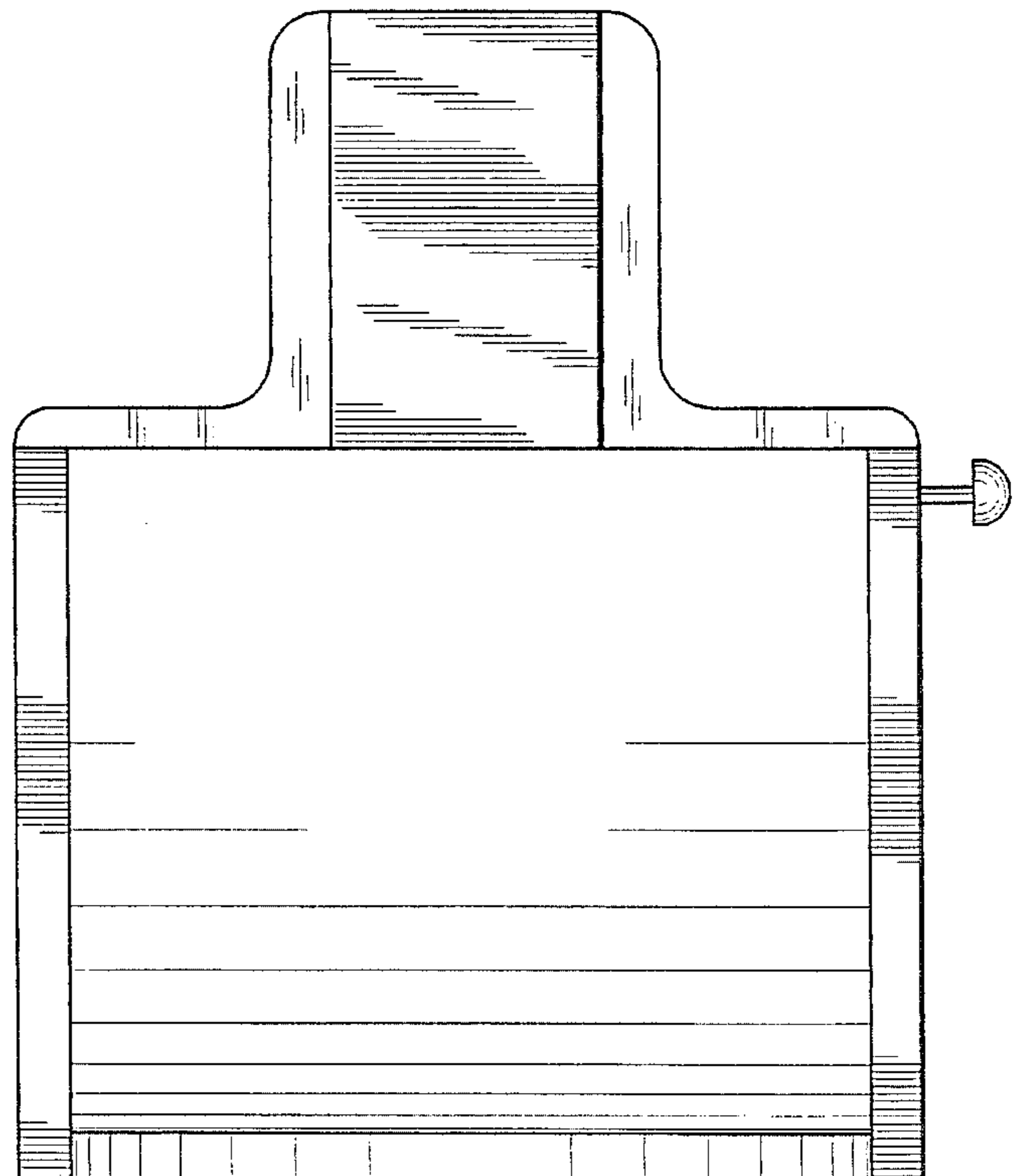


FIG. 7

