



US00D362837S

United States Patent [19]

[11] Patent Number: **Des. 362,837**

Mankey et al.

[45] Date of Patent: ****Oct. 3, 1995**

[54] **CAR CADDY**

[75] Inventors: **Neal N. Mankey; Clinton L. McDade,**
both of Charlotte, N.C.

[73] Assignee: **Allied Plastics, Inc.,** Gastonia, N.C.

[**] Term: **14 Years**

[21] Appl. No.: **14,167**

[22] Filed: **Oct. 14, 1993**

[52] U.S. Cl. **D12/419**

[58] Field of Search **D12/419; 224/42.11,**
224/42.42, 273, 275, 327, 329, 42.45 R

[56] **References Cited**

U.S. PATENT DOCUMENTS

D. 257,914	1/1981	Wooters	D12/419
D. 259,835	7/1981	Page, Jr.	D12/419
D. 264,525	5/1982	Page, Jr.	D12/419
D. 307,355	4/1990	Page, Jr.	D12/419
D. 308,131	5/1990	Marcantonio	D12/419
D. 327,364	6/1992	Mankey	D12/419
D. 328,973	9/1992	Mankey	D12/419

Primary Examiner—James M. Gandy

Assistant Examiner—M. Brown
Attorney, Agent, or Firm—Bell, Seltzer, Park & Gibson

[57] **CLAIM**

The ornamental design for a car caddy, as shown.

DESCRIPTION

FIG. 1 is a front perspective view of a car caddy embodying our new design;

FIG. 2 is a front elevational view thereof;

FIG. 3 is a rear elevational view thereof;

FIG. 4 is a top plan view thereof;

FIG. 5 is a side elevational view thereof;

FIG. 6 is the side elevational view thereof opposite the view shown in FIG. 5;

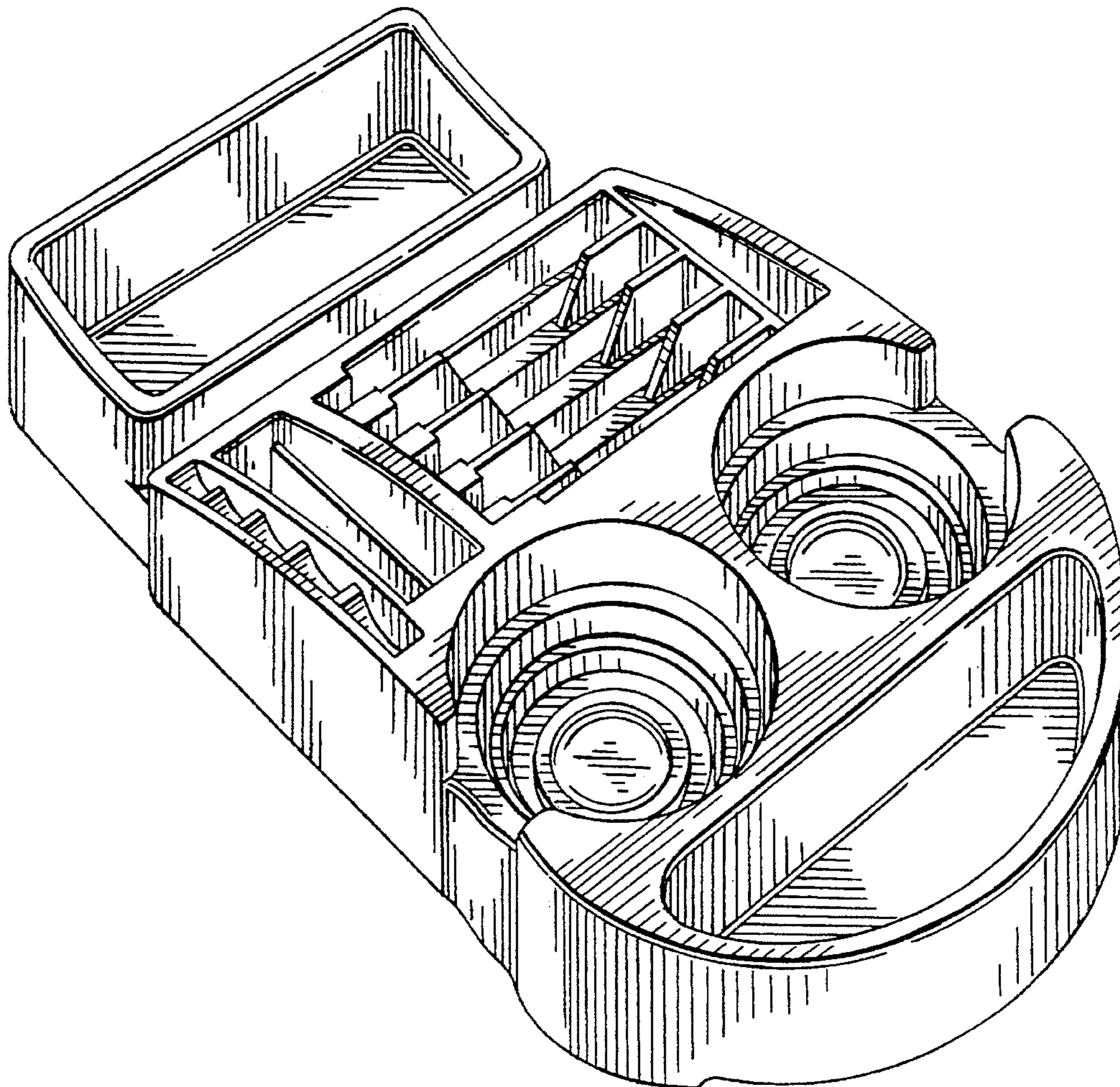
FIG. 7 is a cross-sectional view taken substantially along line 7—7 in FIG. 4;

FIG. 8 is a cross-sectional view taken substantially along line 8—8 in FIG. 4;

FIG. 9 is a cross-sectional view taken substantially along line 9—9 in FIG. 4; and,

FIG. 10 is a fragmentary cross-sectional view taken substantially along line 10—10 in FIG. 4.

1 Claim, 3 Drawing Sheets



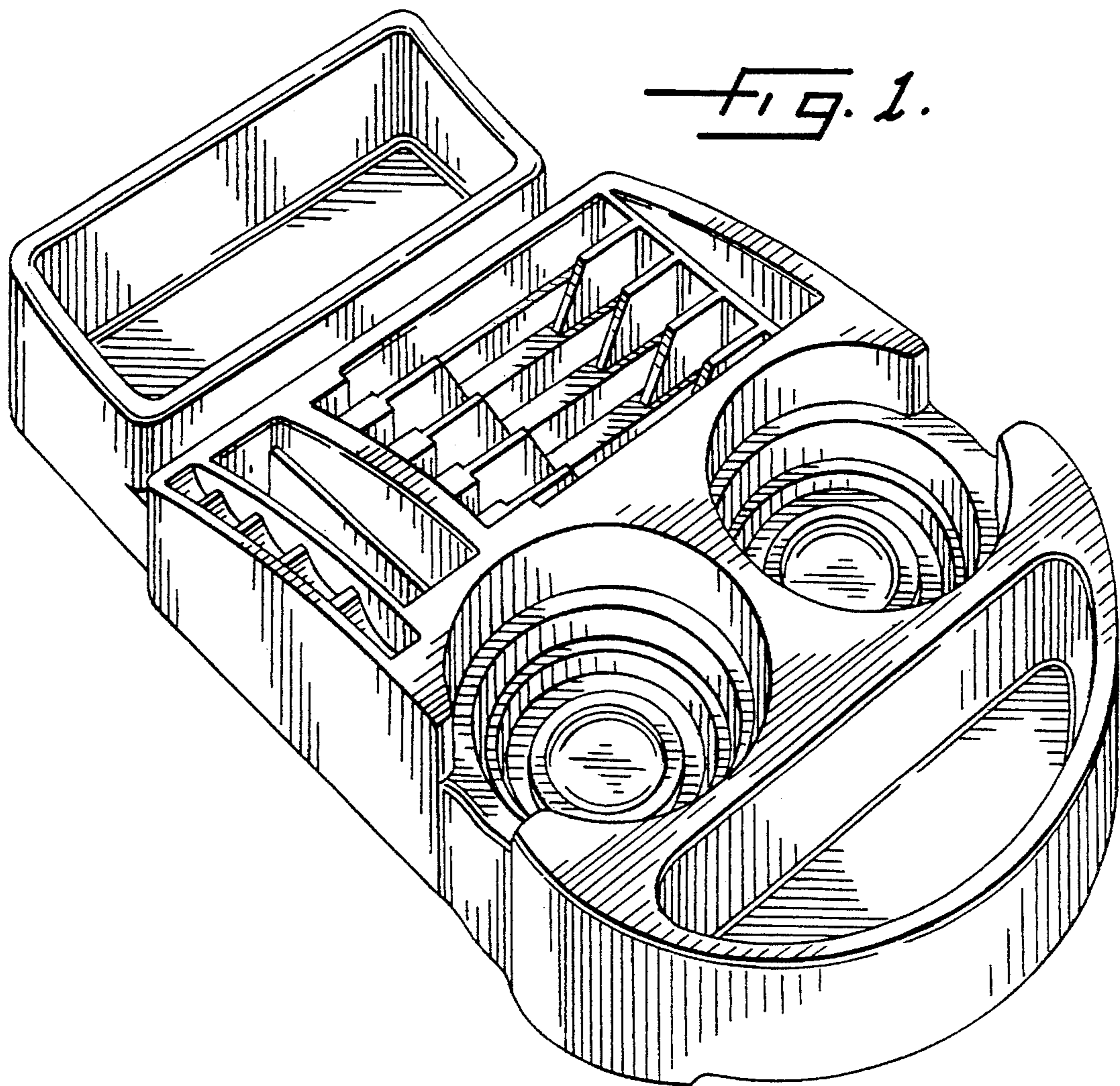


FIG. 1.

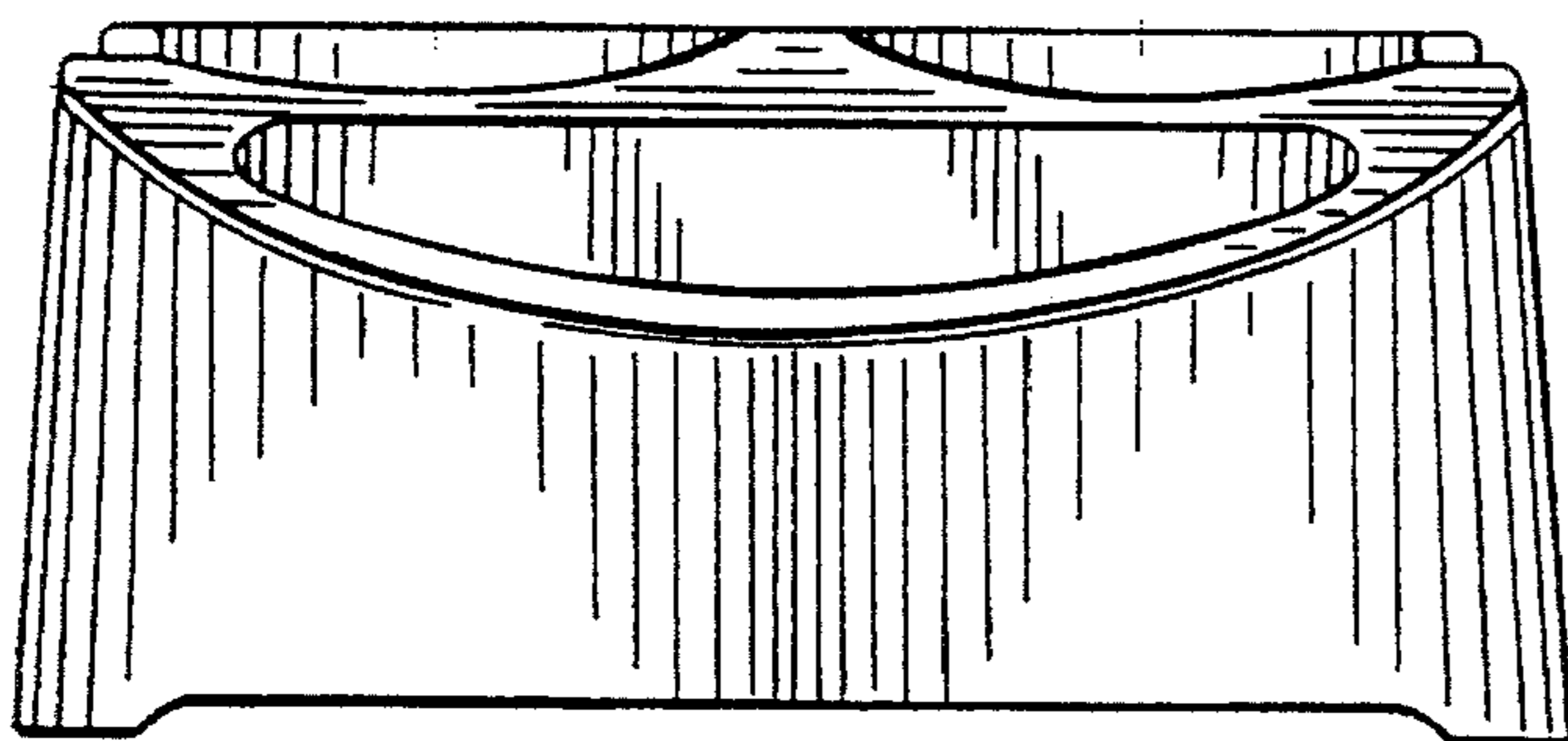
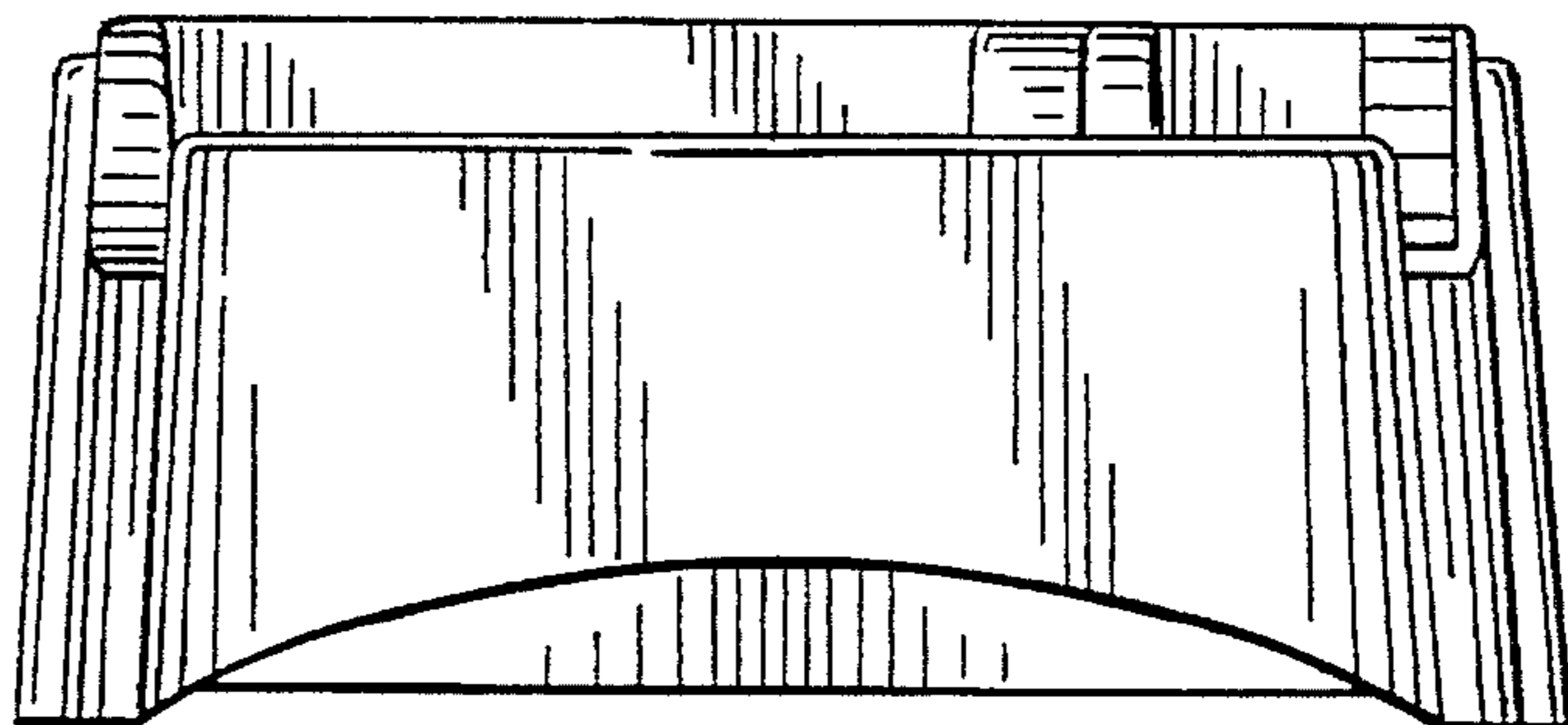


FIG. 2.

FIG. 3.



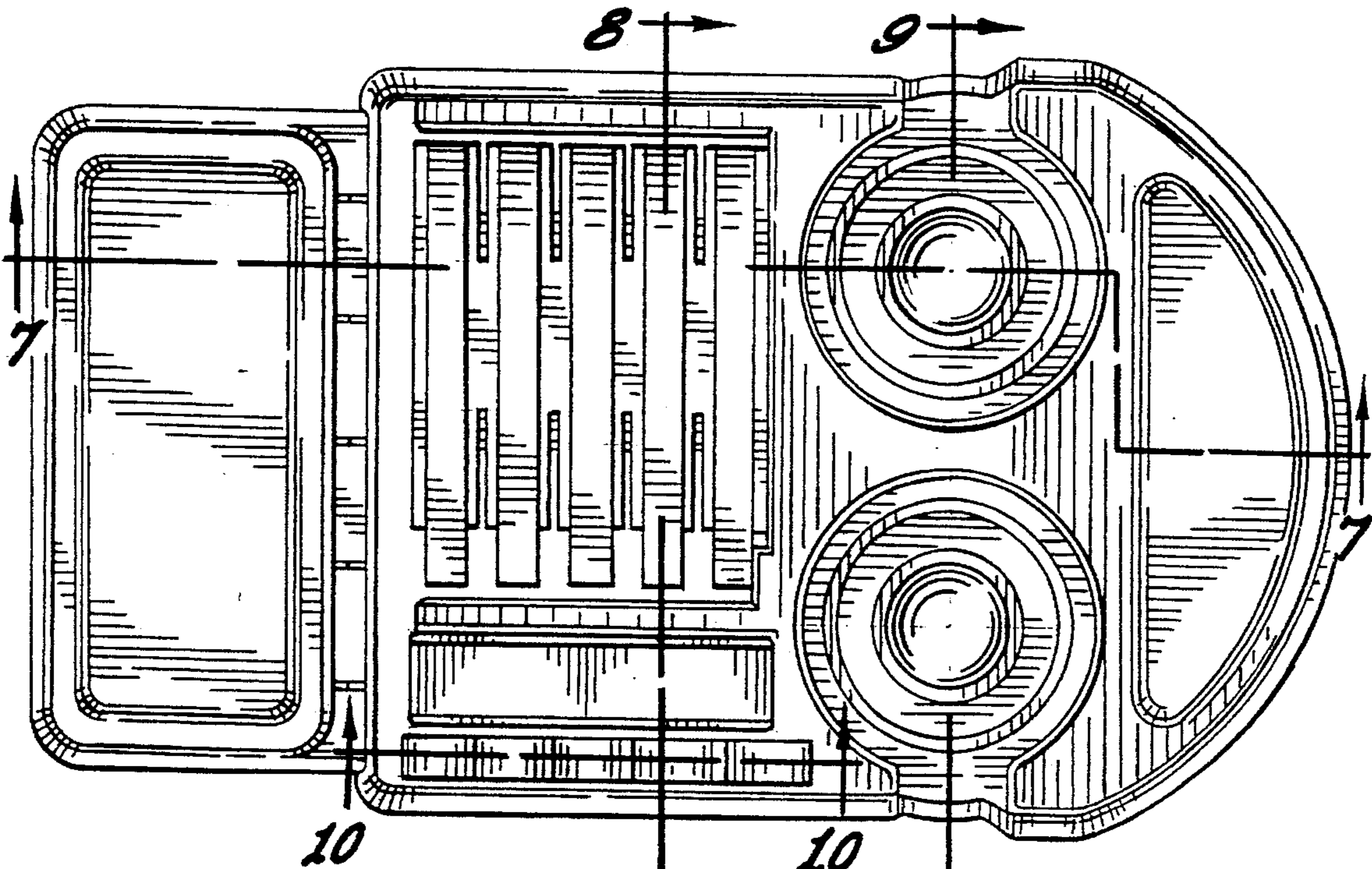


FIG. 4.

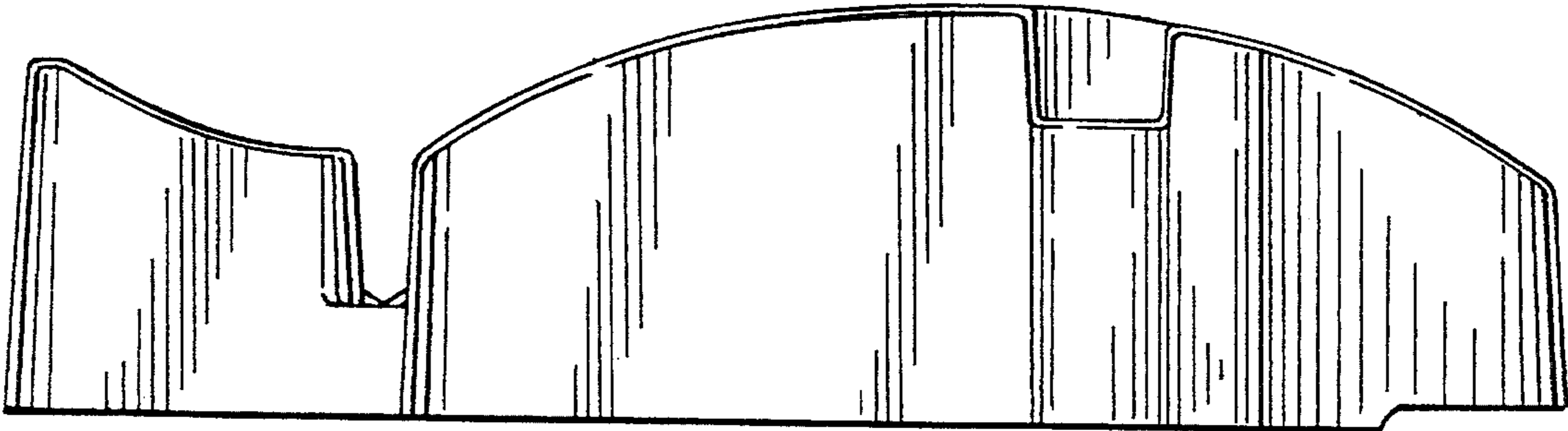


FIG. 5.

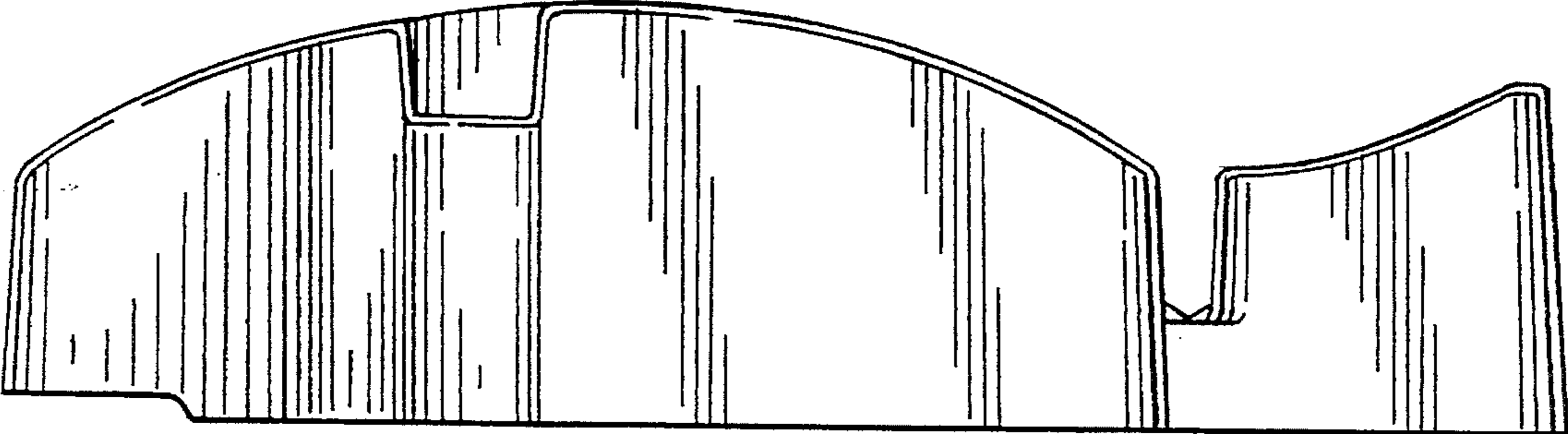
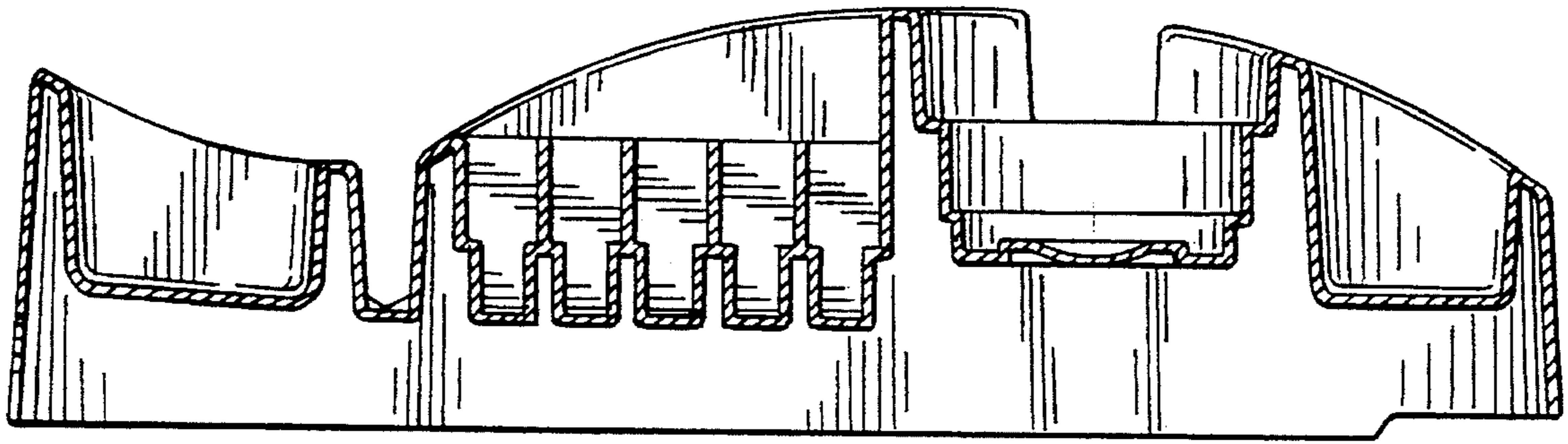
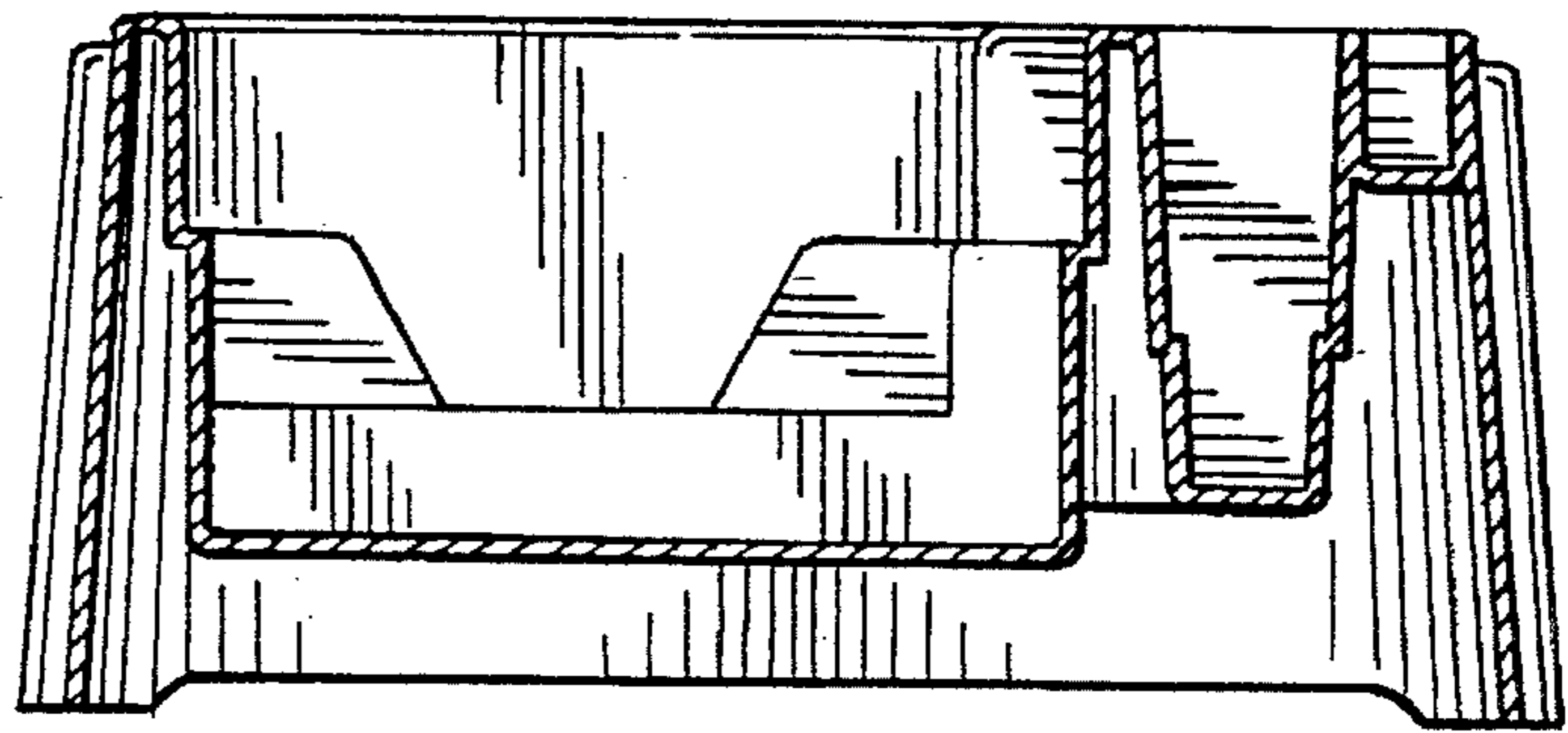


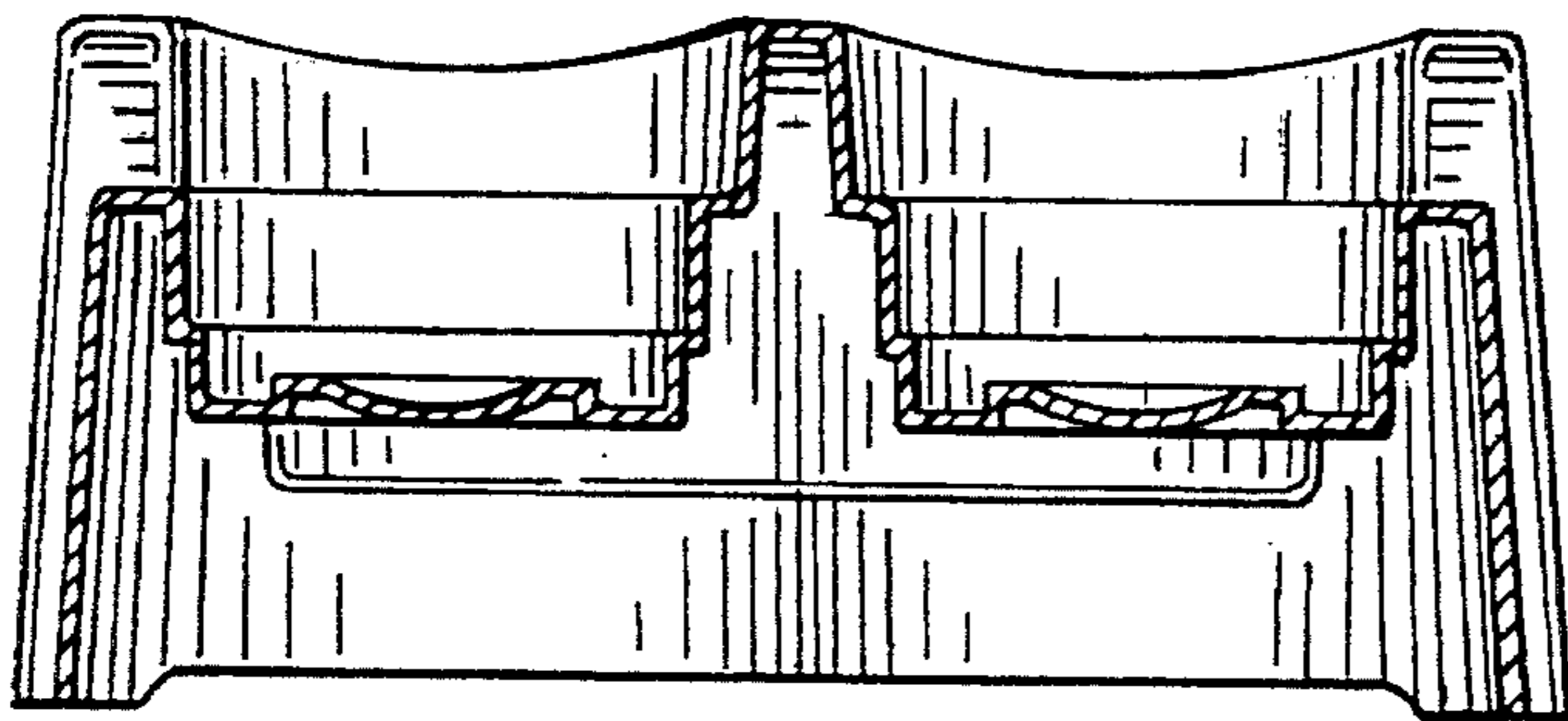
FIG. 6.



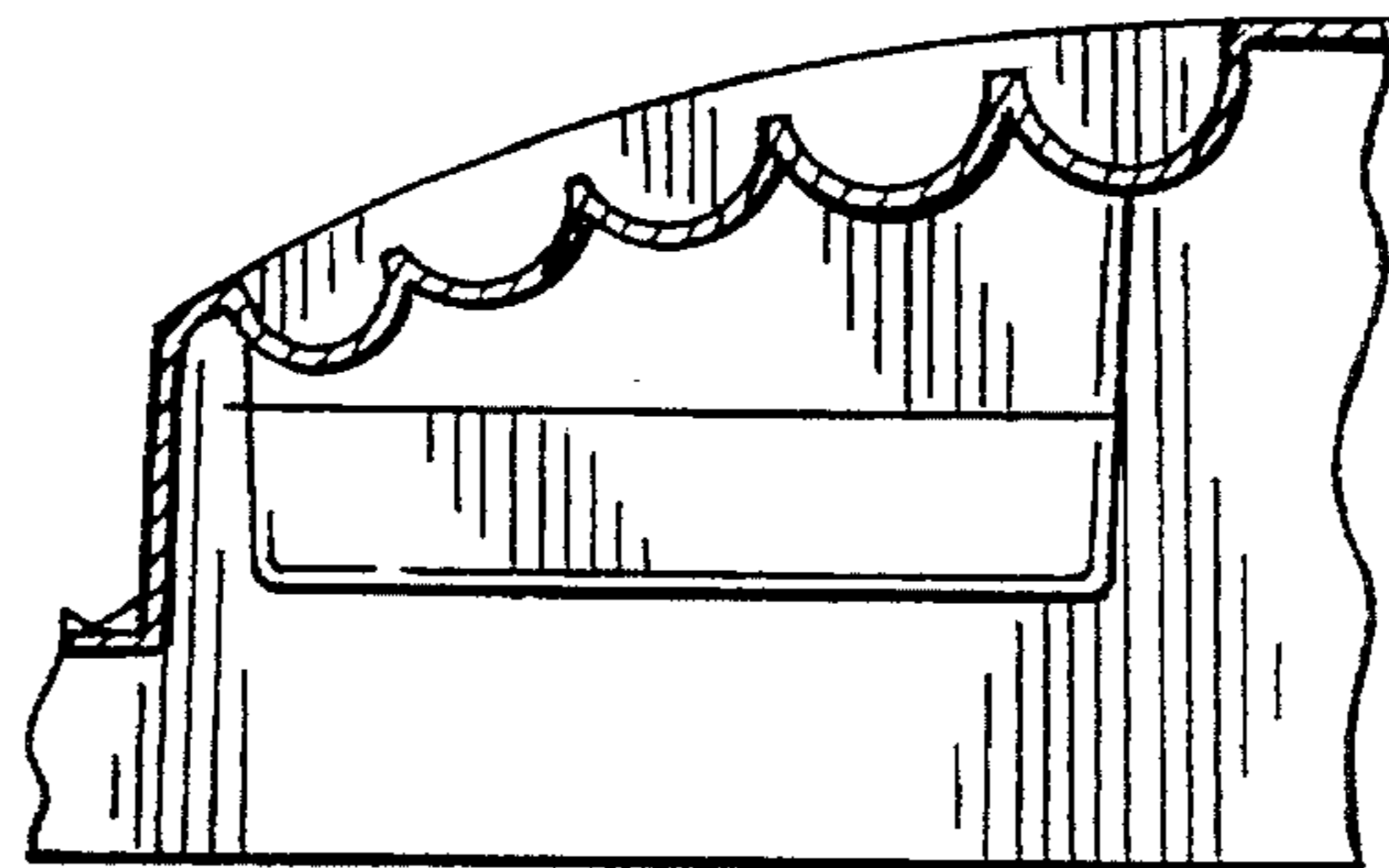
—FIG. 7.



—FIG. 8.



—FIG. 9.



—FIG. 10.