



US00D362836S

United States Patent [19]

[11] Patent Number: **Des. 362,836**

Bush

[45] Date of Patent: ****Oct. 3, 1995**

[54] BICYCLE CARRIER

5,282,555 2/1994 Muir et al. 224/42.03 B

[76] Inventor: **James E. Bush**, 6127 W. Marshall Ave., Chicago Ridge, Ill. 60415

Primary Examiner—A. Hugo Word
Assistant Examiner—M. Brown
Attorney, Agent, or Firm—Terry M. Gernstein

[**] Term: **14 Years**

[57] **CLAIM**

[21] Appl. No.: **15,626**

The ornamental design for a bicycle carrier, as shown and described.

[22] Filed: **Nov. 23, 1993**

[52] U.S. Cl. **D12/408**

DESCRIPTION

[58] Field of Search D12/408; 224/42.03 B, 224/42.12, 42.13

FIG. 1 is a front, top and side perspective view of the bicycle carrier showing my new design;
FIG. 2 is a front elevational view thereof, the rear being a mirror image of the front shown in FIG. 2;
FIG. 3 is an end elevational view thereof;
FIG. 4 is an end elevational view thereof;
FIG. 5 is a top plan view thereof; and,
FIG. 6 is a bottom plan view thereof.

[56] **References Cited**

U.S. PATENT DOCUMENTS

D. 336,876	6/1993	Wärnelöv	D12/408
D. 346,995	5/1994	Thulen	D12/408
2,432,732	12/1947	Del Cano	D12/408
3,710,999	1/1973	Allen	D12/408
5,038,980	8/1991	Baldeck	224/42.03 B

1 Claim, 2 Drawing Sheets

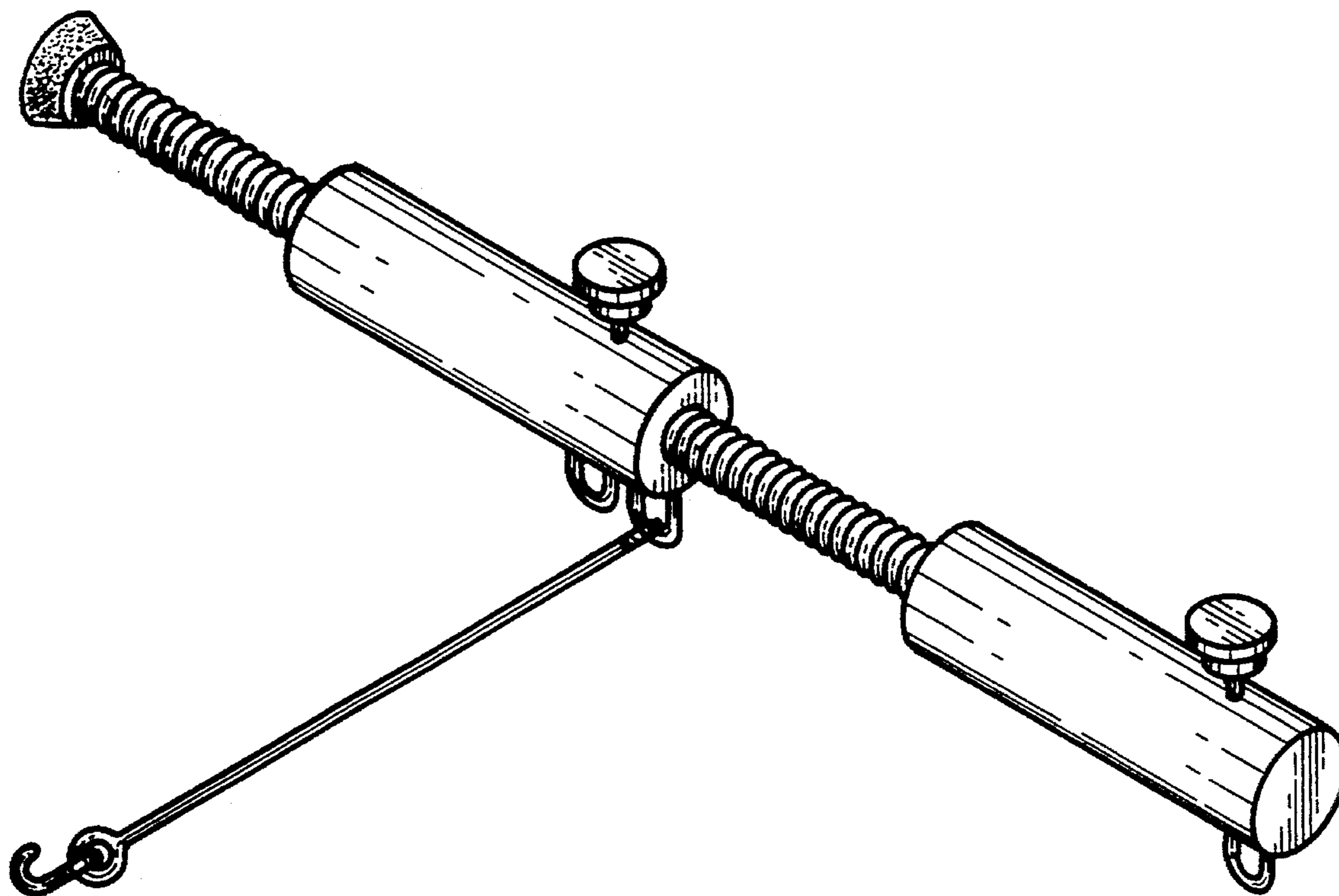
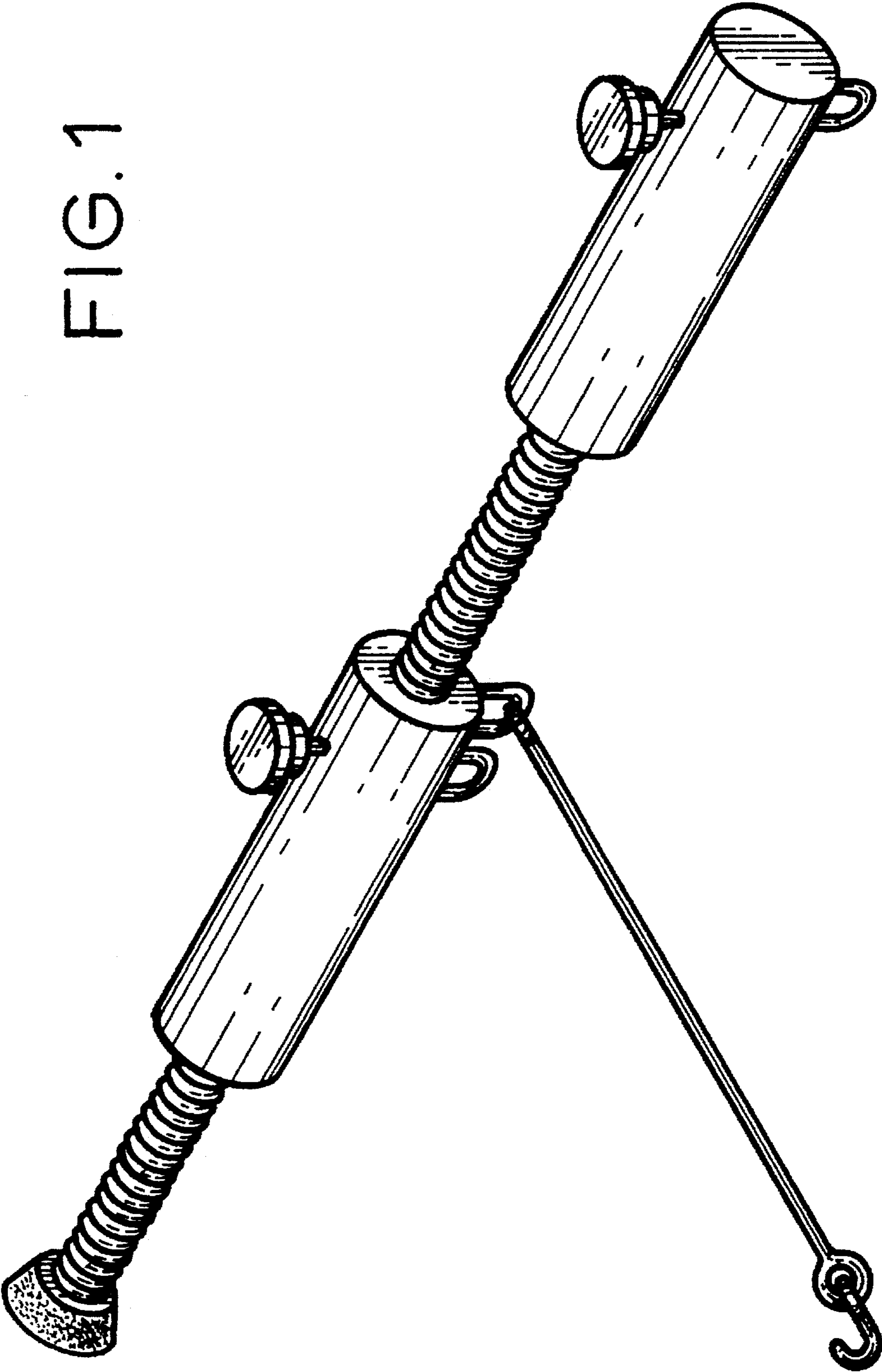


FIG. 1



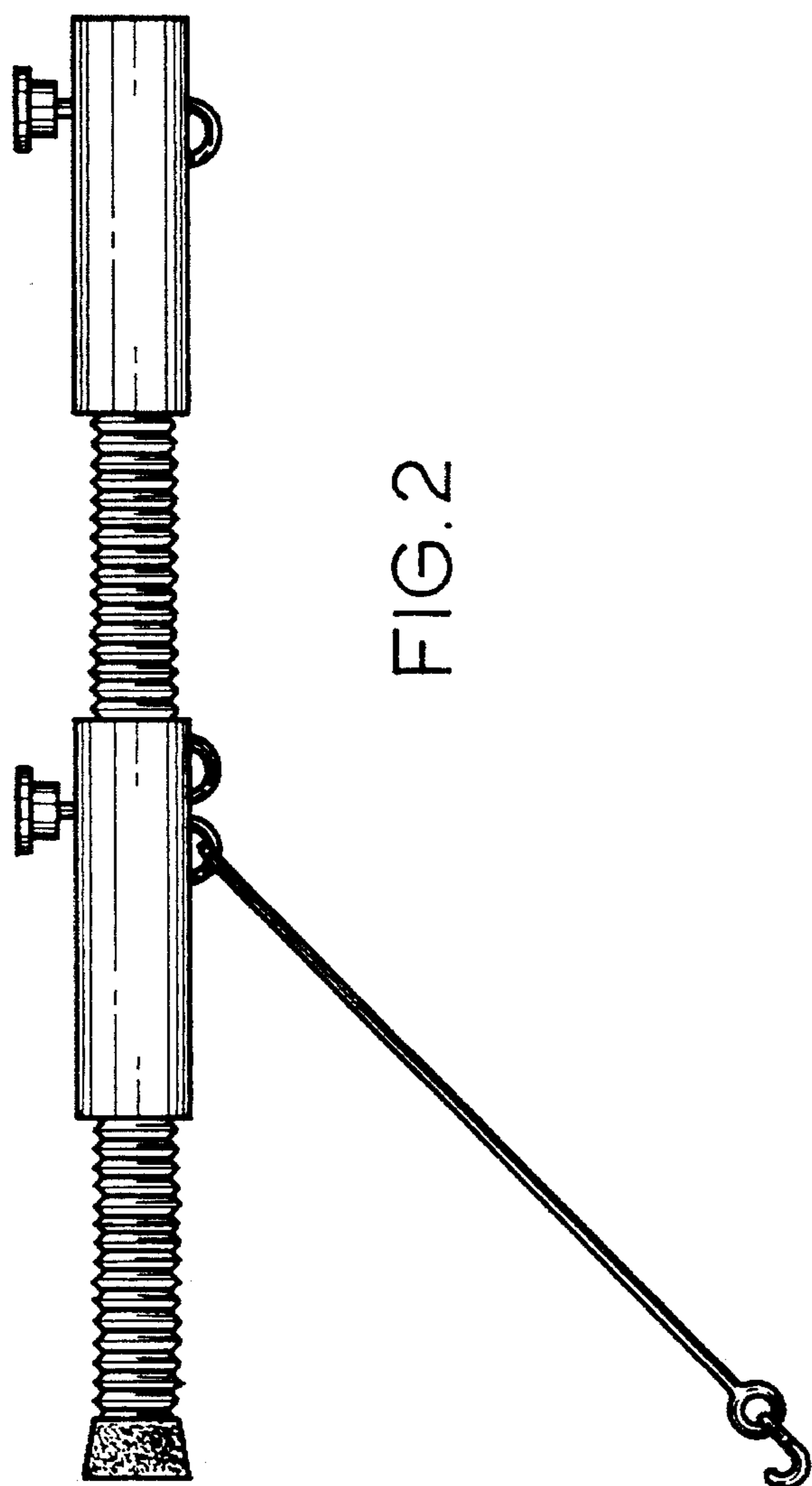


FIG. 2



FIG. 3



FIG. 4



FIG. 5



FIG. 6