



US00D362834S

# United States Patent [19]

[11] **Patent Number:** **Des. 362,834**

**Stout et al.**

[45] **Date of Patent:** **\*\*Oct. 3, 1995**

[54] **PADDLE PUMP**

[76] Inventors: **David Stout**, 310 Vancouver, Medford, Oreg. 97504; **Jammie Dorsey**, 97 Andesite, Jacksonville, Oreg. 97530; **Charlene Stout**, 310 Vancouver, Medford, Oreg. 97504; **William Burks**, 2585 E. Antelope Rd., Eagle Point, Oreg. 97524

1,512,391	10/1924	Abraham .....	416/72
2,702,910	3/1955	Ake .....	416/71
3,030,641	4/1962	Ake .....	416/71
3,044,410	7/1962	Edmundson .....	417/235
3,095,825	7/1963	Sandberg et al. ....	95/15
5,163,778	11/1992	Botero .....	440/101

*Primary Examiner*—Kay H. Chin  
*Attorney, Agent, or Firm*—Walter A. Hackler

[\*\*] Term: **14 Years**

[21] Appl. No.: **28,915**

[22] Filed: **Sep. 26, 1994**

[52] **U.S. Cl.** ..... **D12/215**

[58] **Field of Search** ..... D12/215; 440/101;  
114/221 R; 416/69, 70, 71, 74

[56] **References Cited**

**U.S. PATENT DOCUMENTS**

D. 224,983	10/1972	Bolen .....	D12/215
D. 244,680	6/1977	Leidigh et al. ....	D12/215

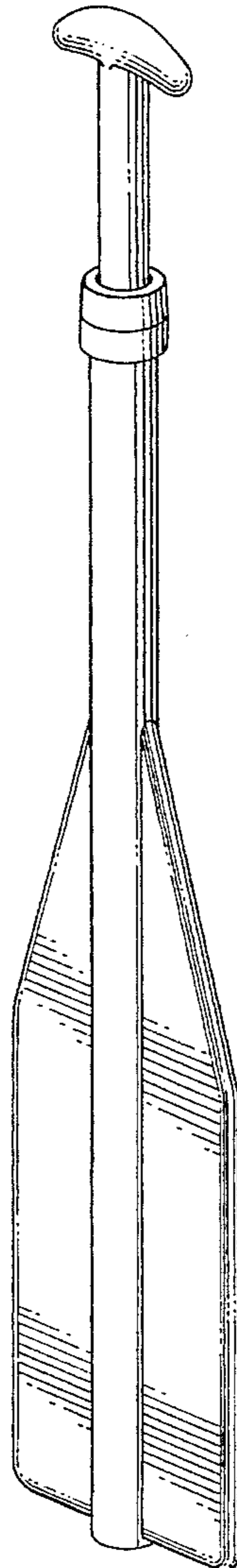
[57] **CLAIM**

The ornamental design for a paddle pump, as shown and described.

**DESCRIPTION**

FIG. 1 is a perspective view of a paddle pump showing my new design;  
FIG. 2 is a front elevational view thereof, the rear view being a mirror image of that shown;  
FIG. 3 is a side elevational view thereof;  
FIG. 4 is a top plan view thereof; and,  
FIG. 5 is a bottom plan view thereof.

**1 Claim, 1 Drawing Sheet**



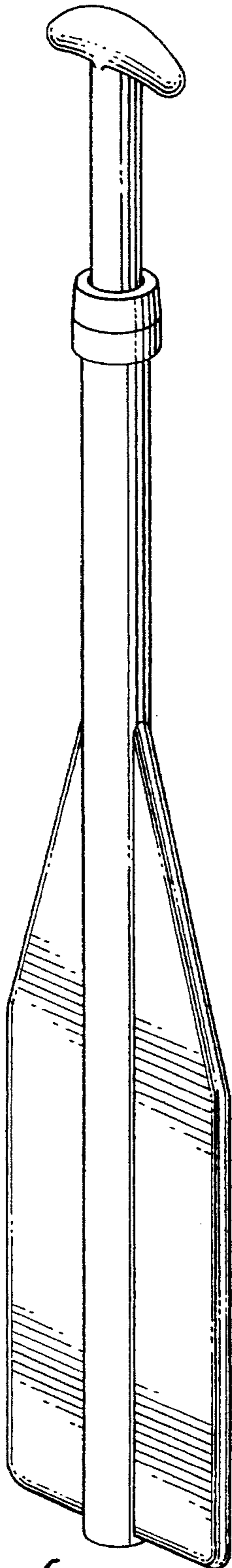


FIG. 1.

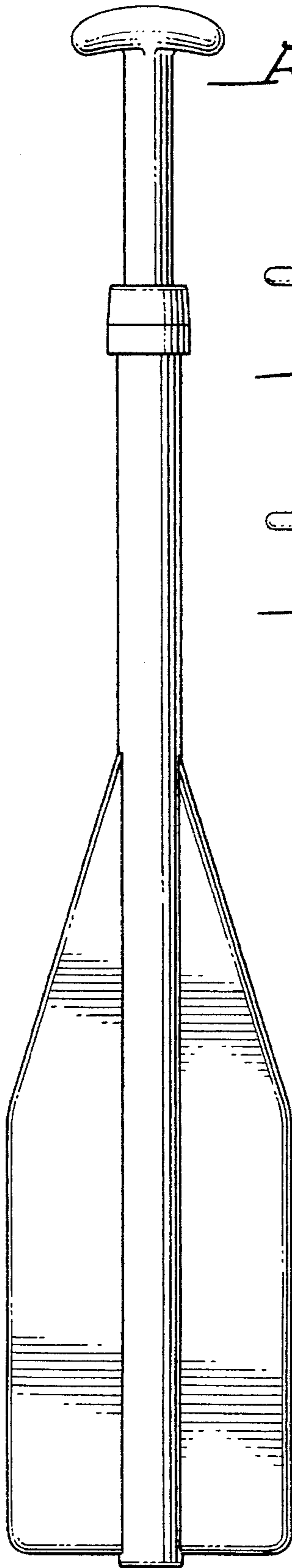


FIG. 2.

FIG. 3.



FIG. 4.

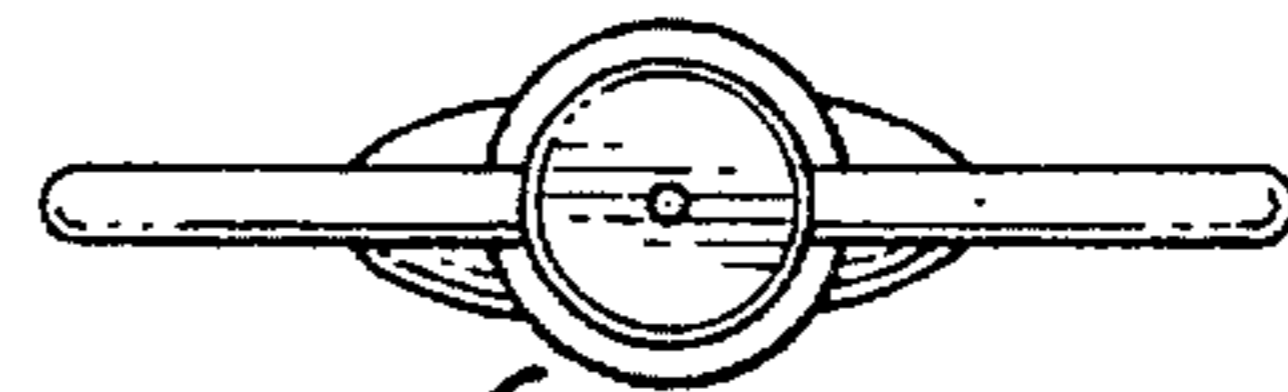


FIG. 5.

