



US00D362833S

United States Patent [19] McKelvey

[11] Patent Number: **Des. 362,833**

[45] Date of Patent: ****Oct. 3, 1995**

[54] **CLAMP FOR WHEELCHAIR BASKETS**

4,919,443	4/1990	Kehler	280/304.1
5,064,157	11/1991	O'Neal	248/230
5,180,181	1/1993	Letchipia	280/304.1

[75] Inventor: **Richard L. McKelvey**, Rogers, Ark.

[73] Assignee: **Sage Industries, Inc.**, Rogers, Ark.

[**] Term: **14 Years**

Primary Examiner—B. J. Bullock
Attorney, Agent, or Firm—Boyd D. Cox

[21] Appl. No.: **4,396**

[22] Filed: **Feb. 4, 1993**

[52] U.S. Cl. **D12/133; D8/394**

[58] Field of Search **D8/382, 394, 396;**
D12/133; 248/230; 280/304.1; 403/167

[57] **CLAIM**

The ornamental design of a clamp for wheelchair baskets, as shown.

DESCRIPTION

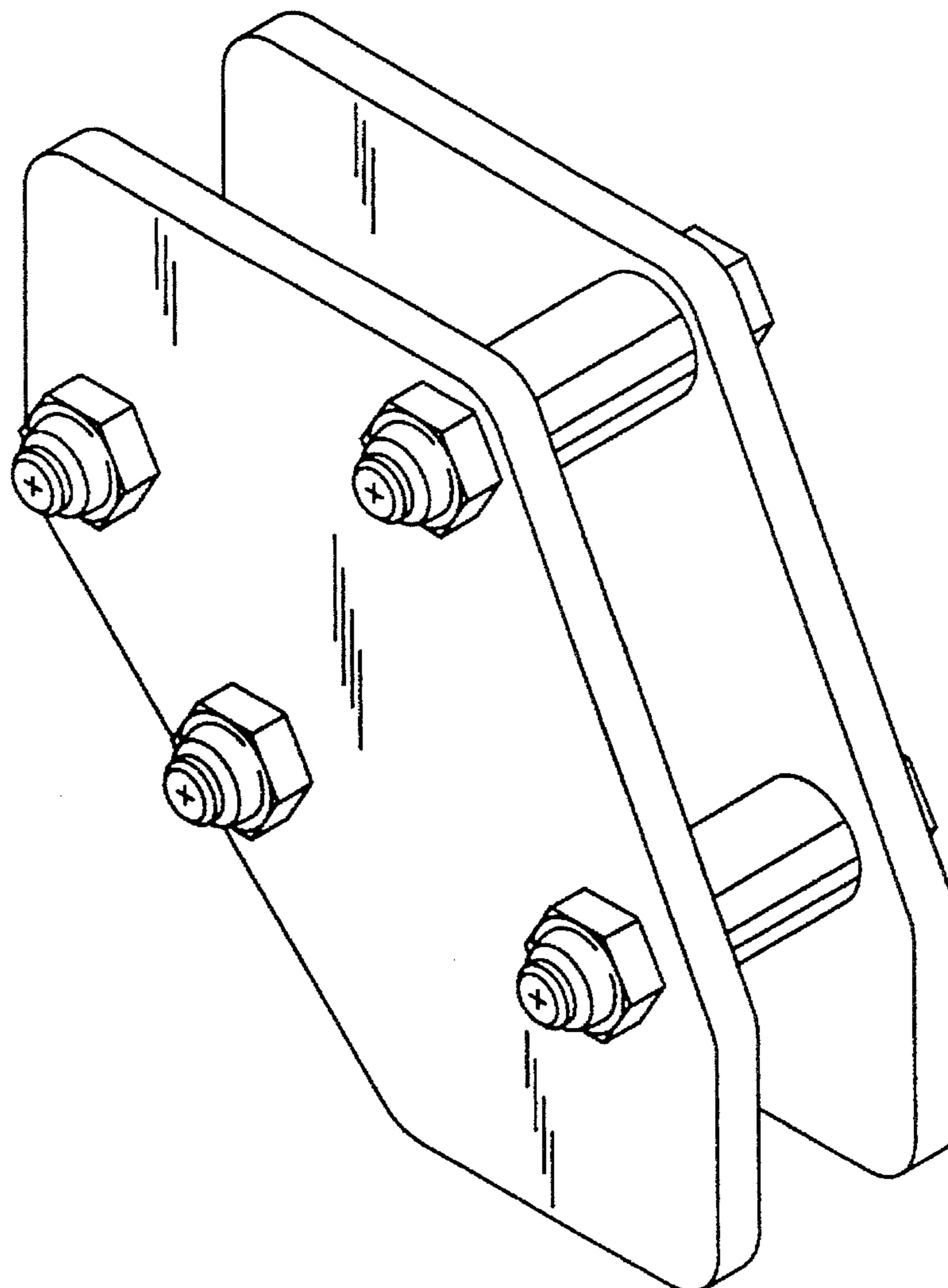
FIG. 1 is a front, top and right side perspective view of the clamp for wheelchair baskets of the present design; FIG. 2 is a front elevational view thereof; FIG. 3 is a rear elevational view thereof; FIG. 4 is a right side elevational view thereof; FIG. 5 is a left side elevational view thereof; FIG. 6 is a top plan view thereof; and, FIG. 7 is a bottom plan view thereof.

[56] **References Cited**

U.S. PATENT DOCUMENTS

D. 327,460	6/1992	Laenger et al.	D12/133
D. 329,029	9/1992	Chapman, II	D12/133
3,414,223	12/1968	Pawsat	248/230
4,580,803	4/1986	Davis	280/304.1
4,795,182	1/1989	Dyess et al.	280/304.1

1 Claim, 2 Drawing Sheets



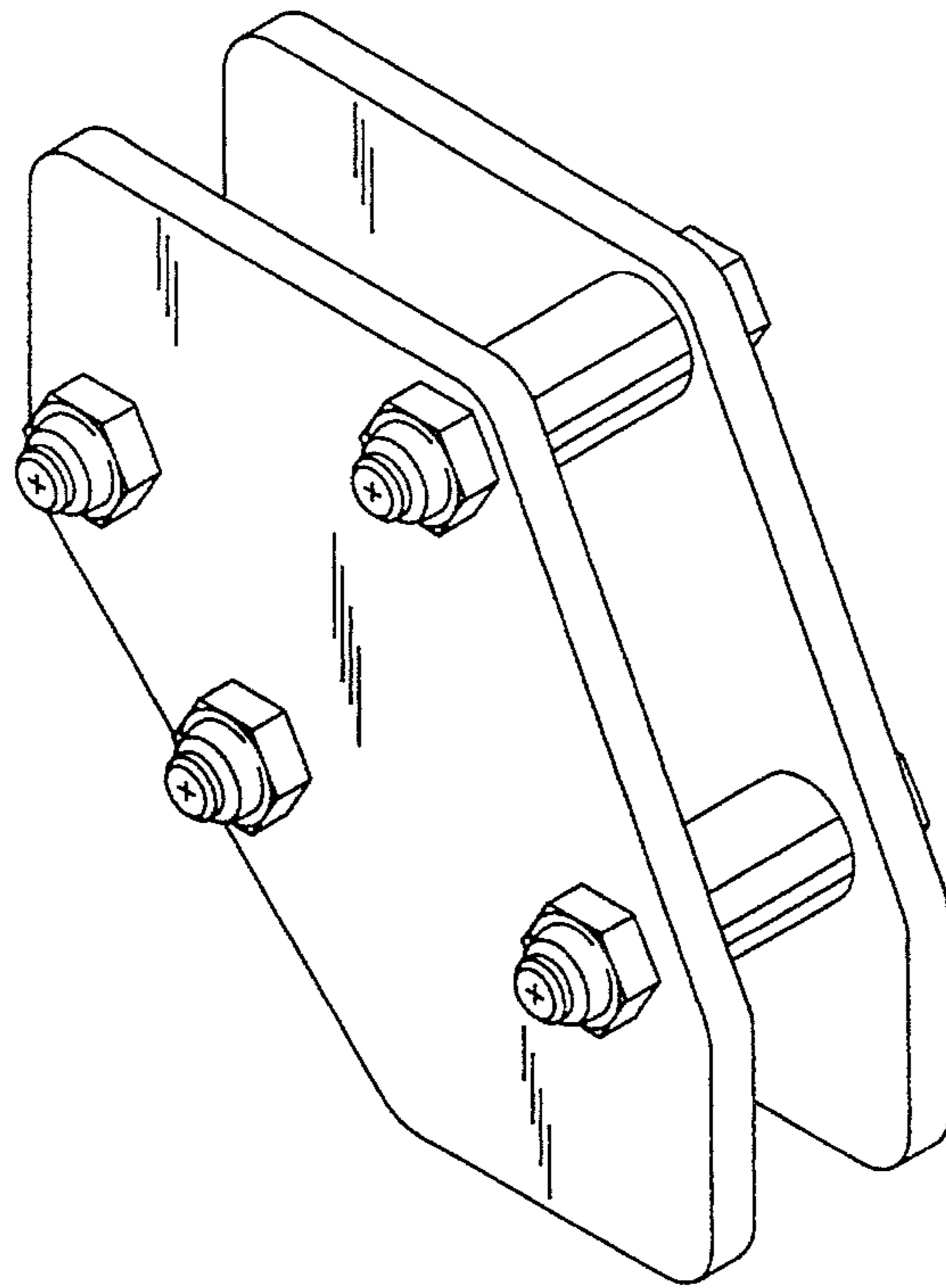


Fig. 1

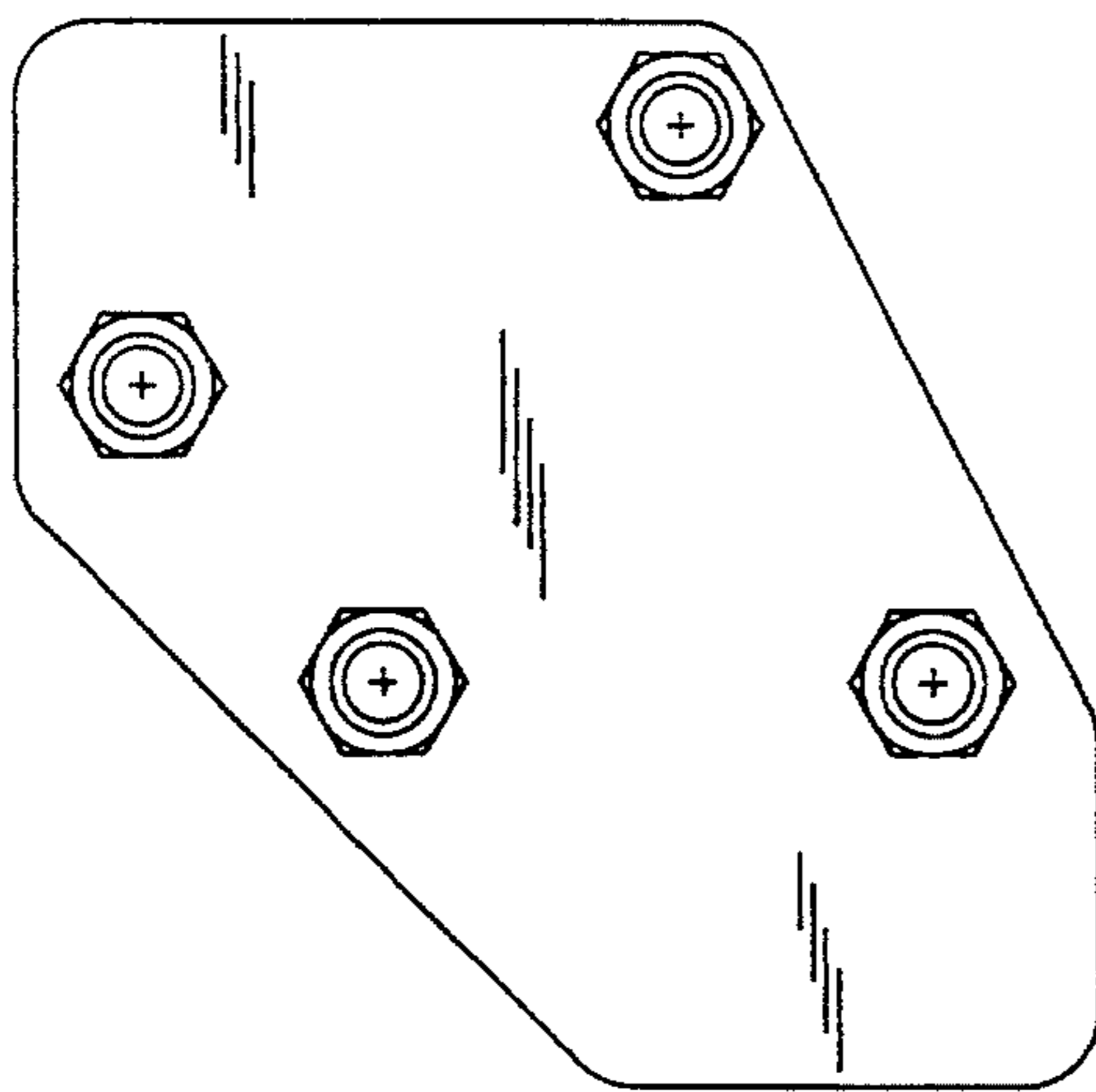


Fig. 2

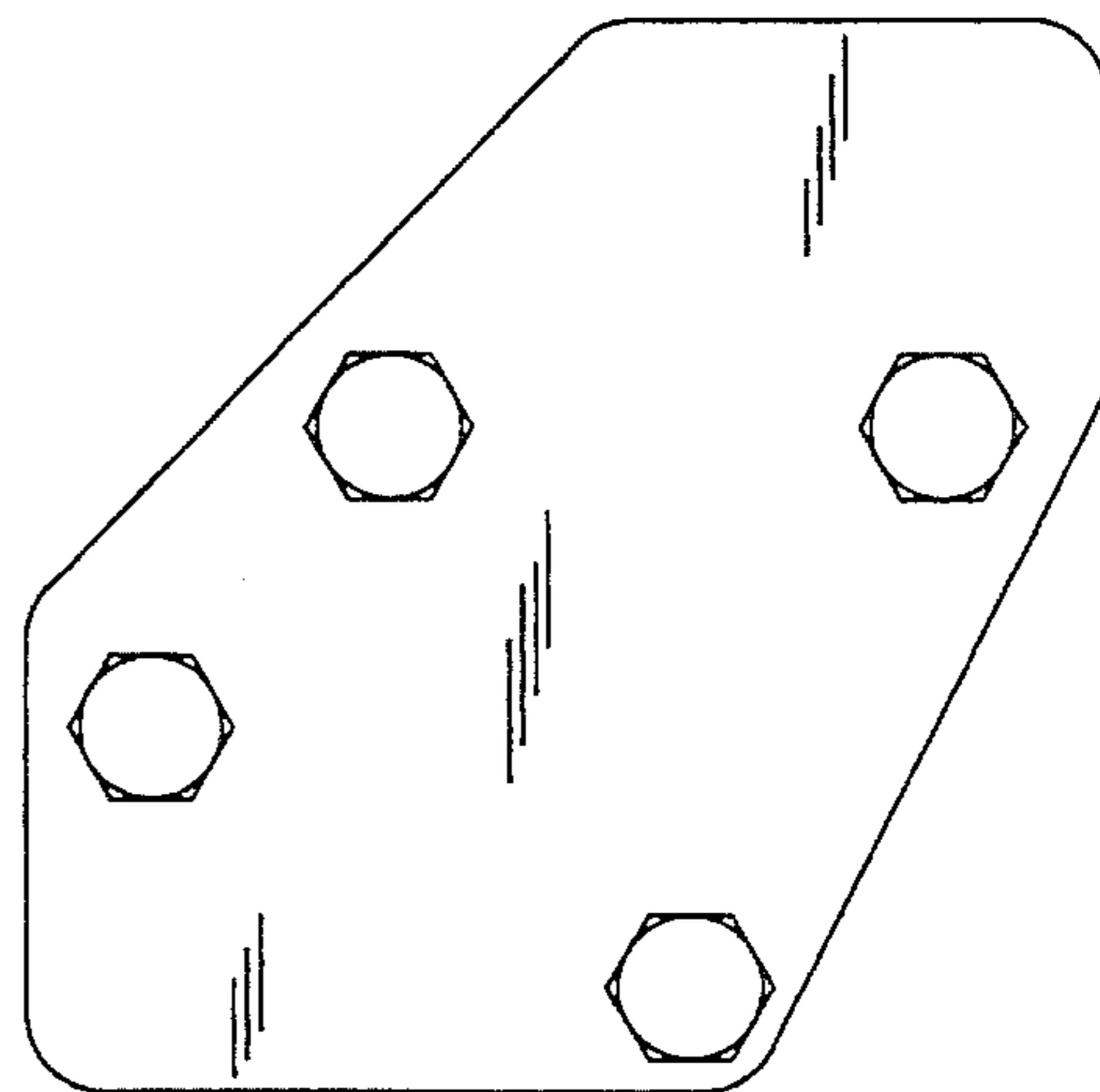


Fig. 3

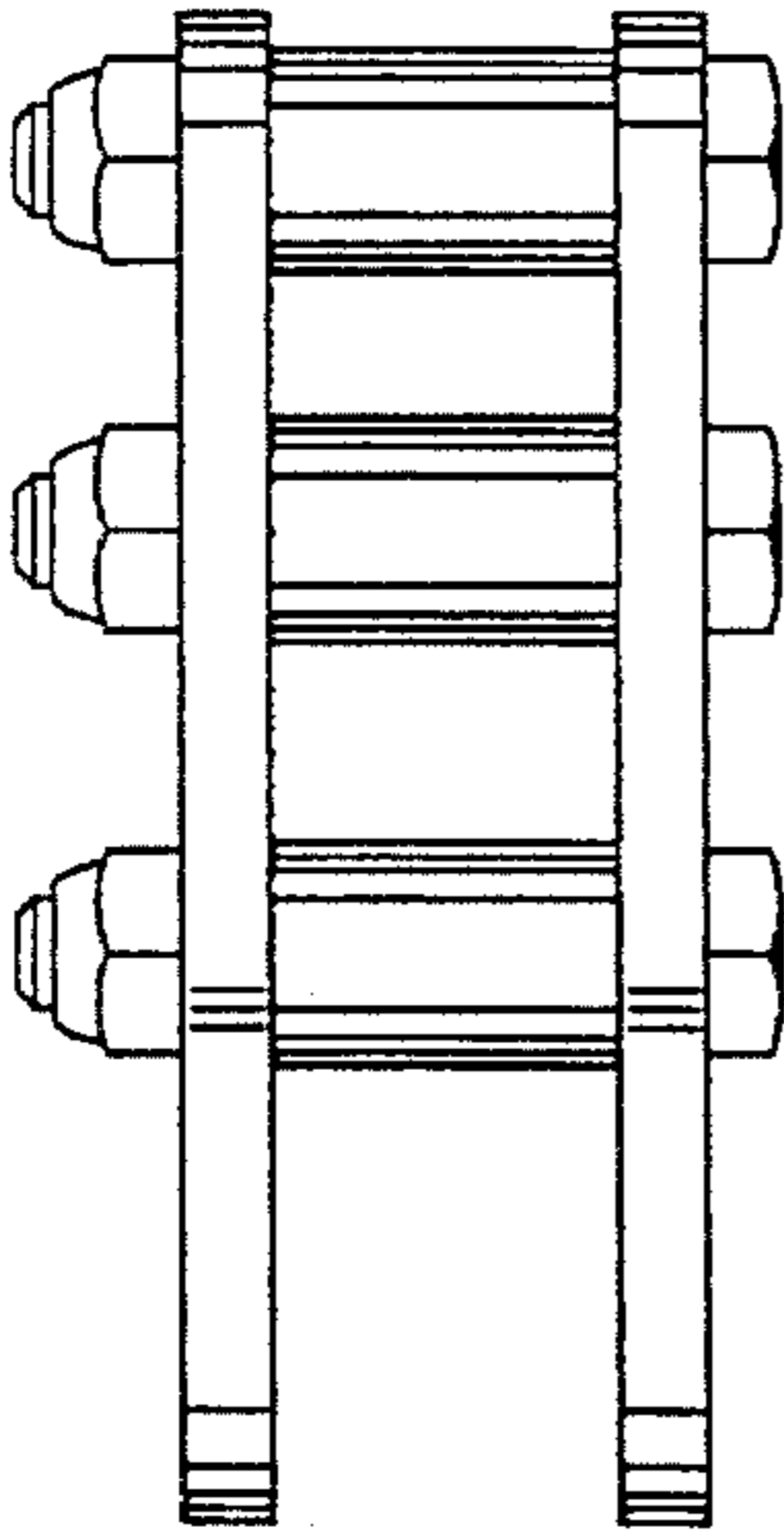


Fig. 4

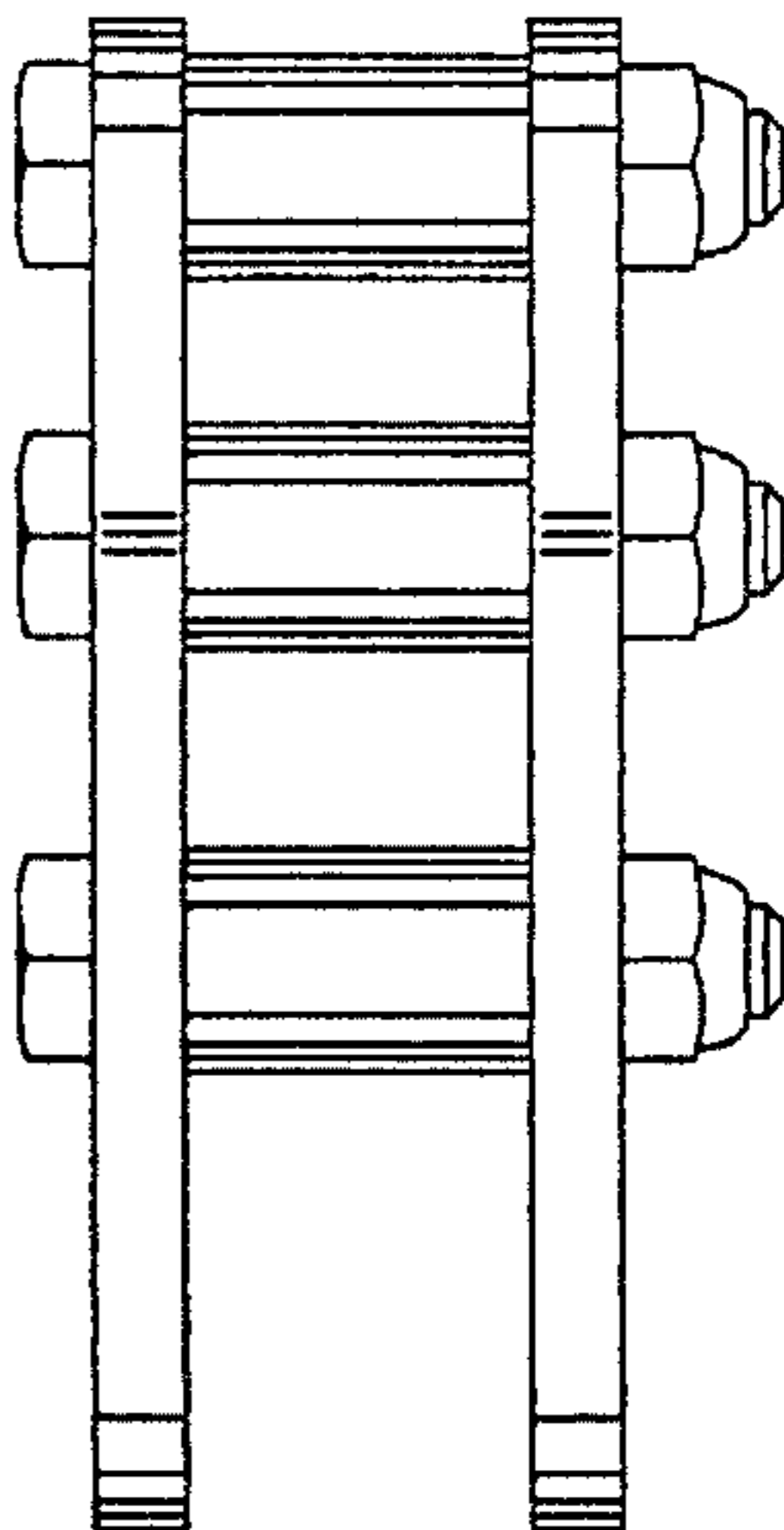


Fig. 5

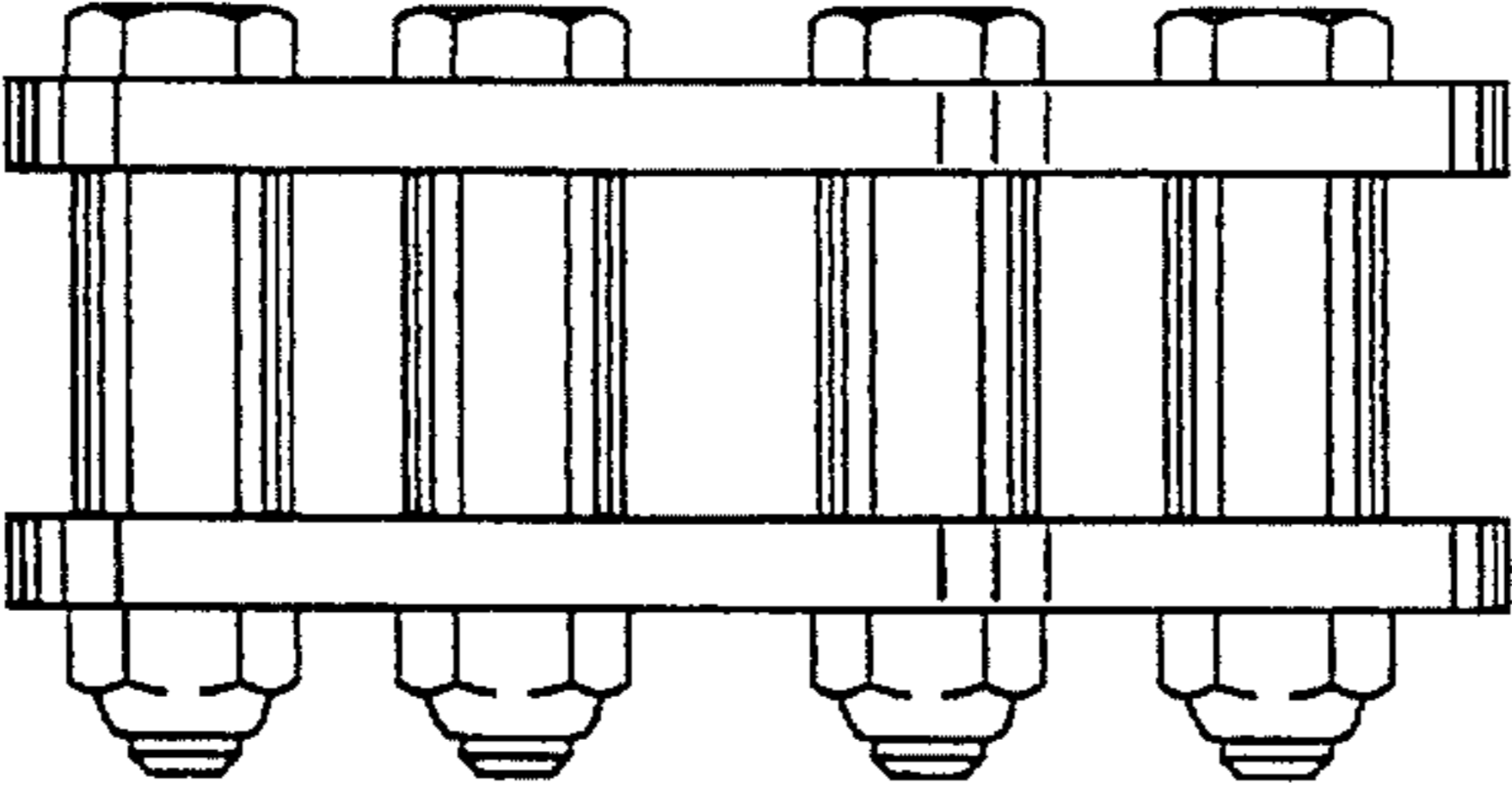


Fig. 6

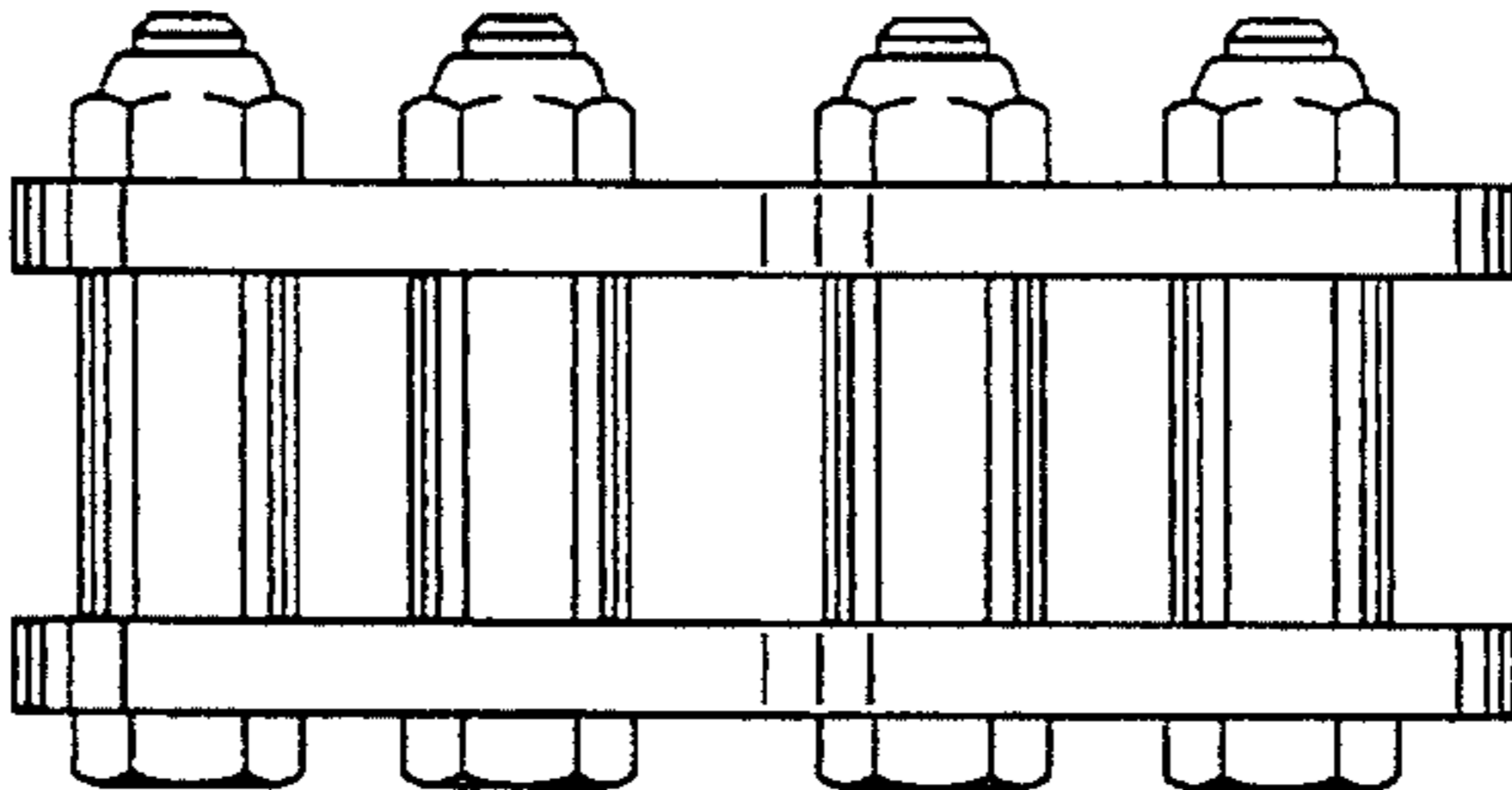


Fig. 7