



US00D362831S

# United States Patent [19]

[11] Patent Number: **Des. 362,831**

Minowa et al.

[45] Date of Patent: **\*\*Oct. 3, 1995**

[54] **AUTOMOBILE**

[75] Inventors: **Motoaki Minowa**, Tokyo; **Toshihiko Shibuya**, Saitama; **Naoya Ishikura**, Tokyo, all of Japan

[73] Assignee: **Honda Giken Kogyo Kabushiki Kaisha**, Tokyo, Japan

[\*\*] Term: **14 Years**

[21] Appl. No.: **20,641**

[22] Filed: **Mar. 30, 1994**

[52] U.S. Cl. .... **D12/91**

[58] Field of Search ..... D12/82-83, 86, D12/88-92; D21/78; 296/185-186

[56] **References Cited**

**U.S. PATENT DOCUMENTS**

- D. 295,392 4/1988 Machida et al. .
- D. 305,624 1/1990 Doyle et al. .... D12/90
- D. 340,010 10/1993 Guedon .
- D. 346,989 5/1994 Dolan ..... D12/91
- D. 347,198 5/1994 Semple ..... D12/91

**FOREIGN PATENT DOCUMENTS**

- 772987 10/1989 Japan .
- 775684 11/1989 Japan .
- 775686 11/1989 Japan .
- 773013 7/1992 Japan .

**OTHER PUBLICATIONS**

Car and Driver, Mar. 1992, Mazda MPV, p. 102.  
Autocar & Driver, Feb. 10, 1993, Nissan Spare Wagon, p. 56.

International Designs Bulletin—Apr. 1988, pp. 1187 and 1188.

International Designs Bulletin—Nov. 1987, pp. 2497 and 2498.

Nissan Quest, 1993 (three pages).

Pontiac, 1993. We are Driving Excitement. (two pages).

Renault Espace RXE V6i Brochure (two pages).

International Designs Bulletin—May 1993, pp. 3054 and 3055.

Toyota 1993 Previa (one page).

*Primary Examiner*—Melanie H. Tung

[57] **CLAIM**

The ornamental design for an automobile, as shown and described.

**DESCRIPTION**

FIG. 1 is a right side elevational view of an automobile showing my new design;

FIG. 2 is a left side elevational view thereof;

FIG. 3 is a front elevational view thereof;

FIG. 4 is a rear elevational view thereof;

FIG. 5 is a top plan view thereof;

FIG. 6 is a front perspective view thereof; and,

FIG. 7 is a rear perspective view thereof.

The bottom is substantially flat and not ornamental.

**1 Claim, 6 Drawing Sheets**

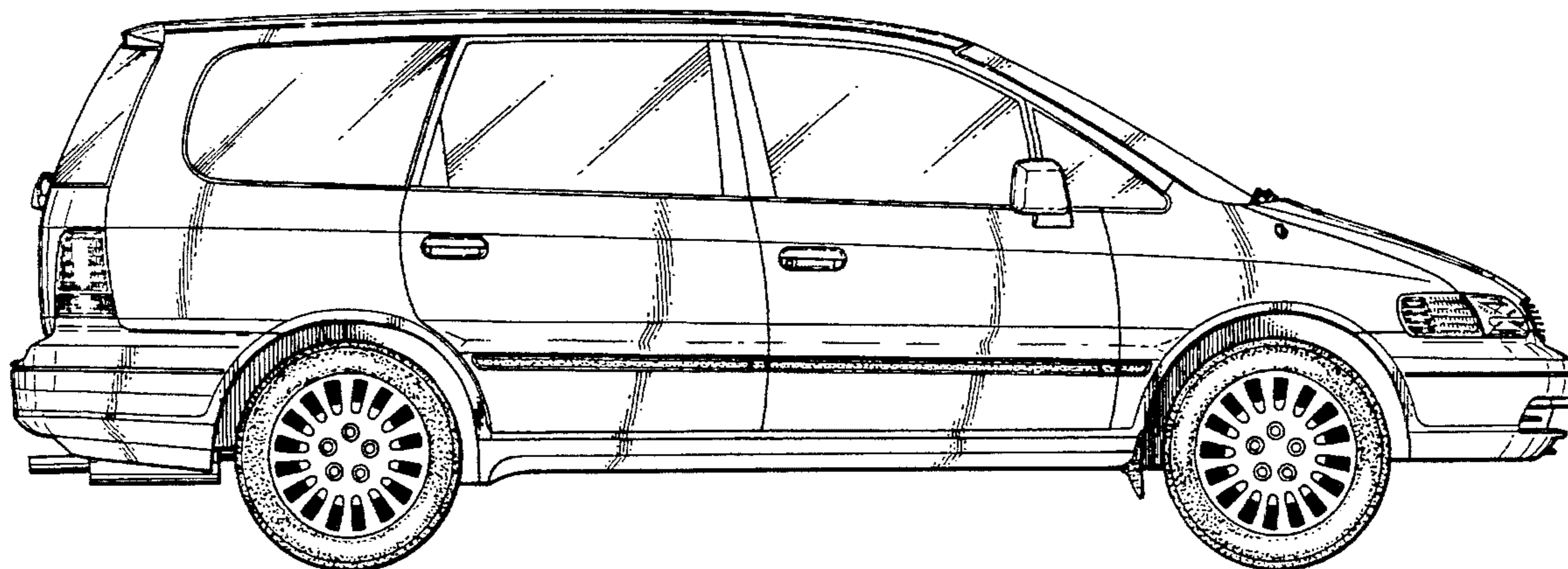


FIG.1

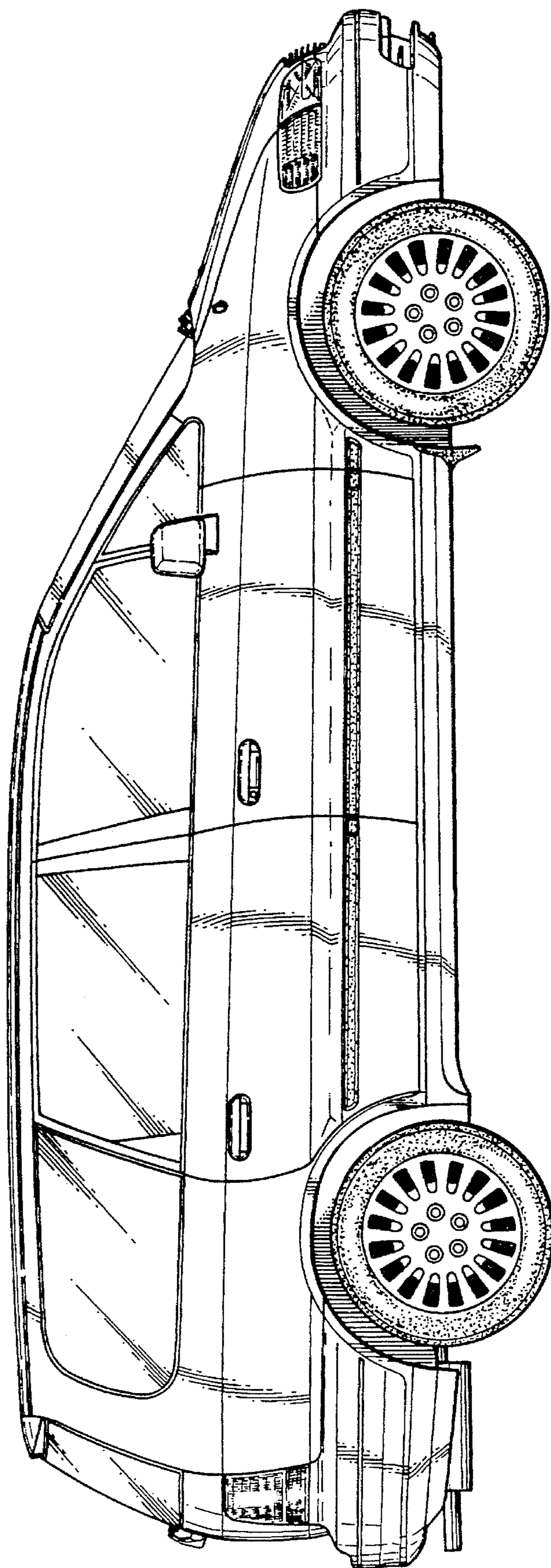


FIG. 2

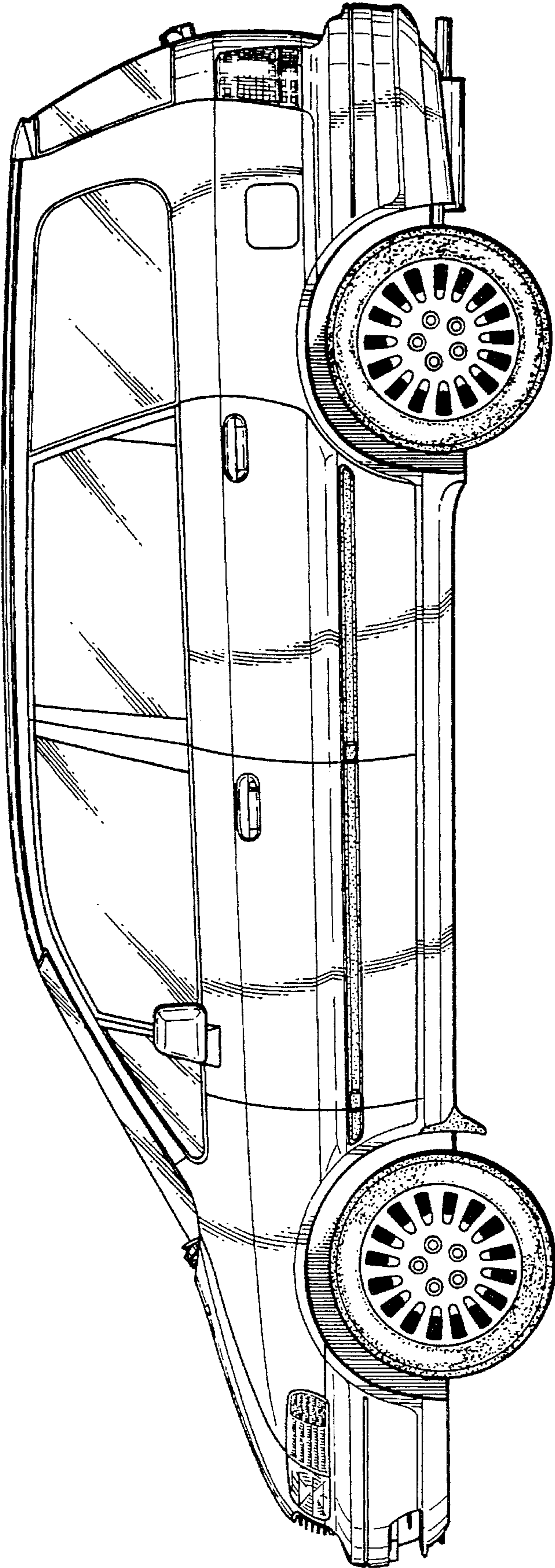


FIG. 3

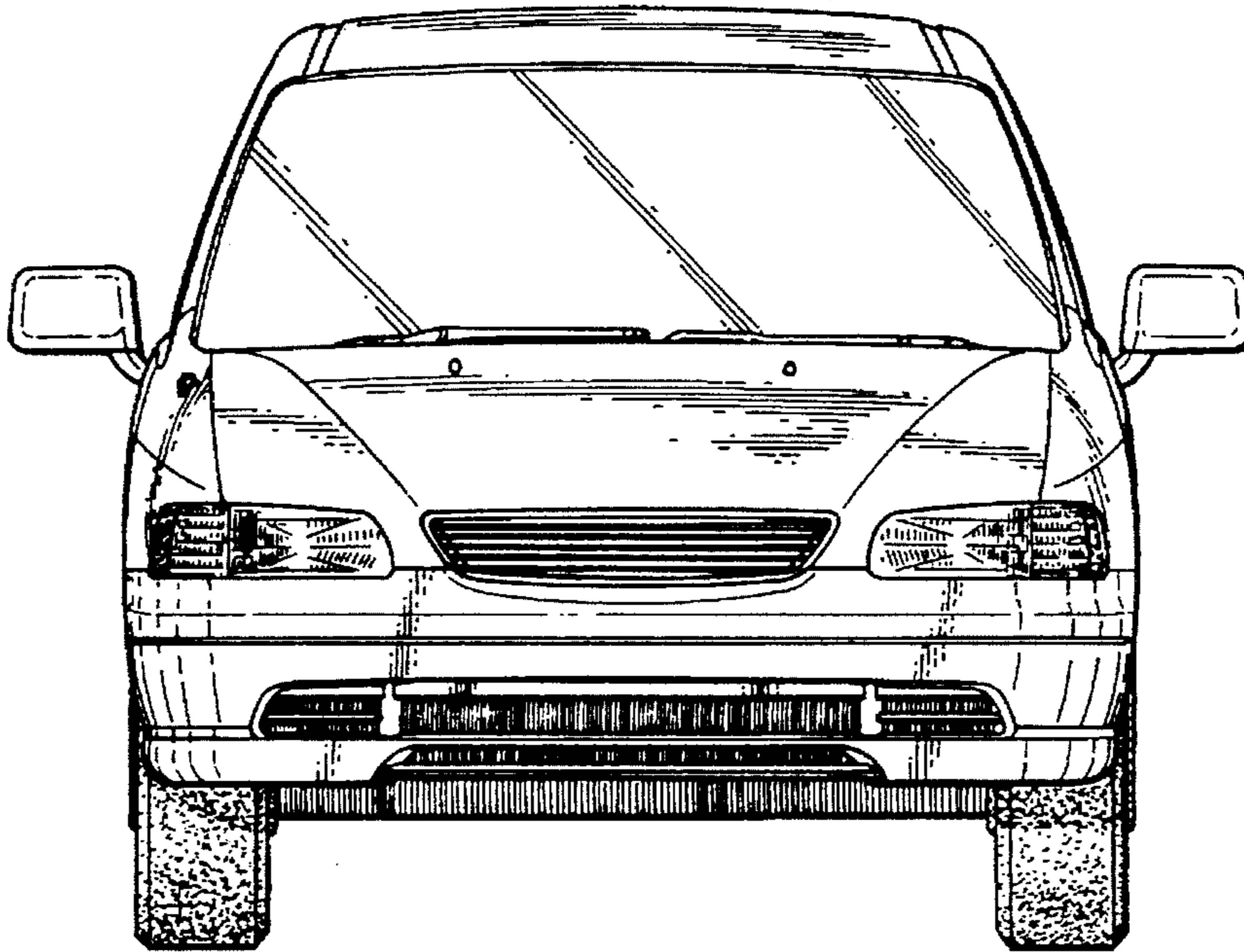


FIG. 4

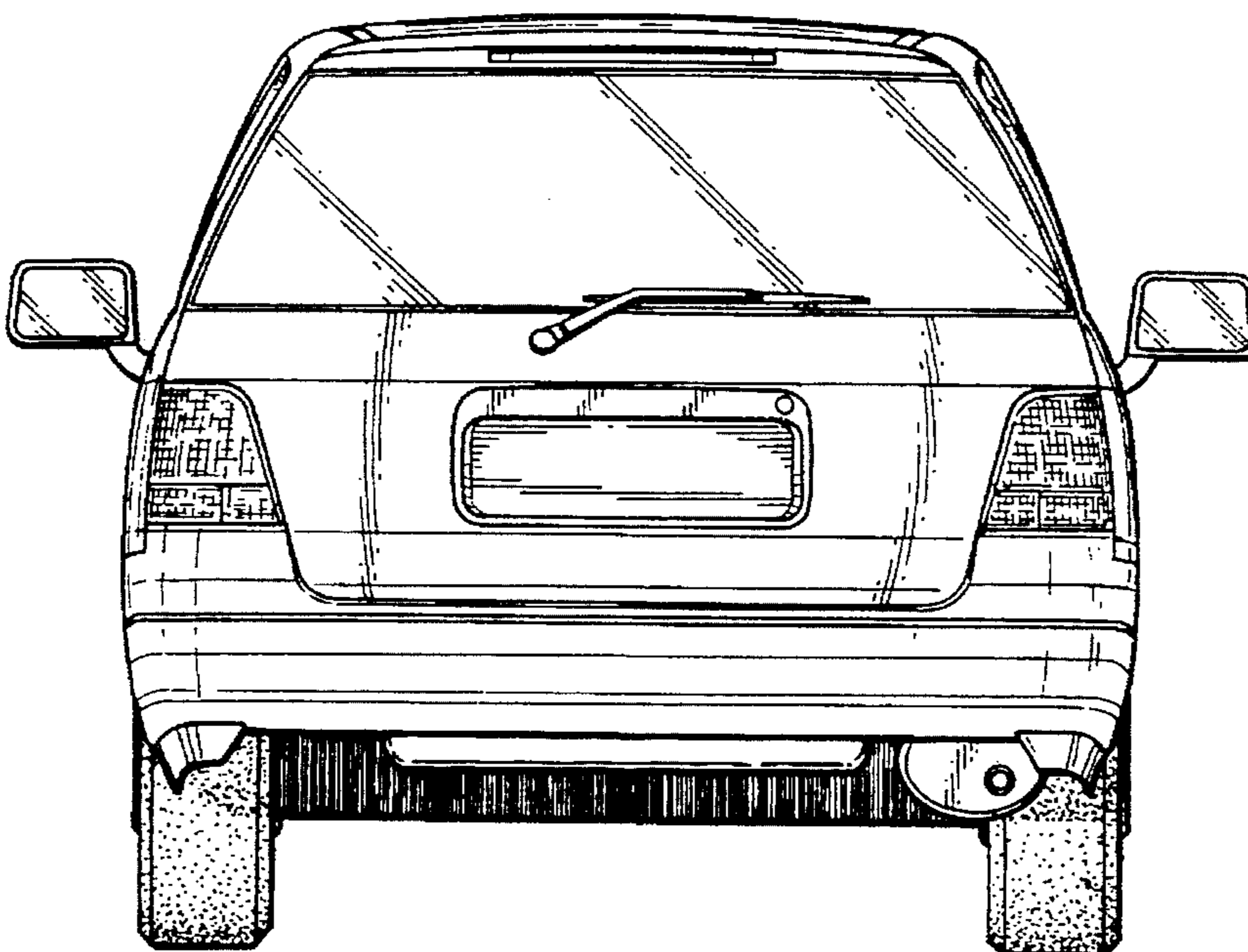


FIG. 5

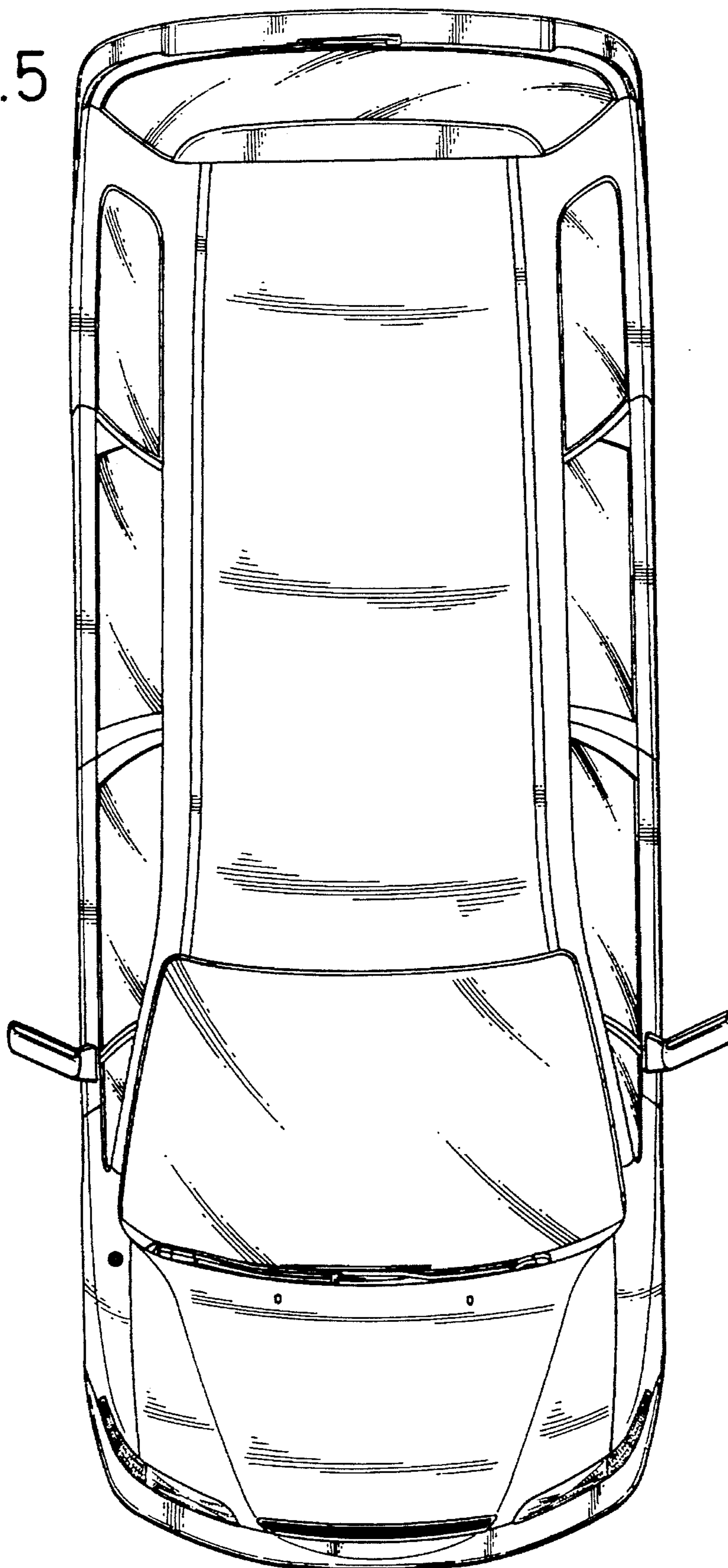


FIG.6

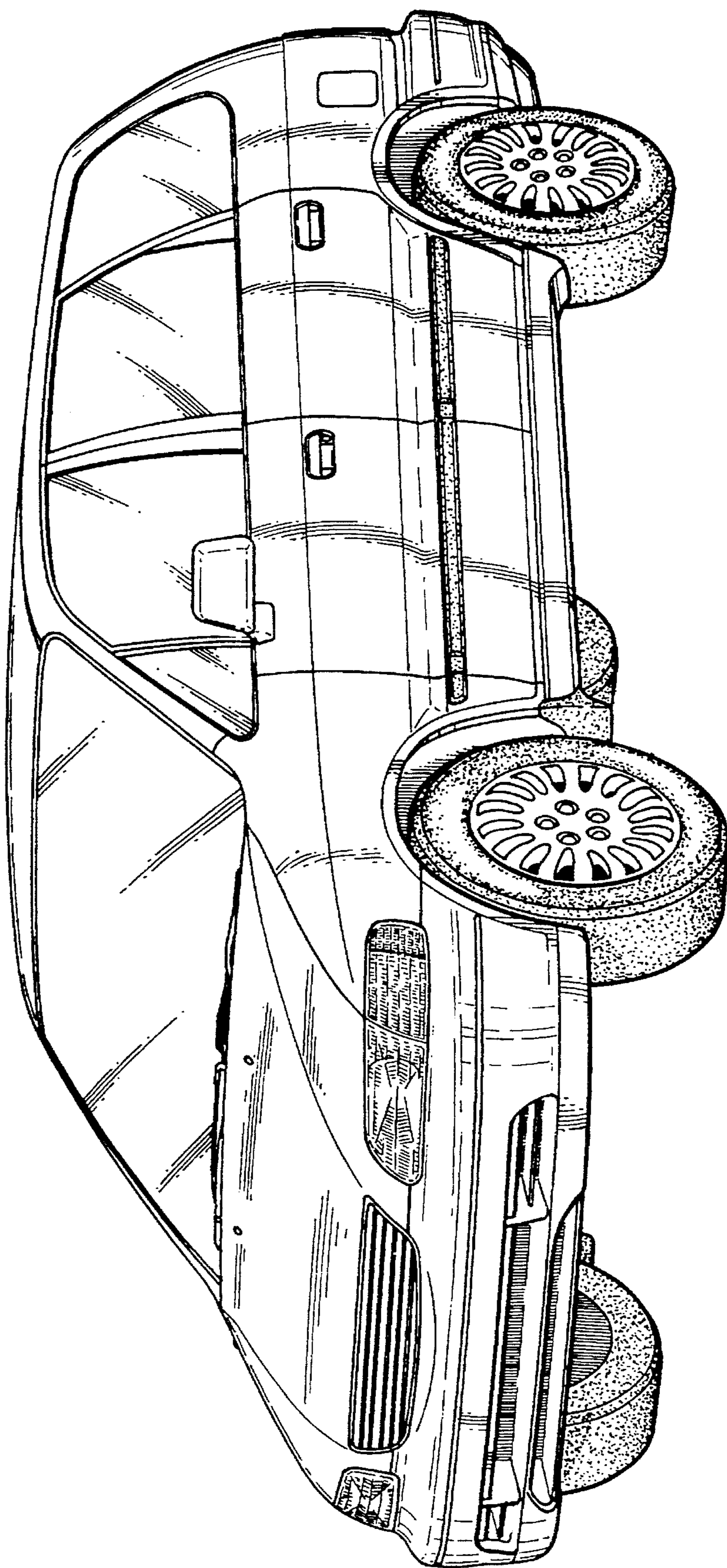


FIG. 7

