



US00D362830S

United States Patent [19]

[11] Patent Number: **Des. 362,830**

Maggard

[45] Date of Patent: ****Oct. 3, 1995**

[54] **SLIDE FASTENER ACTUATOR**

[76] Inventor: **Steve E. Maggard**, HC Rte. 71 Box
343, Ava, Mo. 65608

[**] Term: **14 Years**

[21] Appl. No.: **27,602**

[22] Filed: **Aug. 25, 1994**

[52] U.S. Cl. **D11/221**

[58] Field of Search D11/200, 221;
92/641; 294/3.6

2,939,193 6/1960 Morgan 294/3.6
 3,017,680 1/1962 Duncan 294/3.6
 3,059,301 10/1962 Dierks D11/221
 3,276,087 10/1966 Hanson 294/3.6

Primary Examiner—Ralf T. Seifert

[57] CLAIM

The ornamental design for a slide fastener actuator, as shown and described.

DESCRIPTION

FIG. 1 is a front elevational view of the slide fastener actuator showing my new design;
 FIG. 2 is a rear elevational view thereof;
 FIG. 3 is a left side elevational view thereof;
 FIG. 4 is a right side elevational view thereof;
 FIG. 5 is a top plan view thereof;
 FIG. 6 is a bottom plan view thereof; and,
 FIG. 7 is a perspective view thereof.

1 Claim, 4 Drawing Sheets

[56] References Cited

U.S. PATENT DOCUMENTS

D. 207,628	5/1967	Zern	D11/221
D. 238,985	3/1976	Cloud	D11/221
D. 296,882	7/1988	Lopez	D11/221
D. 339,552	9/1993	Burchette	D11/221
2,840,412	6/1958	Lancaster	D11/221
2,845,297	7/1958	Doop	D11/221
2,928,157	3/1960	Deering	D11/221

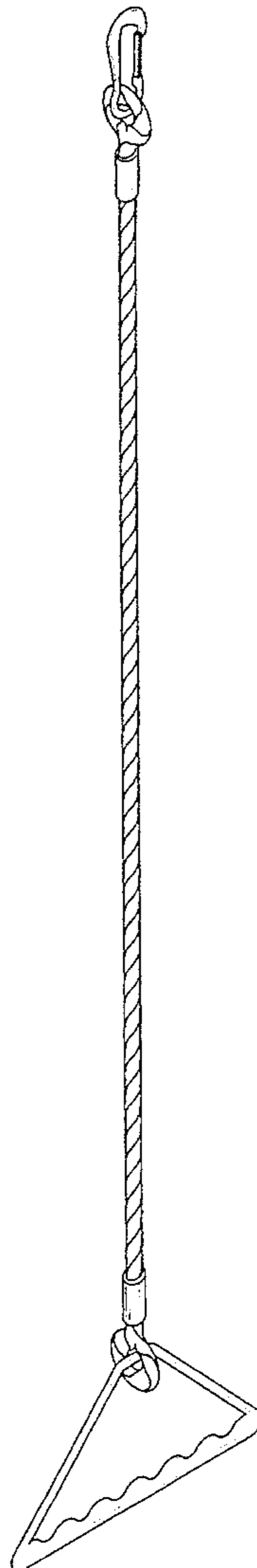


FIG. 1

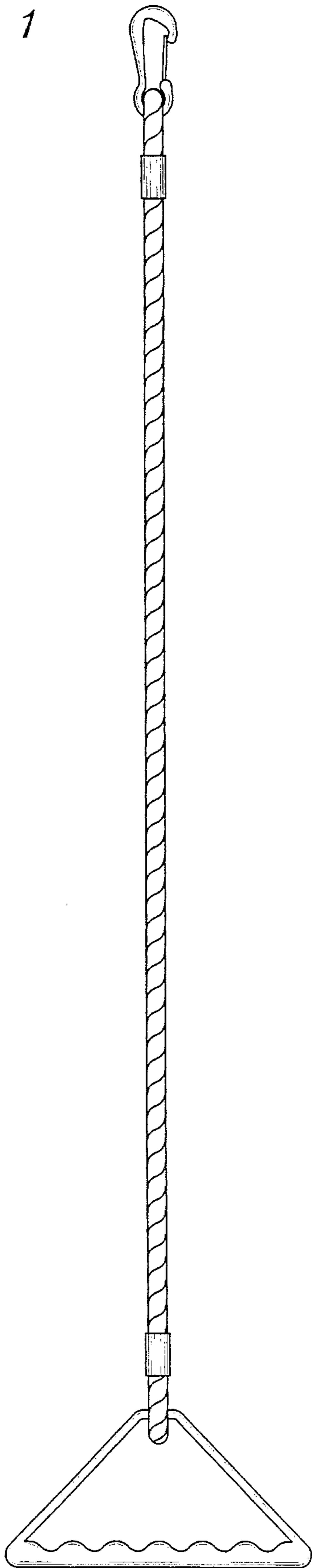


FIG. 2

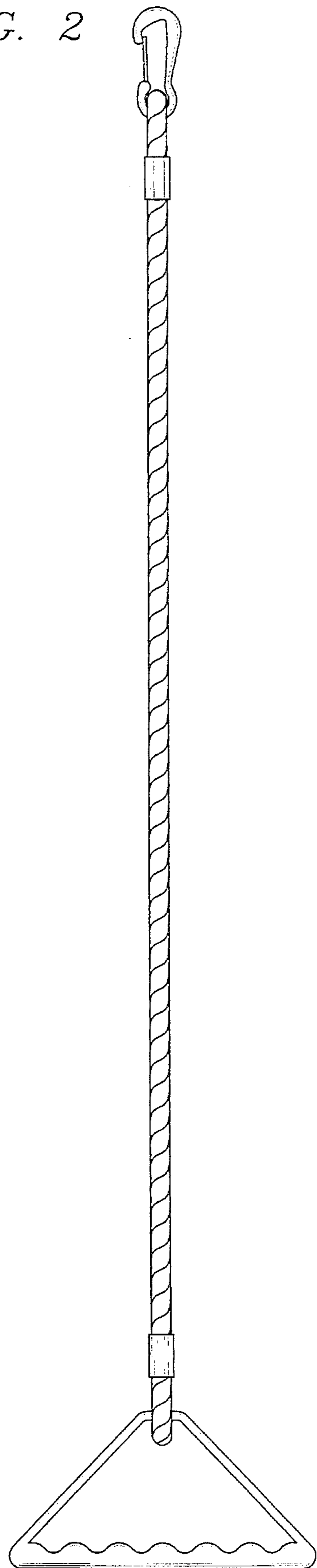


FIG. 3

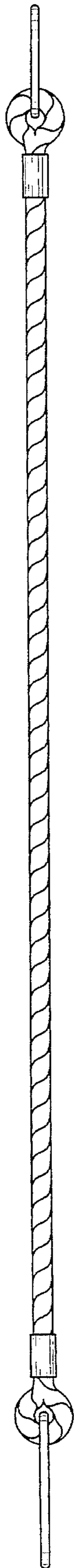


FIG. 4

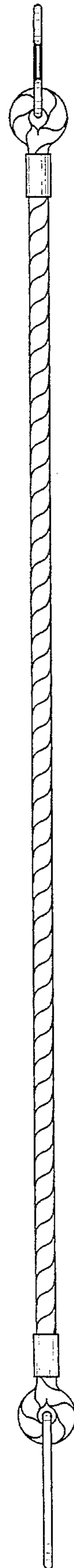


FIG. 5

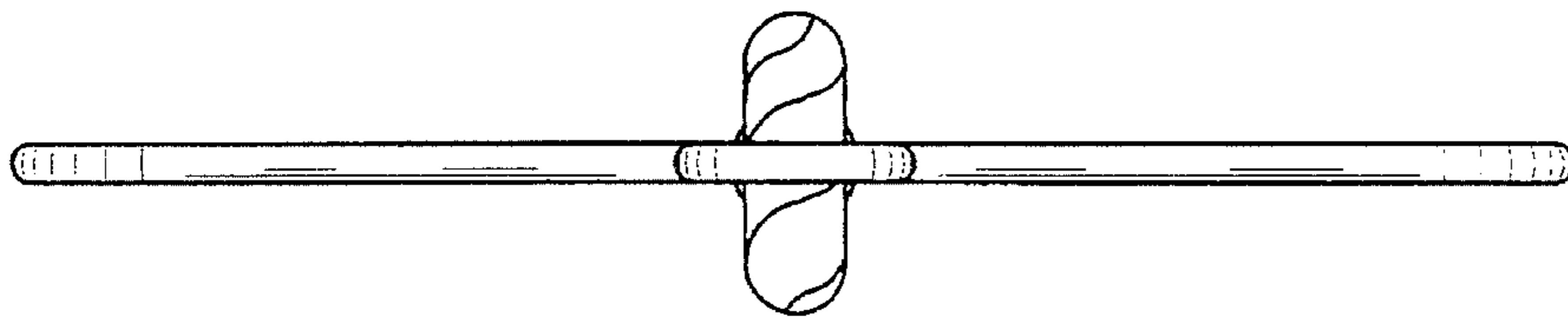


FIG. 6

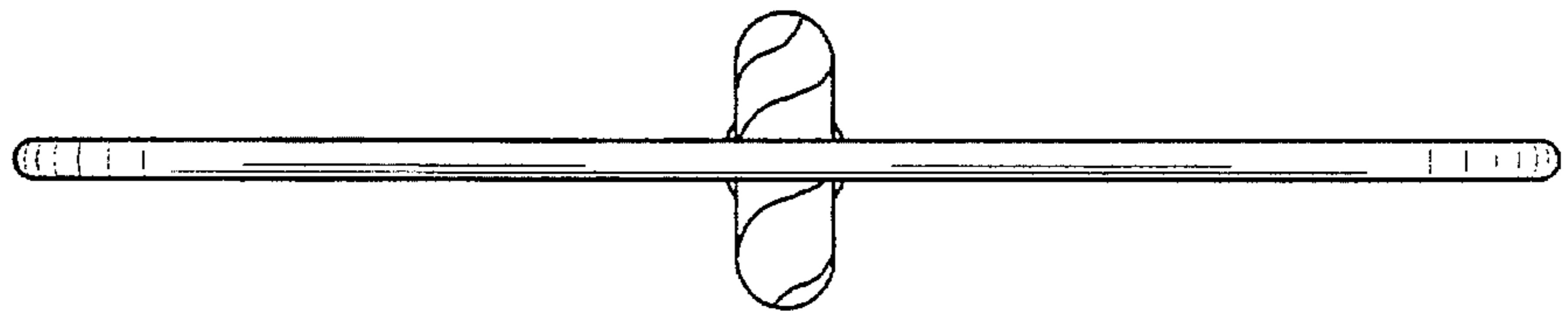


FIG. 7

