



US00D362829S

# United States Patent [19]

[11] Patent Number: **Des. 362,829**

**Wagner**

[45] Date of Patent: **\*\*Oct. 3, 1995**

[54] **HANGING BASKET DRIP PAN**

### FOREIGN PATENT DOCUMENTS

[76] Inventor: **Curtis D. Wagner**, P.O. Box 1226,  
League City, Tex. 77574

1267541 3/1972 United Kingdom ..... 47/67 H

[\*\*] Term: **14 Years**

*Primary Examiner*—Alan P. Douglas  
*Assistant Examiner*—Cathron B. Matta  
*Attorney, Agent, or Firm*—Keeling Law Firm

[21] Appl. No.: **28,984**

### [57] CLAIM

[22] Filed: **Sep. 27, 1994**

The ornamental design for a hanging basket, as shown and described.

[52] U.S. Cl. .... **D11/164**

[58] Field of Search ..... D11/164, 152;  
47/67 H, 66 SC

### DESCRIPTION

### [56] References Cited

#### U.S. PATENT DOCUMENTS

D. 230,760	3/1974	Wilkinson	.....	D11/152	X
3,184,203	5/1965	Steen	.....	47/67	H
4,109,415	8/1978	Hall	.....	47/67	H

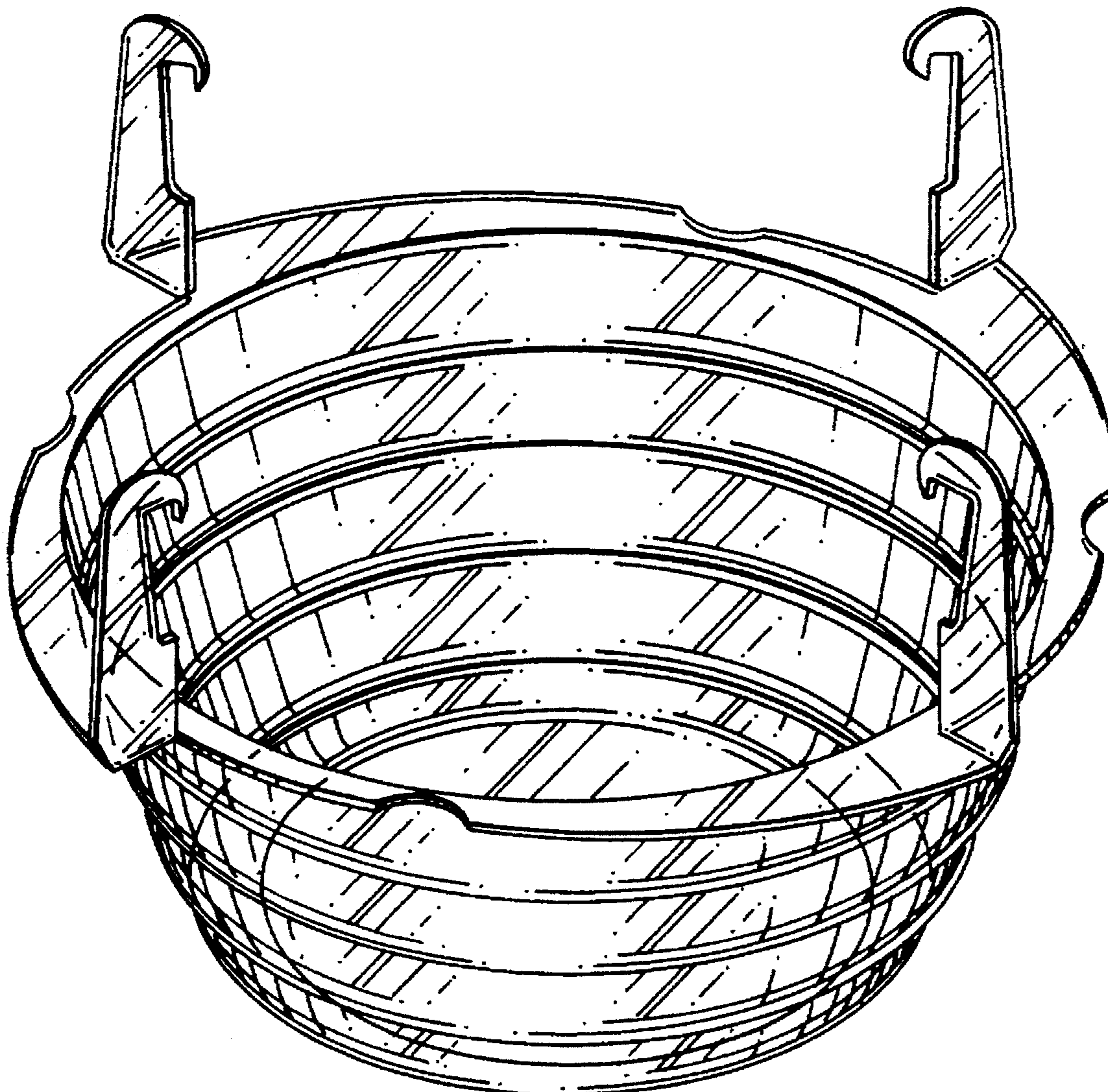
FIG. 1 is an isometric view of the hanging basket drip pan depicting my new design;

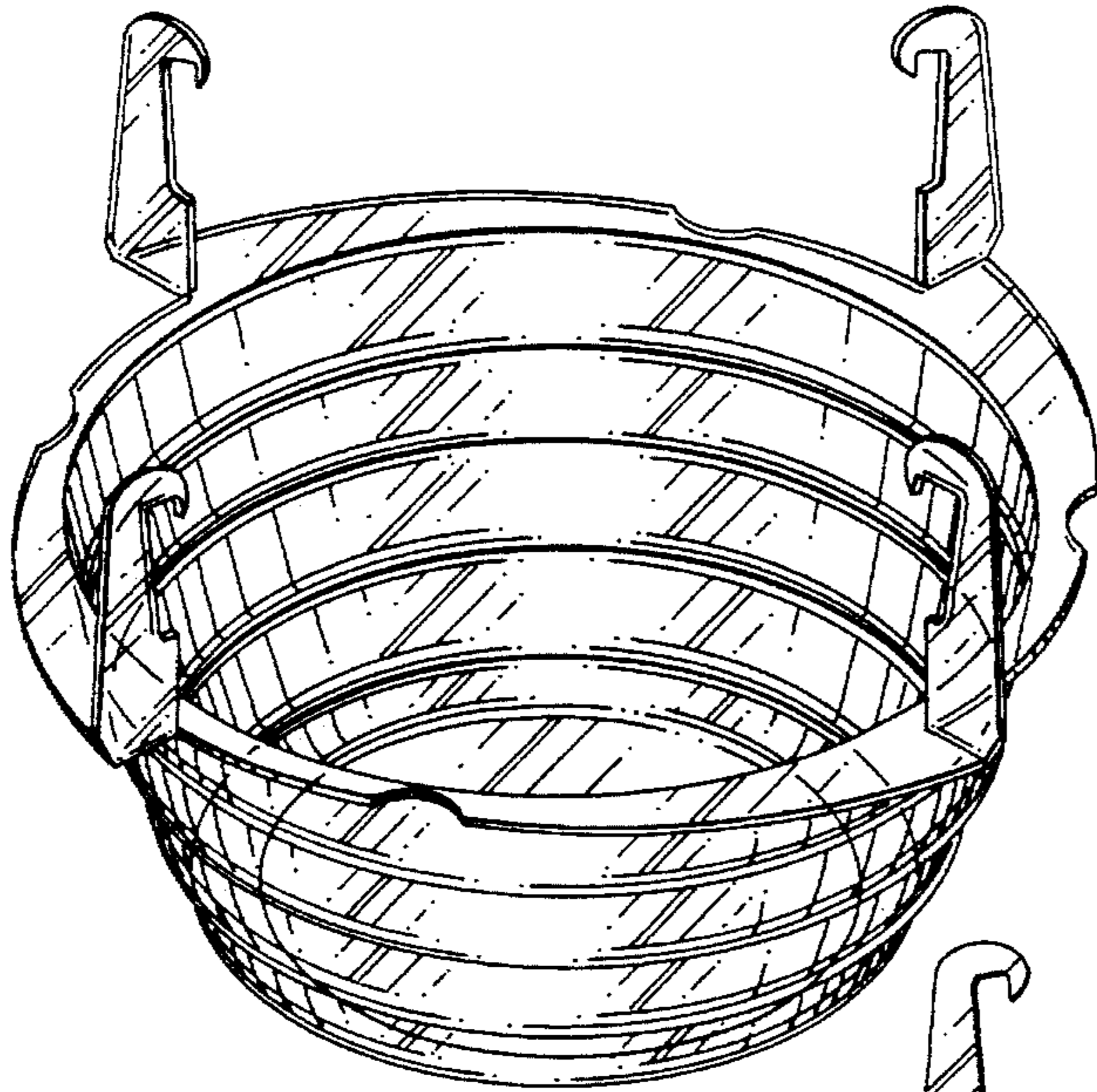
FIG. 2 is a typical side view of the hanging basket drip pan;

FIG. 3 is a plan view of the hanging basket drip pan; and,

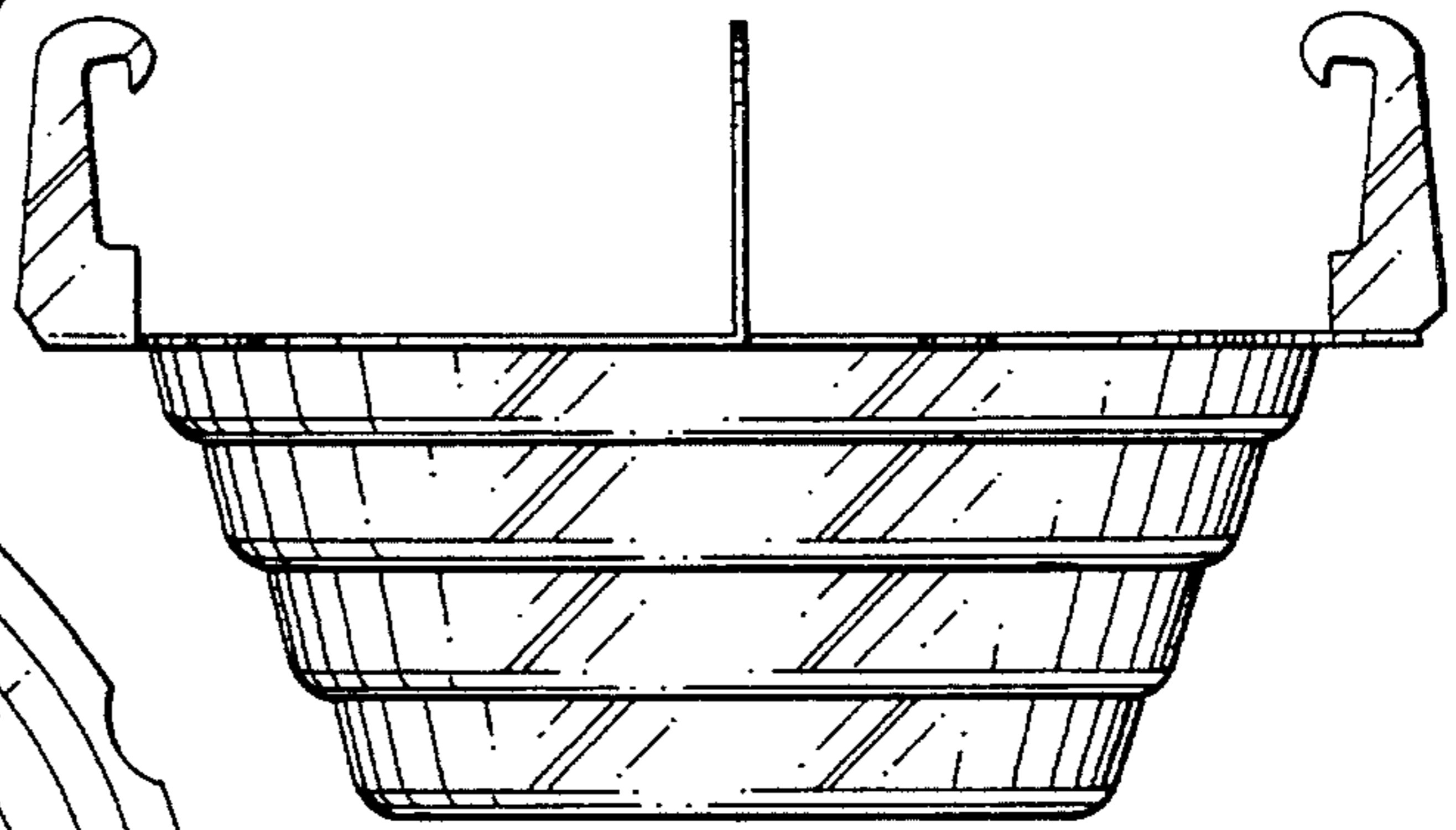
FIG. 4 is a bottom view of the hanging basket drip pan.

**1 Claim, 1 Drawing Sheet**

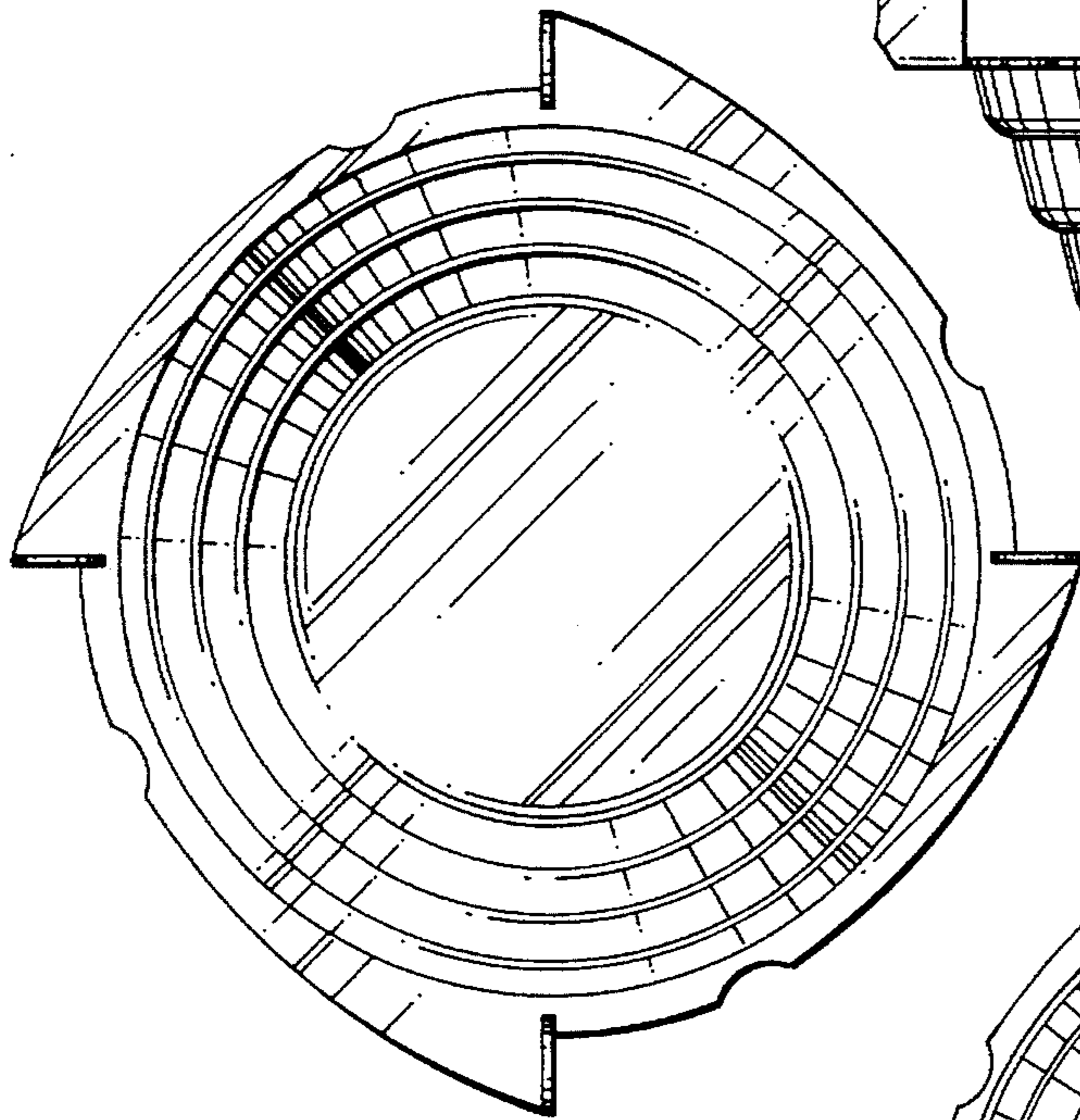




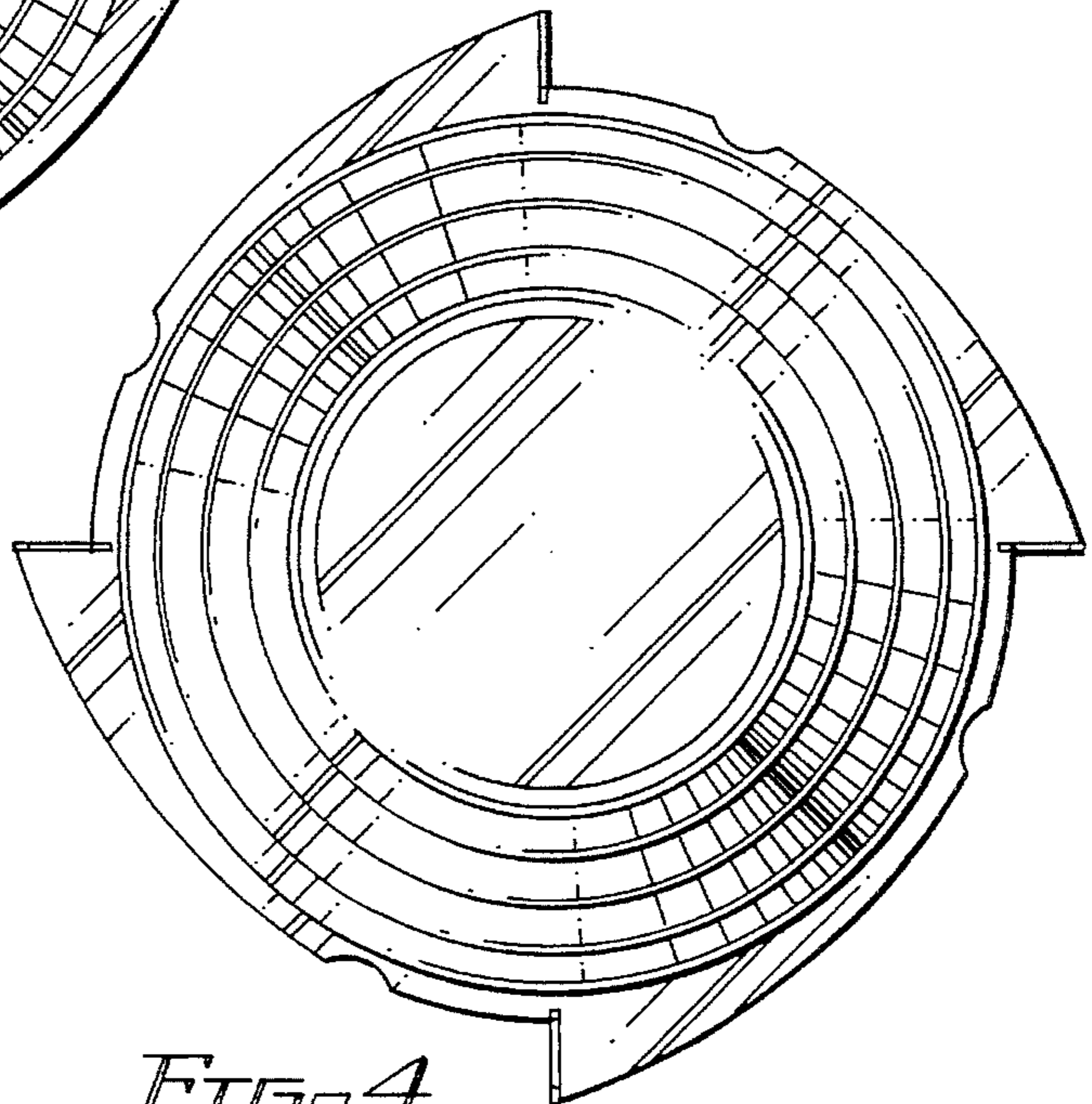
*FIG. 1*



*FIG. 2*



*FIG. 3*



*FIG. 4*