



US00D362825S

United States Patent [19]

[11] Patent Number: Des. 362,825

Weder et al.

[45] Date of Patent: *** Oct. 3, 1995

[54] FLOWER POT COVER

[75] Inventors: **Donald E. Weder; Joseph G. Straeter**,
both of Highland, Ill.

[73] Assignee: **Highland Supply Corporation**,
Highland, Ill.

[*] Notice: The portion of the term of this patent
subsequent to Sep. 15, 2006 has been
disclaimed.

[**] Term: **14 Years**

[21] Appl. No.: **808,554**

[22] Filed: **Dec. 16, 1991**

Related U.S. Application Data

[63] Continuation-in-part of Ser. No. 710,272, Jun. 4, 1991,
abandoned, which is a continuation-in-part of Ser. No.
617,454, Nov. 21, 1990, abandoned, and Ser. No. 411,249,
Sep. 22, 1989, and Ser. No. 411,247, Sep. 22, 1989, and Ser.
No. 411,245, Sep. 22, 1989.

[52] U.S. Cl. **D11/164; D11/143**

[58] Field of Search D11/143, 152,
D11/153, 154, 155, 156, 164; 47/66, 72;
206/423; 215/100.5; 229/1.5 B, 4.5, 922;
248/27.8, 35.1, 542.6

[56] References Cited

U.S. PATENT DOCUMENTS

D. 47,800	9/1915	Pick .	
D. 132,559	5/1942	Sawyer	D11/153
209,788	11/1878	Affel .	
D. 254,659	4/1980	Karotseris	D11/143
D. 287,950	1/1987	Weder et al.	D11/143
D. 289,024	3/1987	Vaughn	D11/164
D. 289,982	5/1987	Weder et al.	D11/164
D. 292,182	10/1987	Weder et al.	D11/164
D. 292,183	10/1987	Weder et al.	D11/164
D. 292,184	10/1987	Weder et al.	D11/164
D. 292,185	10/1987	Weder et al.	D11/164
D. 292,186	10/1987	Weder et al.	D11/164
D. 292,187	10/1987	Weder et al.	D11/164

(List continued on next page.)

FOREIGN PATENT DOCUMENTS

103316	3/1938	Australia	229/922
560532	4/1975	Switzerland .	

OTHER PUBLICATIONS

Exhibit A—Speed Cover® Brochure—The Simple Solution
. . . , ©1989.

Exhibit A. Curtis Wagner Co., Inc., Houston, Tex., shows
thick, stiff shiny red plastic pot cover with large scalloped
border. (Photograph) Date unknown.

Exhibit B. Jacobson Pot Cover Company of Scranton,
Pennsylvania advertising literature. Date of first use
unknown.

(List continued on next page.)

Primary Examiner—Martie Thompson
Attorney, Agent, or Firm—Dunlap & Coddling

[57] CLAIM

The ornamental design for a flower pot cover, as shown and
described.

DESCRIPTION

FIG. 1 is a top perspective view of a flower pot cover
showing our new design;

FIG. 2 is a top plan view;

FIG. 3 is a side elevational view;

FIG. 4 is a side elevational view of a second embodiment of
our new design;

FIG. 5 is a side elevational view of a third embodiment of
our new design;

FIG. 6 is a side elevational view of a fourth embodiment of
our new design;

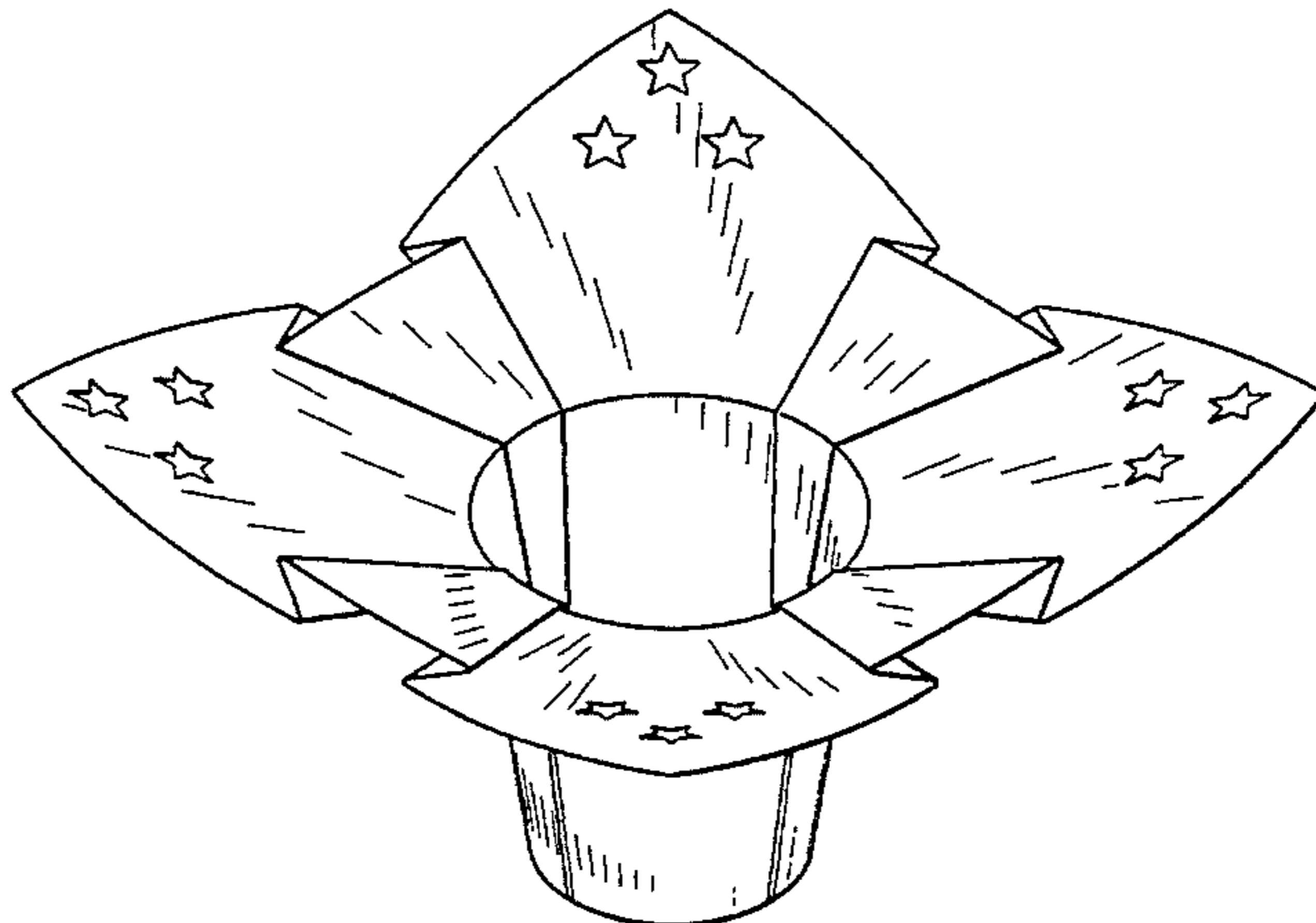
FIG. 7 is a side elevational view of FIG. 6, the only
difference being the angle of the skirt; and,

FIG. 8 is a side elevational view of FIG. 6, the only
difference being the angle of the skirt.

The flower pot cover has no substantial thickness.

The characteristic feature of the design resides in the specific
pleating arrangement comprised of the parallel disposition
of the exterior folds in combination with the interior
V-shaped folds, all as best shown in FIG. 1.

1 Claim, 2 Drawing Sheets



U.S. PATENT DOCUMENTS

D. 292,188	10/1987	Weder et al.	D11/164	1,868,853	7/1932	Sievers .	
D. 292,189	10/1987	Weder et al.	D11/164	1,924,926	8/1933	Gray .	
D. 292,190	10/1987	Weder et al.	D11/164	1,951,642	3/1934	Augustin et al.	47/34
D. 292,191	10/1987	Weder et al.	D11/164	2,054,934	9/1936	Graffenberger	229/1.5 B
D. 292,561	11/1987	Weder et al.	D11/164	2,102,510	12/1937	Cecil, II	229/1.5 B
D. 292,562	11/1987	Weder et al.	D11/164	2,302,259	11/1942	Rothfuss	41/10
D. 292,563	11/1987	Weder et al.	D11/164	2,355,559	8/1944	Renner	229/8
D. 293,222	12/1987	Weder et al.	D11/164	2,482,981	9/1949	Kamrass	41/13
D. 293,223	12/1987	Weder et al.	D11/164	2,570,954	10/1951	Kasman	65/53
D. 293,224	12/1987	Weder et al.	D11/164	2,967,652	1/1961	Canfield et al.	229/5.5
D. 293,304	12/1987	Weder et al.	D11/164	3,022,605	2/1962	Reynolds	47/58
D. 293,305	12/1987	Weder et al.	D11/164	3,232,469	2/1966	Piazz	215/38
D. 293,306	12/1987	Weder et al.	D11/164	3,271,922	9/1966	Wallerstein et al.	53/3
D. 293,307	12/1987	Weder et al.	D11/164	3,488,022	1/1970	Vittori	248/152
D. 293,308	12/1987	Weder et al.	D11/164	3,542,616	11/1970	Cain et al.	156/224
D. 293,774	1/1988	Weder et al.	D11/164	3,820,684	6/1974	Harrison	206/520
D. 293,775	1/1988	Weder et al.	D11/164	3,962,503	6/1976	Crawford	428/40
D. 296,535	7/1988	Weder et al.	D11/149	4,043,077	8/1977	Stonehocker	47/66
D. 297,422	8/1988	Weder et al.	D11/164	4,118,890	10/1978	Shore	47/28
D. 298,017	10/1988	Weder et al.	D11/164	4,170,618	10/1979	Adams	264/101
D. 301,565	6/1989	Weder	D11/152	4,216,620	8/1980	Weder et al.	47/72
D. 302,139	7/1989	Weder	D11/153	4,300,312	11/1981	Weder et al.	47/72
D. 302,253	7/1989	Weder	D11/153	4,408,644	10/1983	Svantesson	150/55
D. 302,254	7/1989	Weder	D11/153	4,413,725	11/1983	Bruno et al.	206/45.33
D. 302,404	7/1989	Weder	D11/153	4,508,223	4/1985	Catrambone	206/423
D. 302,405	7/1989	Weder	D11/155	4,712,725	12/1987	Moore	229/8
D. 302,406	7/1989	Weder	D11/155	4,733,521	3/1988	Weder et al.	53/580
D. 302,407	7/1989	Weder	D11/155	4,773,182	9/1988	Weder et al.	47/72
D. 303,759	10/1989	Mileos	D9/306	4,795,601	1/1989	Cheng	264/138
D. 303,775	10/1989	Weder	D11/155	4,813,862	3/1989	Bowers et al.	425/87
D. 313,376	1/1991	Weder	D11/164	4,835,834	6/1989	Weder	29/525
D. 313,573	1/1991	Weder et al.	D11/164				
D. 313,574	1/1991	Weder et al.	D11/164				
D. 313,575	1/1991	Weder et al.	D11/164				
D. 313,576	1/1991	Weder	D11/164				
D. 314,732	2/1991	Weder	D11/164				
D. 315,534	3/1991	Weder et al.	D11/164				
D. 315,878	4/1991	Weder et al.	D11/164				
D. 315,879	4/1991	Weder et al.	D11/164				
D. 315,880	4/1991	Weder et al.	D11/164				
D. 315,881	4/1991	Weder et al.	D11/164				
D. 315,882	4/1991	Weder	D11/164				
D. 315,883	4/1991	Weder	D11/164				
D. 316,060	4/1991	Weder	D11/164				
D. 316,061	4/1991	Weder	D11/164				
D. 316,062	4/1991	Weder et al.	D11/164				
D. 316,837	5/1991	Weder et al.	D11/164				
D. 316,838	5/1991	Weder et al.	D11/164				
D. 316,985	5/1991	Weder	D11/164				
D. 317,424	6/1991	Weder	D11/164				
D. 317,582	6/1991	Weder	D11/164				
D. 317,583	6/1991	Weder et al.	D11/164				
D. 318,029	7/1991	Weder	D11/164				
D. 318,030	7/1991	Weder et al.	D11/164				
D. 318,635	7/1991	Weder et al.	D11/164				
D. 319,034	8/1991	Weder et al.	D11/164				
D. 319,417	8/1991	Weder et al.	D11/164				
D. 319,991	9/1991	Weder	D11/164				
D. 329,408	9/1992	Weder et al.	D11/164				
1,065,486	6/1913	Washburn	229/1.5 B				
1,069,675	8/1913	Claussen .					
1,446,563	2/1923	Hughes .					
1,520,647	12/1924	Hennegan .					
1,632,347	6/1927	Pipkin .					

OTHER PUBLICATIONS

Exhibit C. Photograph of pot cover, manufacturer unknown, but very similar to #C21 on Exhibit B (Jacobson literature). Date unknown.

Exhibit D. Photocopy of photo of pot cover ("Platform Pot Dresser") made by John Raisen Corp., San Francisco, Calif. Date of first use unknown.

Exhibit E. Photograph of 2-part pot cover system made by floral Decor, subsidiary of John Henry Co., Lansing Mich. Date unknown.

Exhibit F. Photo of pot cover made by a Holland company (K.P.I.). Date of first public use believed to be late 1984.

Exhibit G. "The Glass of Frederick Carder", copyright 1971 by P. V. Gardner, showing various styles of glass basket-like vases or containers.

Exhibit H. "Speed Cover®" brochure, published in 1983 by Applicants, showing various pot covers for sale.

Exhibit I. "Speed Cover®" brochure, published in 1983 by Applicants, showing various spot covers for sale.

Exhibit J. Item published in 1936 by Gellman Bros., Minneapolis, Minn. Shows an assortment of paper hats.

Exhibit K. Photo of various otehr flower pot wrappings, sold in rolls or sheets and used in the floral industry for years. Date unknown.

Exhibit L. Photo of pot cover made of woven straw-like material. Date unknown.

Exhibit M. Photo of basket-type pot cover used in the floral industry. Date unknown.

Exhibit N. "Speed Cover®" brochure, published in 1984 by Applicants, showing various pot covers for sale.

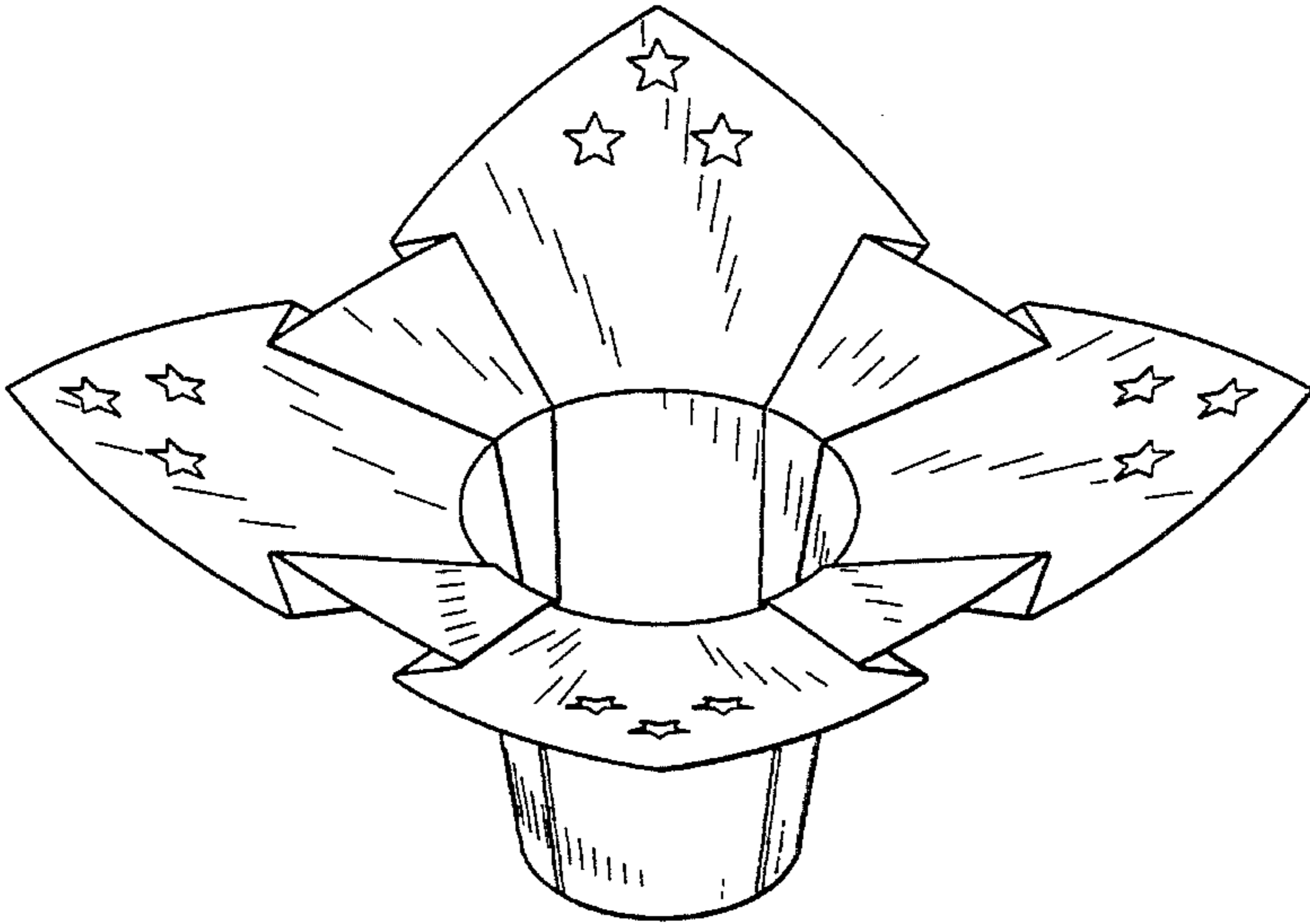


FIG. 1

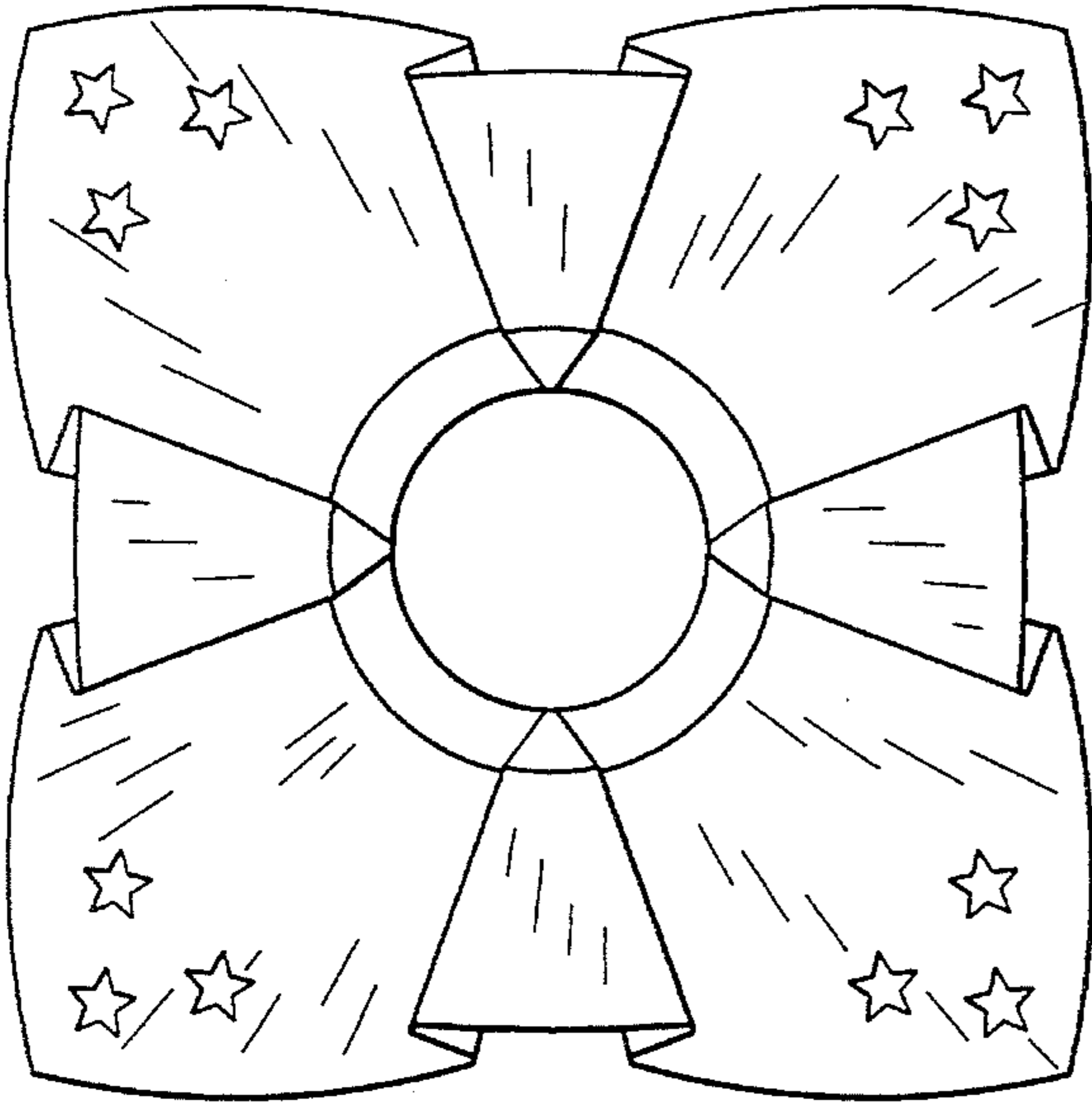


FIG. 2

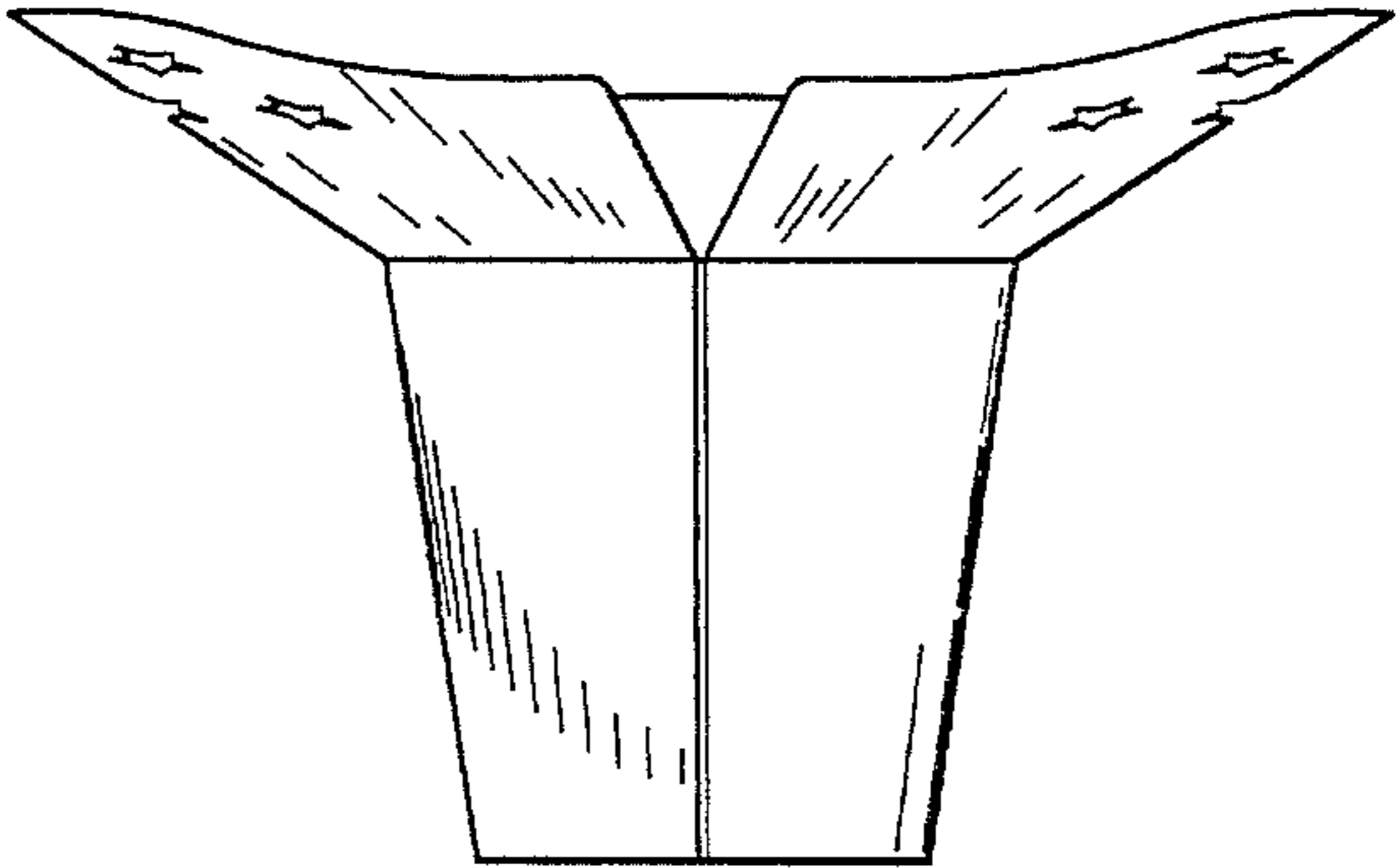


FIG. 3

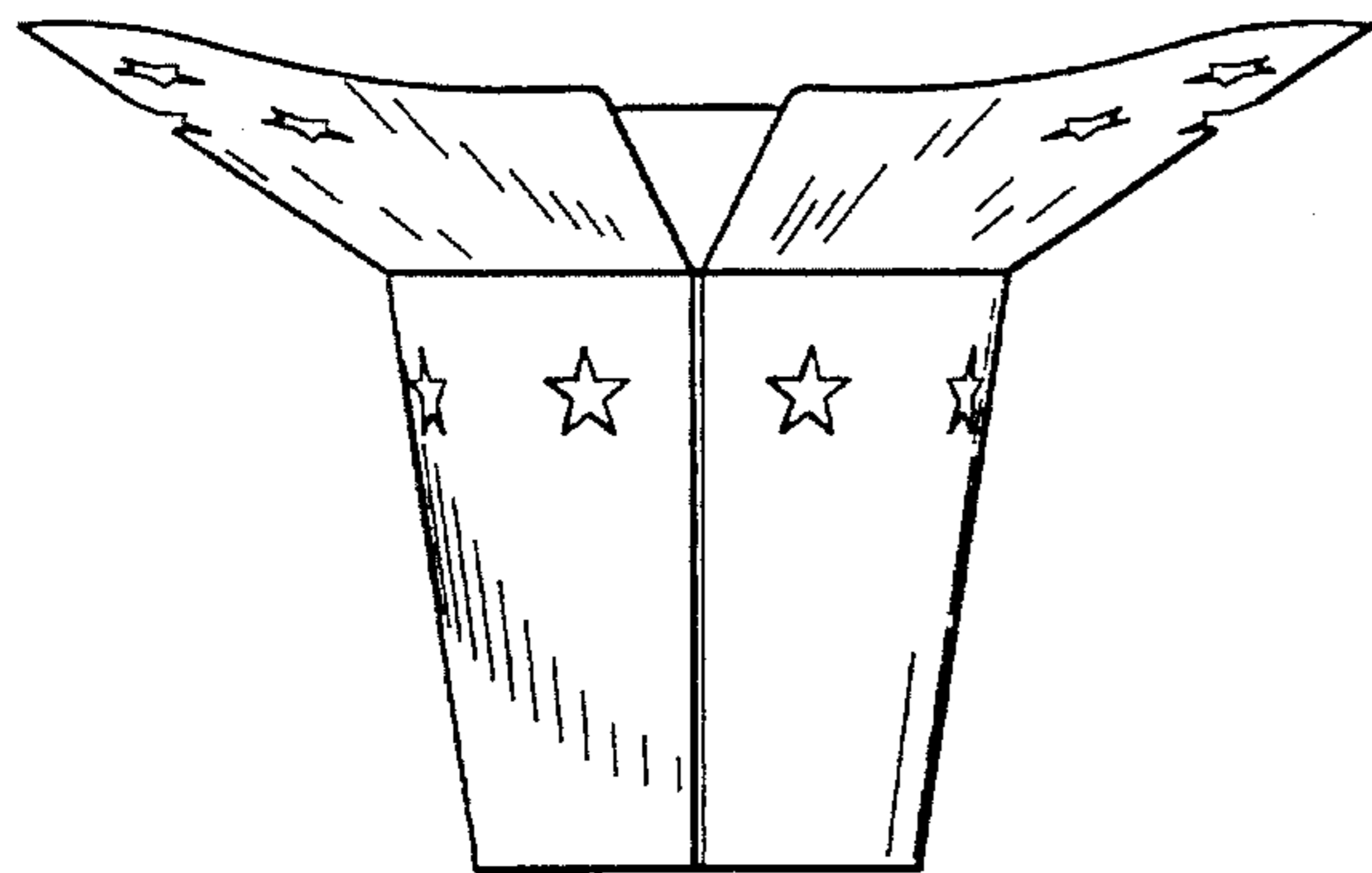


FIG. 4

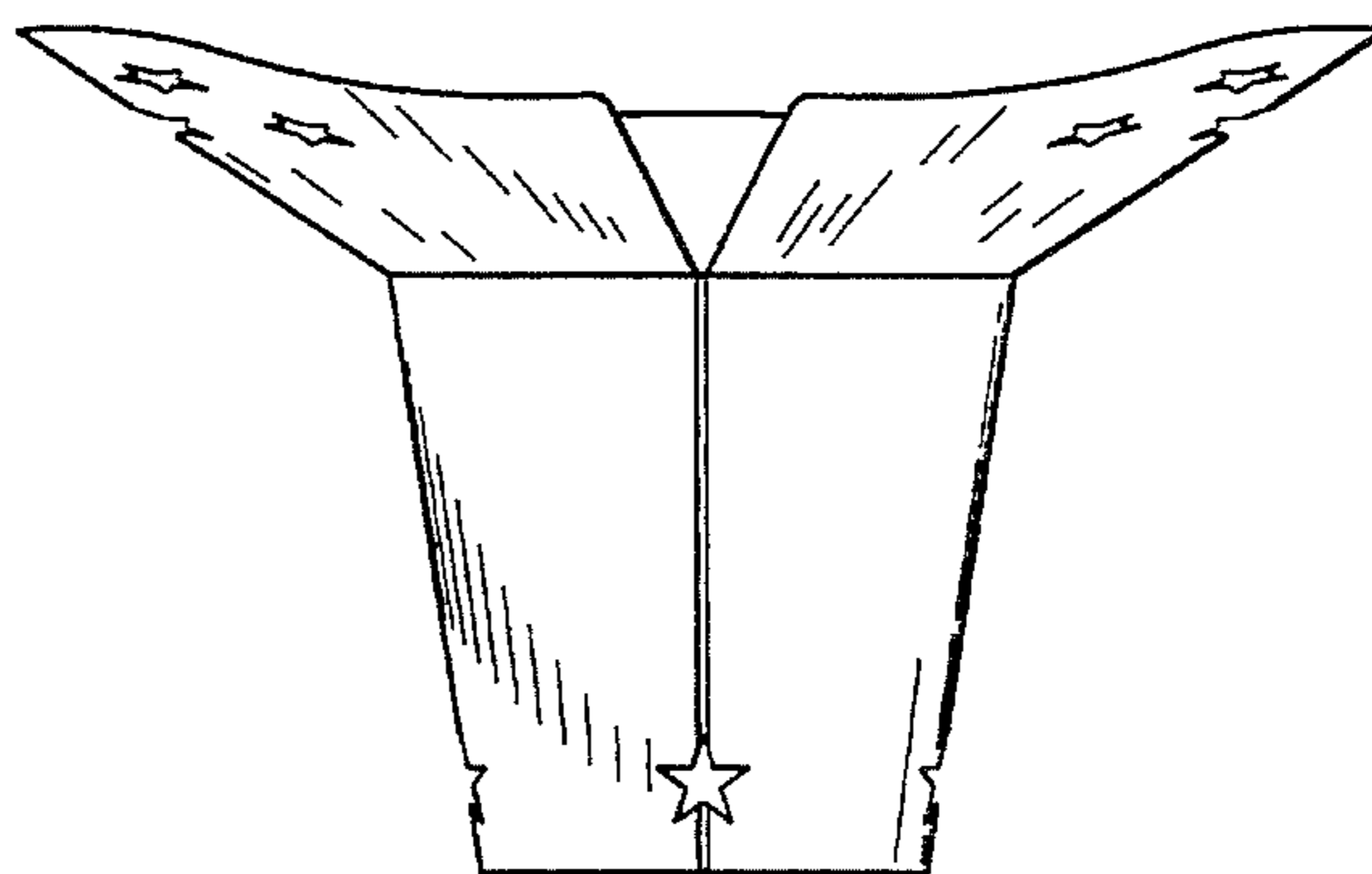


FIG. 5

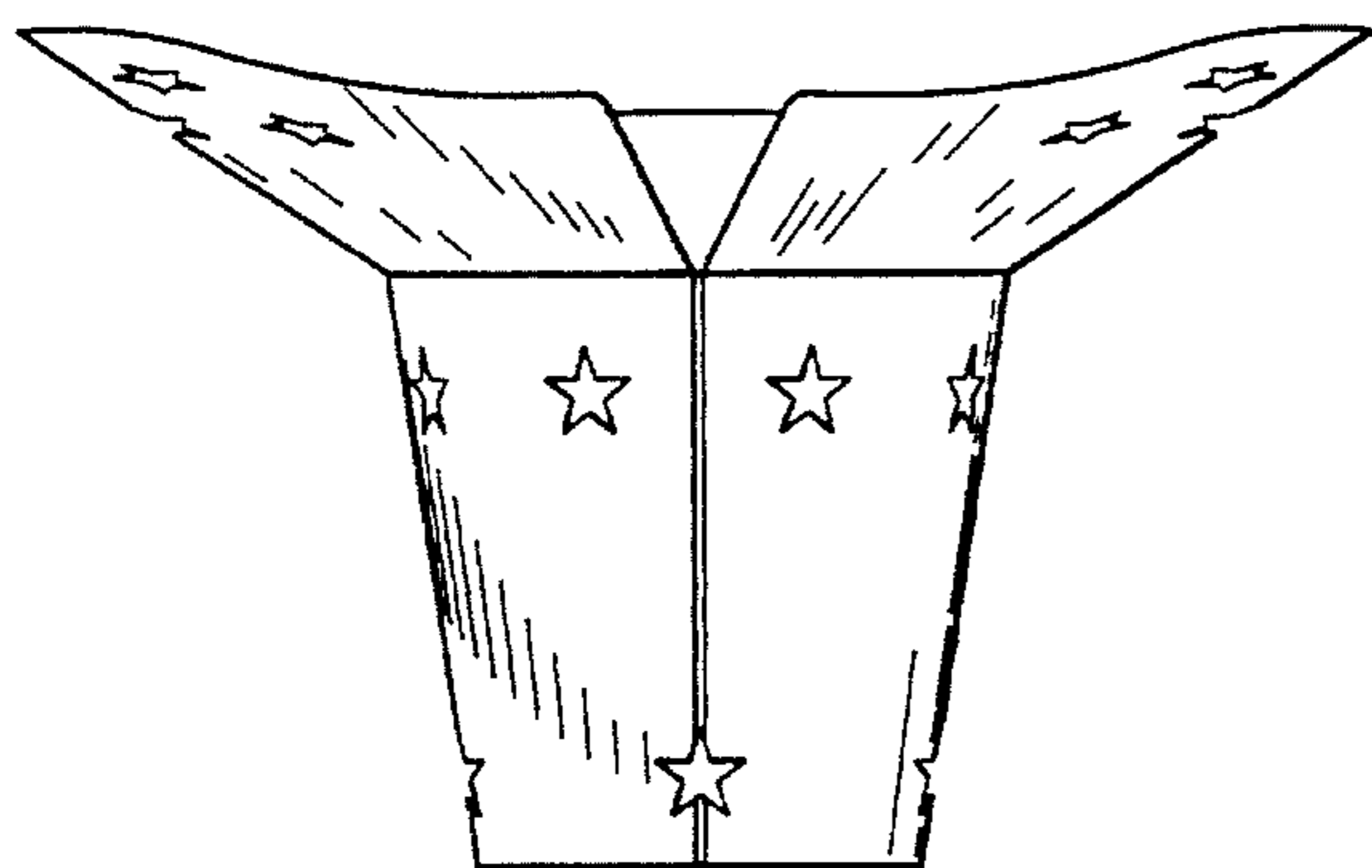


FIG. 6

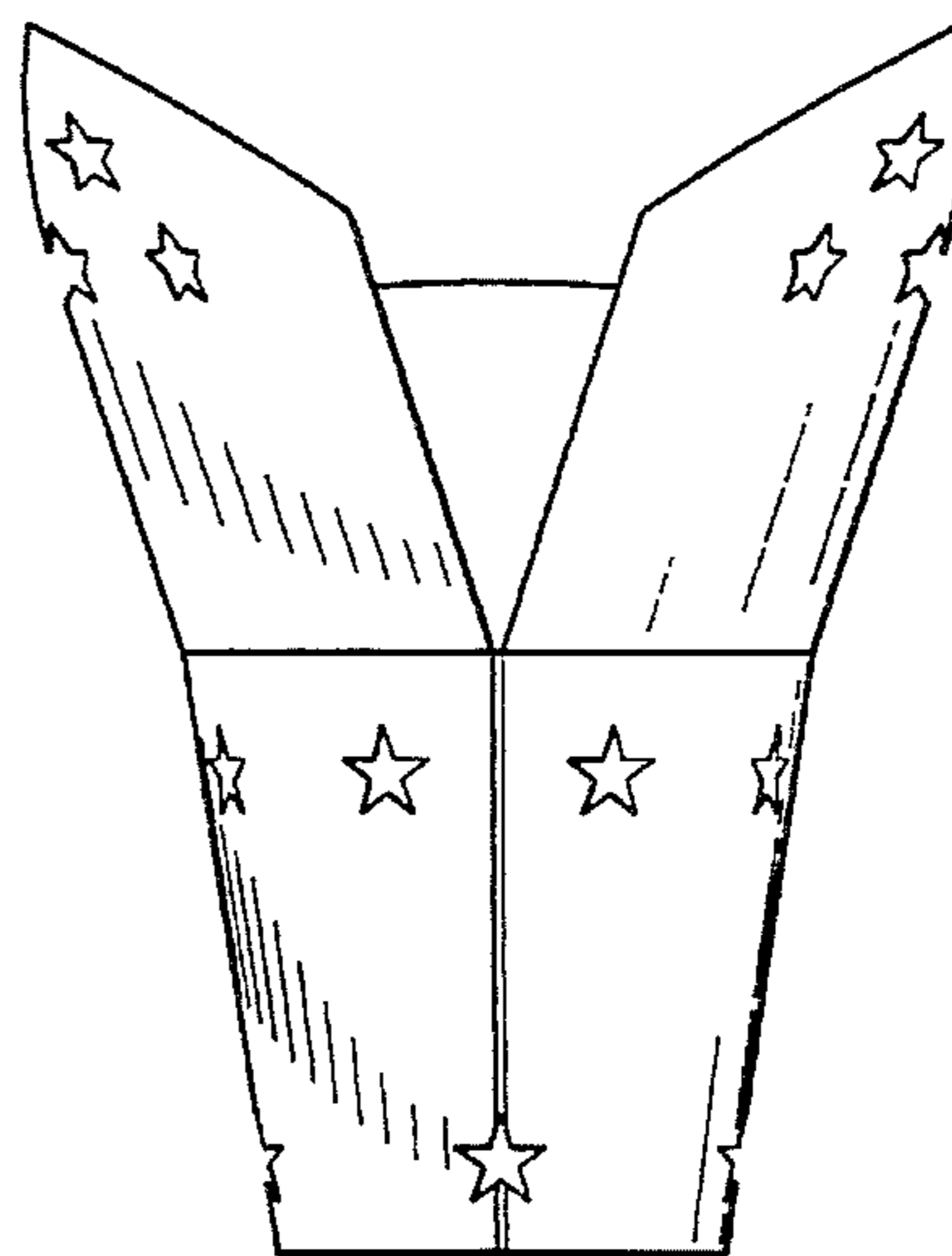


FIG. 7

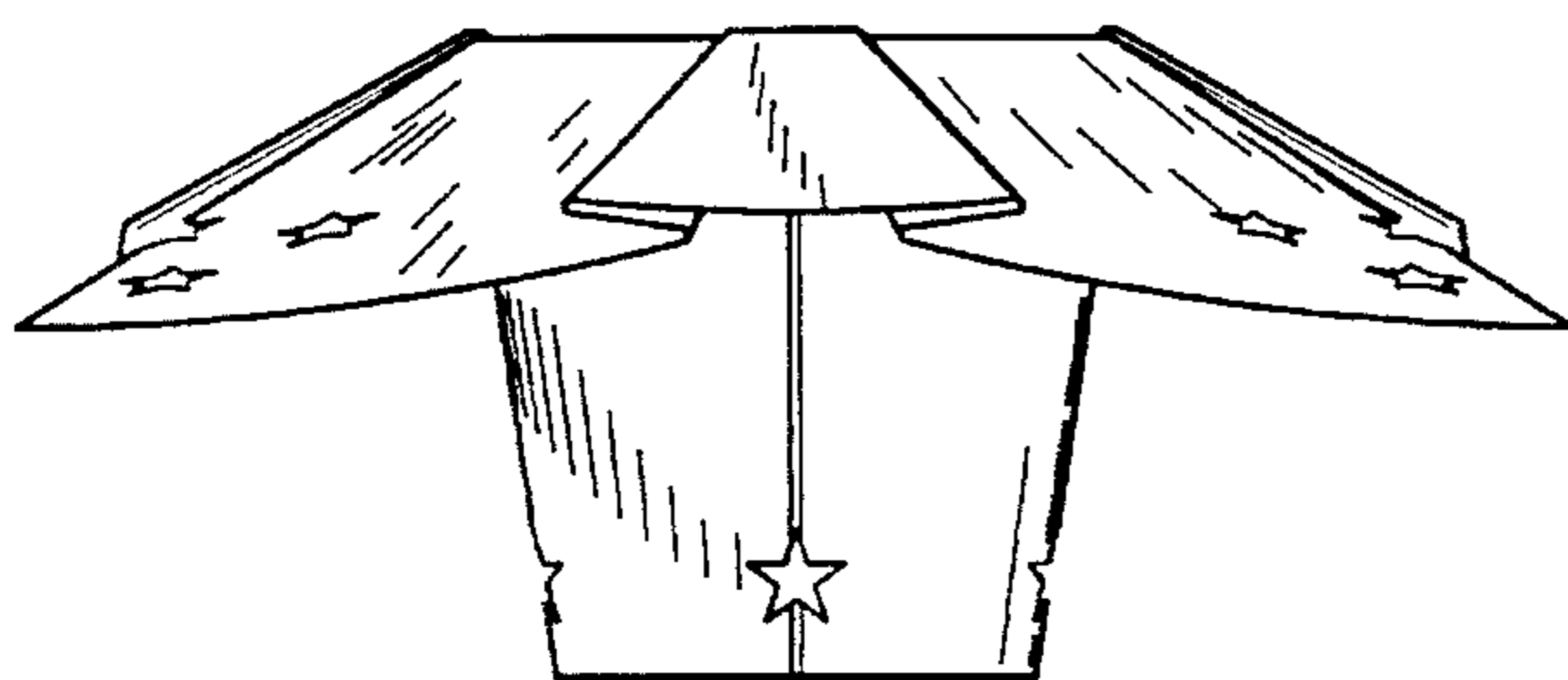


FIG. 8

UNITED STATES PATENT AND TRADEMARK OFFICE
CERTIFICATE OF CORRECTION

PATENT NO. : Des. 362,825
DATED : October 3, 1995
INVENTOR(S) : Donald E. Weder et al.

It is certified that error appears in the above-identified patent and that said Letters Patent is hereby corrected as shown below:

On the title page: Item [63]

under Related U.S. Application Data,
line 2, please delete "abandoned".

Page 2, under OTHER PUBLICATIONS, Exhibit E, please
delete "floral", and substitute therfor --Floral--.

Signed and Sealed this
Ninth Day of January, 1996

Attest:



BRUCE LEHMAN

Attesting Officer

Commissioner of Patents and Trademarks