



US00D362819S

United States Patent [19]

[11] **Patent Number:** **Des. 362,819**

Stannard

[45] **Date of Patent:** ****Oct. 3, 1995**

[54] **GOLF BALL WINDCHIME**

Primary Examiner—A. Hugo Word

[76] Inventor: **John W. Stannard**, 611 Commerce Dr.,
Largo, Fla. 34640

Assistant Examiner—Marcus Jackson

Attorney, Agent, or Firm—Joseph C. Mason, Jr.; Ronald E. Smith

[**] Term: **14 Years**

[57] **CLAIM**

[21] Appl. No.: **31,811**

The ornamental design for golf ball windchime, as shown and described.

[22] Filed: **Dec. 5, 1994**

[52] U.S. Cl. **D10/116**; D11/141; D17/99

DESCRIPTION

[58] **Field of Search** D10/116, 118,
D10/121; D21/214, 234, 204; D11/141;
D17/99; 116/148, 150, 155, 156

FIG. 1 is a perspective view of my new design;

FIG. 2 is a front elevational view thereof;

FIG. 3 is a rear elevational view thereof;

FIG. 4 is a left side elevational view thereof;

FIG. 5 is a right side elevational view thereof;

FIG. 6 is a top plan view thereof; and,

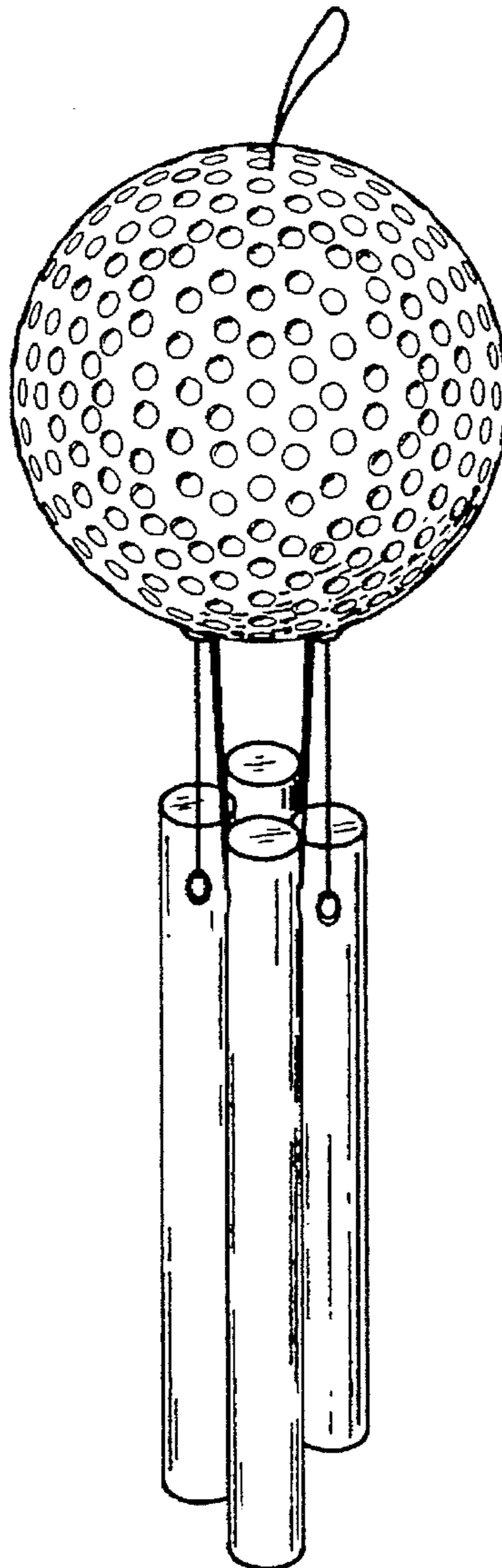
FIG. 7 is a bottom plan view thereof.

[56] **References Cited**

U.S. PATENT DOCUMENTS

D. 285,669	9/1986	Brockmann	D11/141
D. 324,000	2/1992	Kirstad	D11/141
D. 329,485	9/1992	Hollinger	D21/234
D. 349,937	8/1994	Hill	D21/234

1 Claim, 2 Drawing Sheets



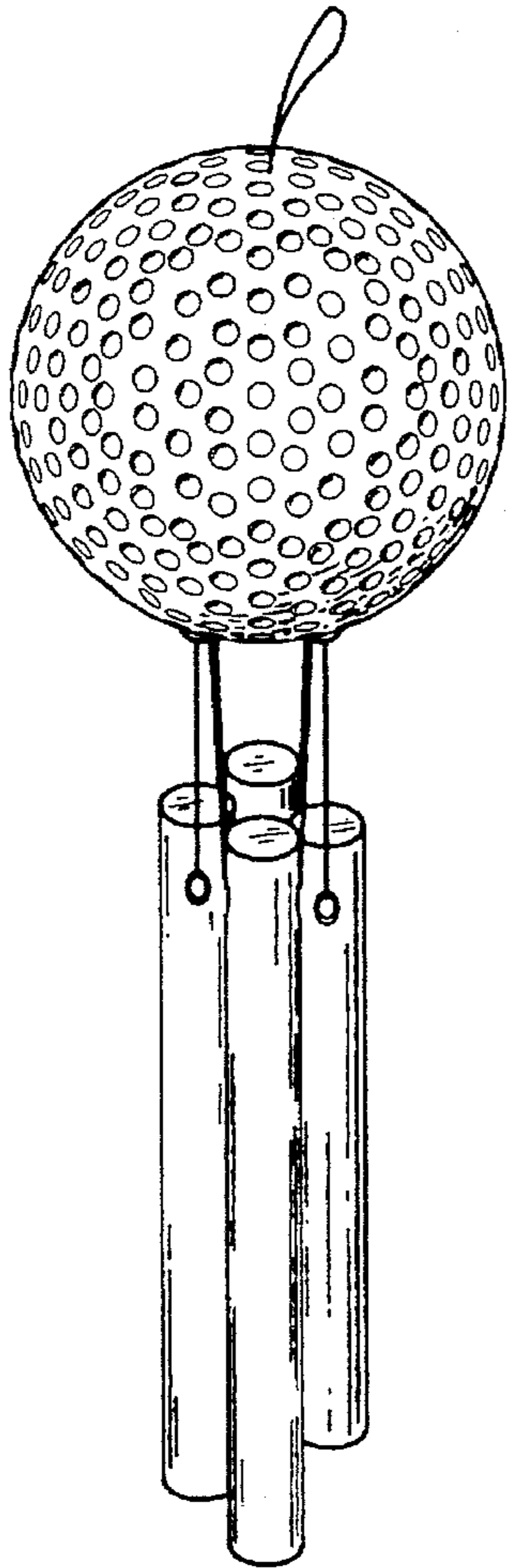


Fig. 1

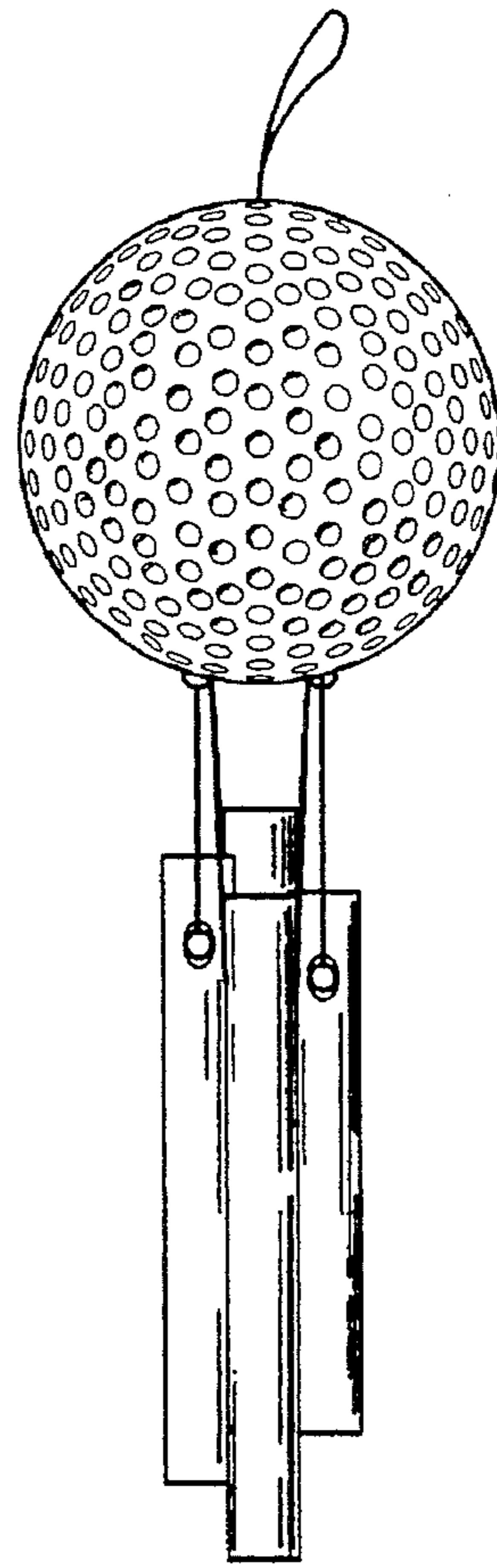


Fig. 2

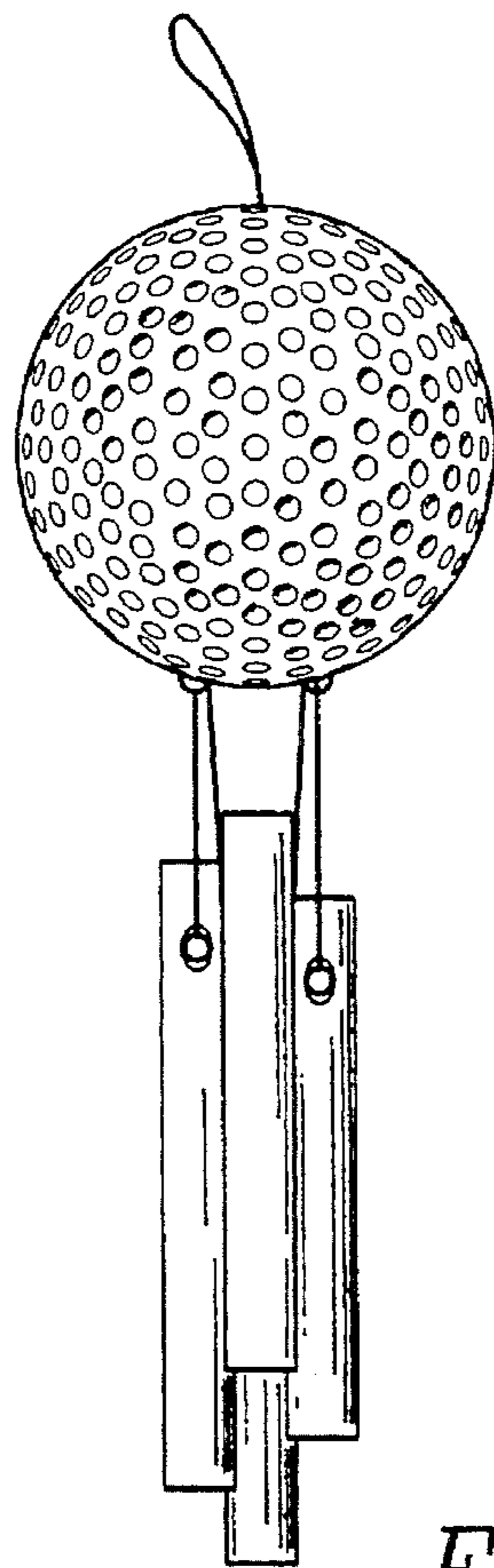


Fig. 3

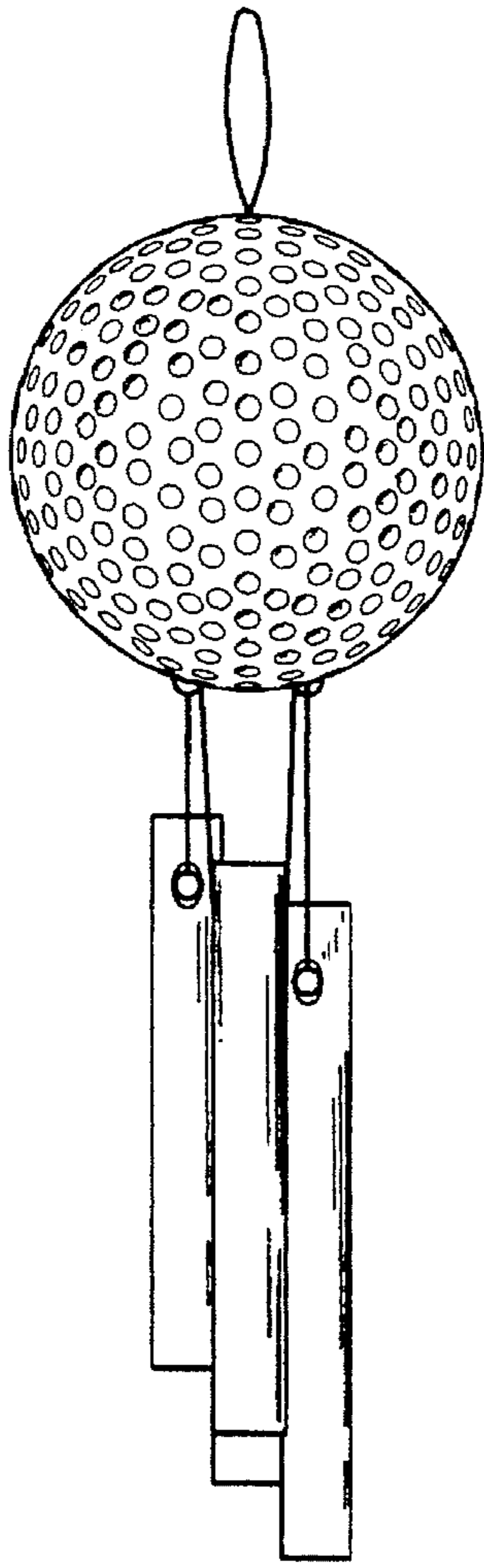


Fig. 4

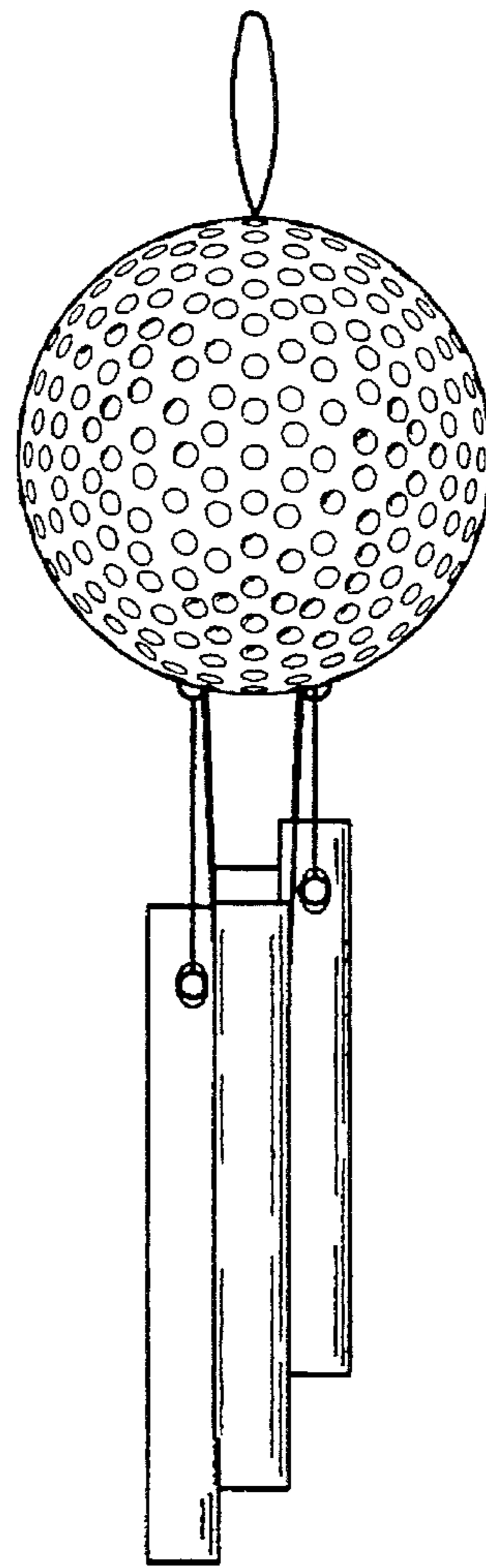


Fig. 5

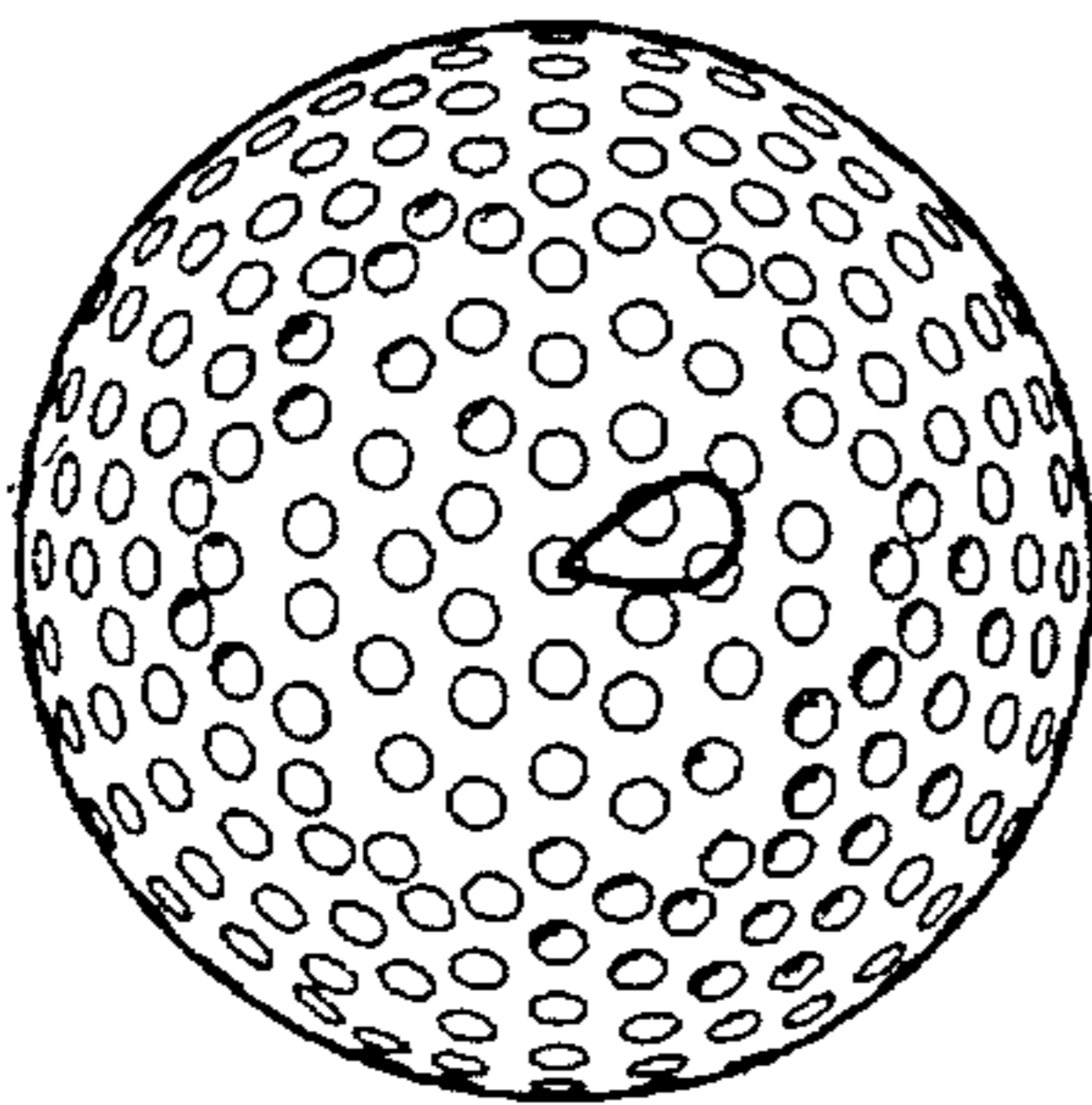


Fig. 6

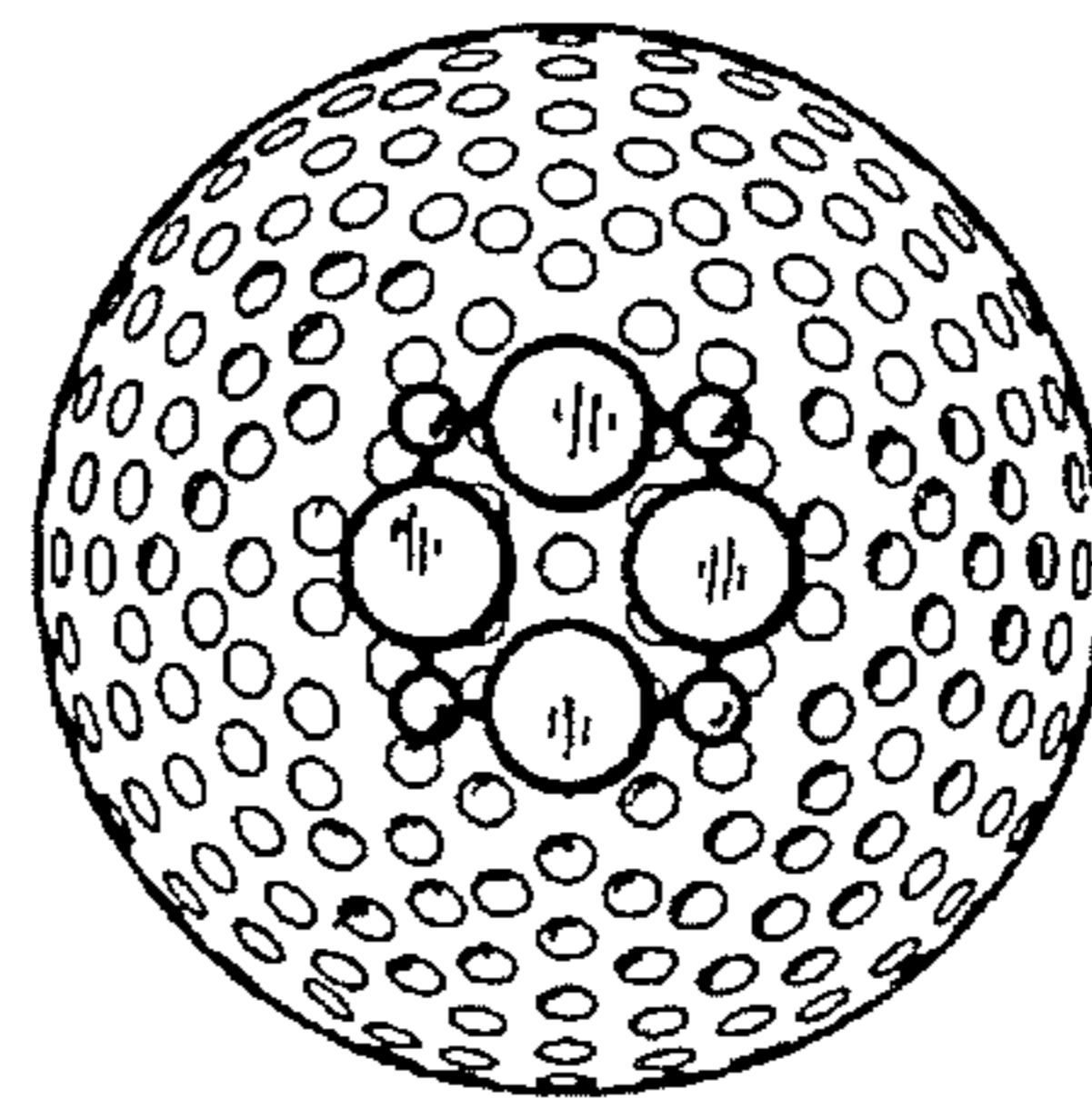


Fig. 7