



US00D362814S

United States Patent [19]
Cheveldayoff et al.

[11] **Patent Number:** **Des. 362,814**
[45] **Date of Patent:** ****Oct. 3, 1995**

[54] **LAWN WATERING DEVICE**

5,125,268 6/1992 Caron 73/171

[76] Inventors: **Leslie K. Cheveldayoff; Diane M. Cheveldayoff**, both of 1704 NE. 27th St., Wilton Manors, Fla. 33334

Primary Examiner—Antoine Duval Davis
Attorney, Agent, or Firm—James A. Hudak

[**] Term: **14 Years**

[57] **CLAIM**

The ornamental design for a lawn watering device, as shown and described.

[21] Appl. No.: **28,597**

DESCRIPTION

[22] Filed: **Sep.-26, 1994**

[52] U.S. Cl. **D10/101**

[58] Field of Search D10/101; 73/170.17, 73/170.18, 170.19, 170.23, 861; 116/227

FIG. 1 is a perspective view of the lawn watering device showing our new design;

FIG. 2 is a front elevational view thereof;

FIG. 3 is a rear elevational view thereof;

FIG. 4 is a left side elevational view thereof;

FIG. 5 is a right side elevational view thereof;

FIG. 6 is a top plan view thereof; and,

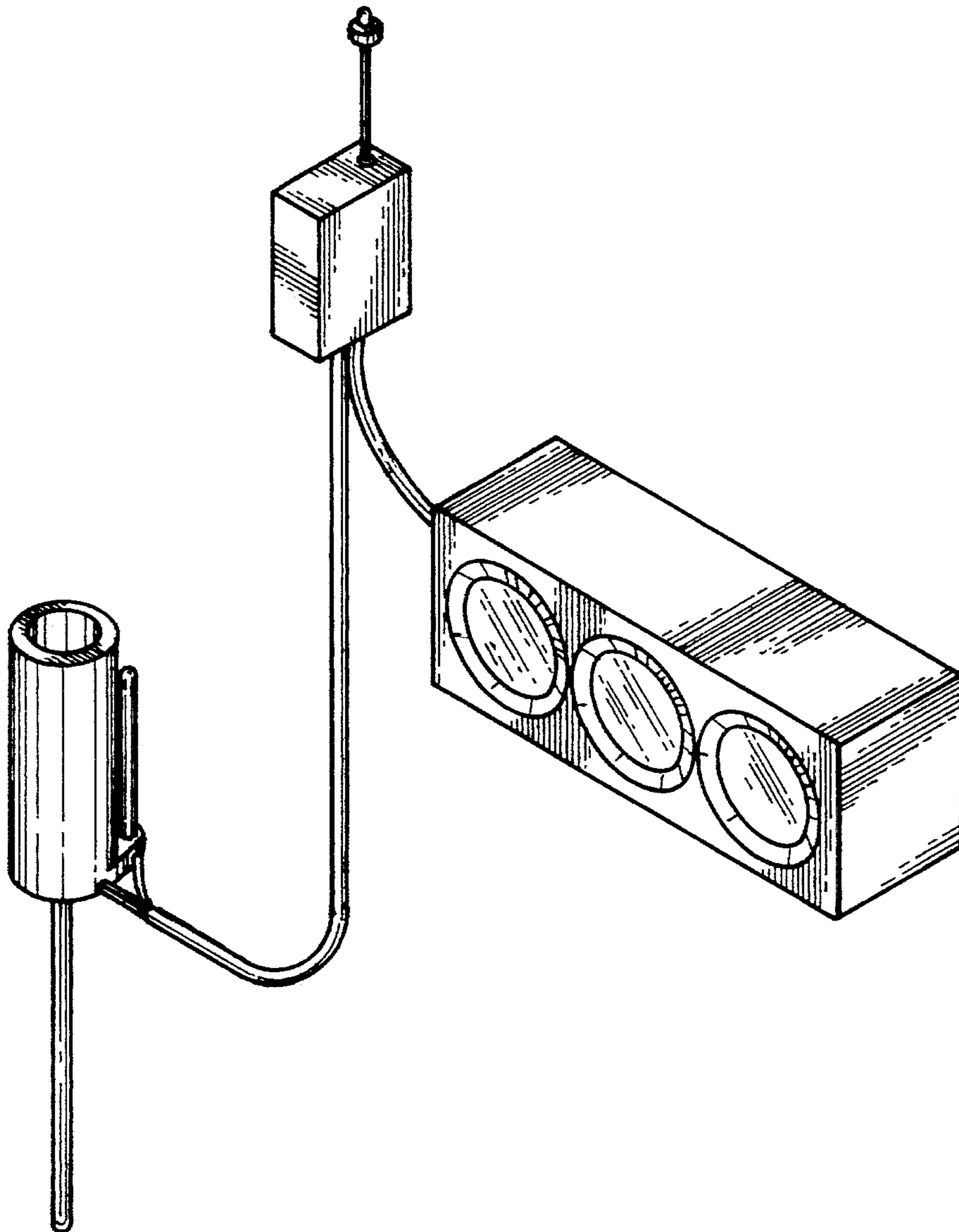
FIG. 7 is a bottom plan view thereof.

[56] **References Cited**

U.S. PATENT DOCUMENTS

D. 337,061	7/1993	Haggett	D10/101 X
3,485,096	12/1969	Miller	73/171
3,943,762	3/1976	Baer	73/171
4,712,505	12/1987	Wainwright	116/227

1 Claim, 4 Drawing Sheets



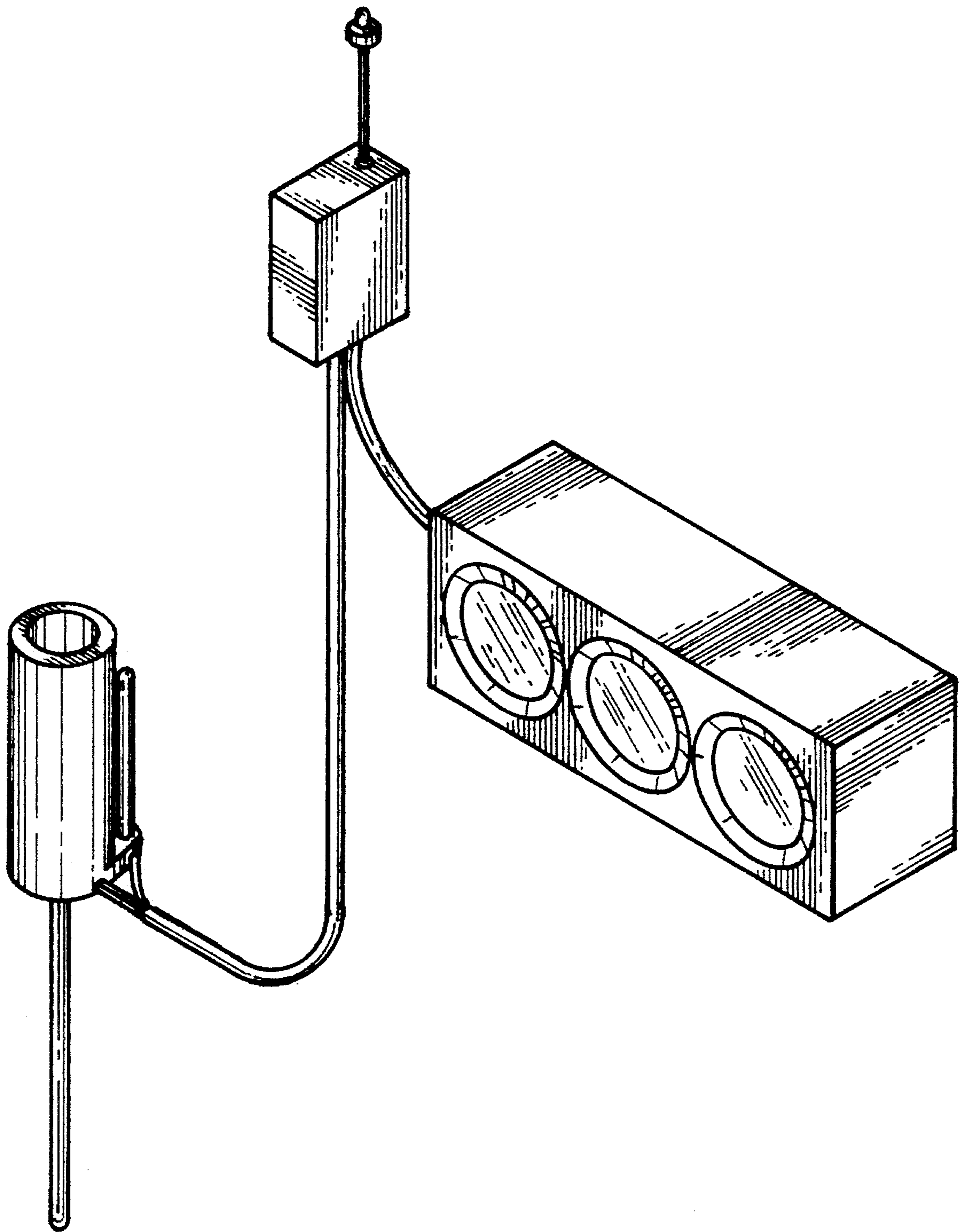


FIG. 1

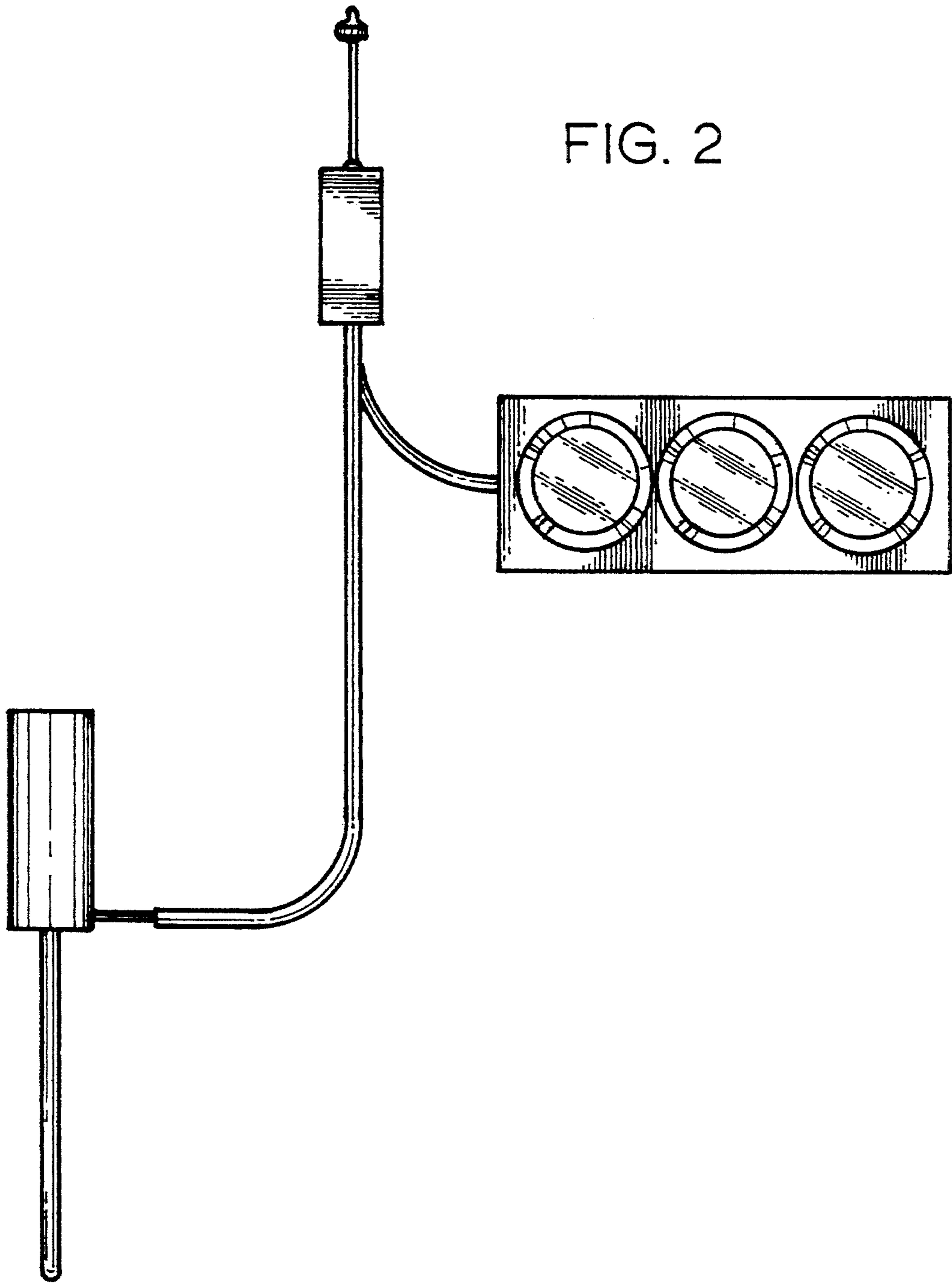


FIG. 6

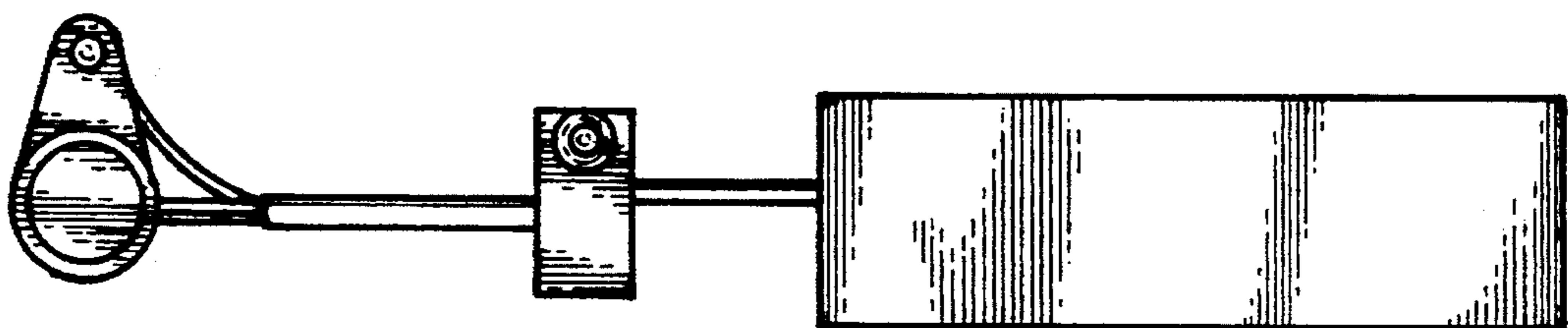


FIG. 3

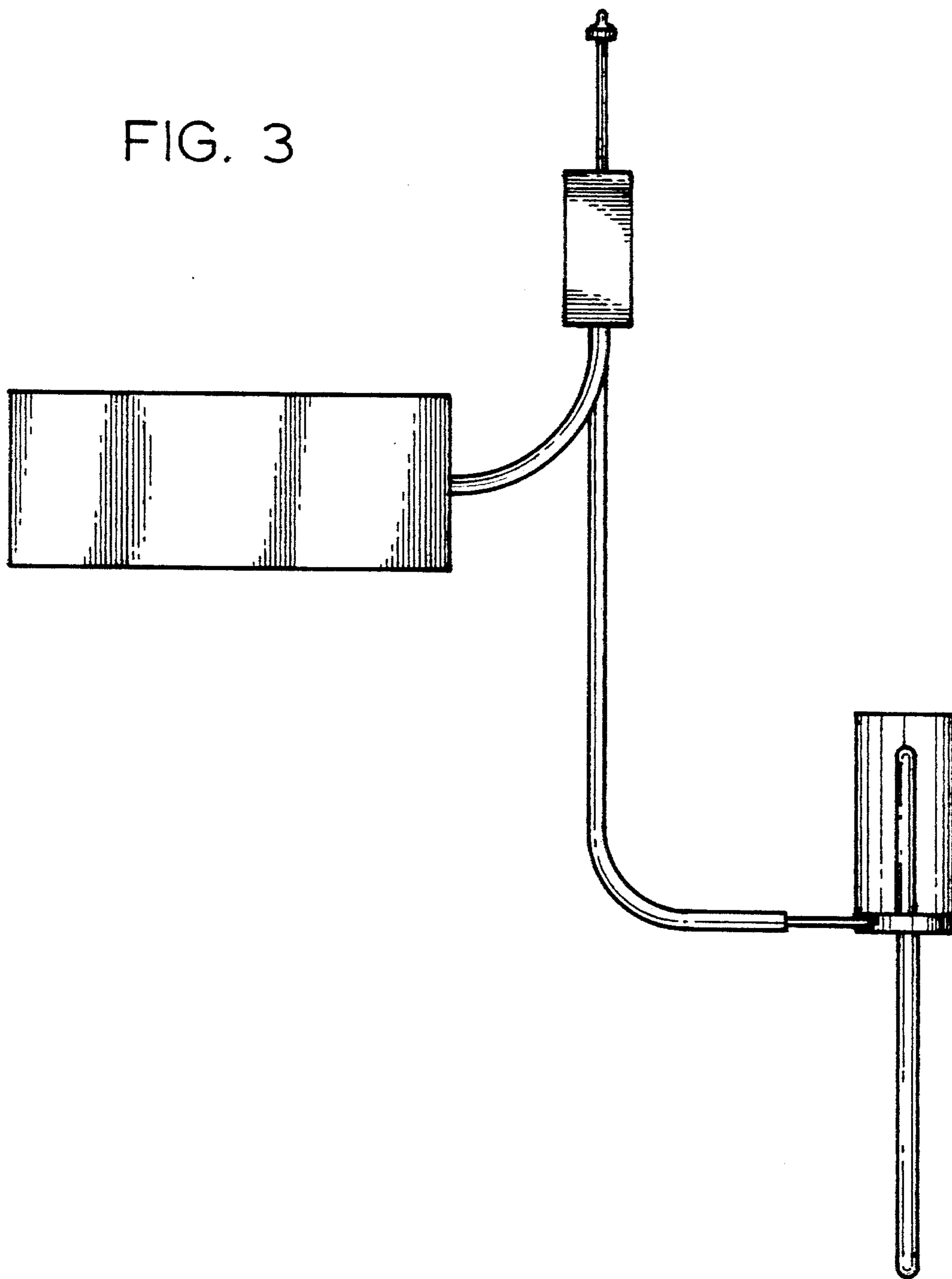
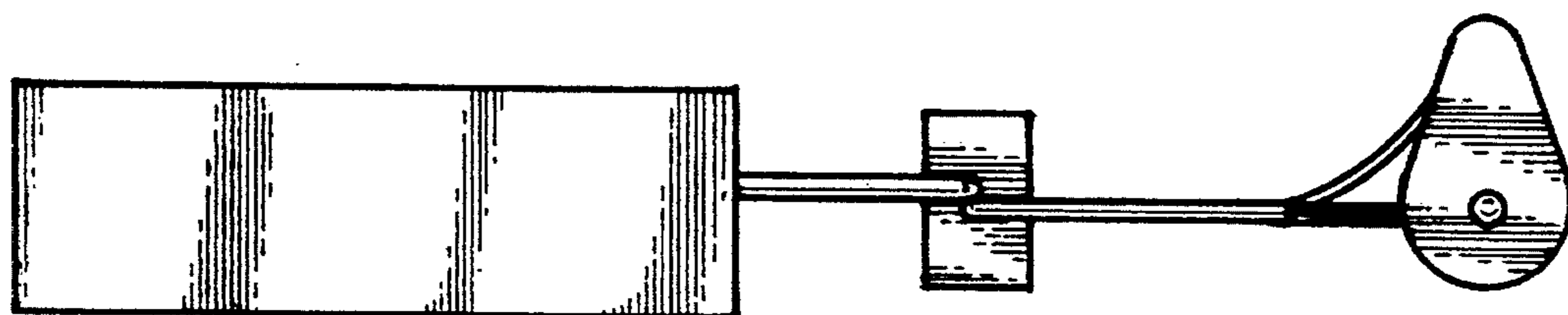


FIG. 7



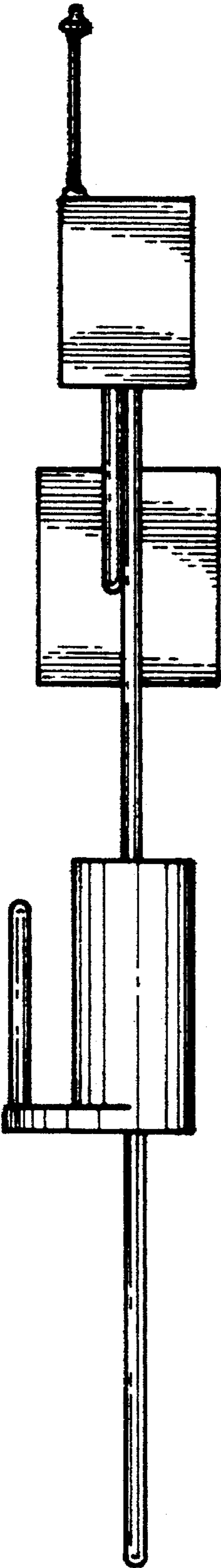


FIG. 4

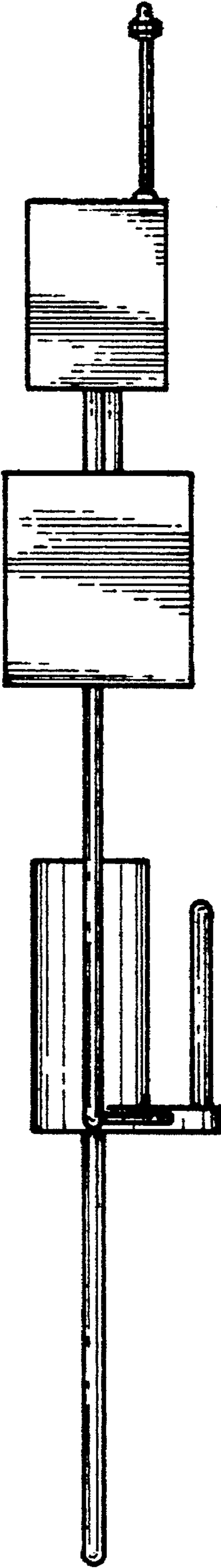


FIG. 5