



US00D362813S

United States Patent [19]

[11] Patent Number: **Des. 362,813**

Ng

[45] Date of Patent: ****Oct. 3, 1995**

[54] AQUARIUM PUMP INDICATOR

[76] Inventor: **Tony T. Ng**, Cheung Wai Industrial Bldg., 2-4/F., 42 Lee Chung Street, Chai Wan, Hong Kong

[**] Term: **14 Years**

[21] Appl. No.: **25,997**

[22] Filed: **Aug. 3, 1994**

[30] Foreign Application Priority Data

Feb. 28, 1994	[GB]	United Kingdom	2037396
[52]	U.S. Cl.		D10/81
[58]	Field of Search	D15/7-9.1; D10/46, D10/52-57, 122, 81; 356/402	

[56] References Cited

U.S. PATENT DOCUMENTS

D. 184,953	4/1959	Morphis	D10/55
D. 247,821	5/1978	Biersch et al.	D10/81
D. 256,567	8/1980	Voss et al.	D10/81
D. 306,449	3/1990	Shannon	D15/8
D. 312,421	11/1990	Trottmann	D10/81
D. 329,617	9/1992	Tinz	D10/52
D. 336,861	6/1993	Nicholas	D10/56
4,922,226	5/1990	Hsieh et al.	D10/57

Primary Examiner—Ralf Seifert
Attorney, Agent, or Firm—Merchant, Gould, Smith, Edell, Welter & Schmidt

[57] CLAIM

The ornamental design for an aquarium pump indicator, as shown and described.

DESCRIPTION

FIG. 1 is a front perspective view, showing the cover in a first position, of an aquarium pump indicator according to the new design;

FIG. 2 is a top plan view thereof;

FIG. 3 is a front elevational view thereof;

FIG. 4 is a rear elevational view thereof;

FIG. 5 is a bottom plan view thereof;

FIG. 6 is a left side elevational view thereof;

FIG. 7 is a right side elevational view thereof;

FIG. 8 is a front perspective view, showing the cover in a second position, of the aquarium pump indicator shown in FIG. 1;

FIG. 9 is a front elevational view thereof with the cover in the second position;

FIG. 10 is a bottom plan view thereof with the cover in the second position;

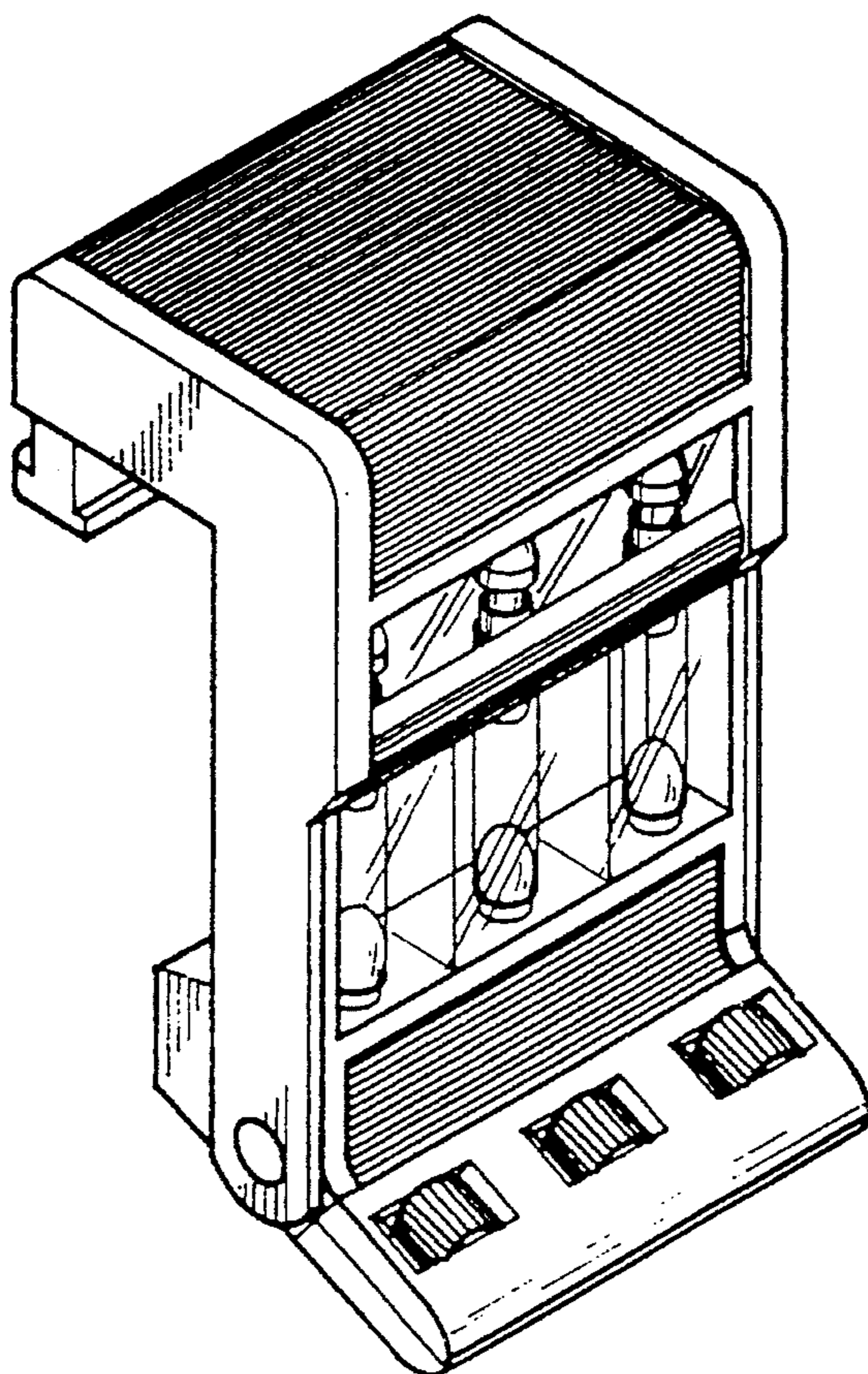
FIG. 11 is a top plan view thereof with the cover in the second position;

FIG. 12 is a rear elevational view thereof with the cover in the second position;

FIG. 13 is a left side elevational view thereof with the cover in the second position; and,

FIG. 14 is a right side elevational view thereof with the cover in the second position.

1 Claim, 8 Drawing Sheets



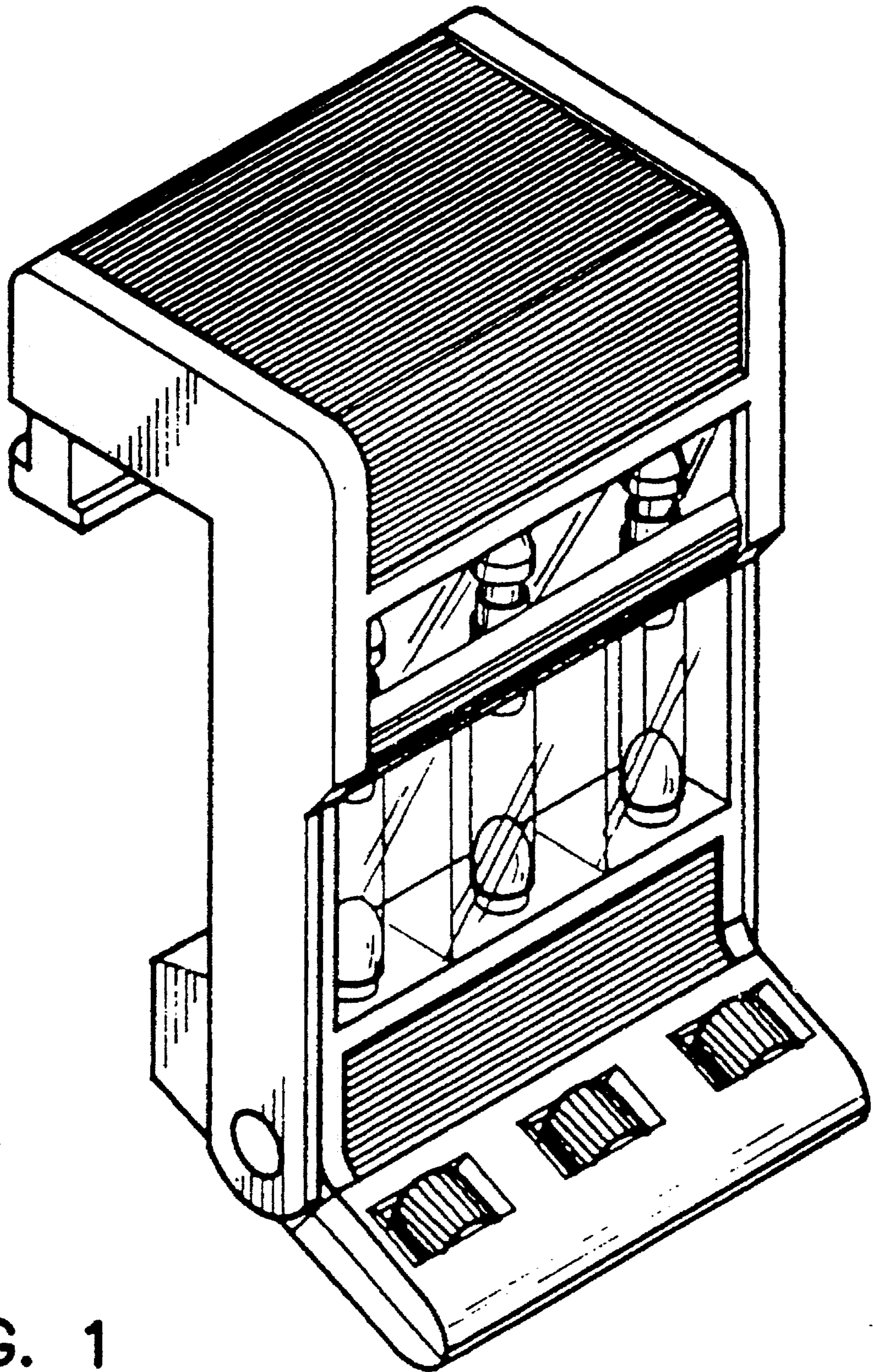


FIG. 1

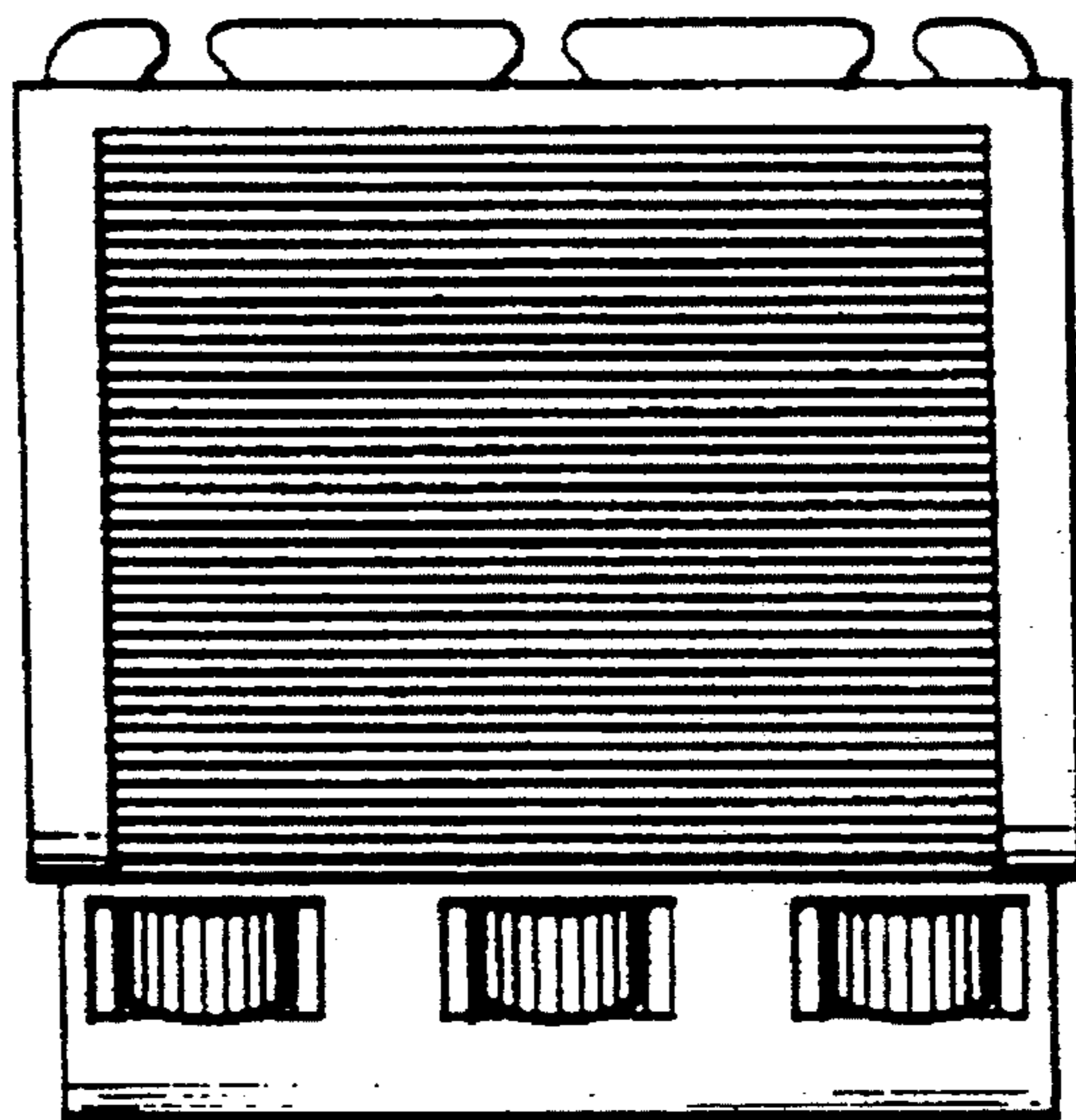


FIG. 2

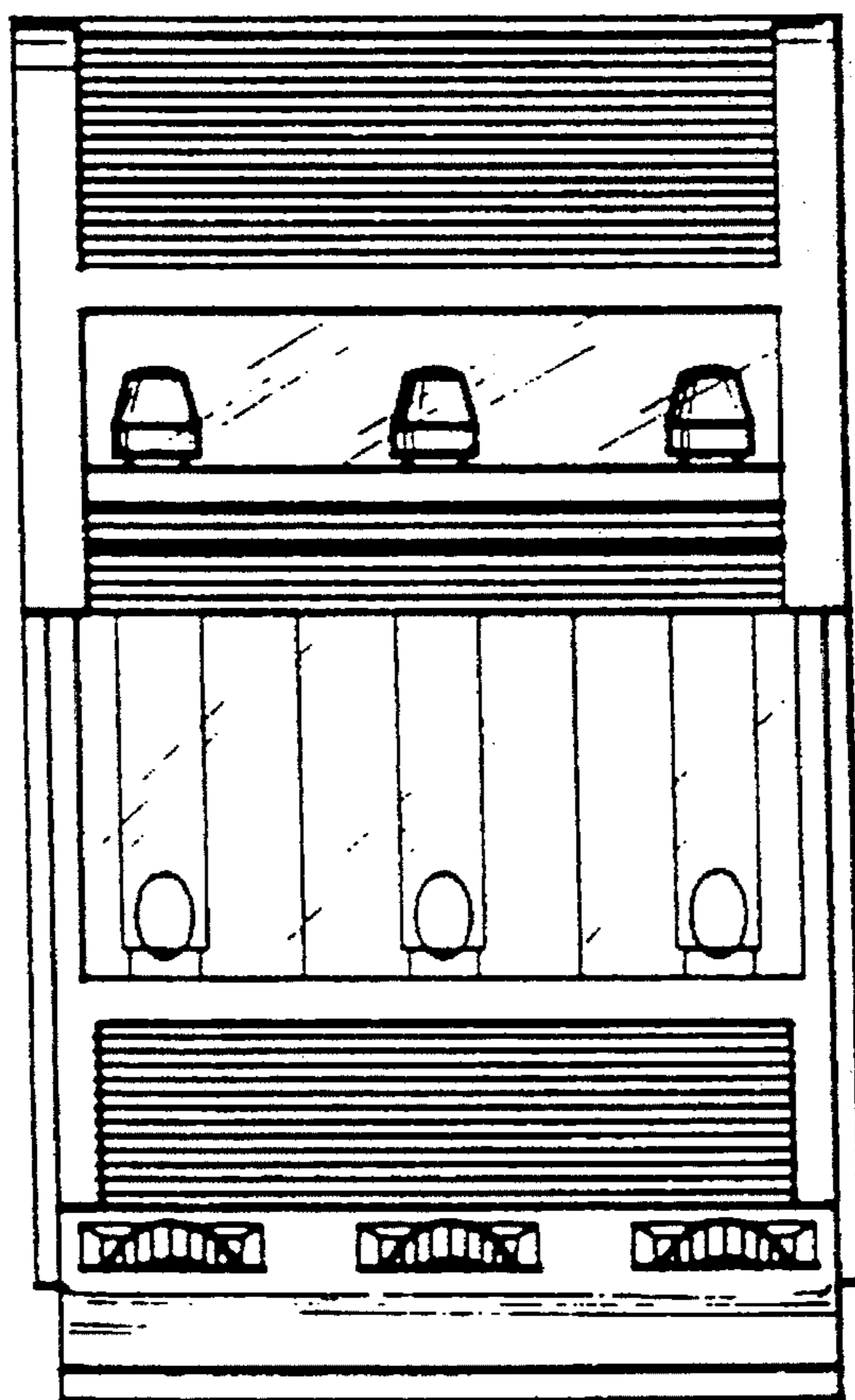


FIG. 3

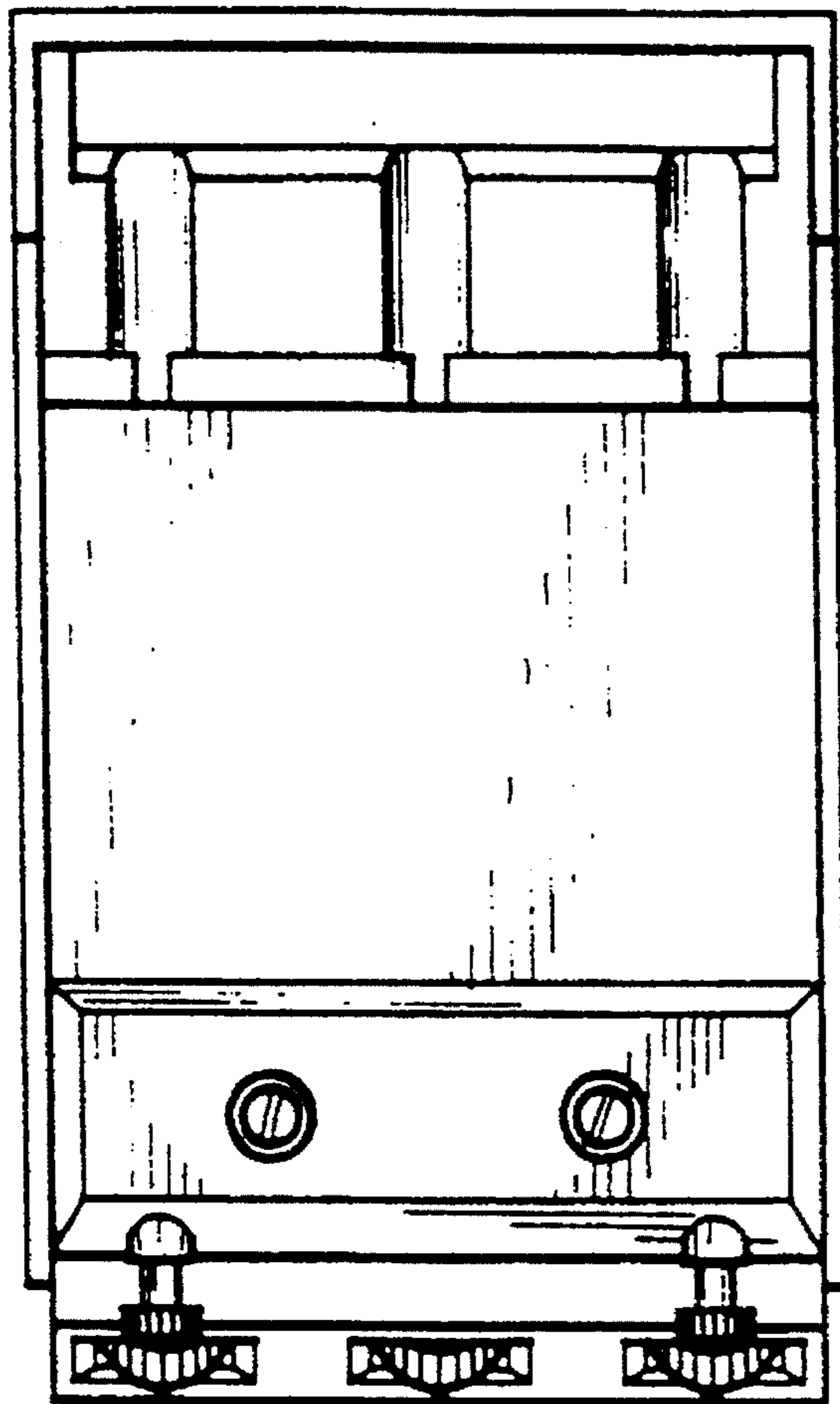


FIG. 4

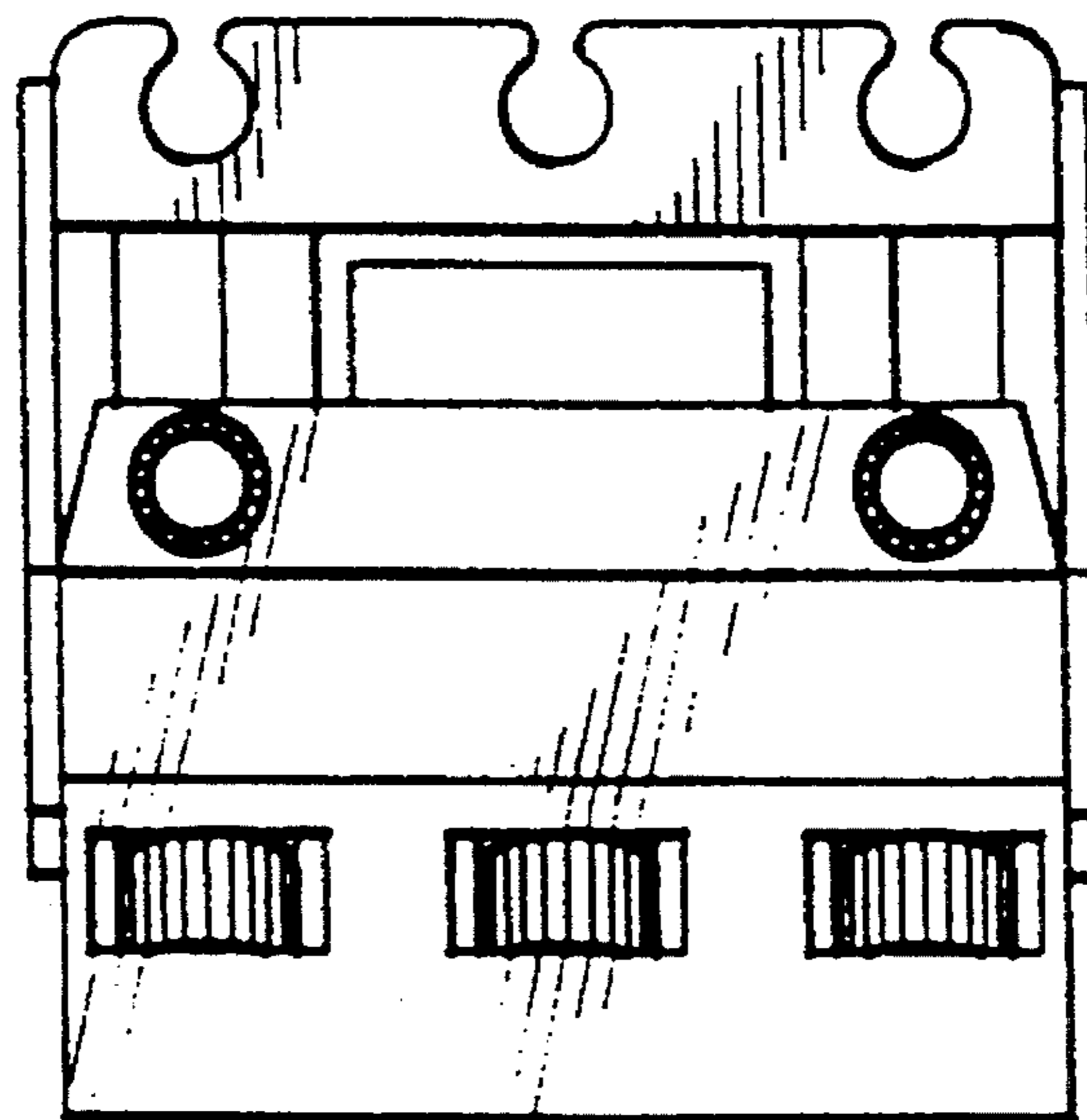


FIG. 5

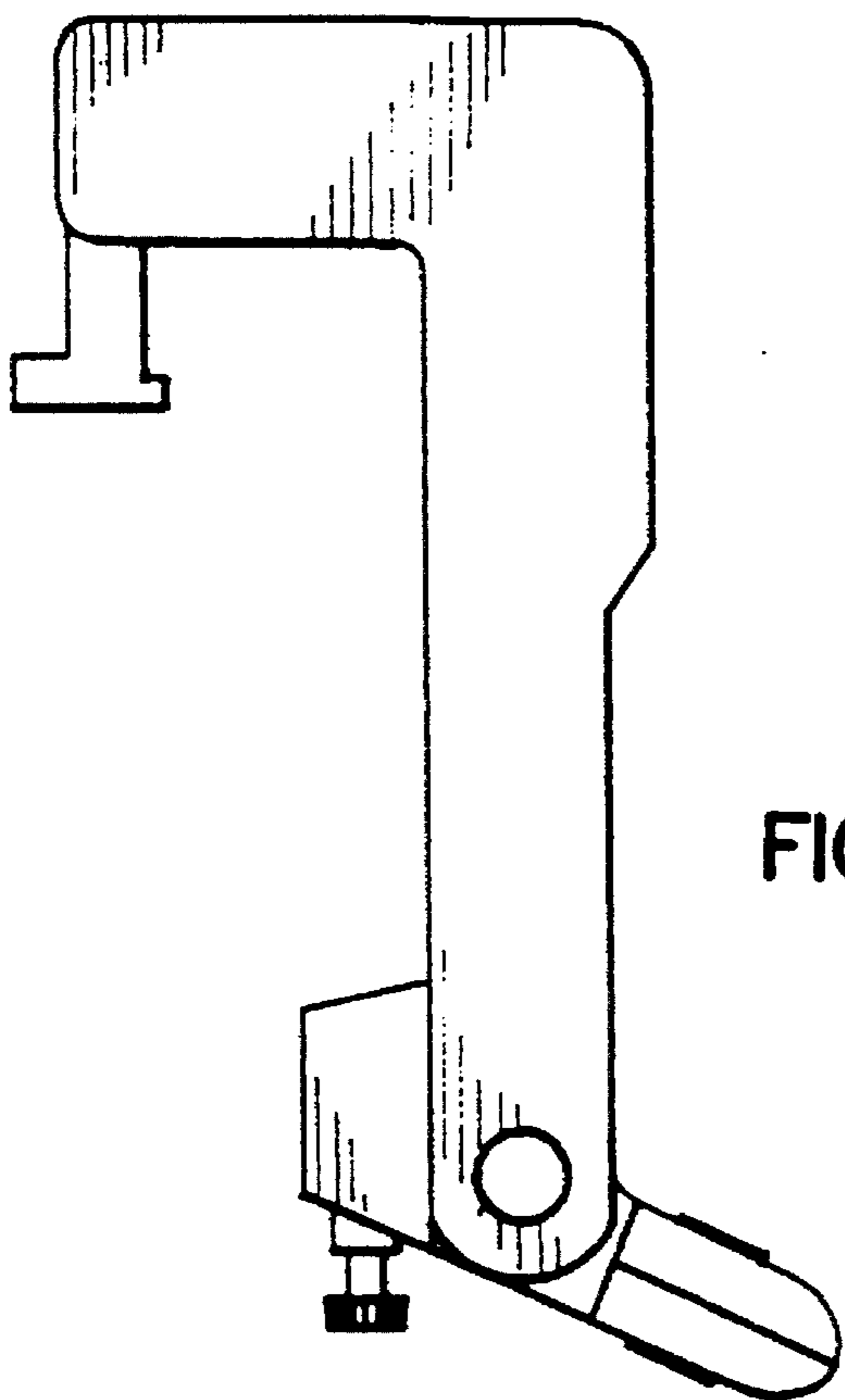


FIG. 6

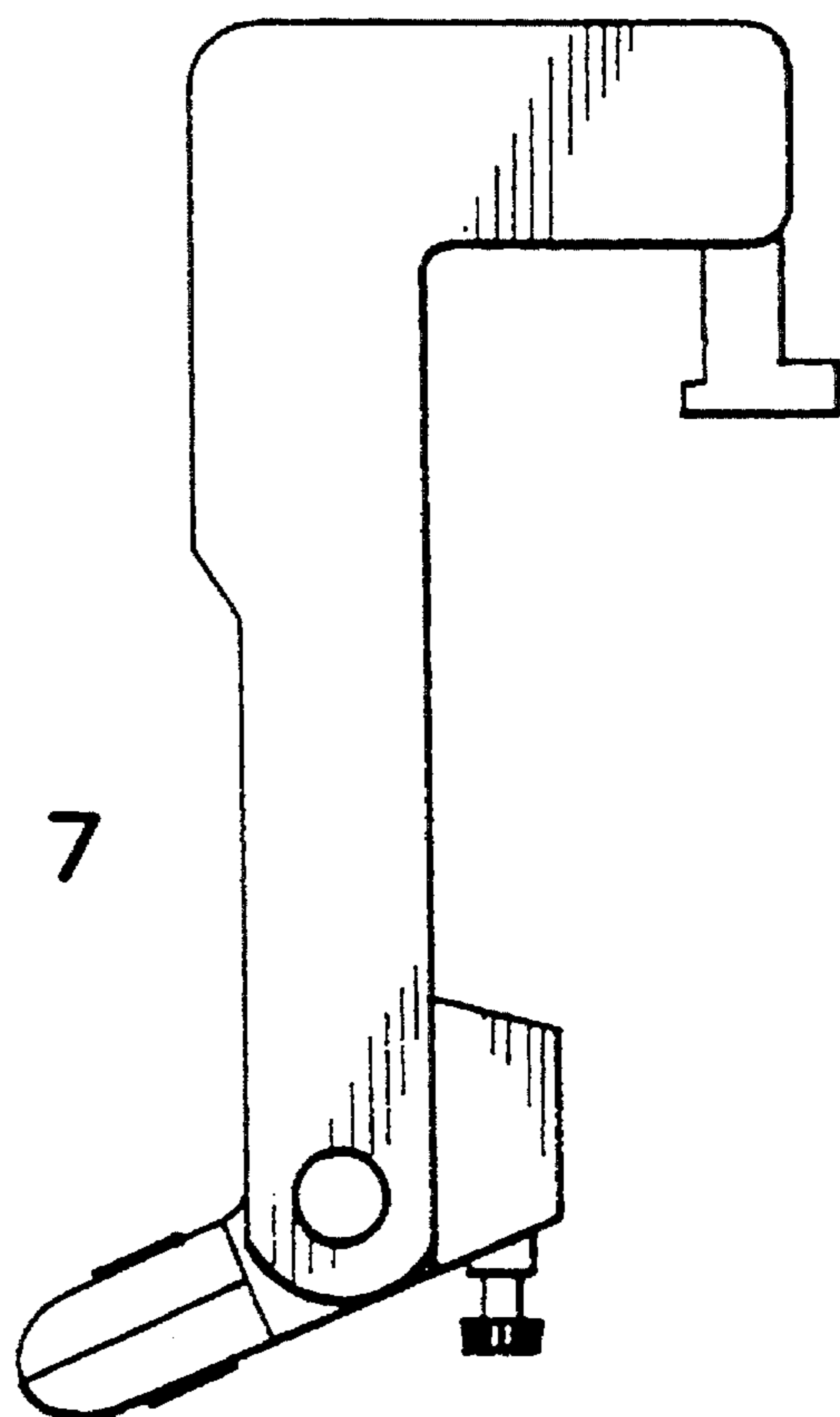


FIG. 7

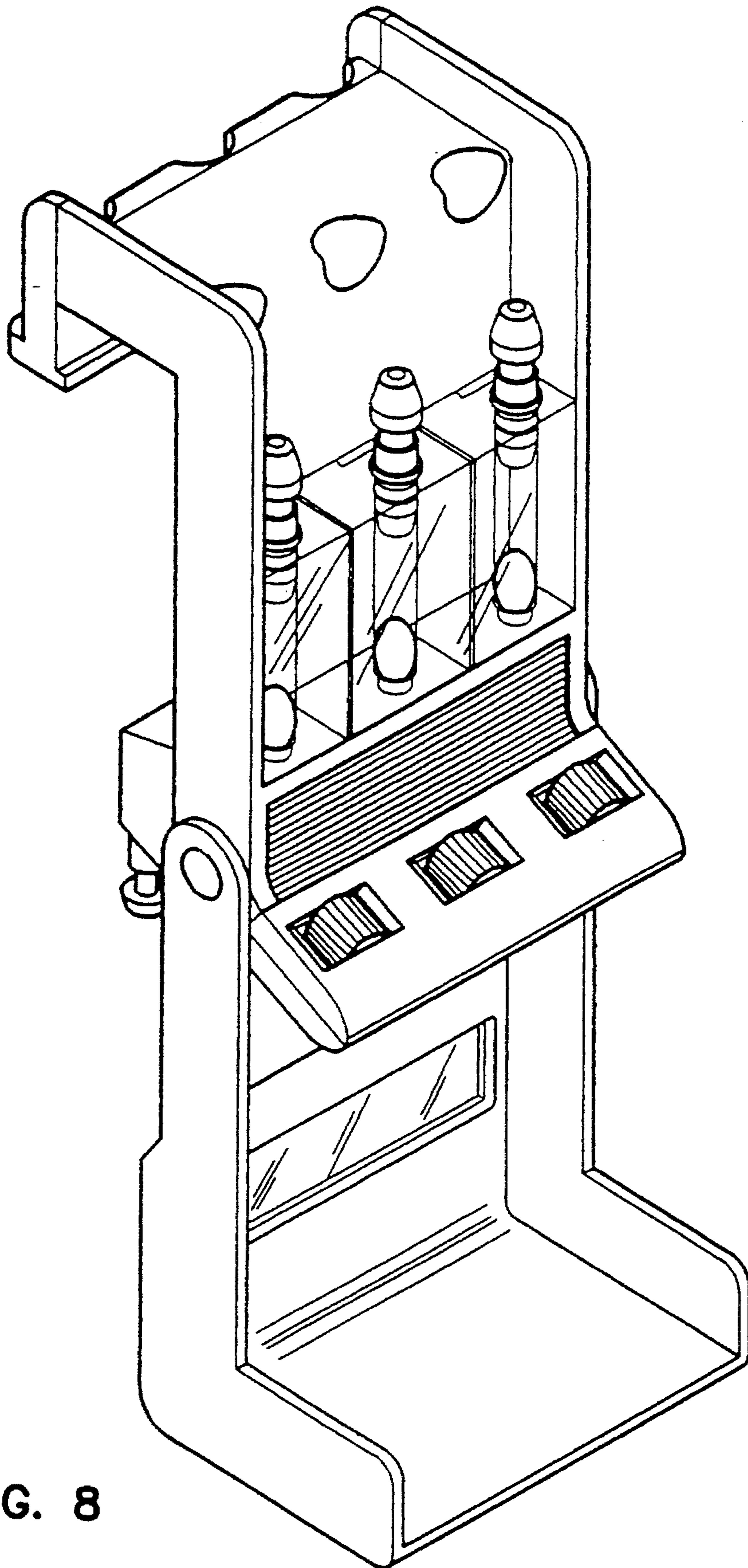


FIG. 8

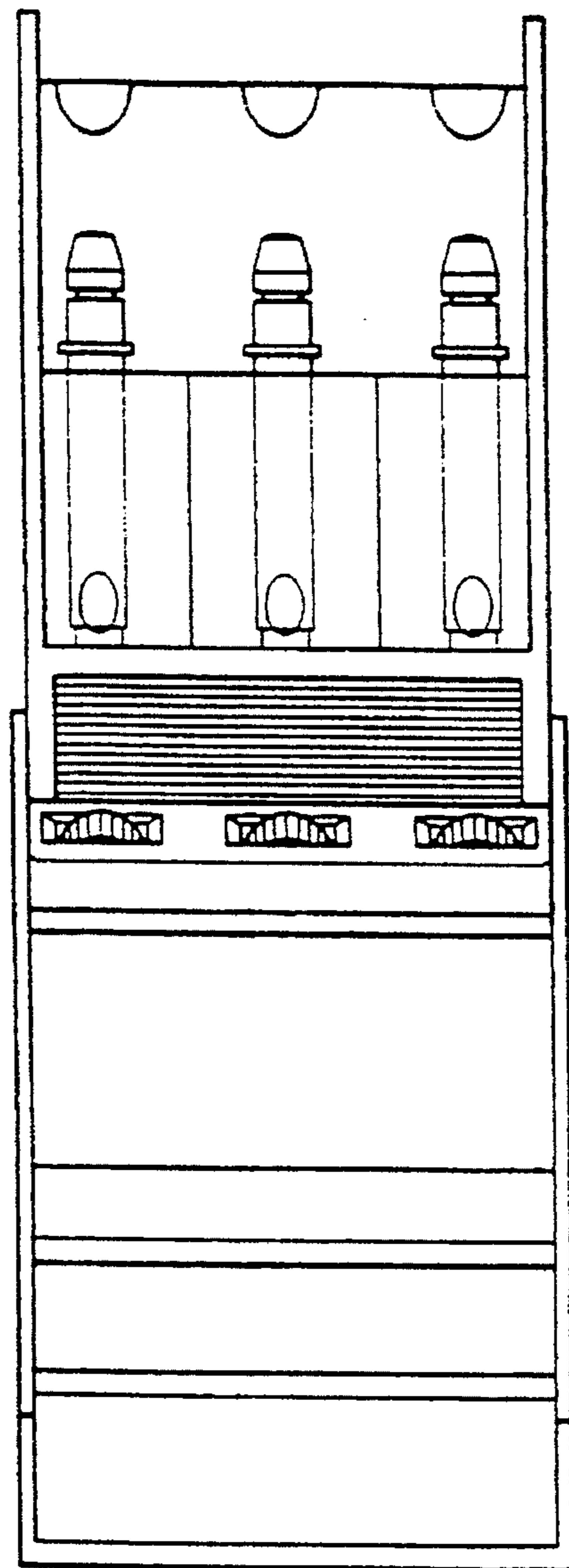


FIG. 9

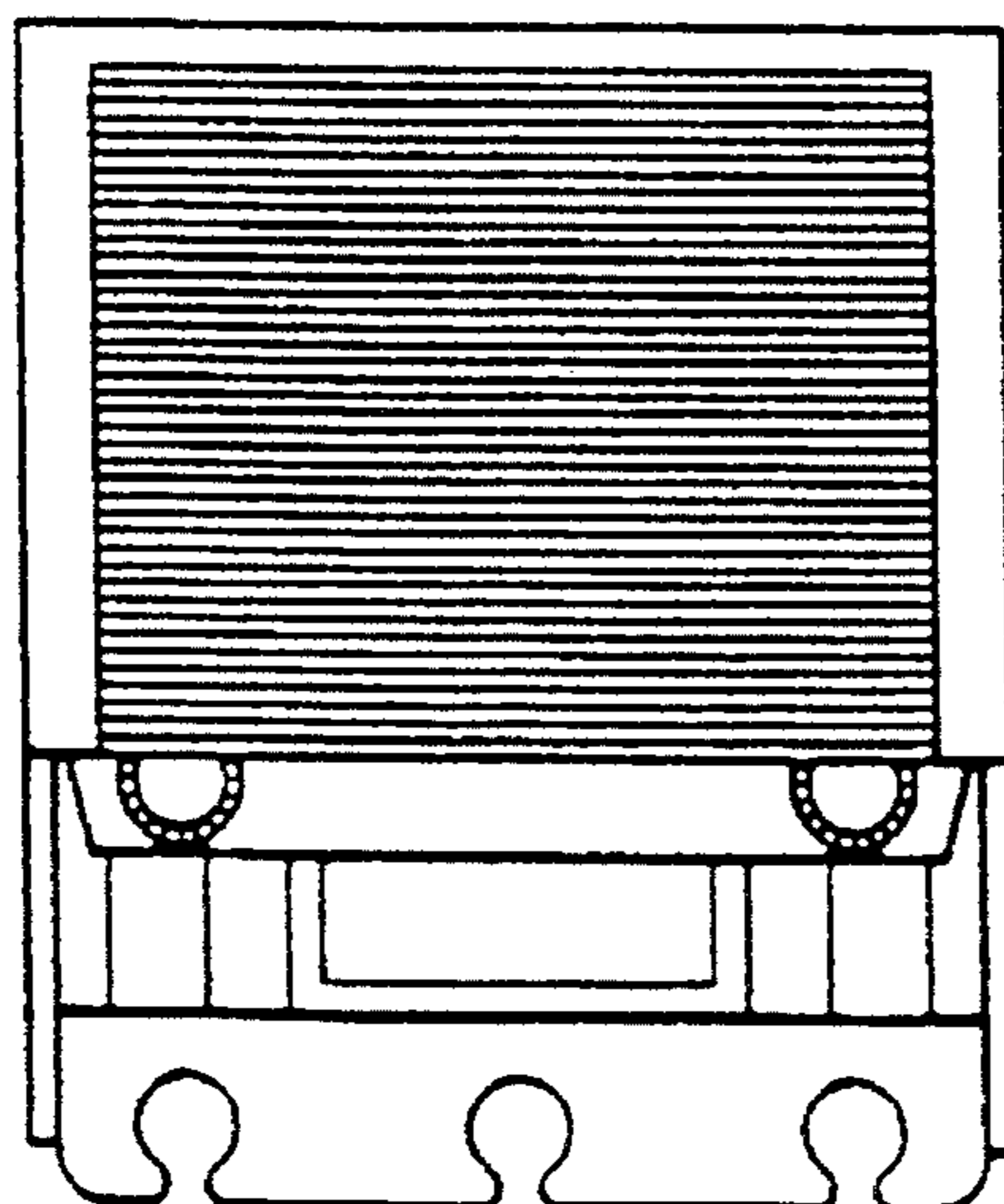


FIG. 10

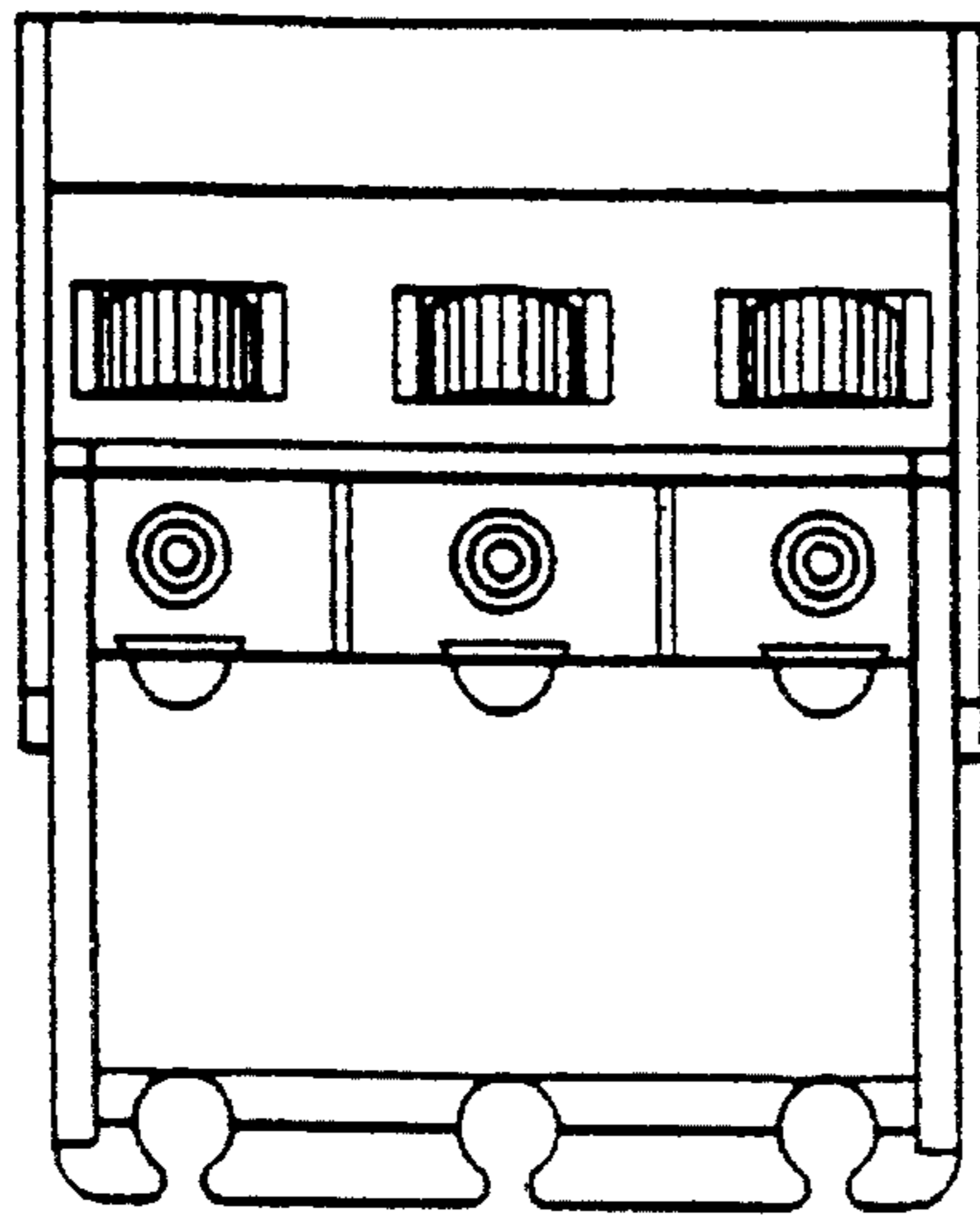


FIG. 11

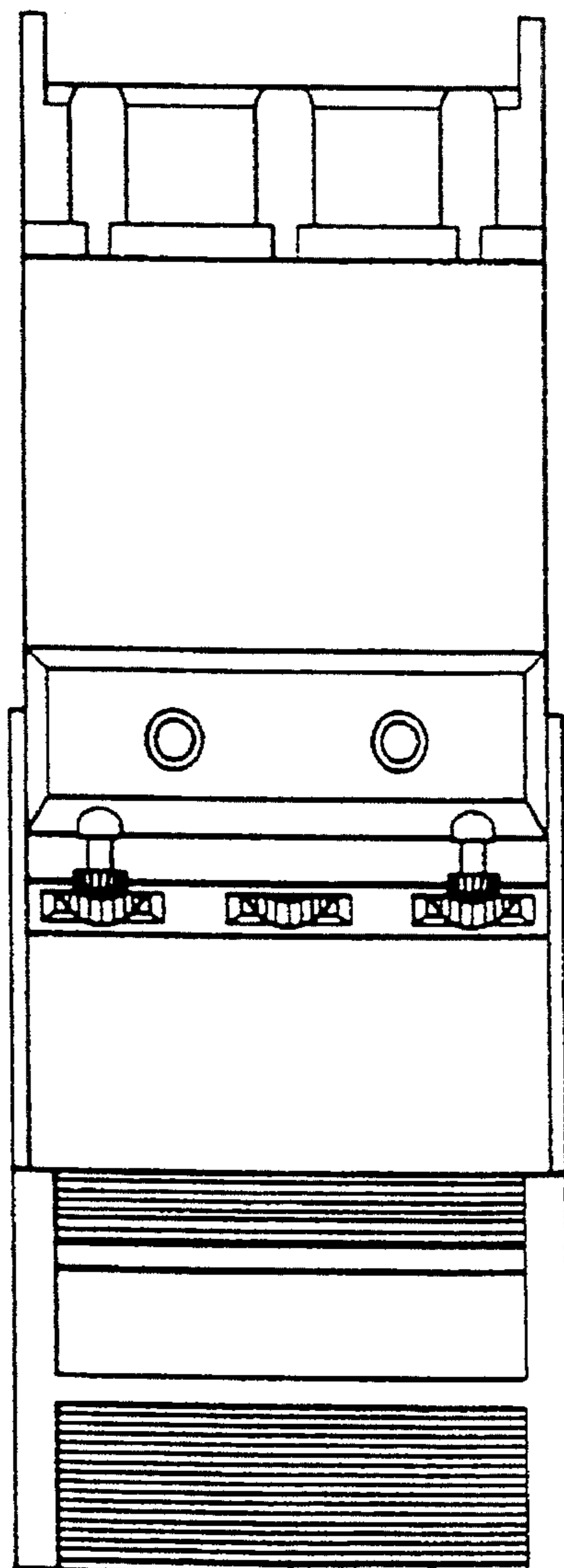


FIG. 12

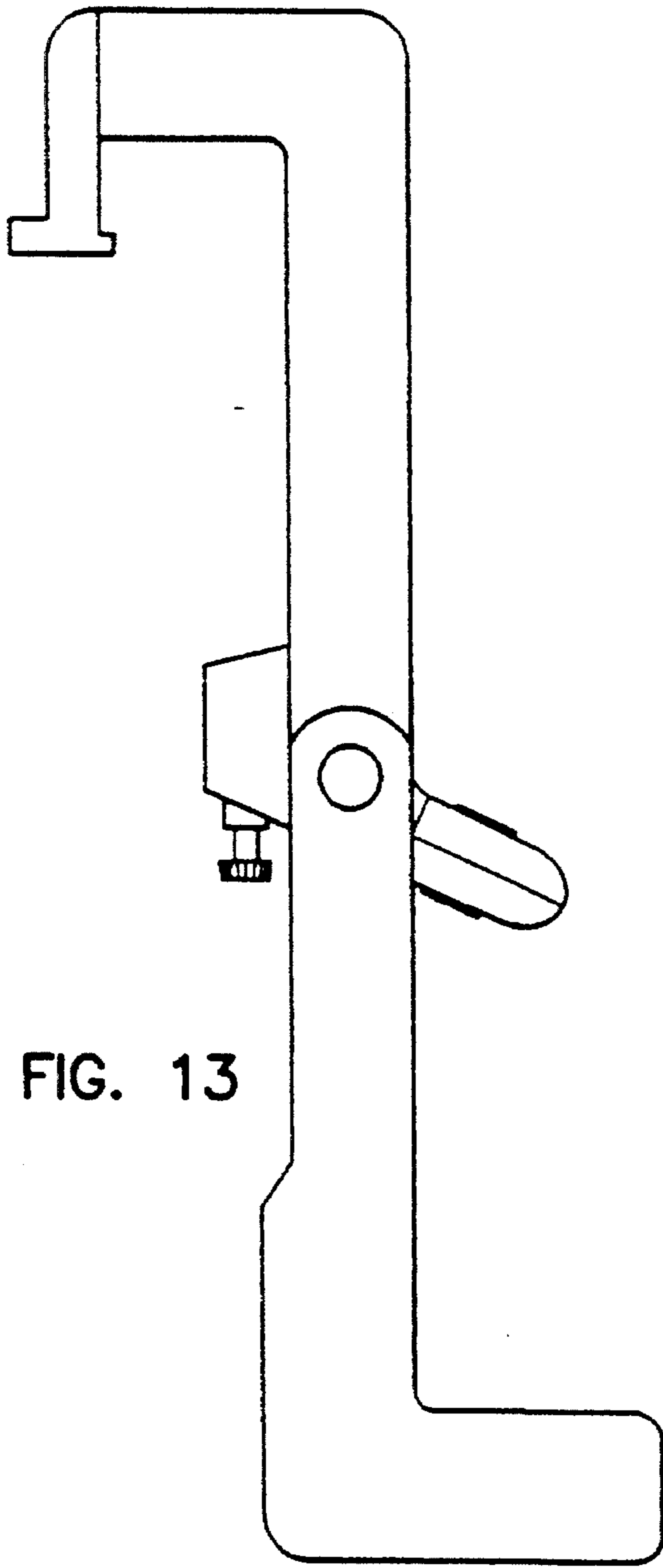


FIG. 13

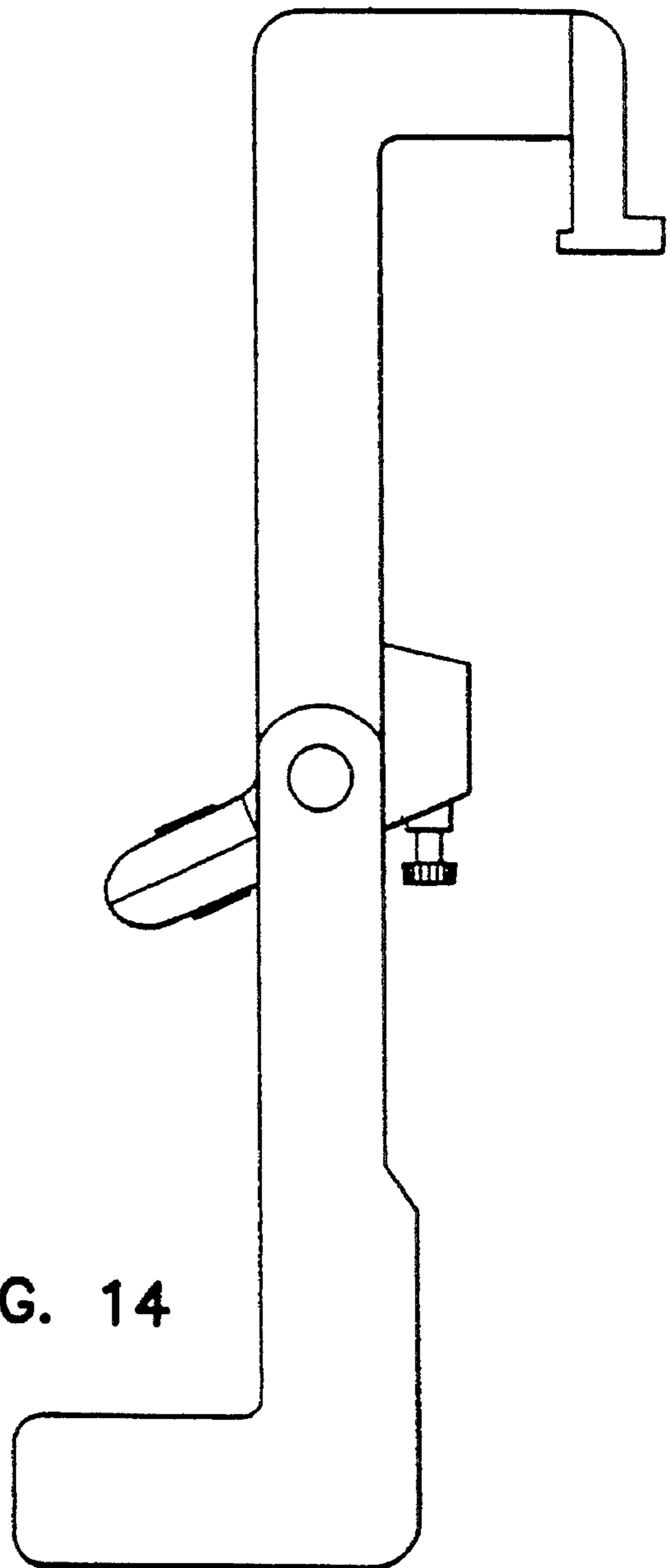


FIG. 14