



US00D362812S

United States Patent [19]

[11] Patent Number: **Des. 362,812**

Meyer

[45] Date of Patent: ****Oct. 3, 1995**

[54] **SIDING APPLICATION AND GAUGE TOOL**

[76] Inventor: **Glen A. Meyer**, 940 N. 10th, Stayton, Oreg. 97383

[**] Term: **14 Years**

[21] Appl. No.: **30,758**

[22] Filed: **Nov. 7, 1994**

Related U.S. Application Data

[63] Continuation of Ser. No. 125,079, Sep. 1, 1993, Pat. No. 5,400,519, which is a continuation of Ser. No. 845,615, Mar. 10, 1992, abandoned.

[52] U.S. Cl. **D10/64**

[58] Field of Search D8/349, 354, 366, D8/373; D10/46, 64, 65, 70, 71; D25/199; 33/646, 647; 248/215, 301, 304

[56] References Cited

U.S. PATENT DOCUMENTS

Re. 22,644	5/1945	Stroben	D8/373
D. 305,299	1/1990	Freeman	D8/373
399,898	3/1889	Hosack .	
565,299	8/1896	Ratcliff	33/646
652,256	6/1900	Farmer .	

774,114	11/1904	Spear .
1,115,202	10/1914	Ingles .
1,598,986	9/1926	Ping .
4,208,799	6/1980	Frantello .
4,425,714	1/1984	Kelly, Jr. .
4,473,100	9/1984	Wheeler .

OTHER PUBLICATIONS

Popular Mechanics: vol 103 #6, p. 180 Jun. 1955, Gauge Tool.

Primary Examiner—Antoine Duval Davis
Attorney, Agent, or Firm—Kolisch Hartwell Dickinson McCormack & Heuser

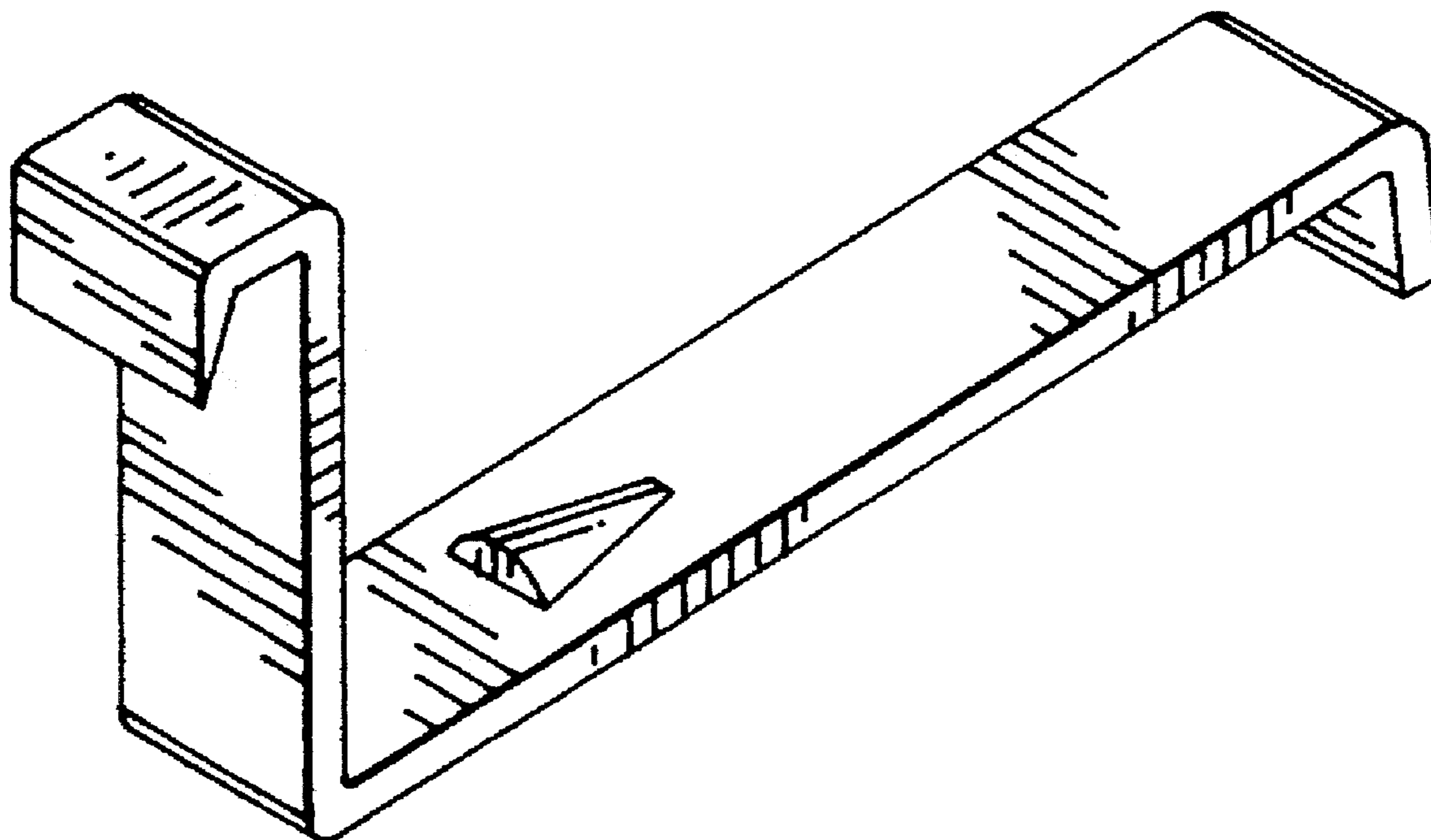
[57] CLAIM

The ornamental design for a siding application and gauge tool, as shown.

DESCRIPTION

FIG. 1 is a perspective view;
FIG. 2 is a side view;
FIG. 3 is a top view;
FIG. 4 is a bottom view;
FIG. 5 is an end view; and,
FIG. 6 is an end view of the opposite end.

1 Claim, 1 Drawing Sheet



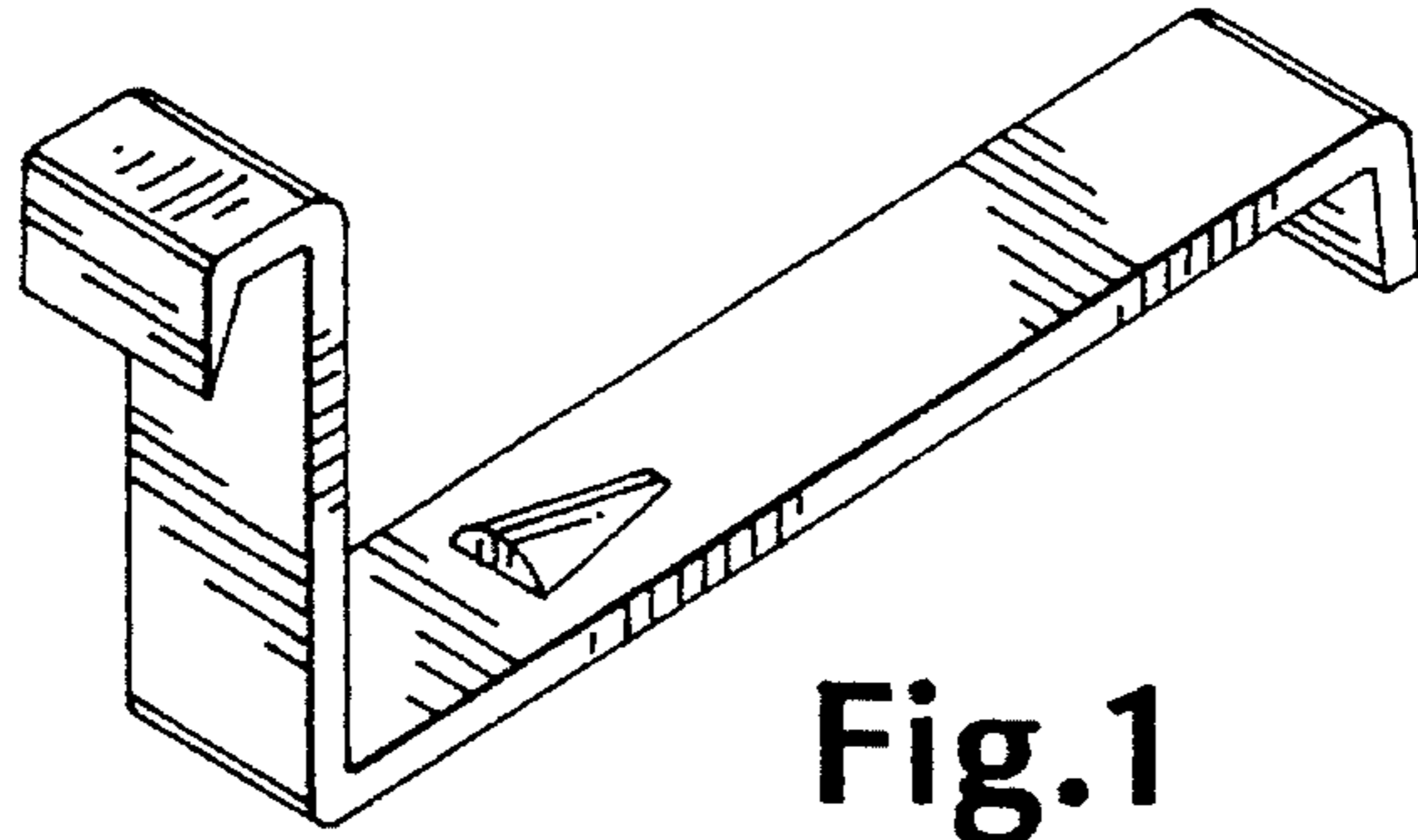


Fig.1

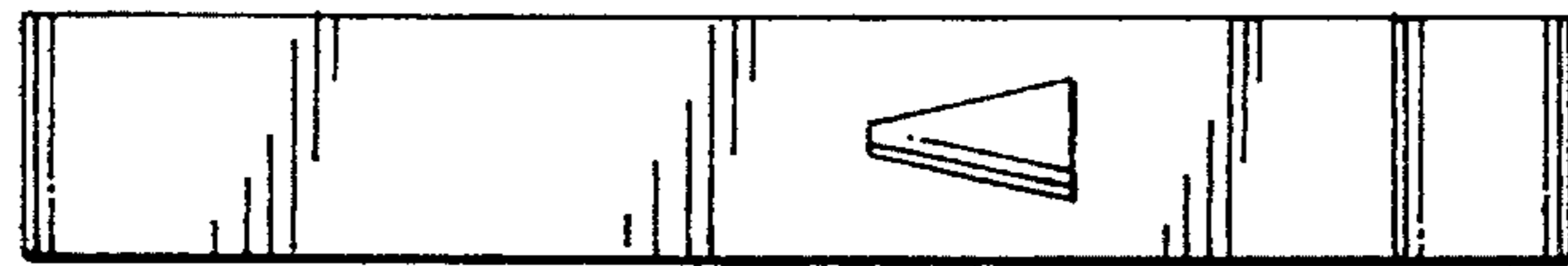


Fig.3



Fig.5

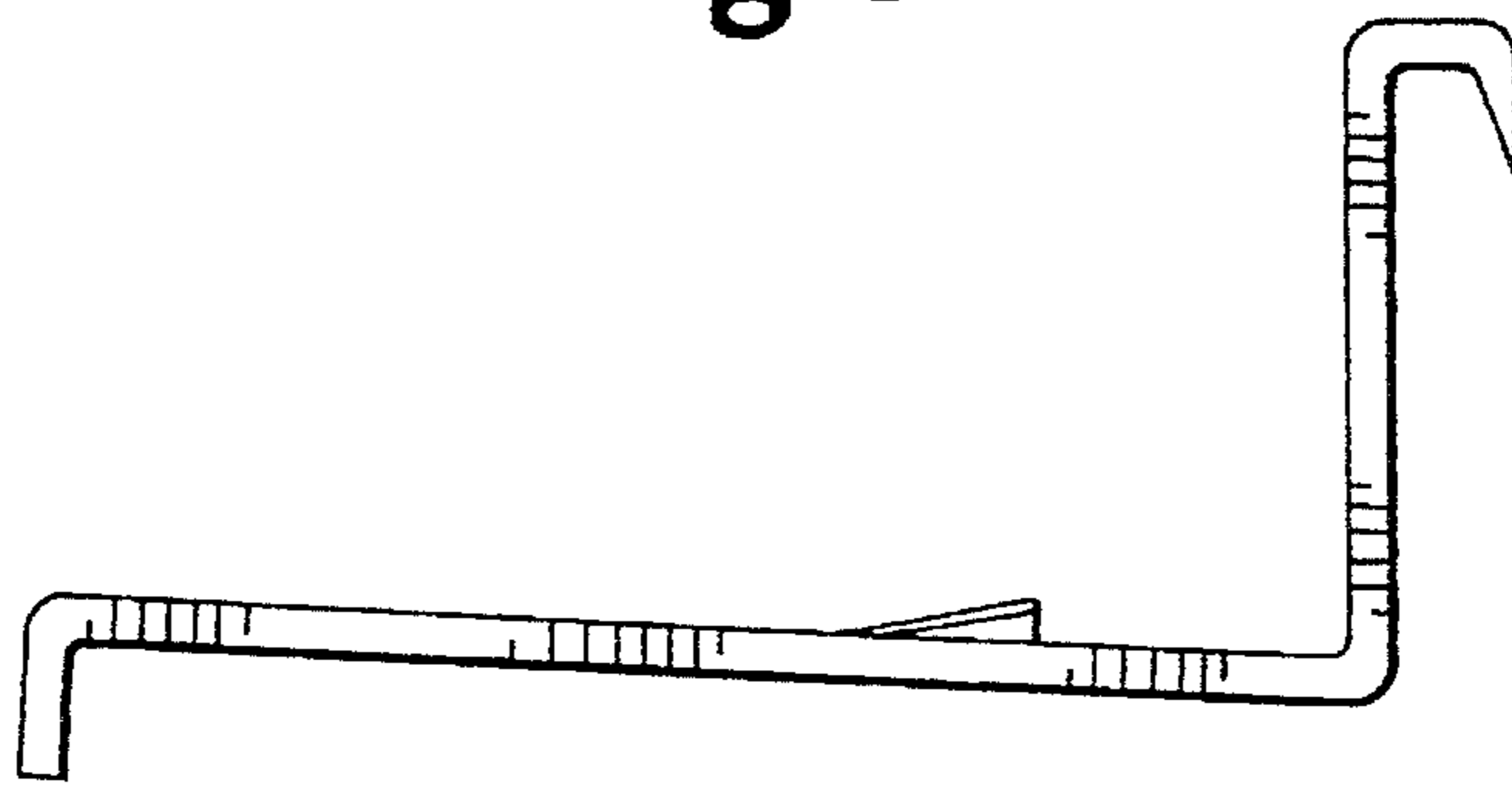


Fig.2

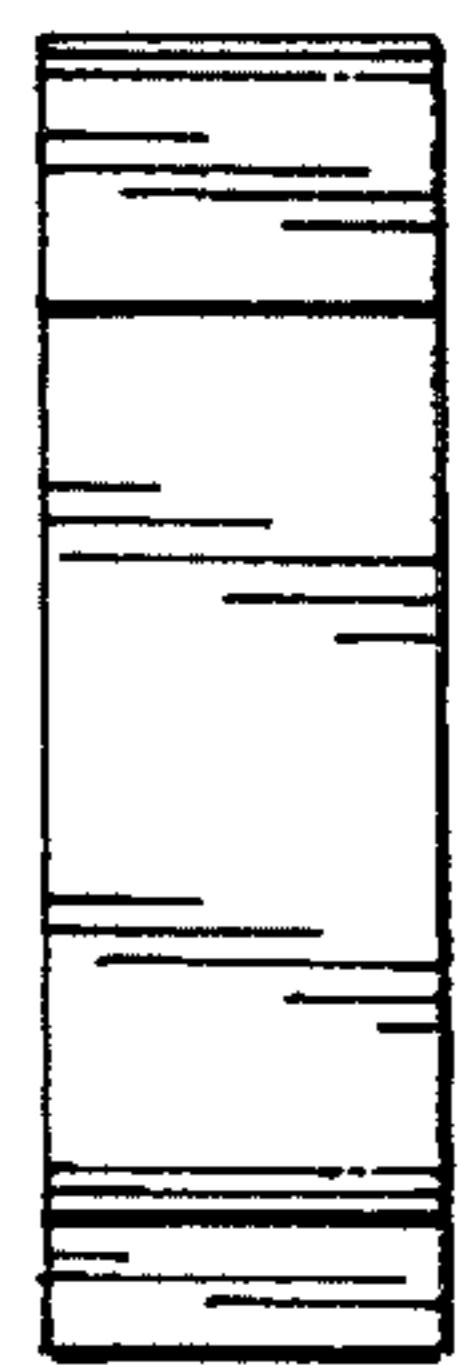


Fig.6

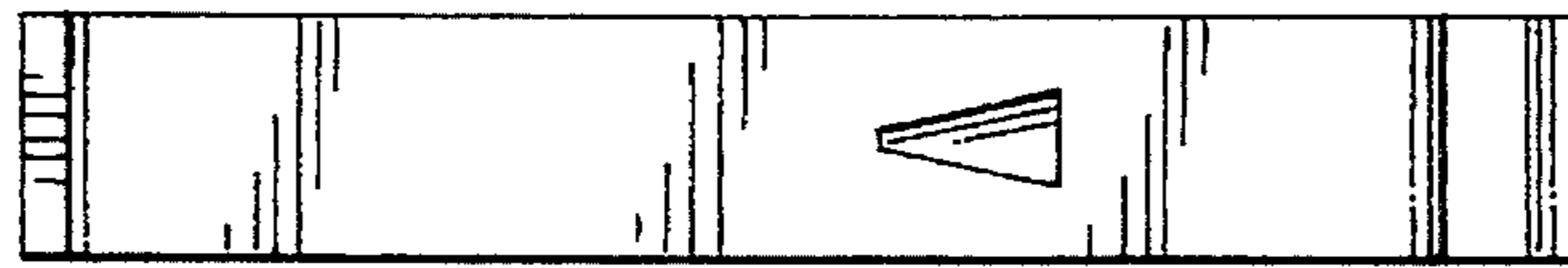


Fig.4