



US00D362811S

United States Patent [19]

[11] Patent Number: **Des. 362,811**

Capetanopolous et al.

[45] Date of Patent: ****Oct. 3, 1995**

[54] **GAS SENSOR**

[75] Inventors: **Constantine D. Capetanopolous**, Dobbs Ferry; **Patrick J. Iannotta**, Bellmore, both of N.Y.; **Bryan S. Hobbs**, Chertsey; **John R. Finbow**, Southampton, both of United Kingdom

[73] Assignee: **SEM Corporation**, Westbury, N.Y.

[**] Term: **14 Years**

[21] Appl. No.: **28,228**

[22] Filed: **Sep. 9, 1994**

[52] U.S. Cl. **D10/52**

[58] Field of Search D10/46, 52, 97, D10/99, 81; 73/19.1, 19.12, 31.02, 24.01, 31.06, 1 R, 1 G, 31.06, 864.34, 431; 72/23; 422/80, 3, 5, 82.04, 98, 78, 88, 93, 111, 91, 94; 340/632; 210/916, 188, 744; 436/121, 55, 124, 133, 136, 134, 111, 128, 129; 204/153.14, 153.2, 153.1, 153.18, 425, 426, 400, 406, 280, 412, 153.17, 402

[56] **References Cited**

U.S. PATENT DOCUMENTS

Re. 29,769	9/1978	Kiesow	436/34	X
D. 330,521	10/1992	Krolopp	D10/52	X
4,617,277	10/1986	Bohl	436/34	

Primary Examiner—Antoine Duval Davis
Attorney, Agent, or Firm—Lee, Mann, Smith, McWilliams, Sweeney & Ohlson

[57] **CLAIM**

The ornamental design for a gas sensor, as shown and described.

DESCRIPTION

FIG. 1 is a front perspective view from above, and one side; FIG. 2 is a view from the other side; FIG. 3 is a rear view; and, FIG. 4 is an underneath plan view.

1 Claim, 2 Drawing Sheets

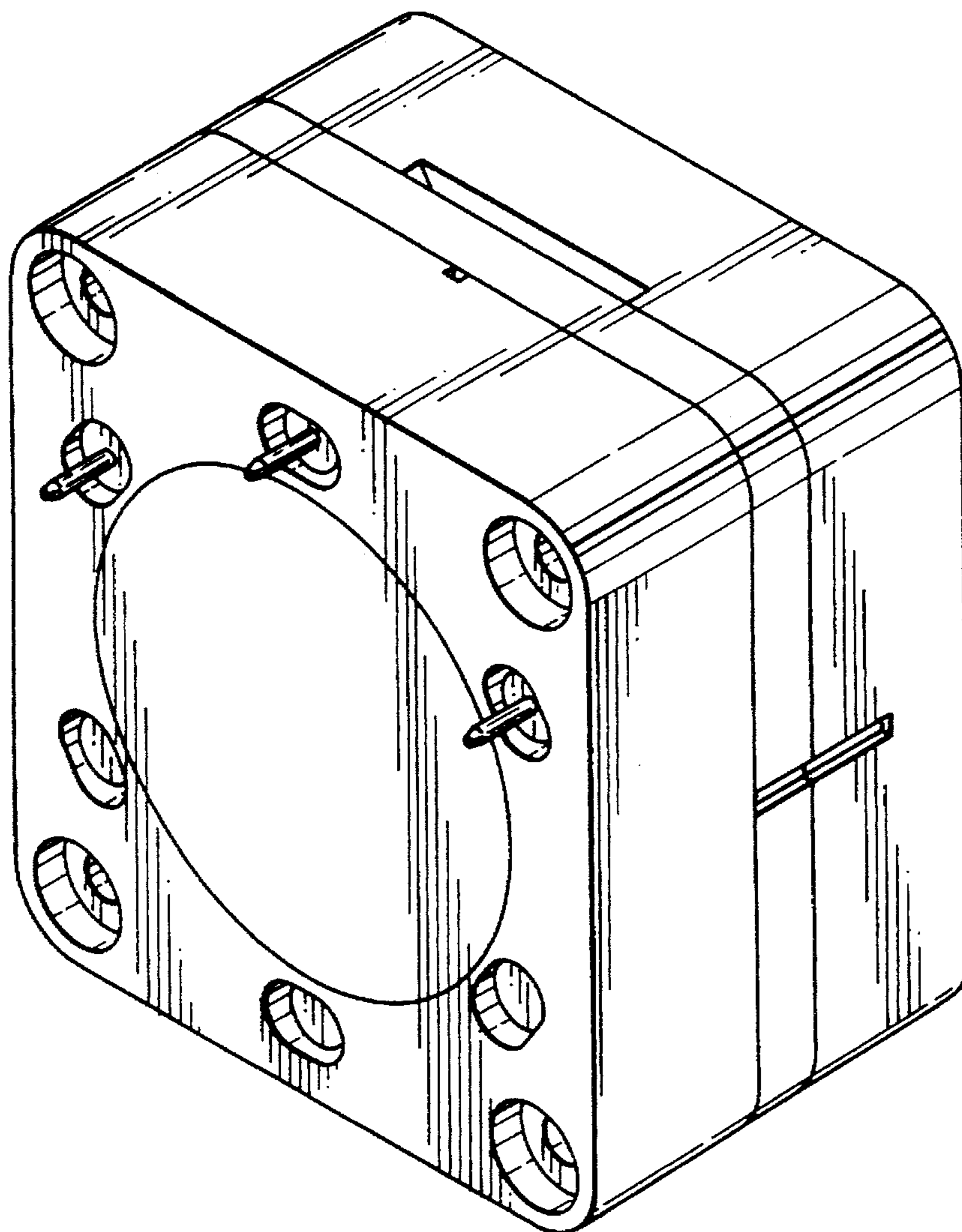


Fig. 1.

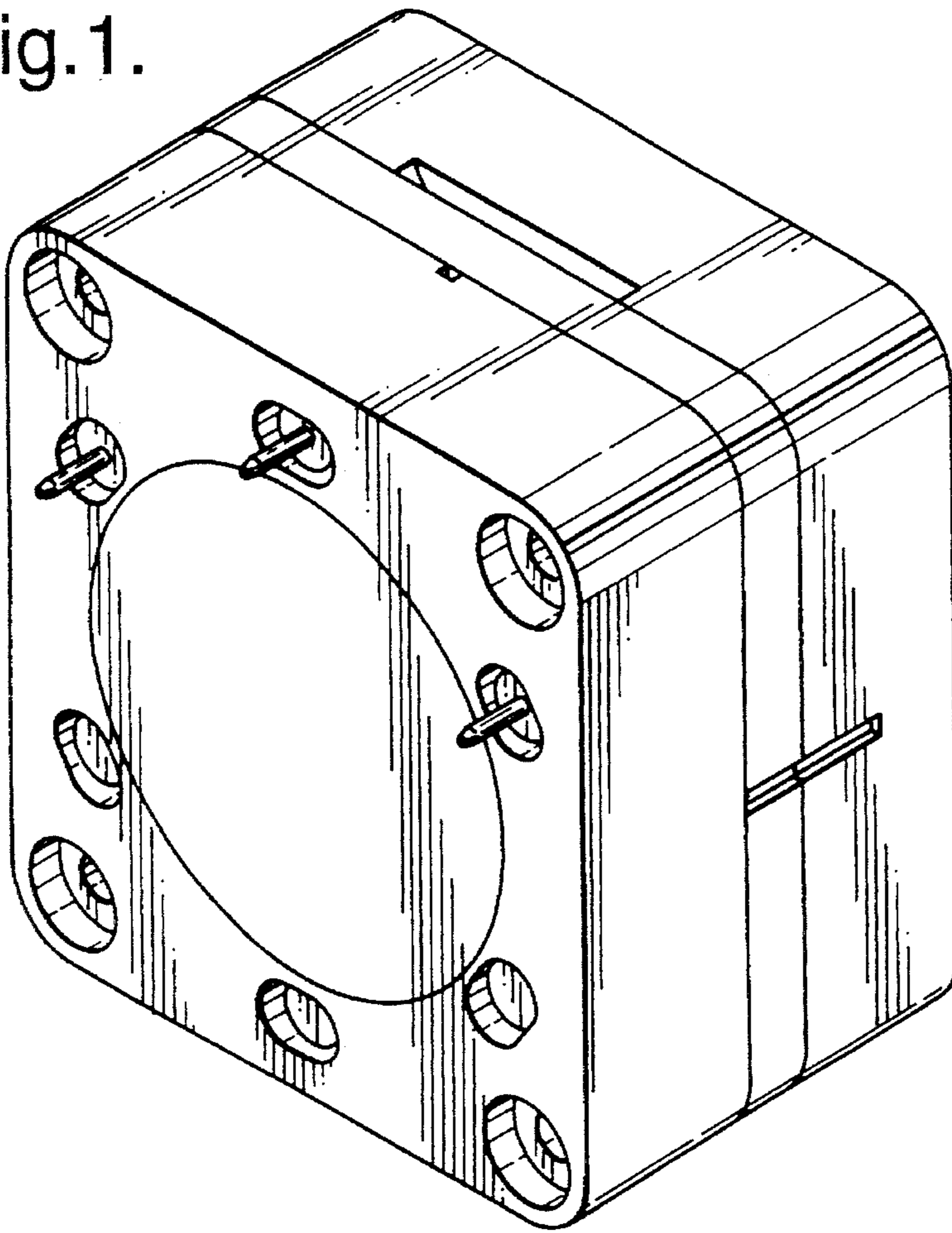


Fig. 2.

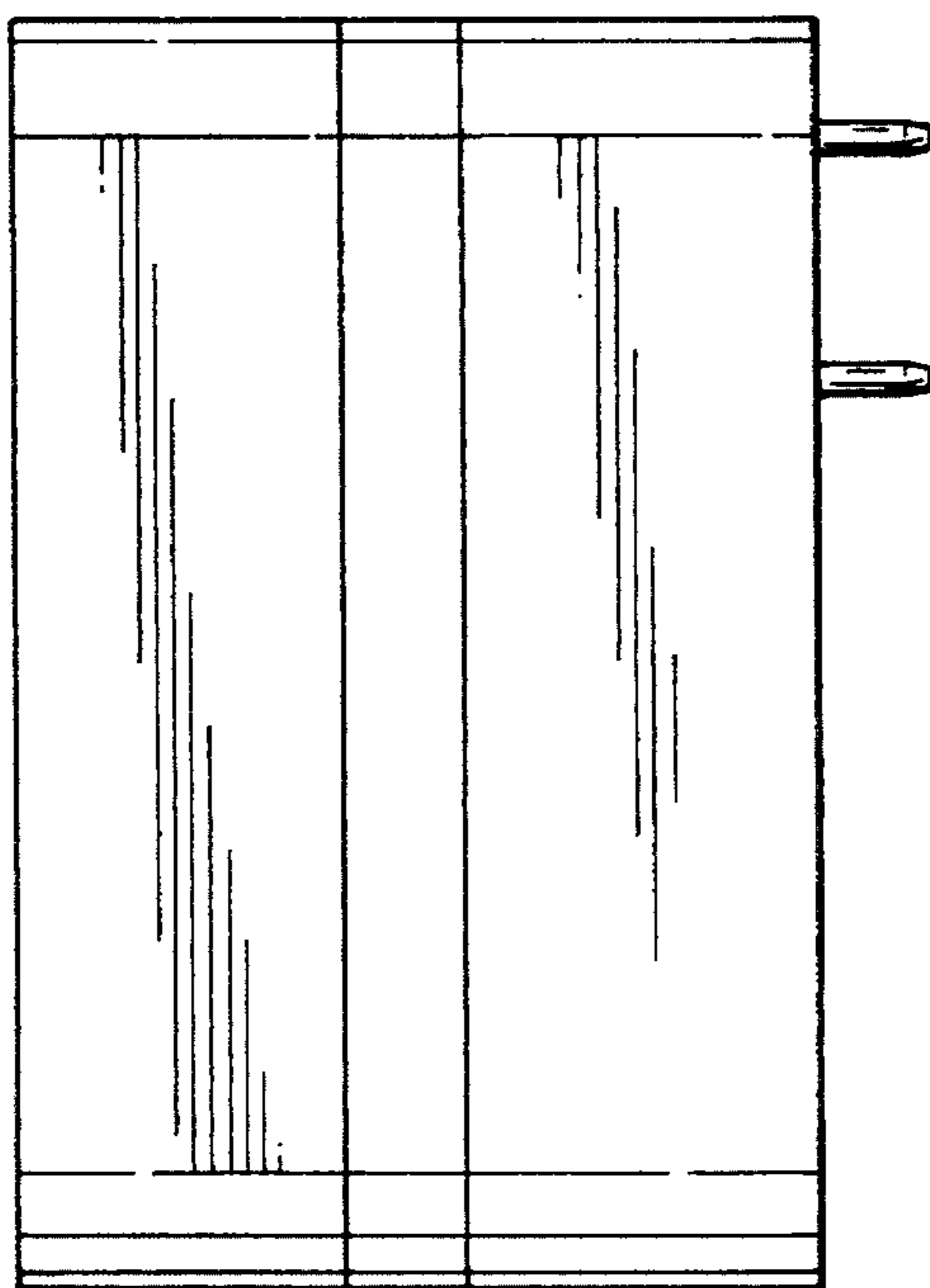


Fig.3.

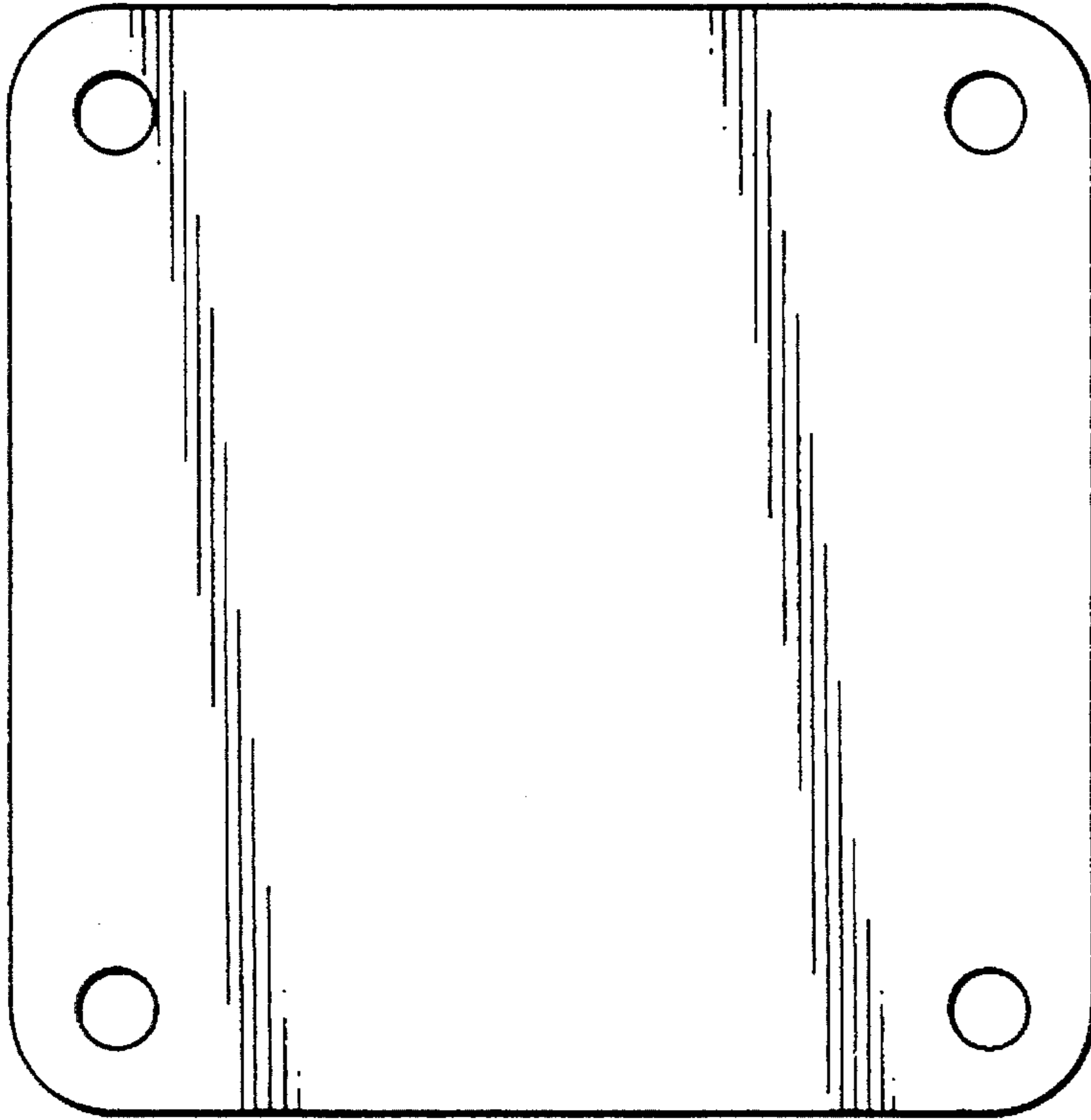


Fig.4.

