



US00D362810S

# United States Patent [19]

[11] Patent Number: **Des. 362,810**

Seaburn et al.

[45] Date of Patent: **\*\*Oct. 3, 1995**

[54] **TWO PIECE WINDOW TINT METER**

5,194,910 3/1993 Kirkpatrick, Jr. et al. .... 356/435 X

[76] Inventors: **Scott K. Seaburn**, 300 Kahelu Ave., Ste. 40, Mililani, Hi. 96789; **Richard P. Halverson**, 47-682 Uakea Pl., Kaneohe, Hi. 96744

*Primary Examiner*—Antoine Duval Davis  
*Attorney, Agent, or Firm*—Martin E. Hsia

[\*\*] Term: **14 Years**

[57] **CLAIM**

The ornamental design for a two piece window tint meter, as shown and described.

[21] Appl. No.: **22,638**

**DESCRIPTION**

[22] Filed: **May 9, 1994**

[52] U.S. Cl. .... **D10/46; D10/78**

[58] **Field of Search** ..... D10/46, 47, 78, D10/80, 81, 103; D16/130; 116/202, DIG. 5, DIG. 41; 250/226, 227.29, 227.28, 228, 351, 339.07, 339.11, 372, 474.1, 472.1; 356/73, 236, 319, 326, 328, 334, 39, 402, 408, 407, 405, 416, 418, 419, 435, 436, 446, 448; 364/498, 502, 526; 501/70

FIG. 1 is a left front perspective view of the light source and light meter units of a two piece window tint meter showing our new design;

FIG. 2 is a right rear perspective view thereof;

FIG. 3 is a rear elevational view thereof;

FIG. 4 is a front elevational view thereof;

FIG. 5 is a right side elevational view thereof;

FIG. 6 is a left side elevational view thereof;

FIG. 7 is a top plan view thereof;

FIG. 8 is a bottom plan view thereof; and,

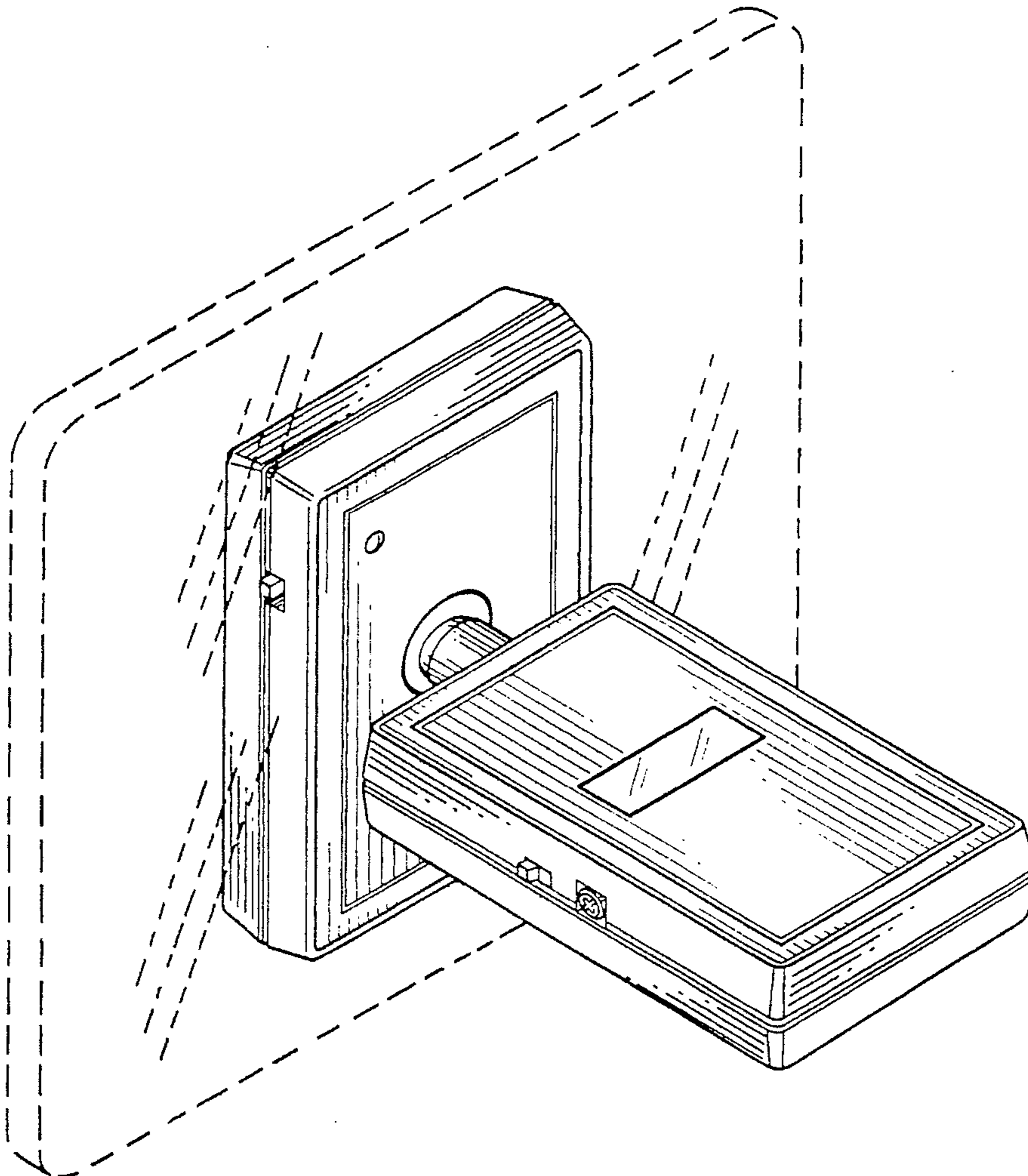
FIG. 9 shows the light source unit in an operative relationship with the light meter unit, the broken line showing environmental structure only and forms no part the design.

[56] **References Cited**

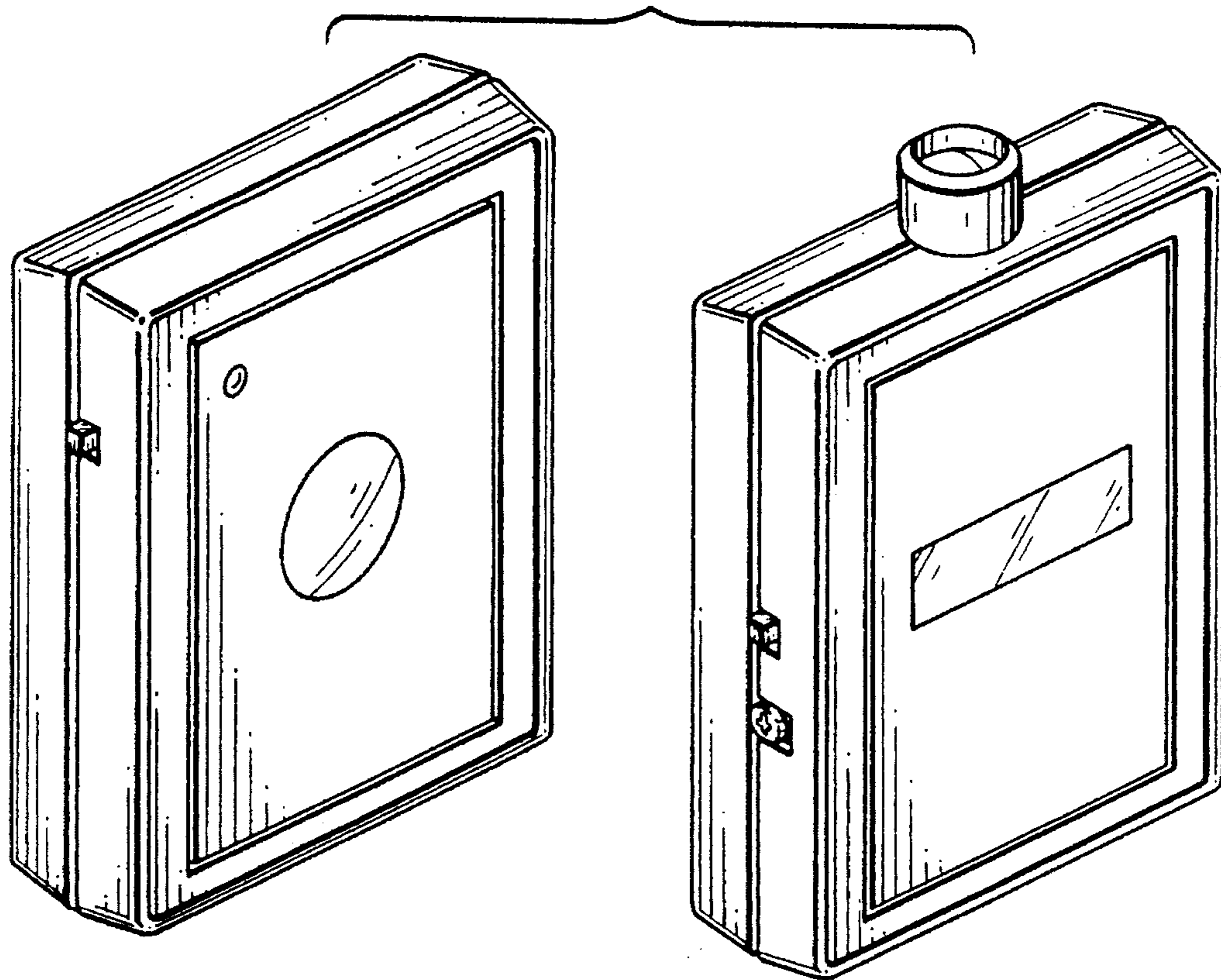
**U.S. PATENT DOCUMENTS**

D. 237,982 12/1975 Hoogesteger ..... D10/46  
4,037,972 7/1977 Pross ..... 356/435

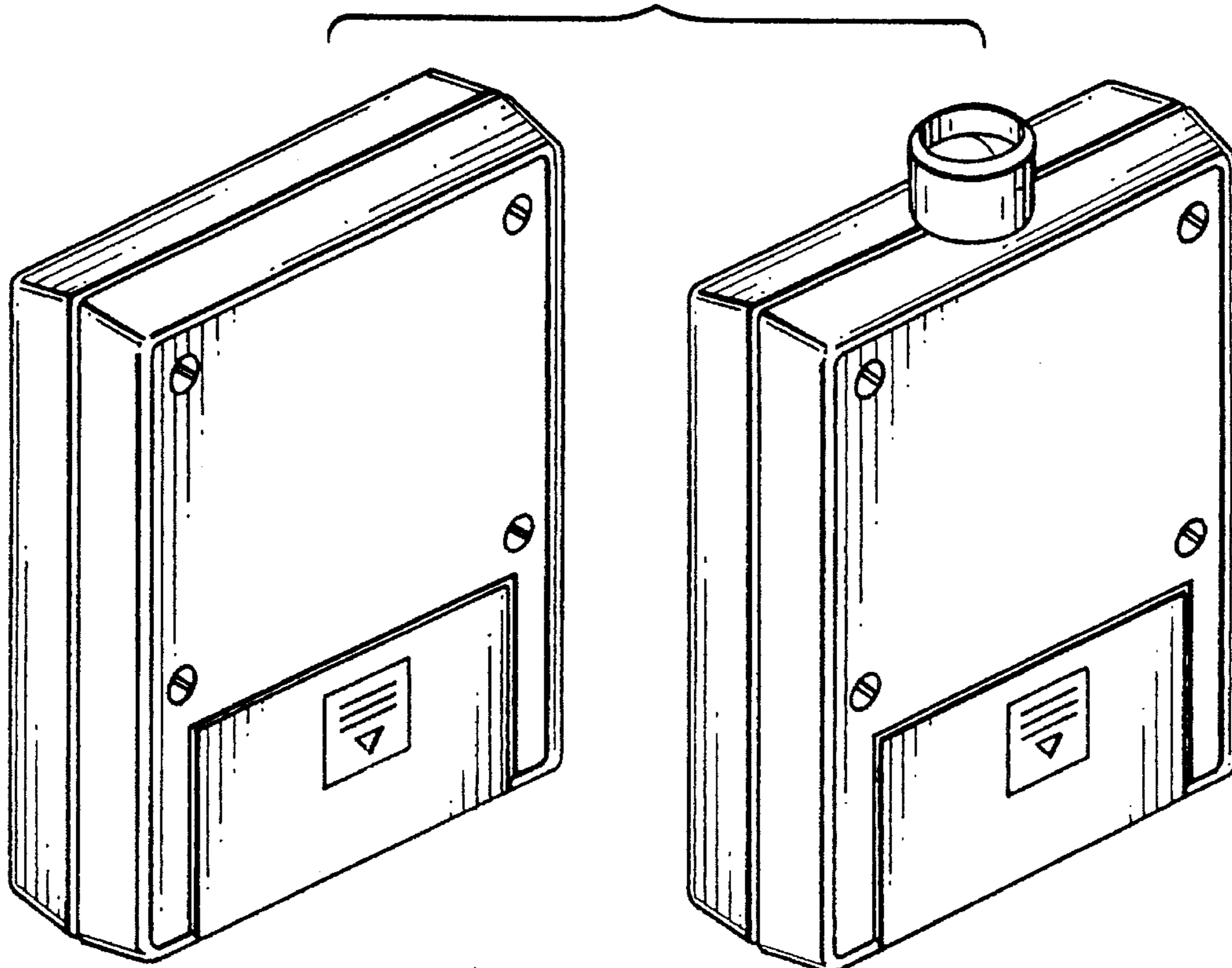
**1 Claim, 4 Drawing Sheets**



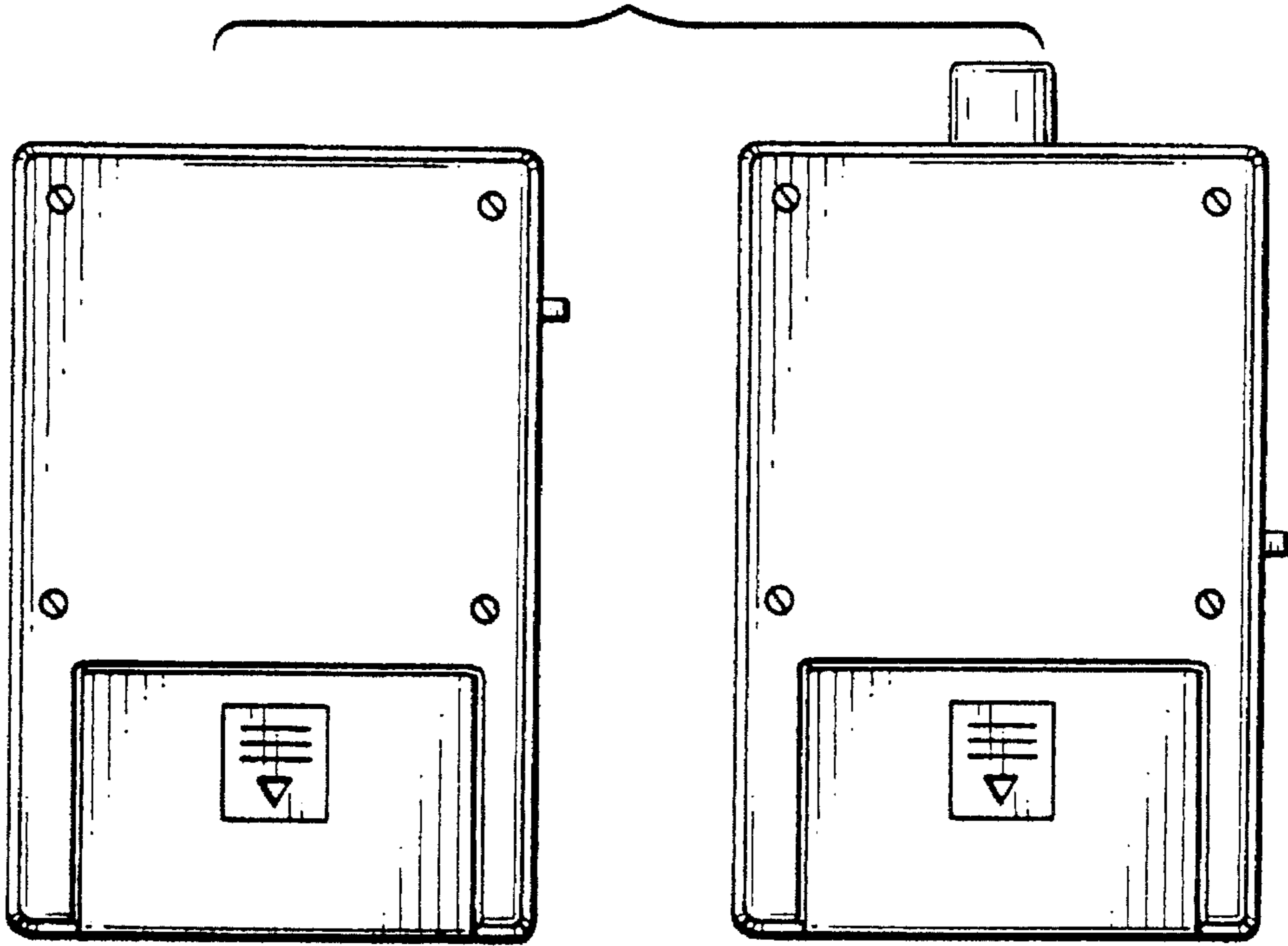
**FIG. 1**



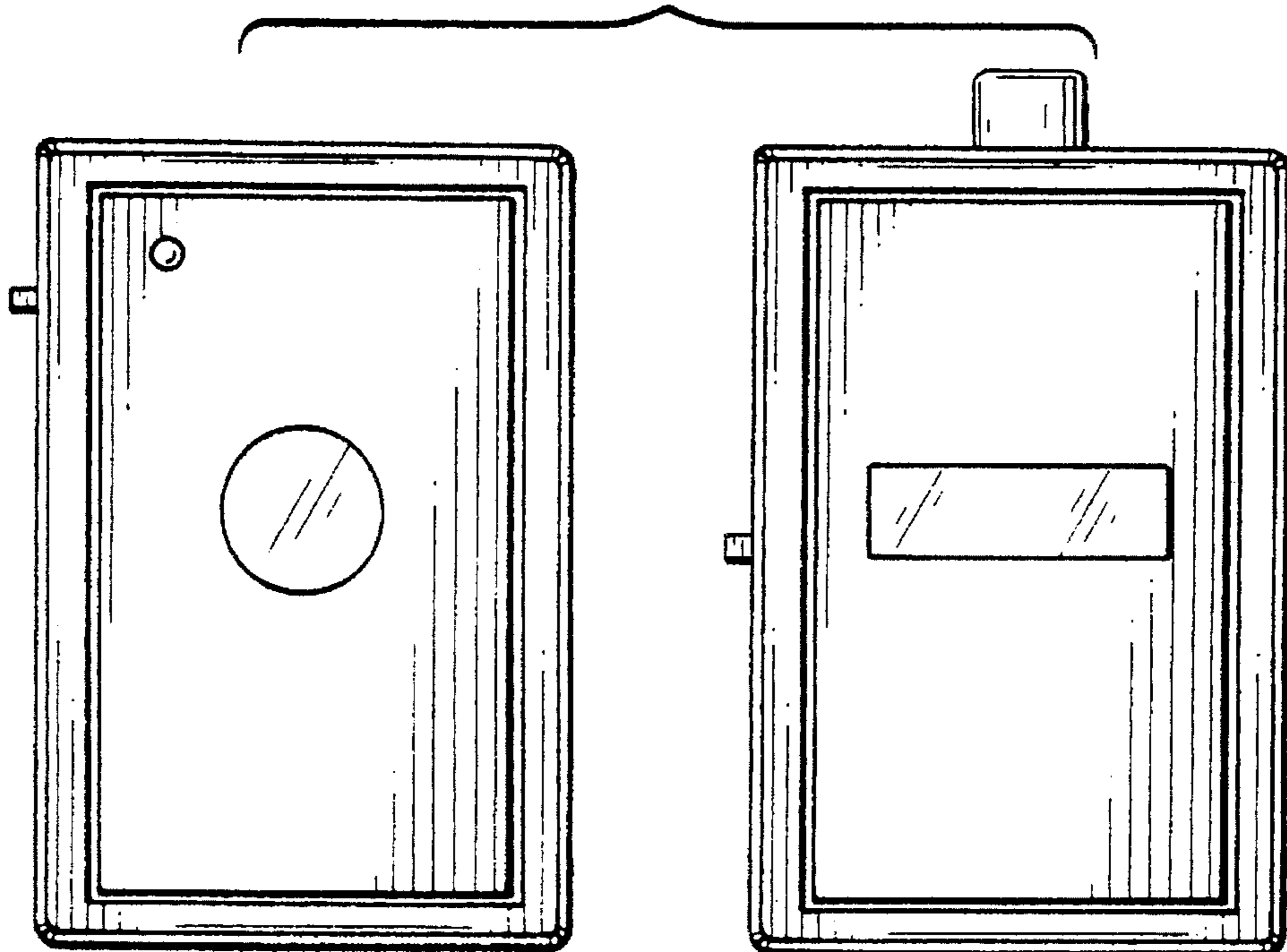
**FIG. 2**



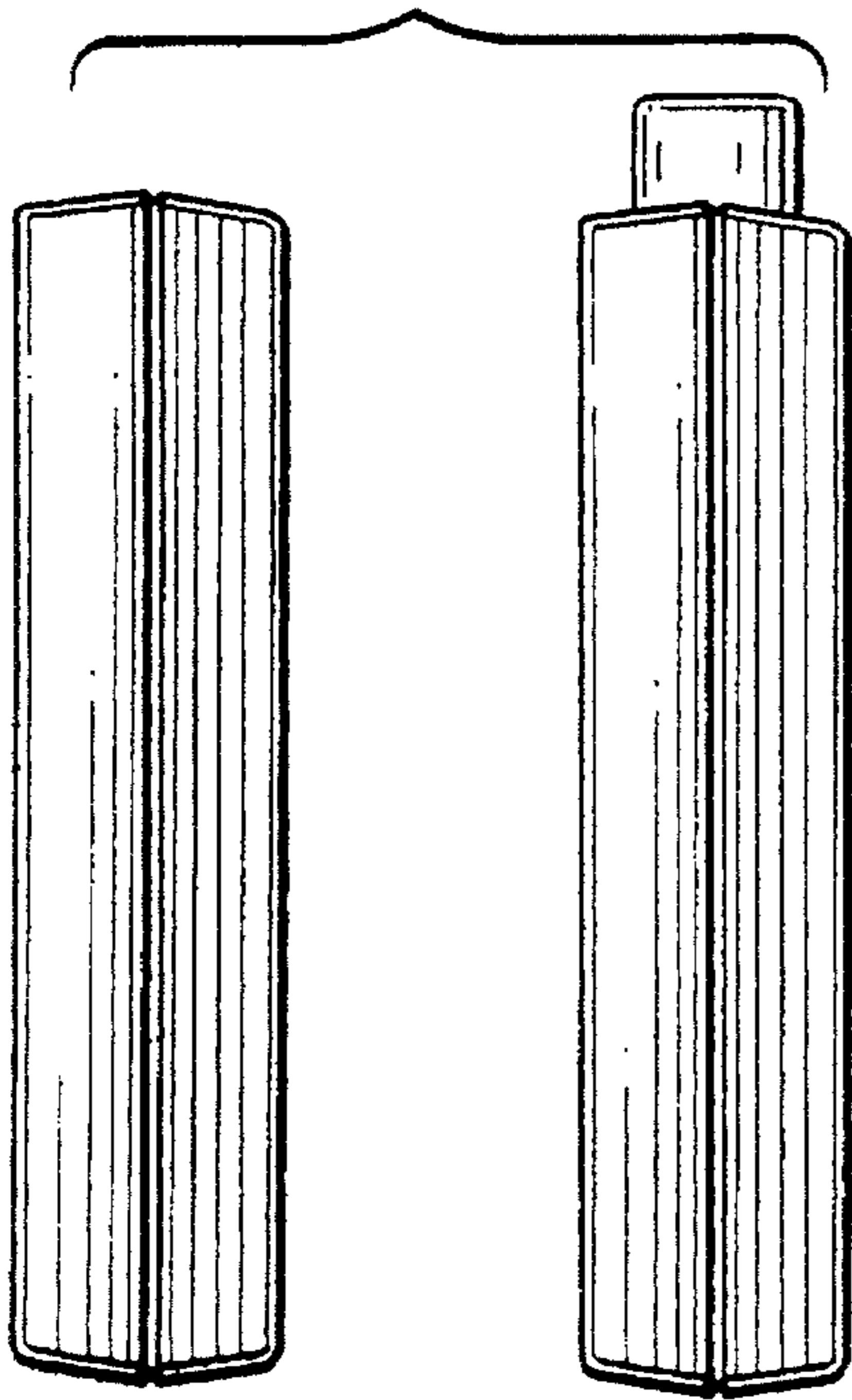
**FIG. 3**



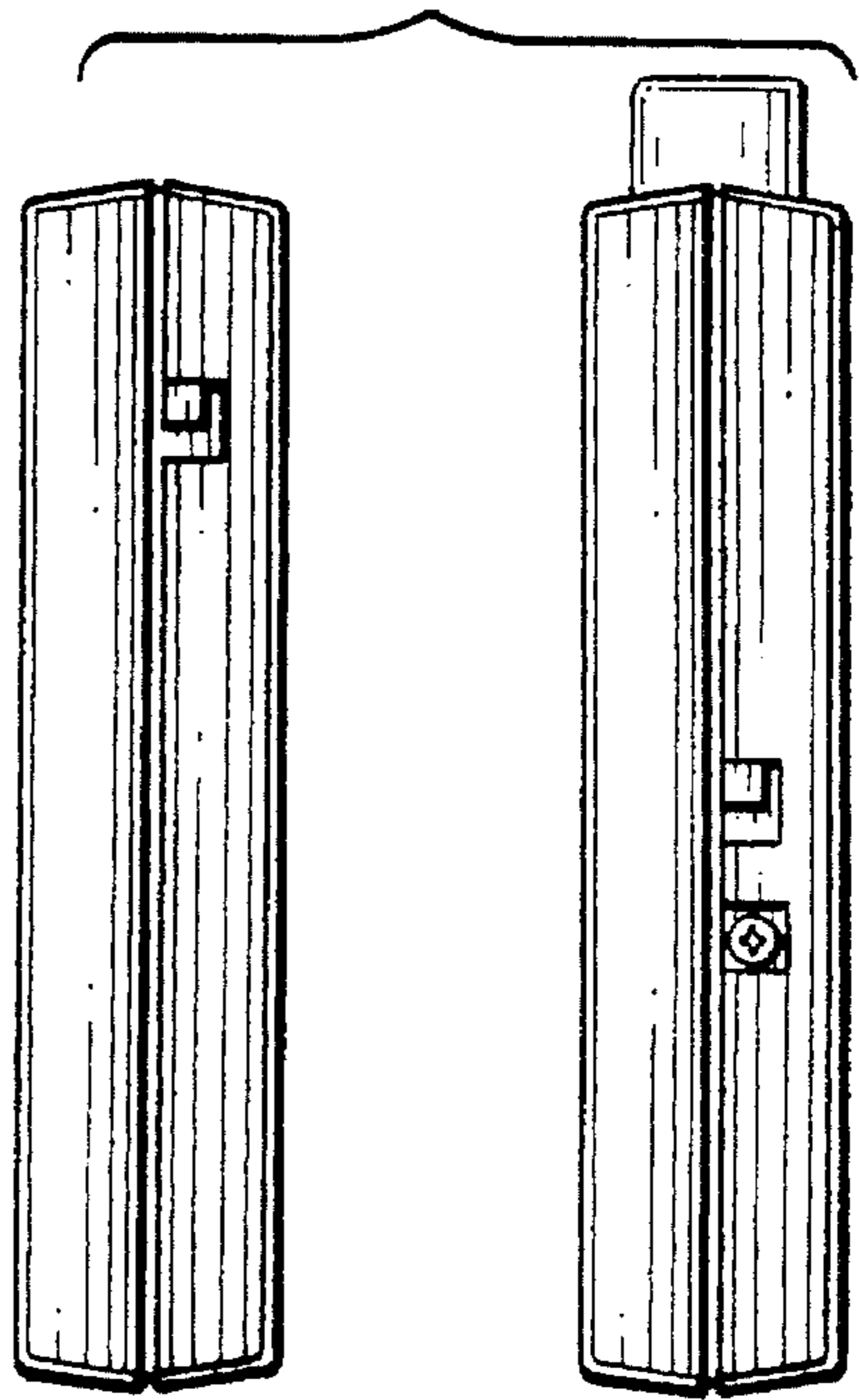
**FIG. 4**



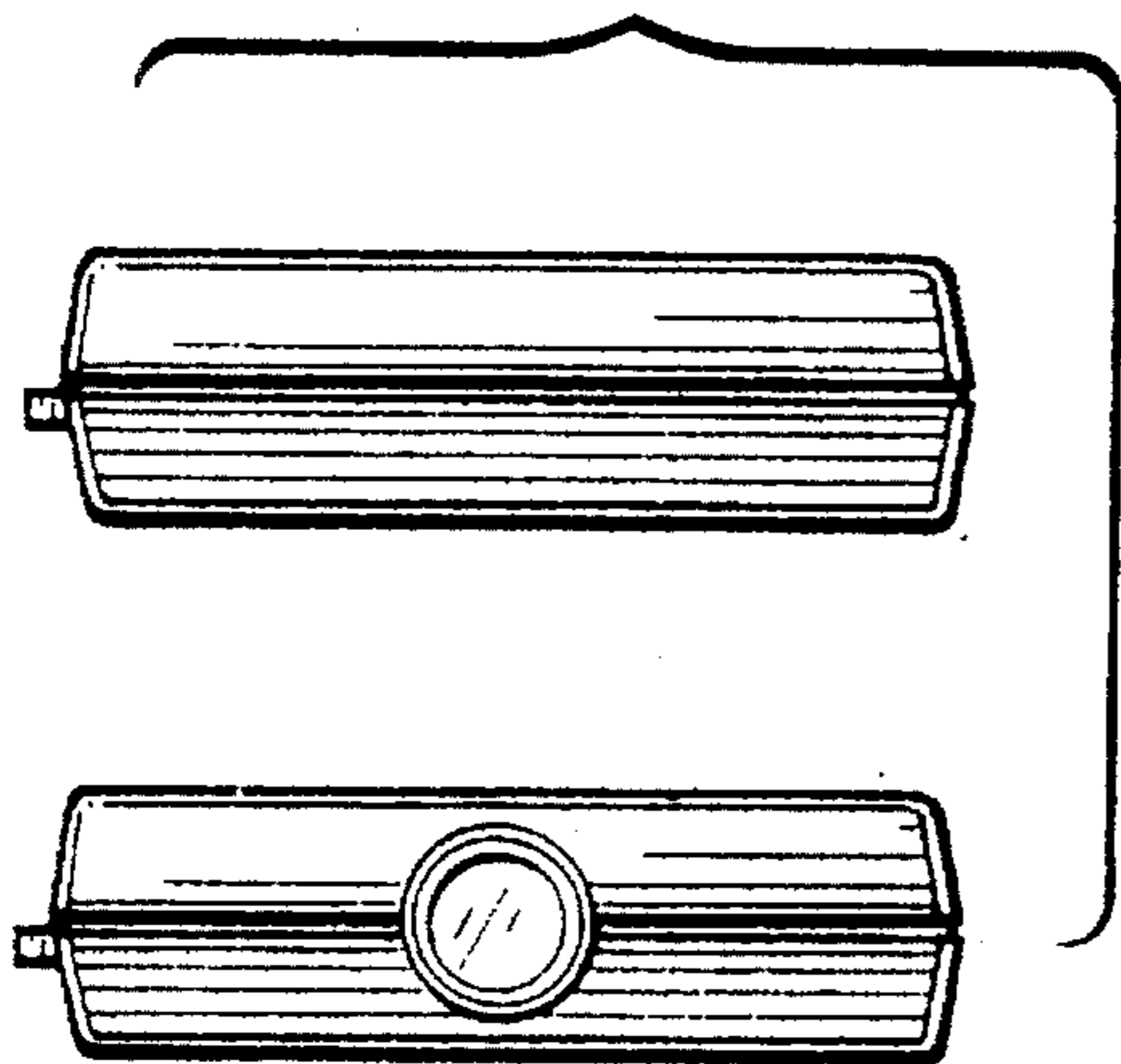
**FIG. 5**



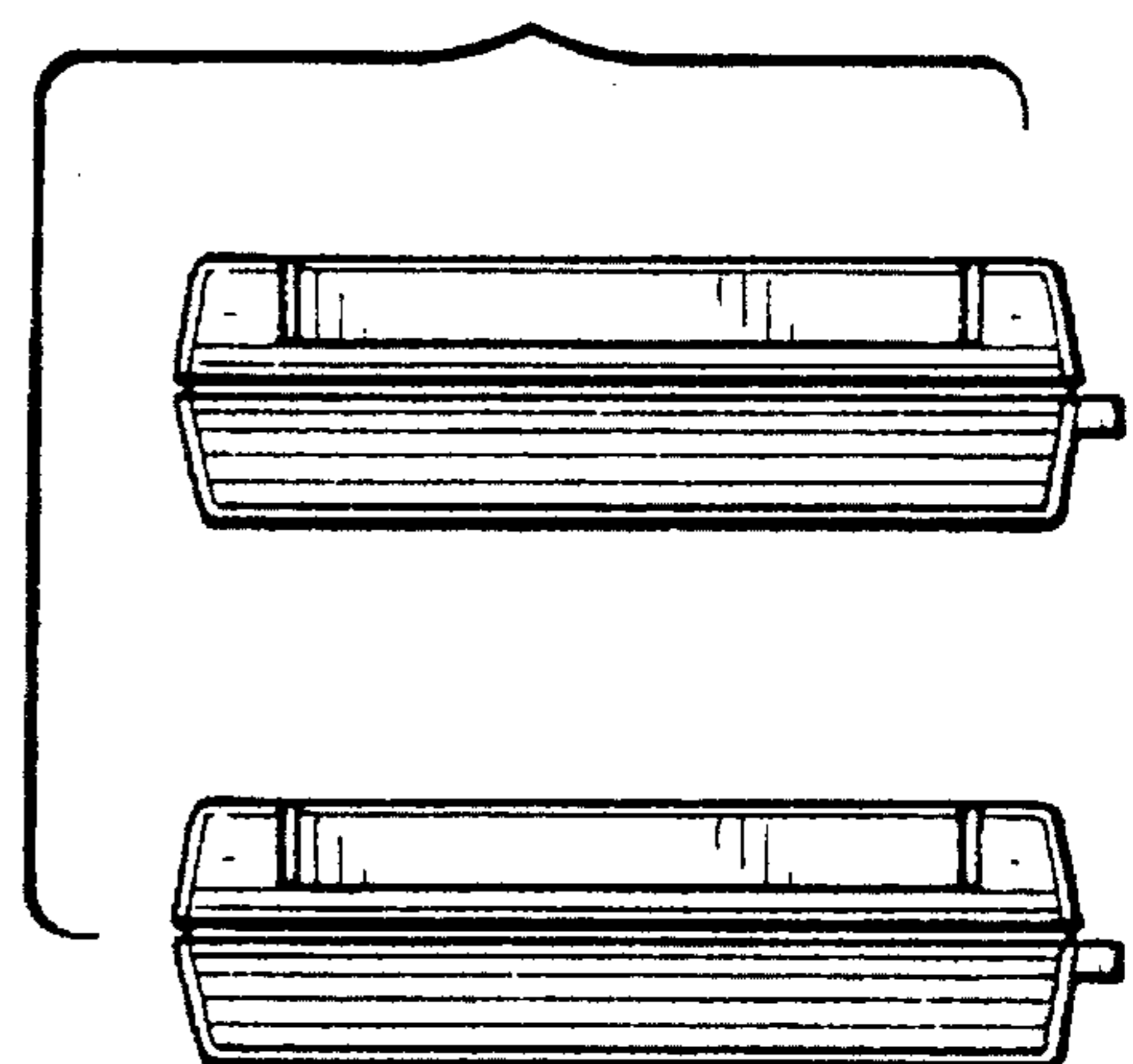
**FIG. 6**



**FIG. 7**



**FIG. 8**



**FIG. 9**

