



US00D362802S

United States Patent [19]

[11] Patent Number: **Des. 362,802**

Lee

[45] Date of Patent: ****Oct. 3, 1995**

[54] **PACKING BOX FOR INFANT SOCKS**

4,928,817 5/1990 Focke 206/242 X

[75] Inventor: **In S. Lee**, Seoul, Rep. of Korea

Primary Examiner—Prabhakar G. Deshmukh
Attorney, Agent, or Firm—Flynn, Thiel, Boutell & Tanis

[73] Assignee: **Lex Corporation**, Seoul, Rep. of Korea

[57] CLAIM

[**] Term: **14 Years**

The ornamental design for a packing box for infant socks, as shown and described.

[21] Appl. No.: **22,922**

DESCRIPTION

[22] Filed: **May 16, 1994**

[52] U.S. Cl. **D9/423**; D9/422; D9/415

[58] Field of Search D9/423, 415, 432,
D9/418, 341; 206/213, 278, 288, 289, 286,
287, 287.1, 806, 461-471

FIG. 1 is a perspective view of a packing box for infant socks showing my new design;
FIG. 2 is a perspective view thereof; in an open position;
FIG. 3 is a top plan view thereof;
FIG. 4 is a bottom plan view thereof;
FIG. 5 is a front elevational view thereof;
FIG. 6 is a rear elevational view thereof;
FIG. 7 is a left side elevational view thereof;
FIG. 8 is a right side elevational view thereof; and,
FIG. 9 is a sectional elevational view thereof; taken along line 9-9 of FIG. 5.

[56] References Cited

U.S. PATENT DOCUMENTS

D. 318,013	7/1991	Elliott	D9/415
D. 329,808	9/1992	Giraud	D9/415
D. 343,356	1/1994	Wittman	D9/415
2,862,586	12/1958	Davis	206/287.1
3,126,076	3/1964	Koffler	206/287.1
3,335,826	8/1967	Swirles	206/287.1
4,901,897	2/1990	Briggs et al.	206/287.1 X

The broken line showing of infant socks is for illustrative purpose only and forms no part of the design.

1 Claim, 5 Drawing Sheets

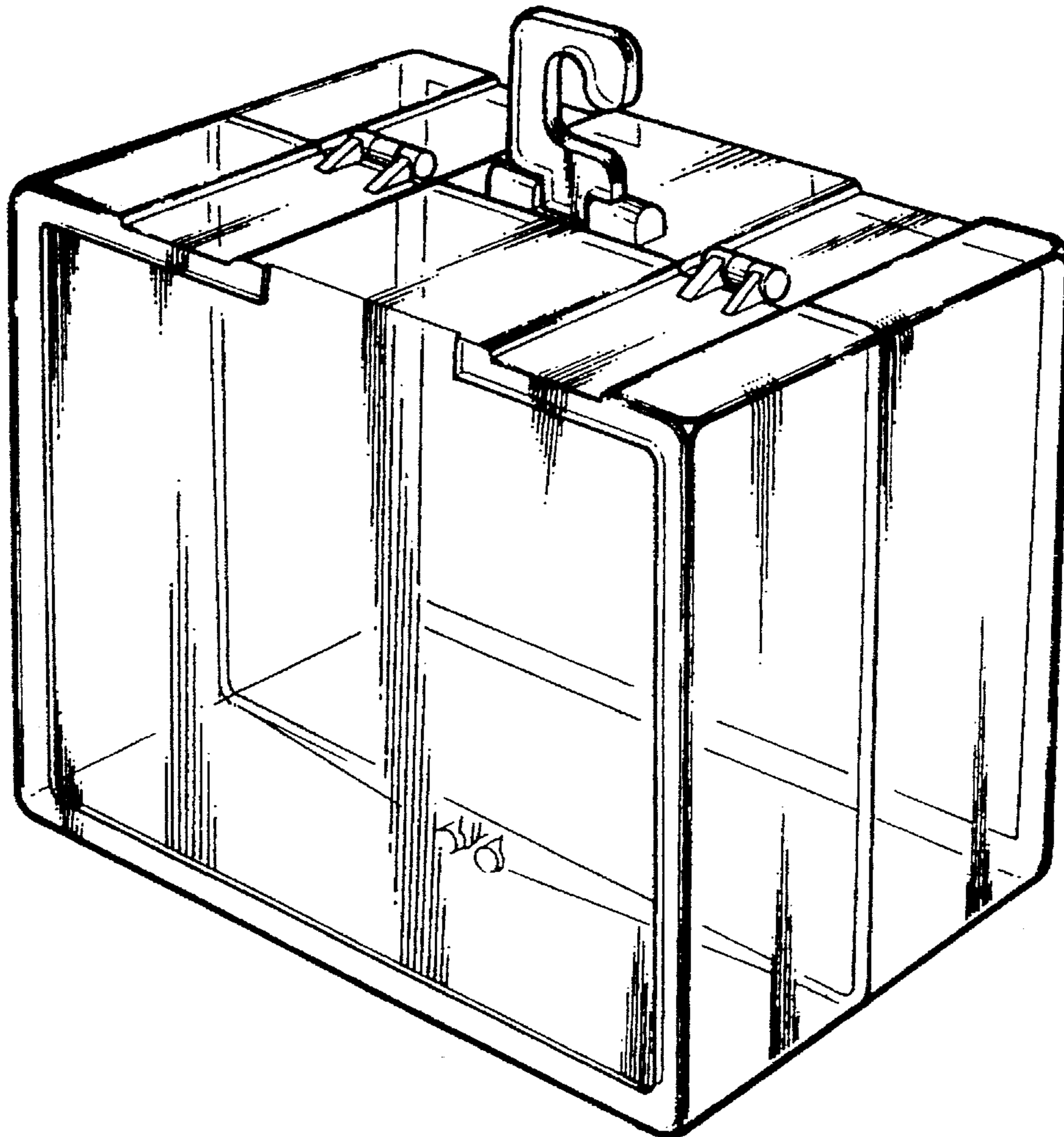


Fig. 1

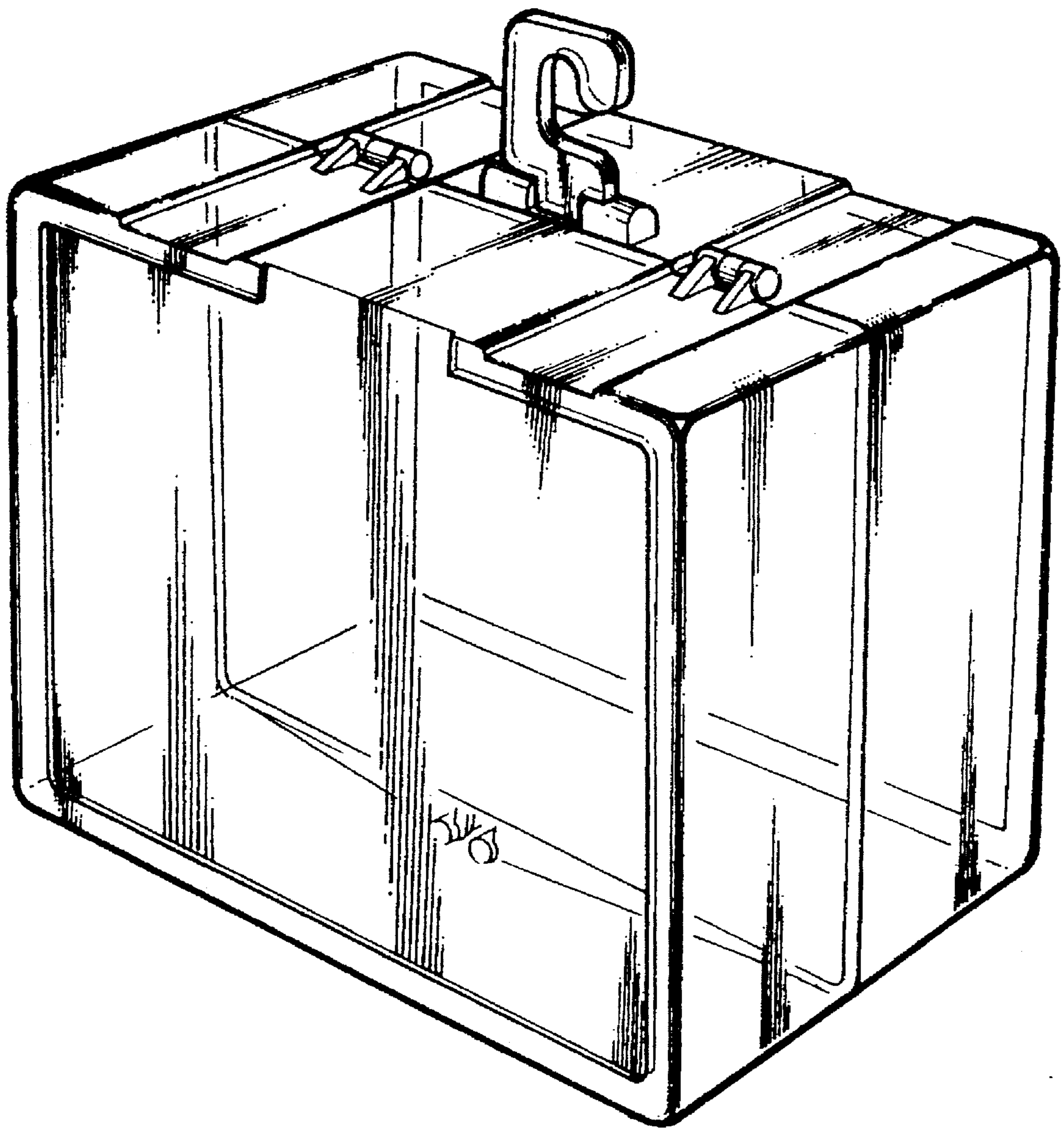


Fig. 2

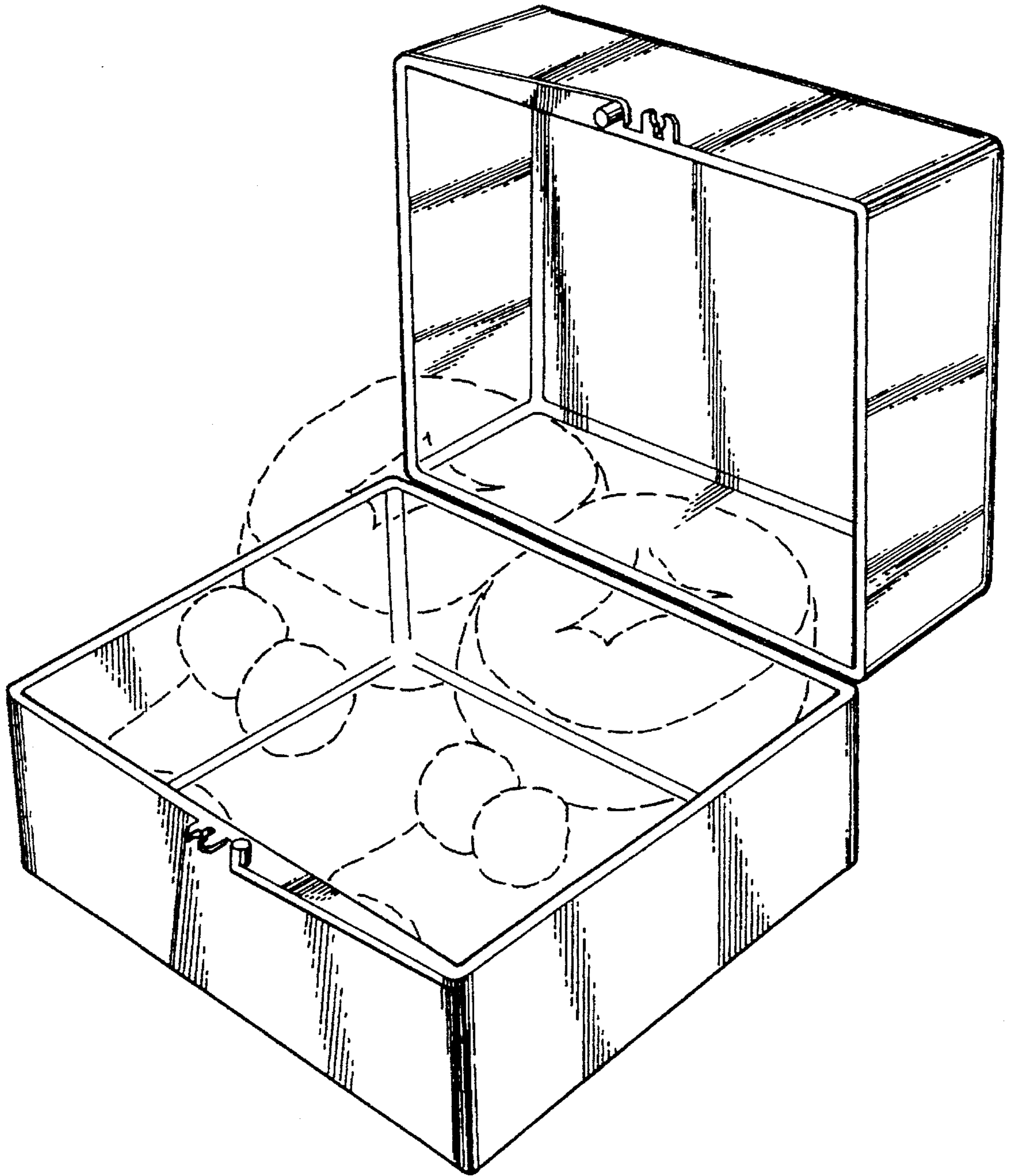


Fig. 3

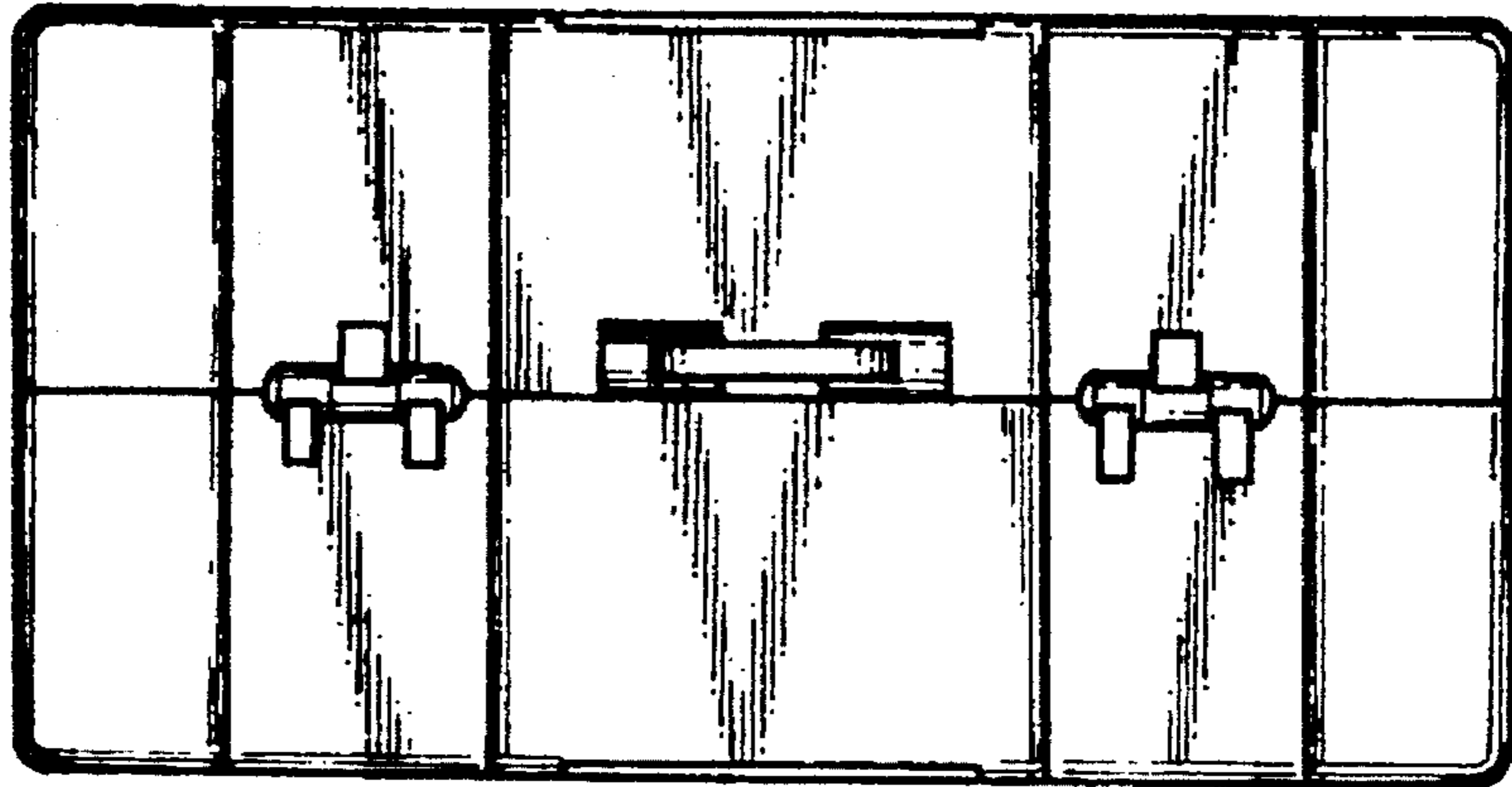


Fig. 4

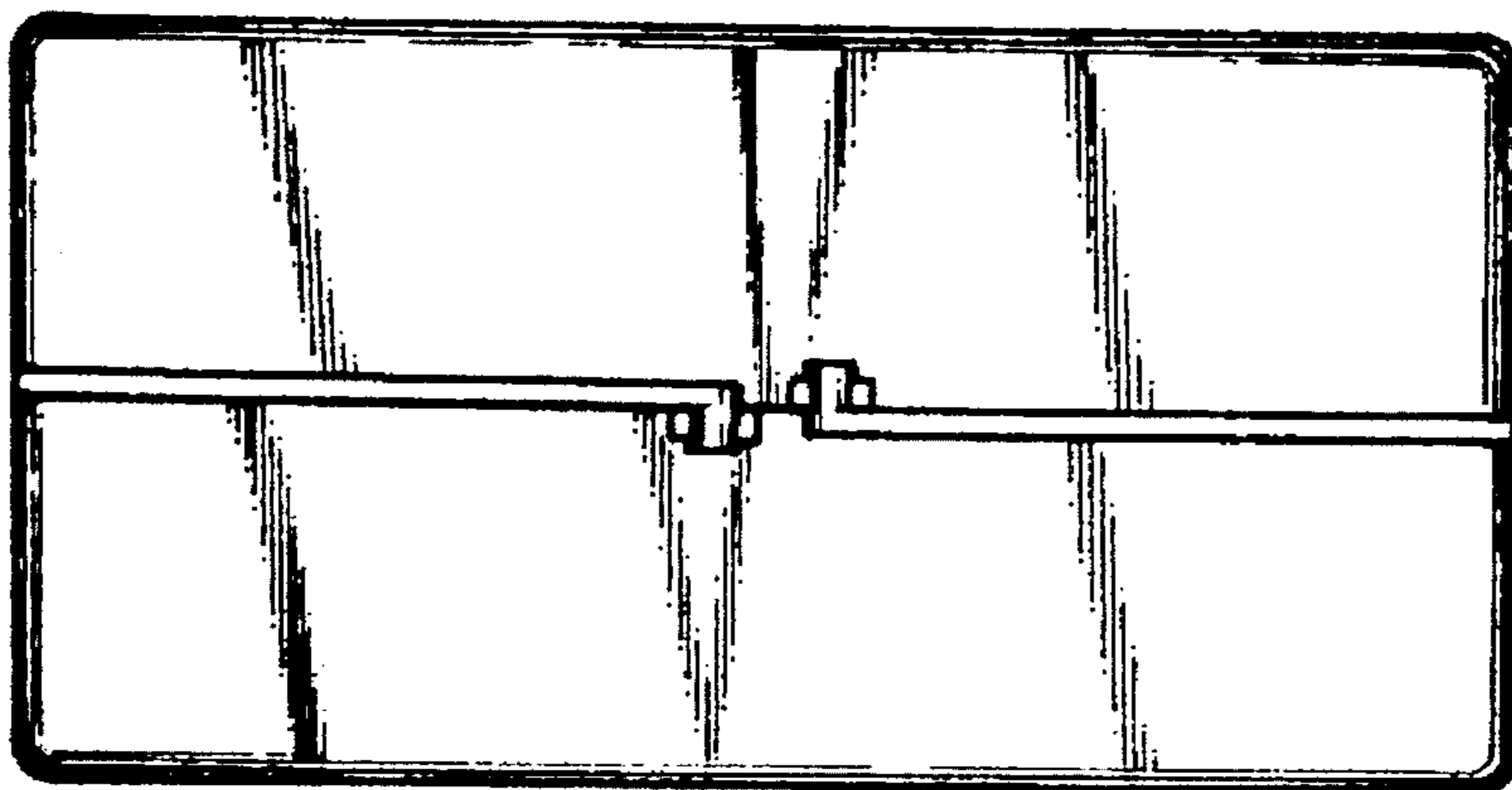


Fig. 5

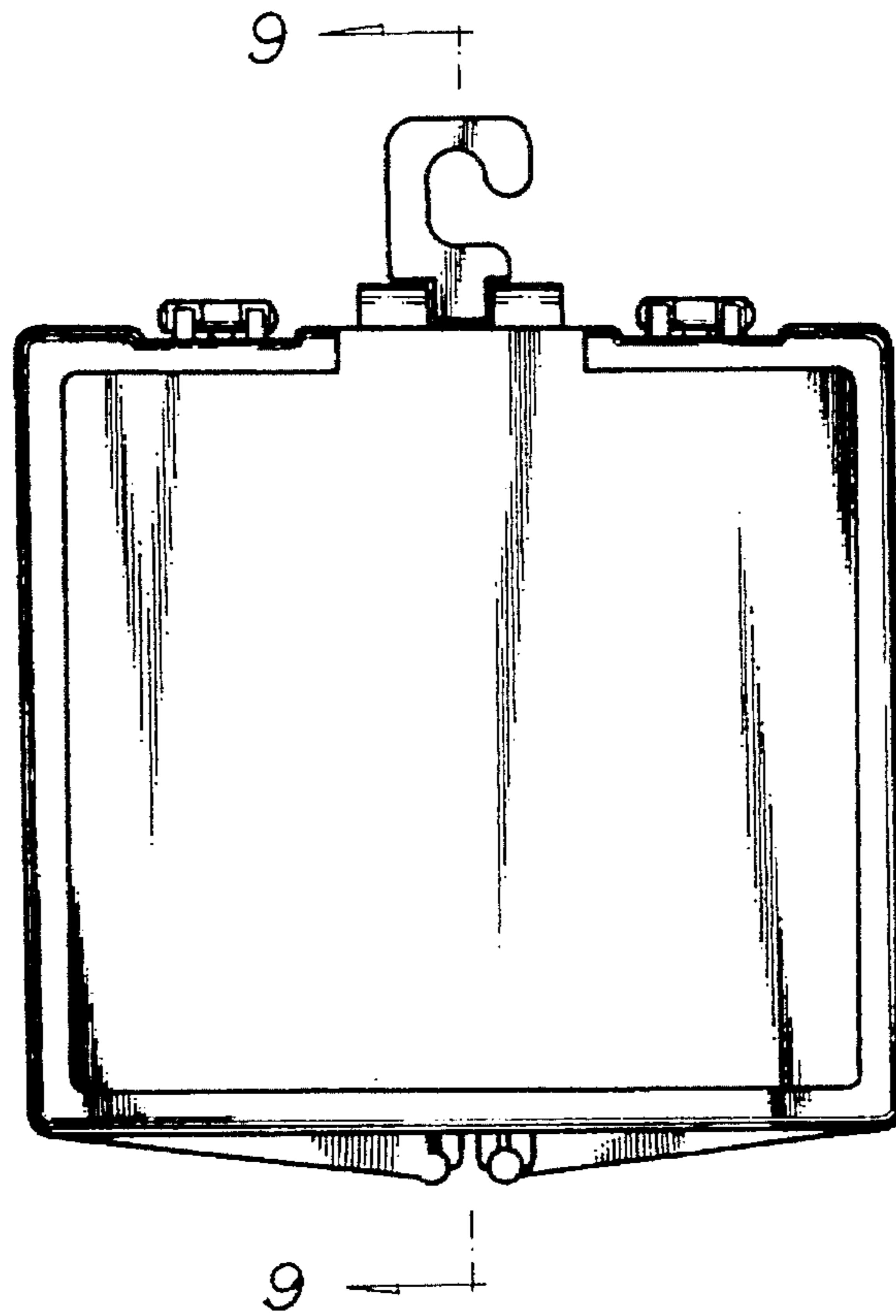


Fig. 6

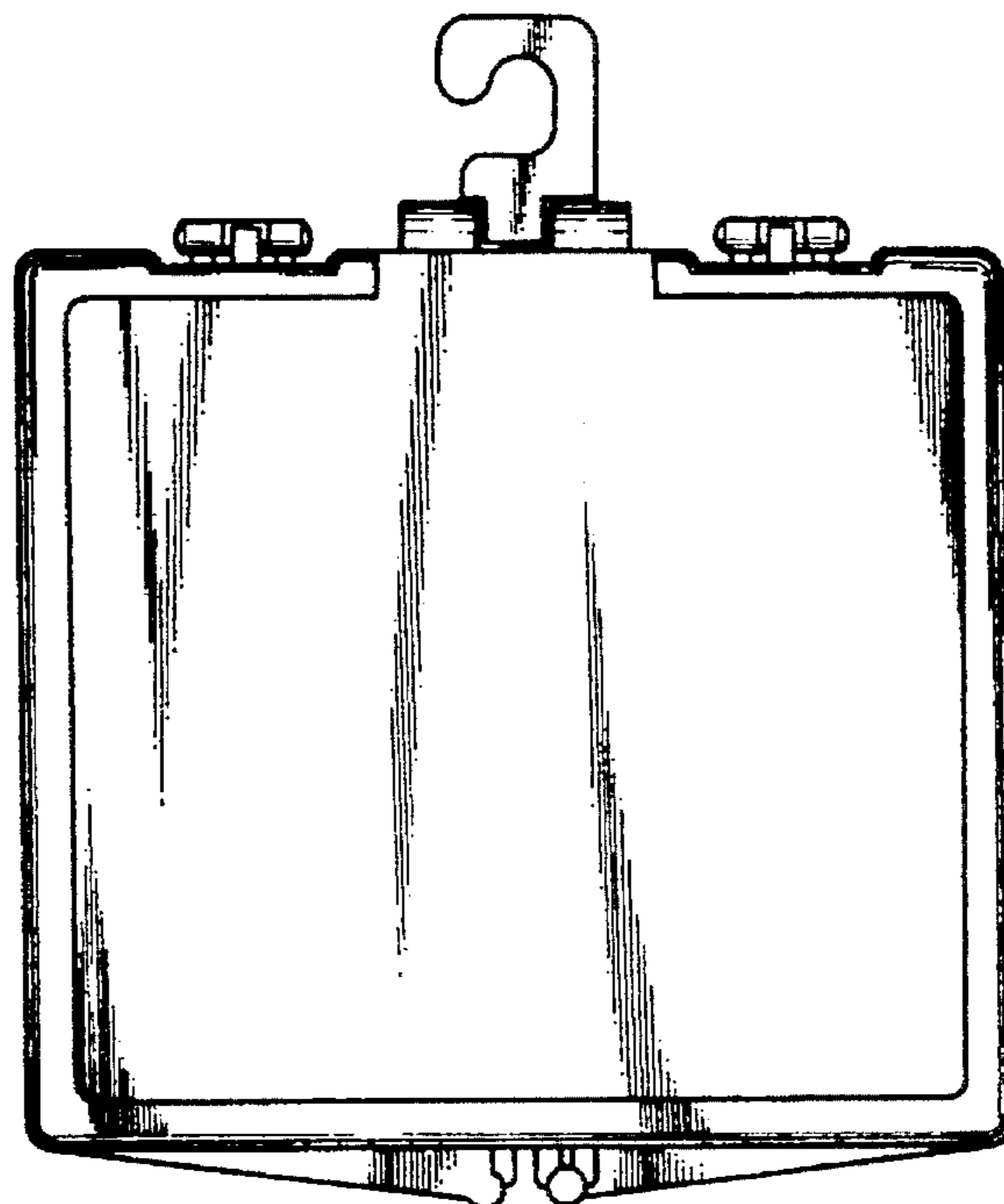


Fig. 7

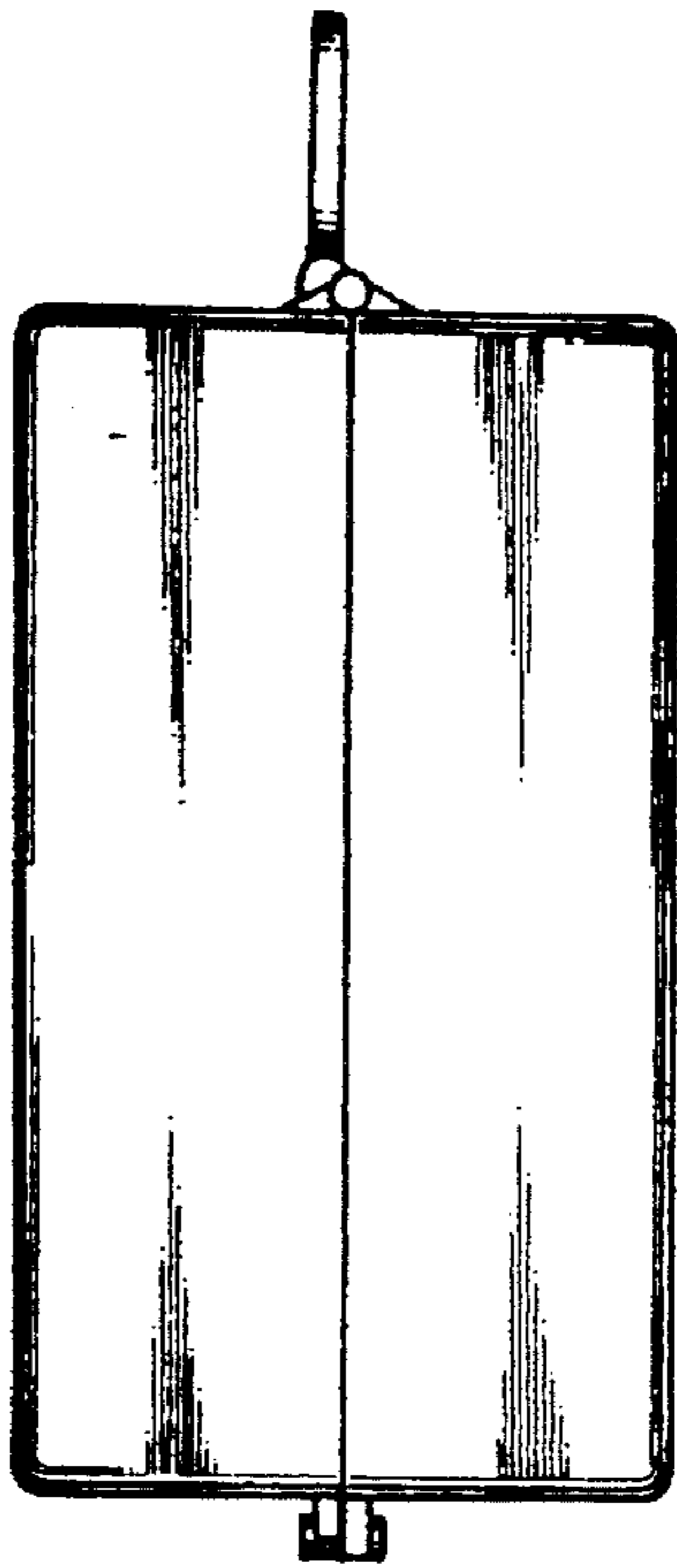


Fig. 8

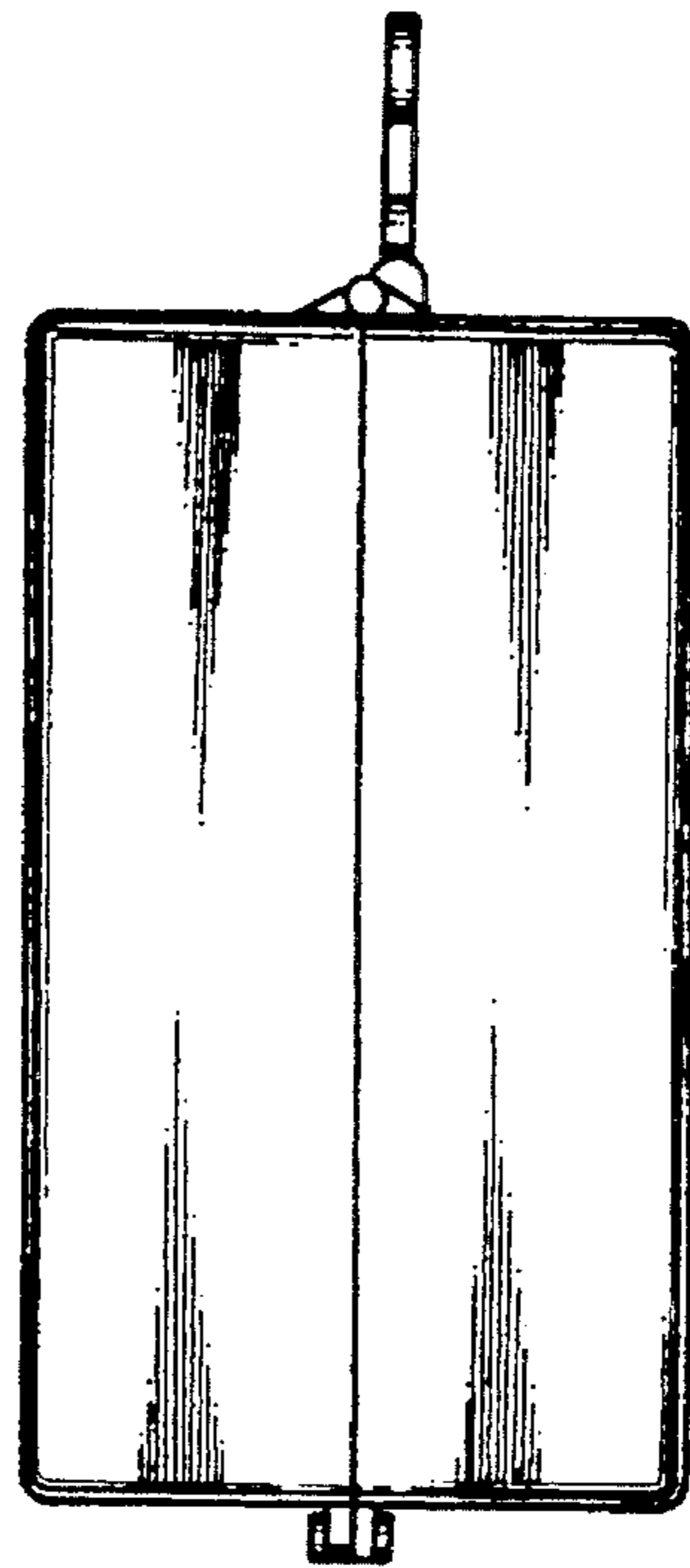


Fig. 9

