



US00D362800S

United States Patent [19]

[11] Patent Number: **Des. 362,800**

Sherman et al.

[45] Date of Patent: ****Oct. 3, 1995**

[54] COMBINED BOTTLE AND CLOSURE

5,232,108 8/1993 Nakamura 215/6
5,242,066 9/1993 Kelsey 215/1 C

[75] Inventors: **Adam Sherman**, Brooklyn, N.Y.;
James C. McKinney, Cranbury, N.J.

FOREIGN PATENT DOCUMENTS

[73] Assignee: **Colgate-Palmolive Co.**, New York,
N.Y.

0379627 8/1990 European Pat. Off. 222/135
1341361 9/1963 France .
2430791 7/1978 France .
3003120 7/1981 Germany .
3740186 3/1989 Germany .
4738064 3/1968 Japan .
59-253345 8/1984 Japan .
280390 6/1987 Japan .
223439 3/1990 Japan .
3236932 10/1991 Japan .
1486416 6/1989 U.S.S.R. .
873955 8/1961 United Kingdom .
2067517 7/1981 United Kingdom .

[**] Term: **14 Years**

[21] Appl. No.: **28,751**

[22] Filed: **Sep. 21, 1994**

[52] U.S. Cl. **D9/341; D9/539; D9/542**

[58] Field of Search **D9/341, 347, 537,**
D9/538, 539, 540, 541, 542, 543, 557;
222/213, 211, 145, 135, 478, 481, 158,
159, 144.5; 215/1 R, 1 C, 6, 10

Primary Examiner—Lucy Lieberman
Attorney, Agent, or Firm—Michael J. McGreal; Robert C. Sullivan

[56] References Cited

U.S. PATENT DOCUMENTS

D. 199,277 9/1964 Buxin D9/542
D. 246,028 10/1977 McNab D9/541 X
D. 264,312 5/1982 Ruriani D9/542
D. 308,337 6/1990 Weckman D9/542
D. 316,815 5/1991 Kalin et al. D9/542
2,559,446 6/1952 Greene 222/205
2,876,935 3/1959 Lindberg 222/145
2,918,698 12/1959 Hagen et al. 18/5
3,076,573 2/1963 Thomas 215/6
3,089,623 5/1963 Padzieski 222/205
3,141,574 7/1964 Donoghue 222/157
3,197,071 7/1965 Kuster 215/6 X
3,246,807 4/1966 Micallef 222/207
3,347,420 10/1967 Donoghue 222/129
3,474,927 10/1969 Bowles 215/1
3,581,940 6/1971 Cella 222/194
3,581,953 6/1971 Donoghue 222/207
3,729,553 4/1973 Gold et al. 424/44
3,767,088 10/1973 Deussen 222/205
4,065,536 12/1977 Lucas 264/98
4,070,140 1/1978 Lucas et al. 425/533
4,077,547 3/1978 Donoghue 222/207
4,217,328 8/1980 Cambio, Jr. 264/504
4,279,349 7/1981 Aigner 215/6
4,625,897 12/1986 Wortley 222/205
4,971,226 11/1990 Donoghue 222/207
5,119,971 6/1992 Reyman 222/129

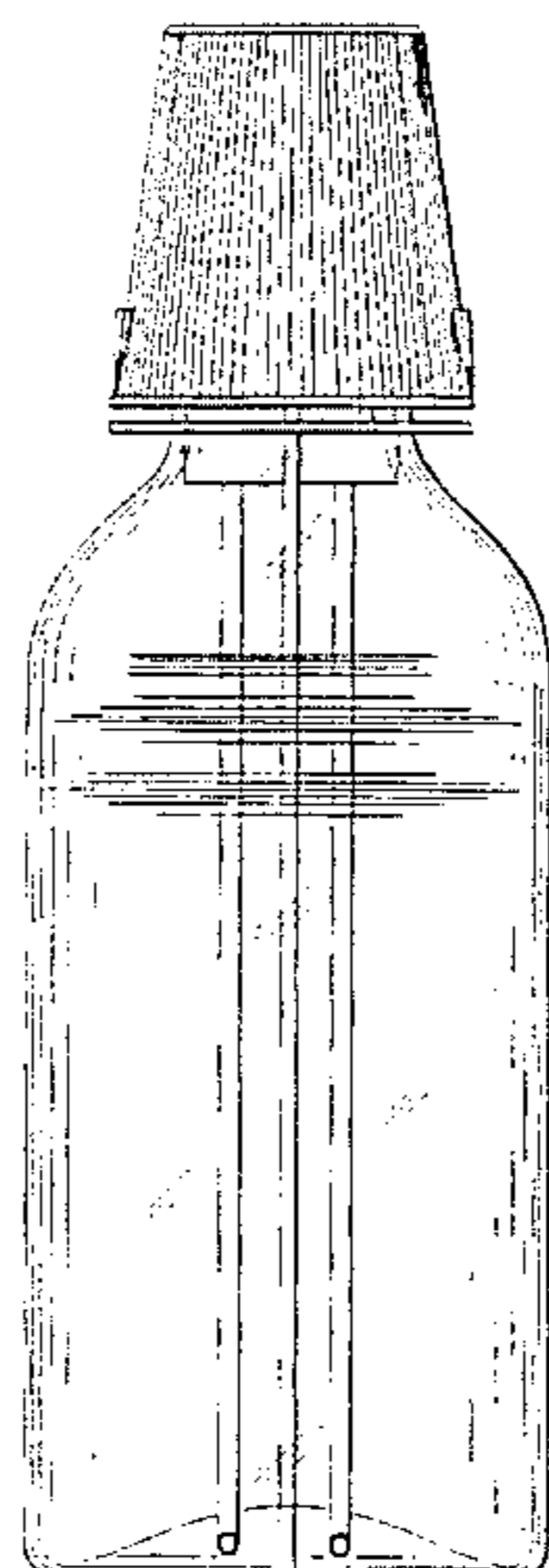
[57] CLAIM

The ornamental design for a combined bottle and clousre, as shown and described.

DESCRIPTION

FIG. 1 is a perspective view of the combined bottle and closure of our ornamental design;
FIG. 2 is a right side elevation, the left side elevation is a mirror image thereto;
FIG. 3 is a front elevation thereof, the rear elevation is the same except for the position of the internally extending dispensing tubes;
FIG. 4 is a top plan view thereof;
FIG. 5 is a bottom plan thereof;
FIG. 6 is a fragmentary perspective view of the bottle shown without the closure for clarity of illustration, the portion of the bottle not shown being the same as FIG. 3;
FIG. 7 is a fragementary front elevation of FIG. 6, the rear is the same except for the conventional screw threading on the bottle neck;
FIG. 8 is a fragmentary left side elevation of FIG. 6, the right side is the same except for the conventional screw threading on the neck; and,
FIG. 9 is a top plan view of the bottle of FIG. 6.

1 Claim, 7 Drawing Sheets



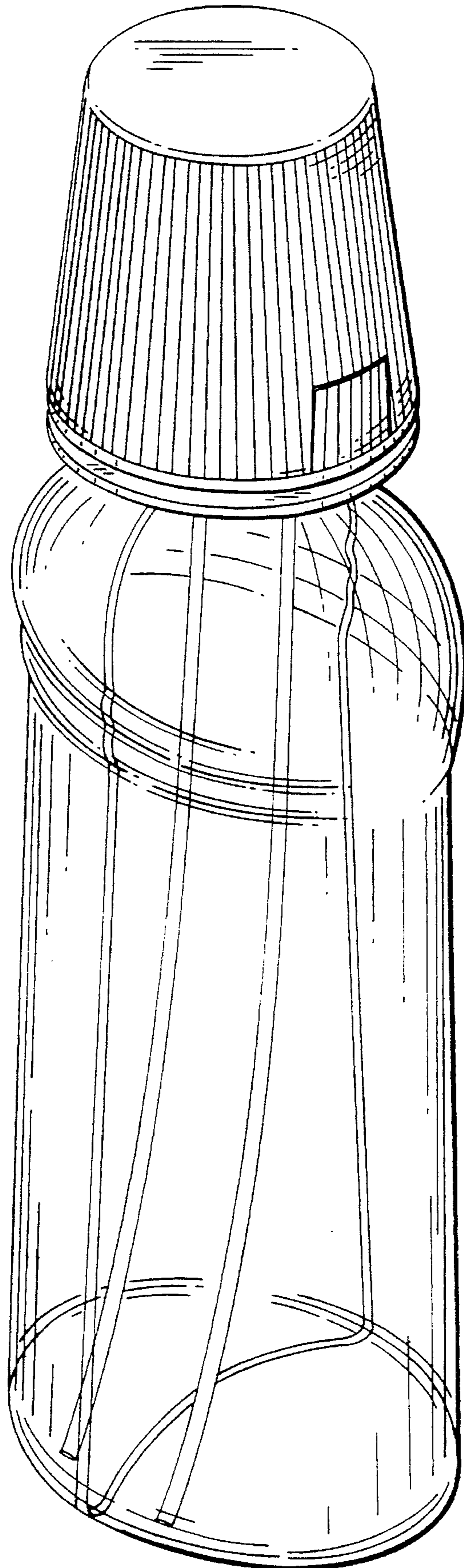


FIG. 1

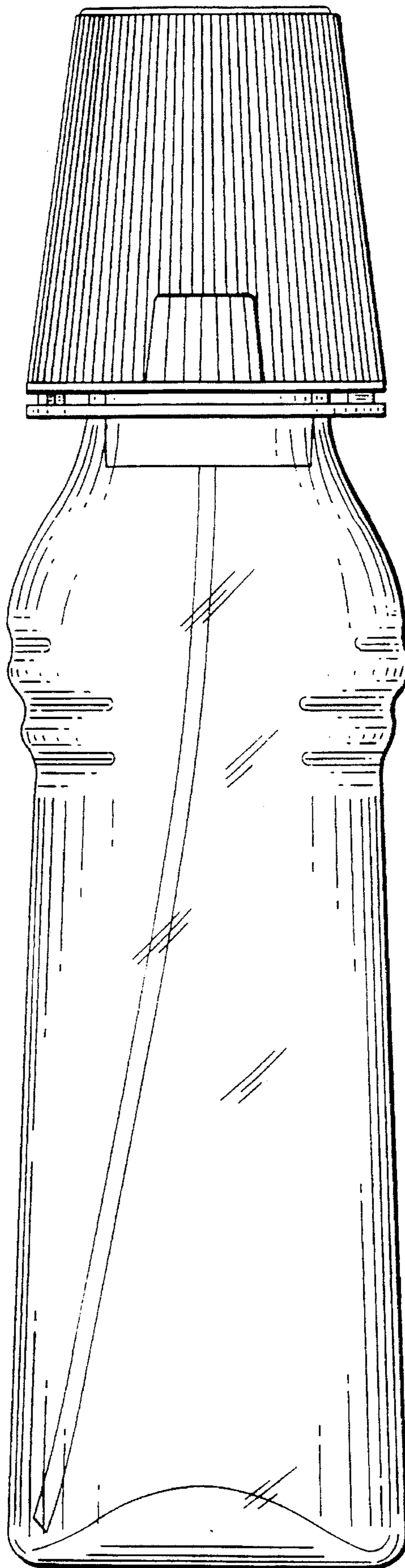


FIG. 2

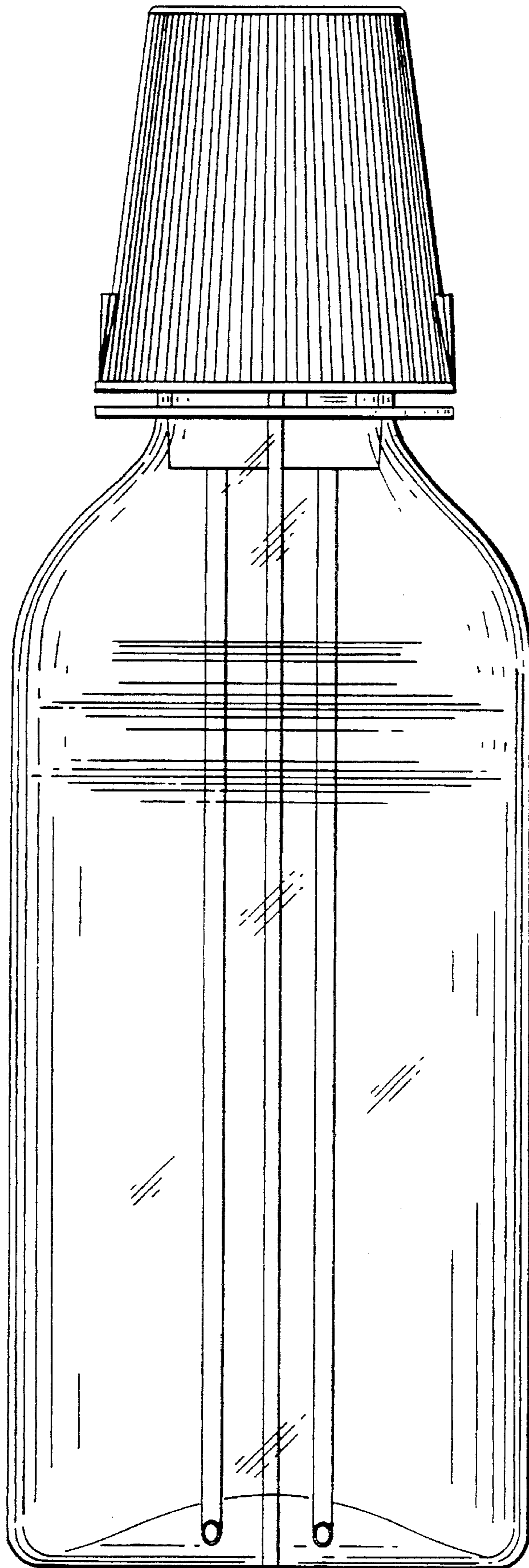


FIG. 3

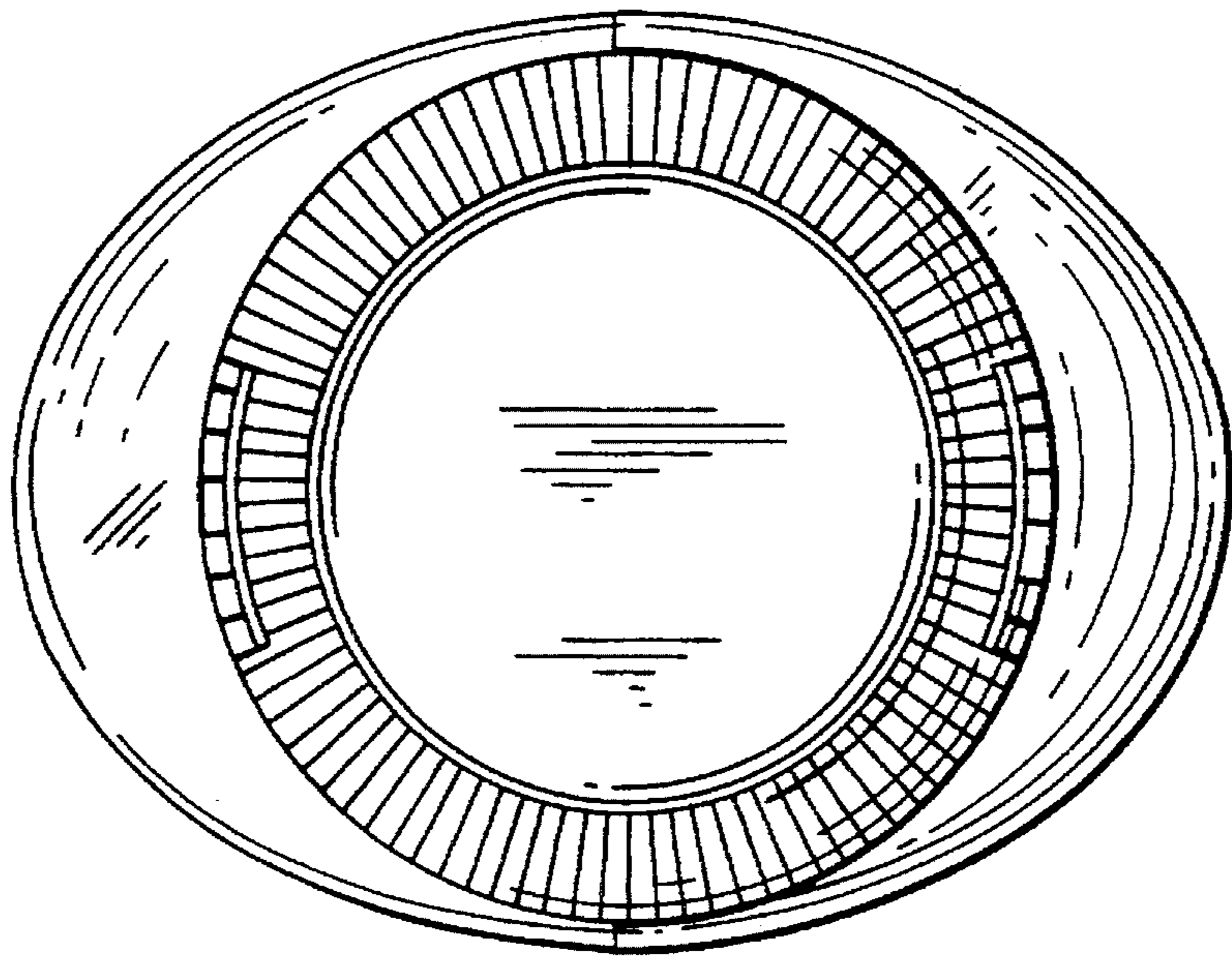


FIG. 4

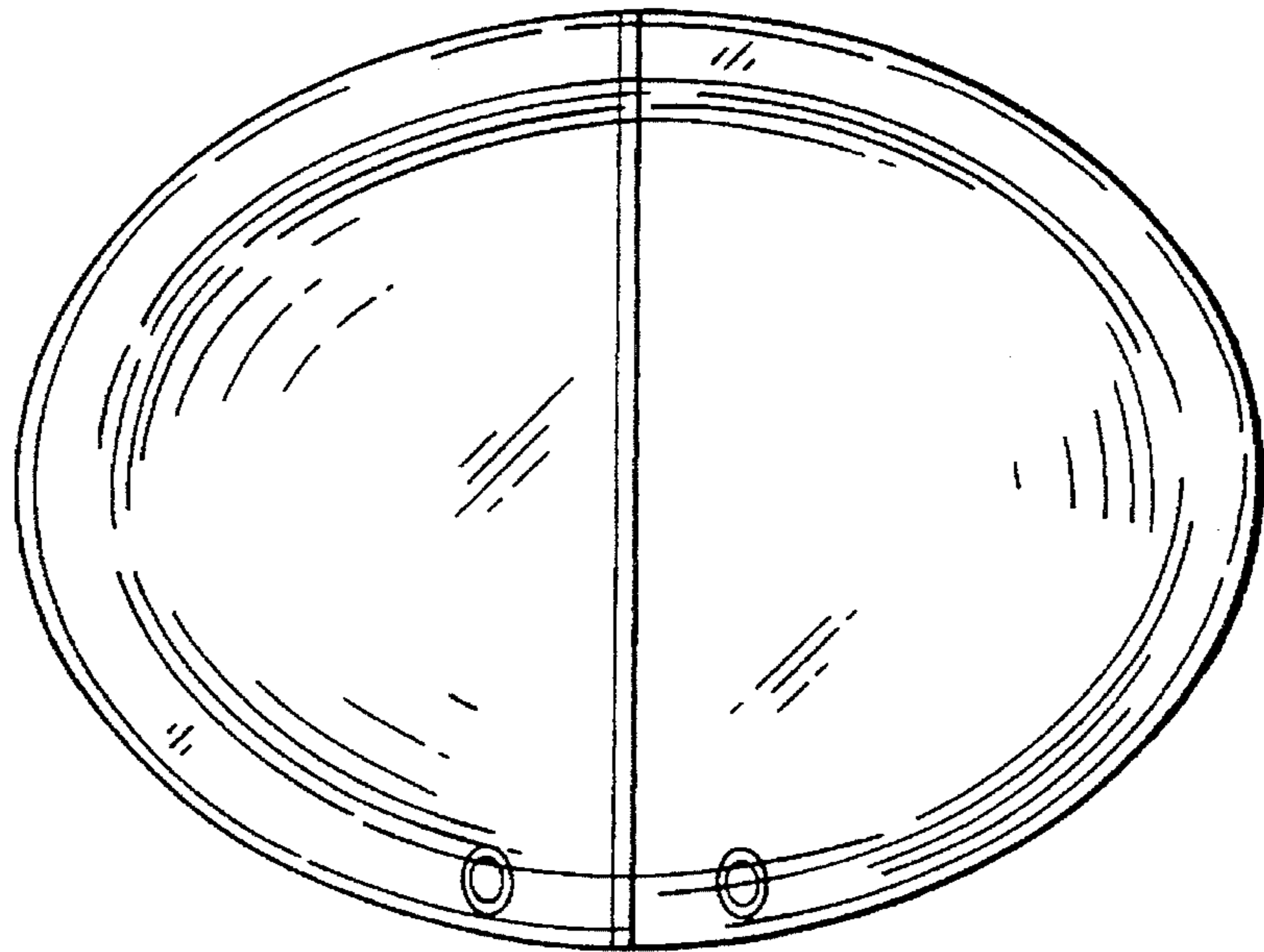


FIG. 5

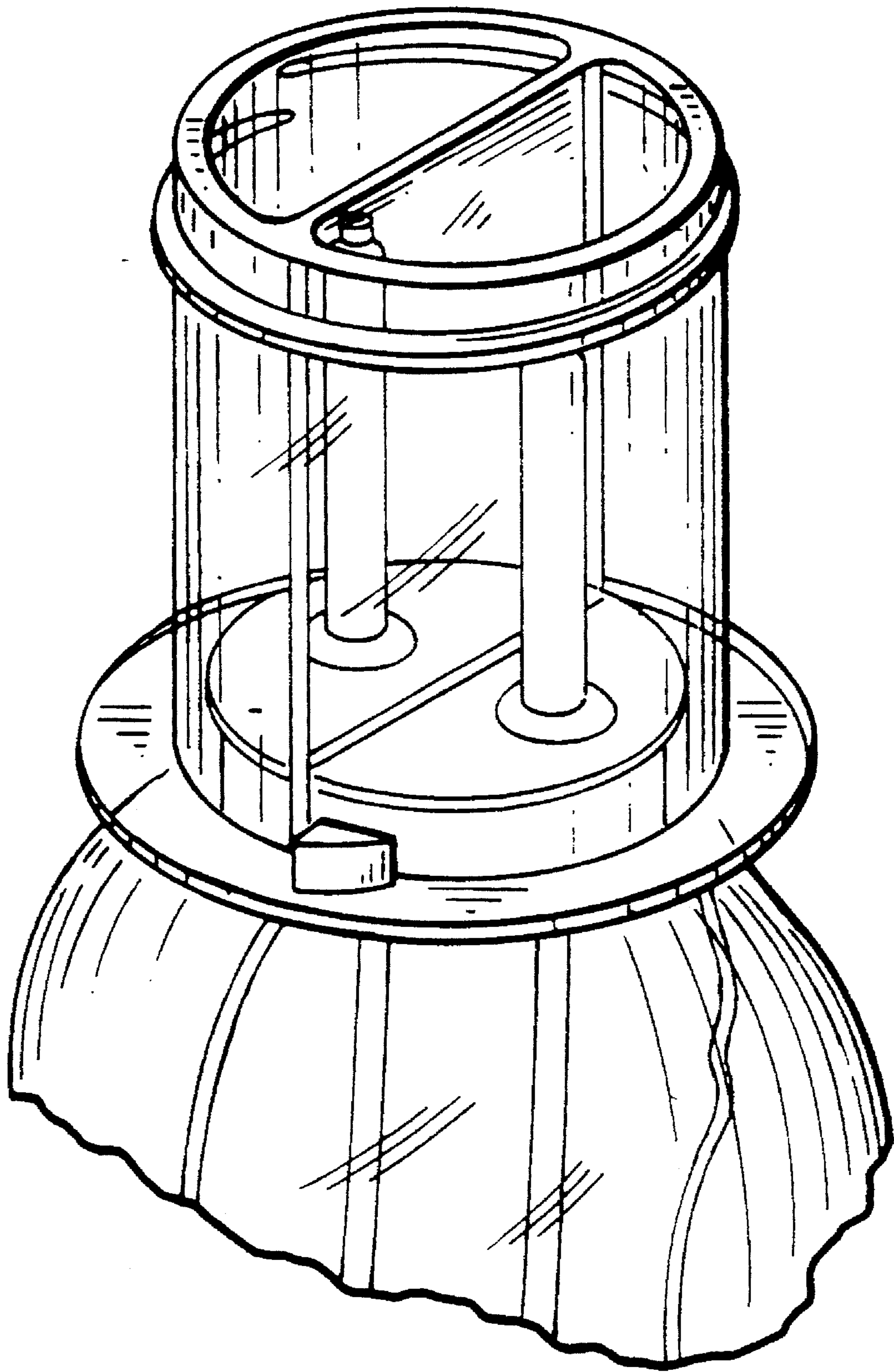


FIG. 6

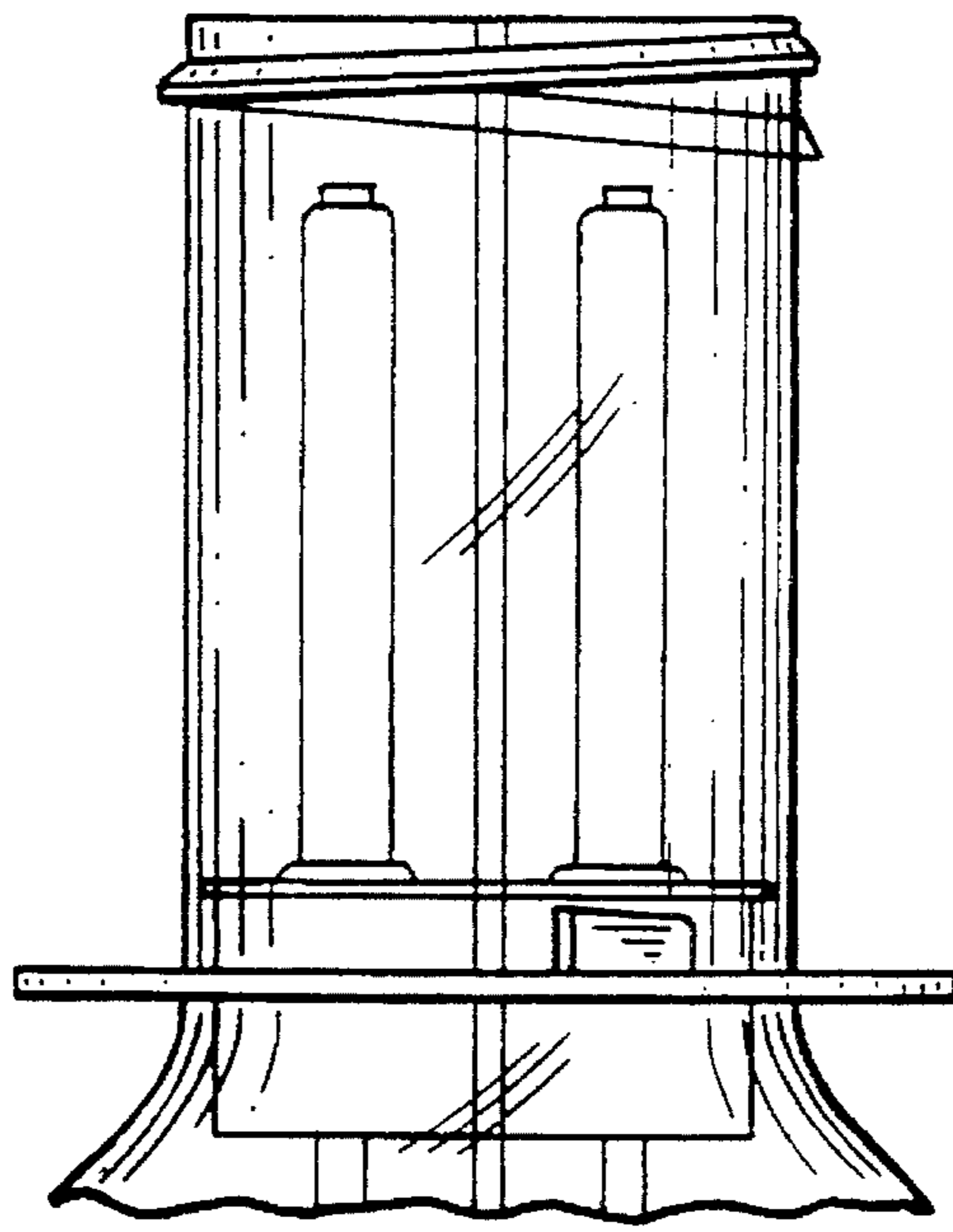


FIG. 7

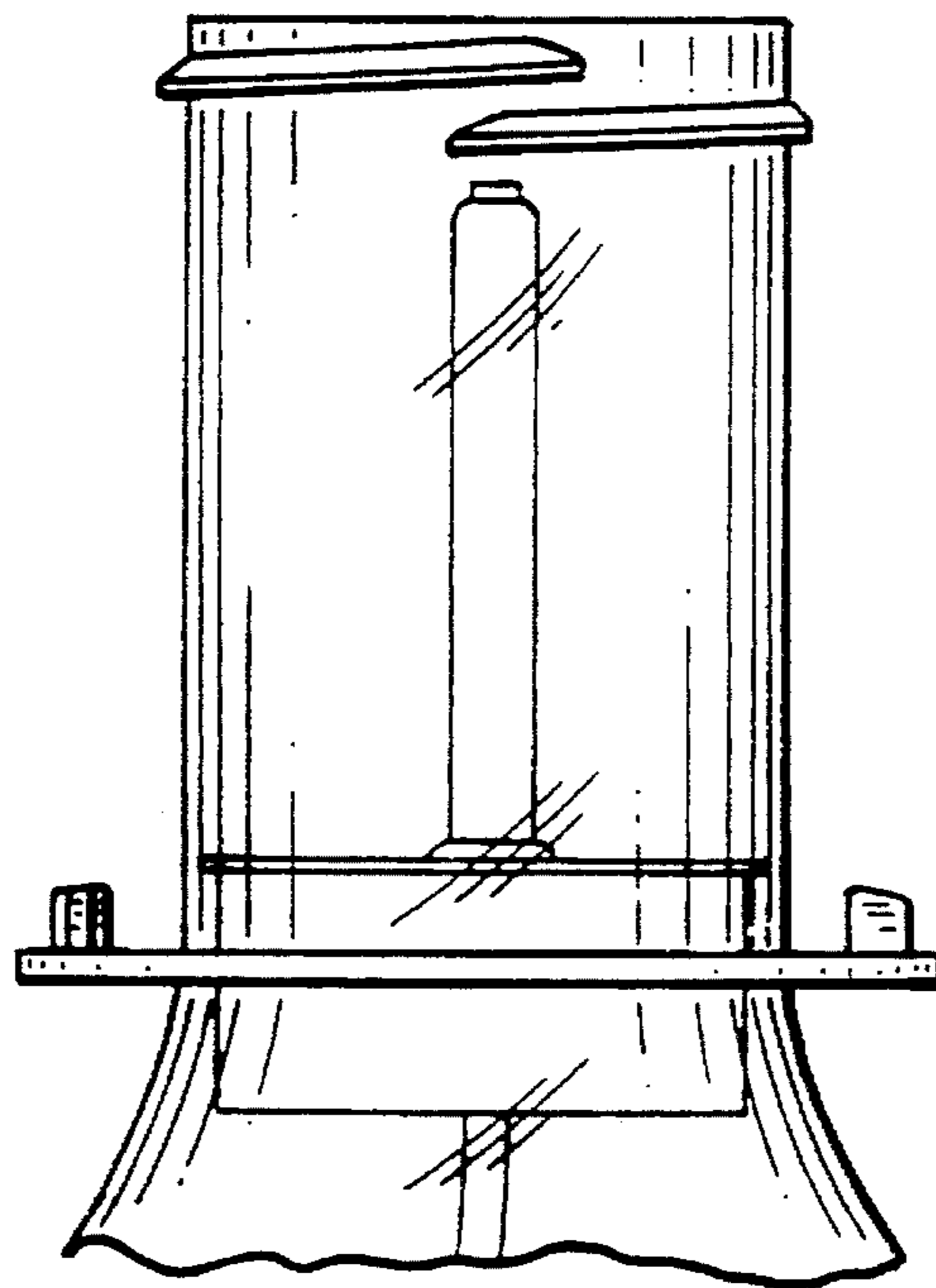


FIG. 8

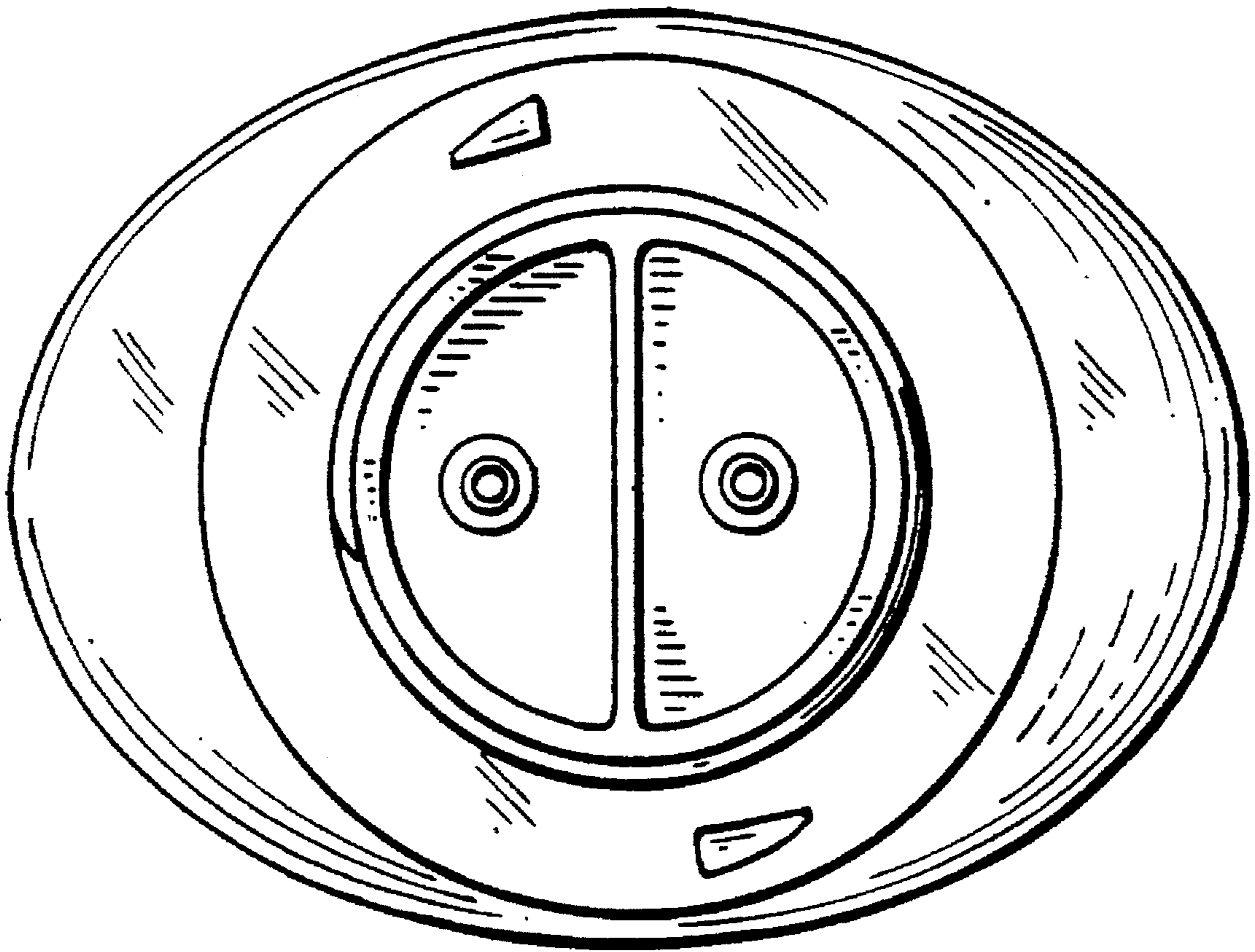


FIG.9