



US00D362797S

# United States Patent [19]

[11] Patent Number: **Des. 362,797**

**Caracciolo**

[45] Date of Patent: **\*\*Oct. 3, 1995**

[54] **CRIME SCENE TAPE CADDY AND TAPE THEREFOR**

*Attorney, Agent, or Firm*—Herbert L. Lerner; Laurence A. Greenberg

[76] Inventor: **Ted Caracciolo**, 11050 Springfield Pl., Cooper City, Fla. 33026-4852

[57] **CLAIM**

[\*\*] Term: **14 Years**

The ornamental design for the crime scene tape caddy and tape therefor, as shown and described.

[21] Appl. No.: **30,214**

### DESCRIPTION

[22] Filed: **Oct. 24, 1994**

[52] U.S. Cl. .... **D8/359**

[58] Field of Search ..... D8/358-359; 242/345, 242/405.3, 129, 128, 598.5

FIG. 1 is a front-elevational view of my novel crime scene tape caddy and tape therefor;

FIG. 2 is a rear-elevational view thereof;

FIG. 3 is a bottom-plan view thereof;

FIG. 4 is a top-plan view thereof;

FIG. 5 is a left-side elevational view thereof;

FIG. 6 is a right-side elevational view thereof; and,

FIG. 7 is a top-plan view showing the caddy with a full supply of crime scene tape.

The broken line showing of a latch is for illustrative purposes only and forms no part of the claimed design.

The tape is shown removed from the caddy in FIGS. 1-4 for clarity of illustration.

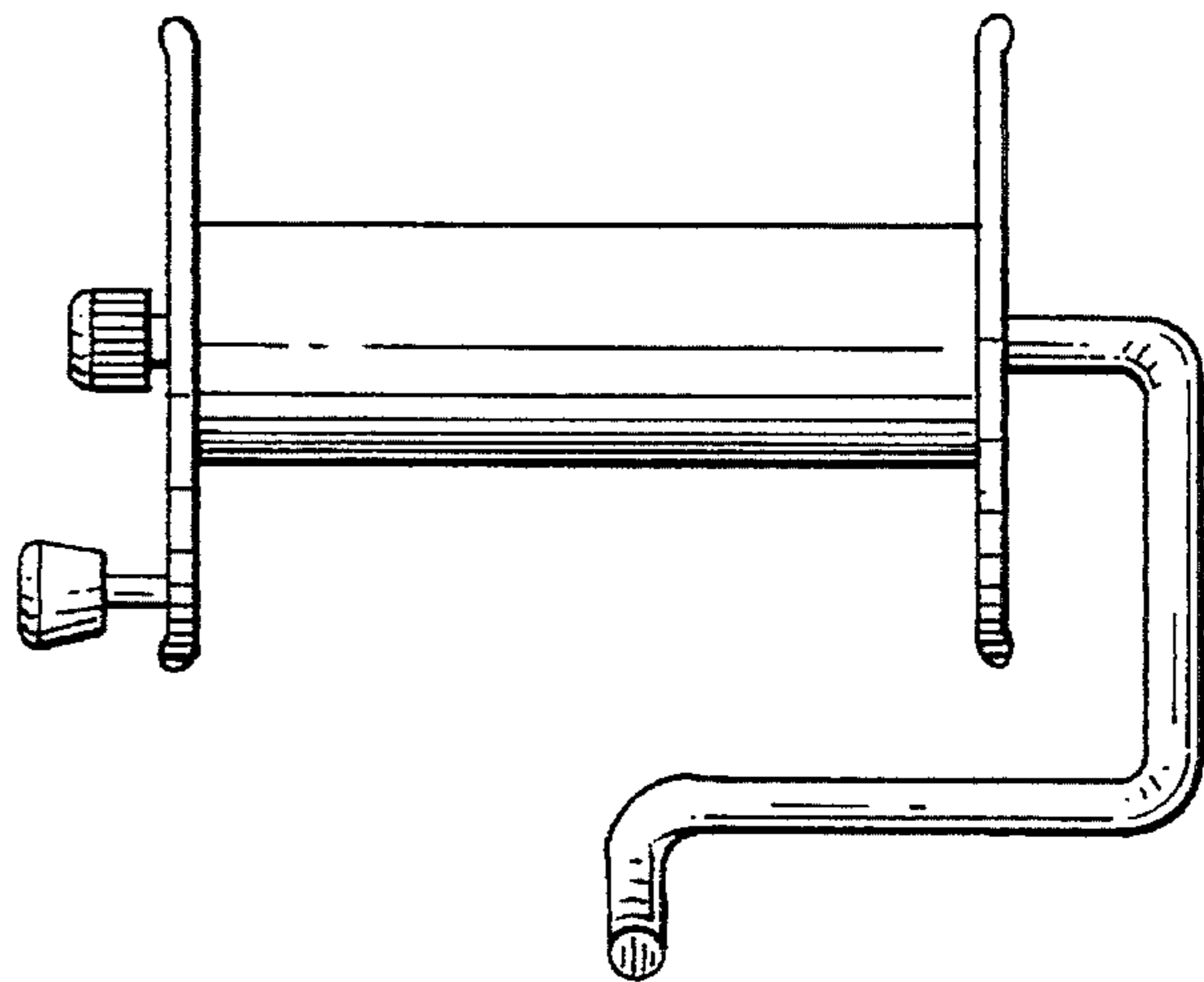
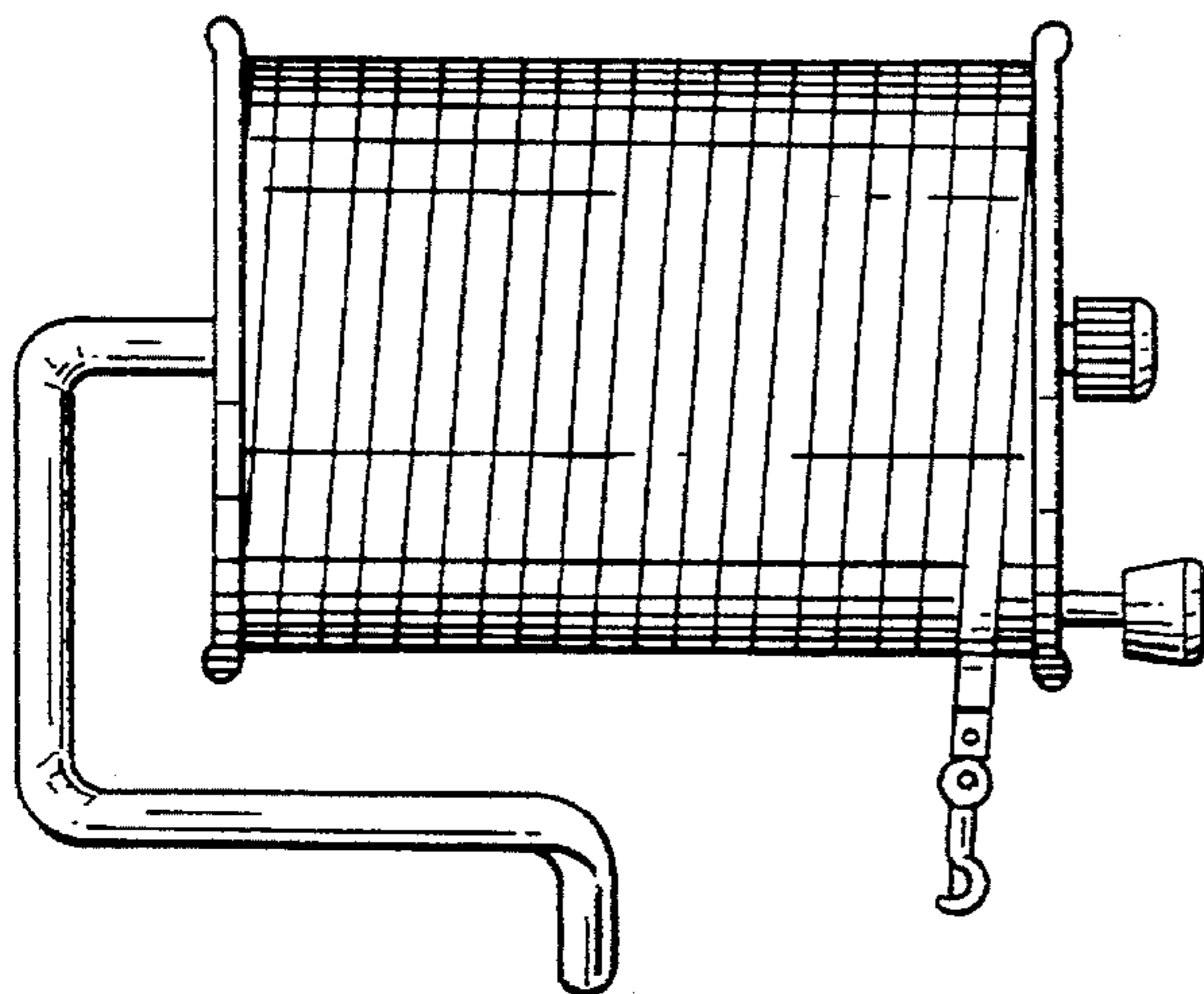
### [56] References Cited

#### U.S. PATENT DOCUMENTS

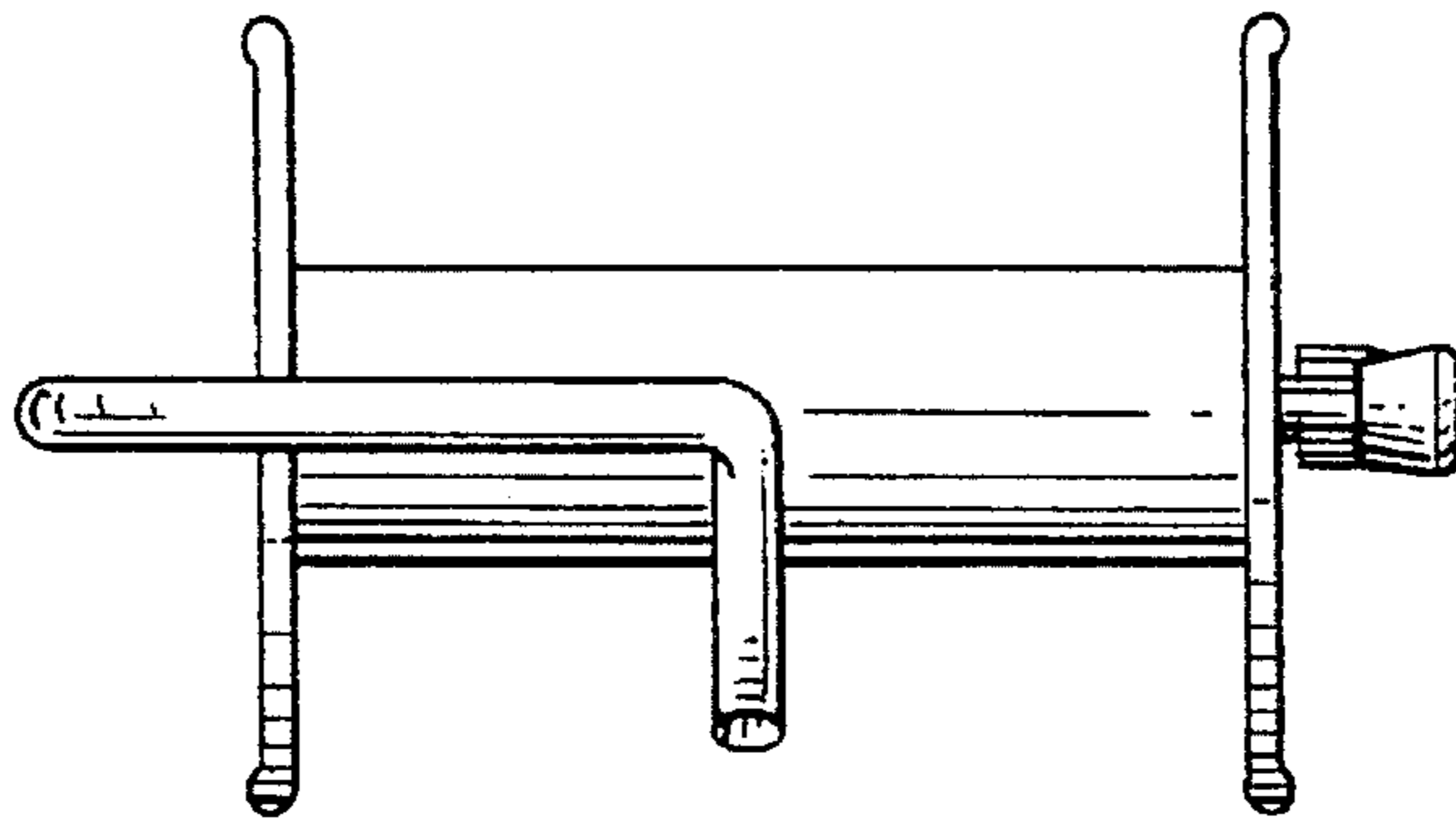
|            |         |               |       |             |
|------------|---------|---------------|-------|-------------|
| D. 247,218 | 2/1978  | Barber        | ..... | D8/359      |
| 2,805,290  | 9/1957  | Wentsel       | ..... | 242/405.3 X |
| 3,357,654  | 12/1967 | Losman et al. | ..... | 242/405.3   |
| 3,481,557  | 12/1969 | Miller        | ..... | 242/405.3 X |
| 4,129,273  | 12/1978 | Hill          | ..... | 242/405.3 X |

*Primary Examiner*—A. Hugo Word  
*Assistant Examiner*—Holly Baynham

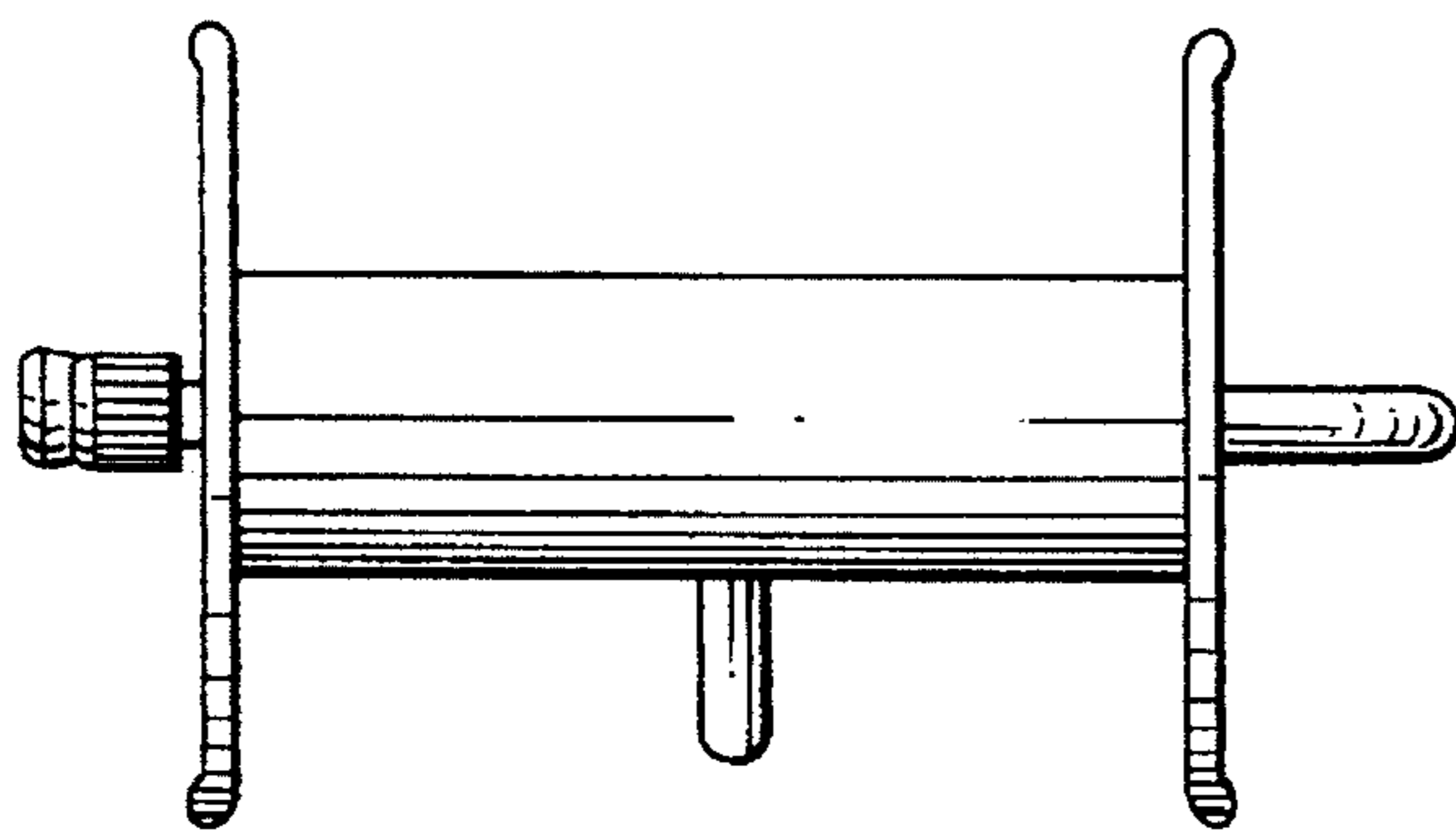
**1 Claim, 2 Drawing Sheets**



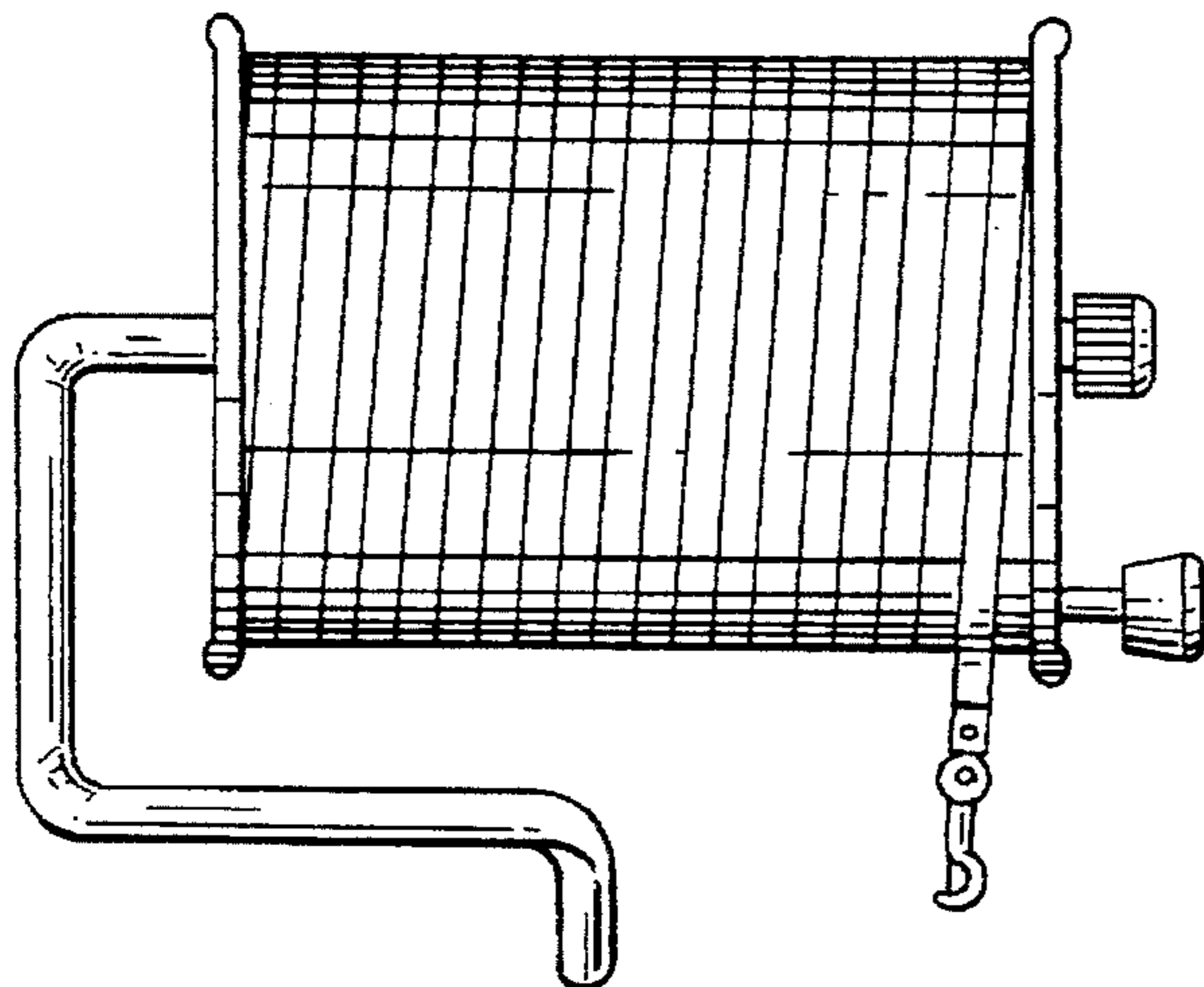
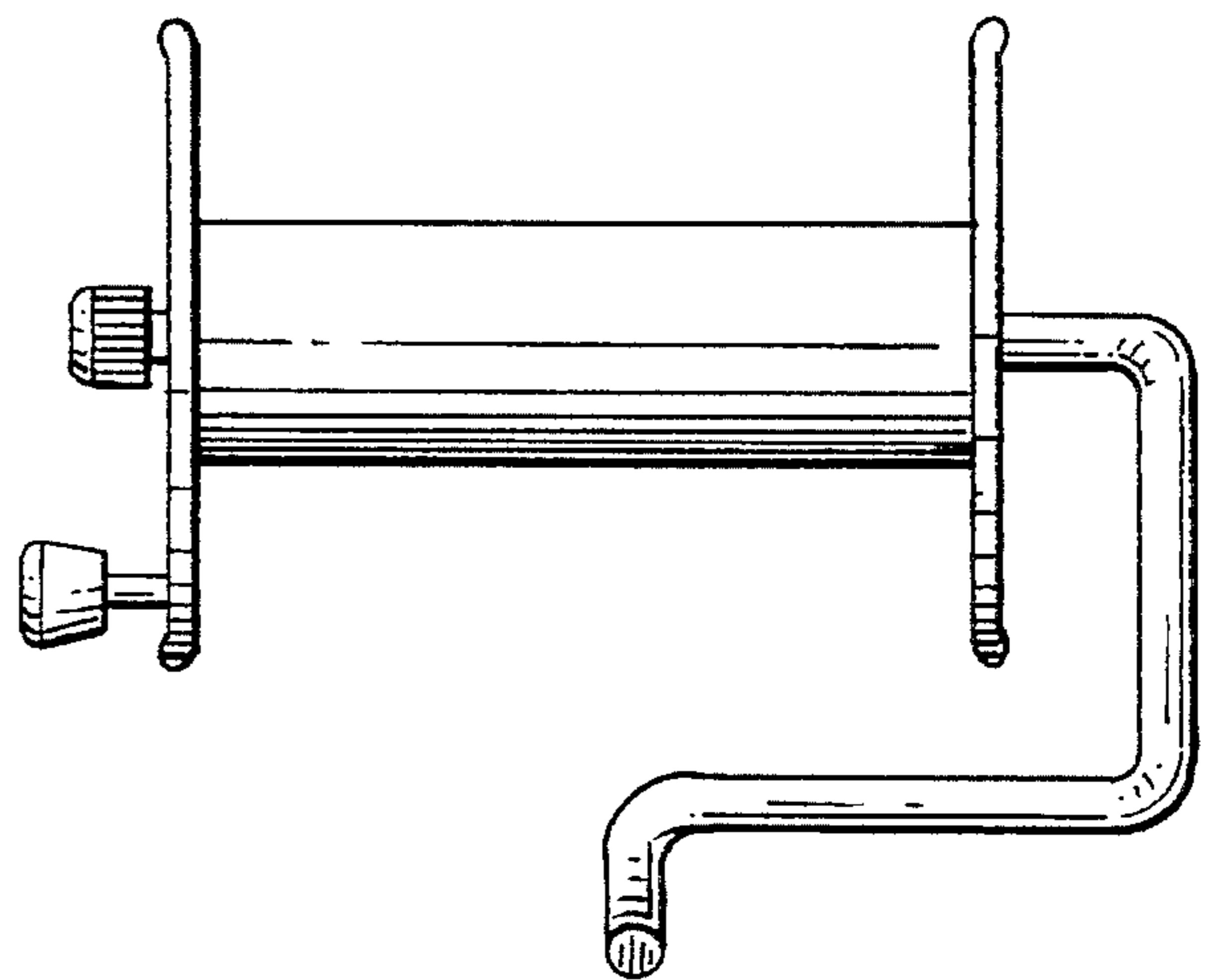
*Fig. 1*



*Fig. 2*

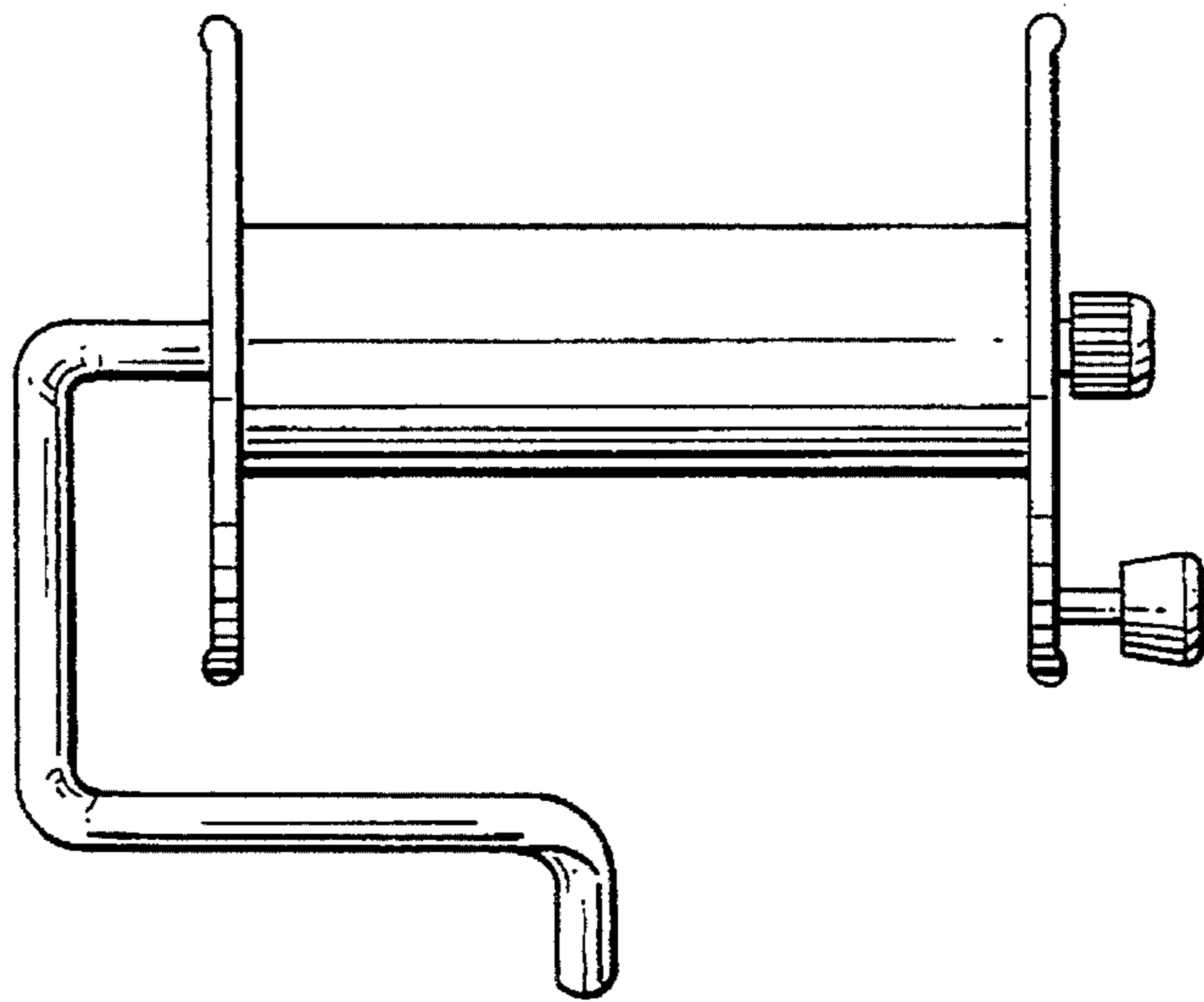


*Fig. 3*

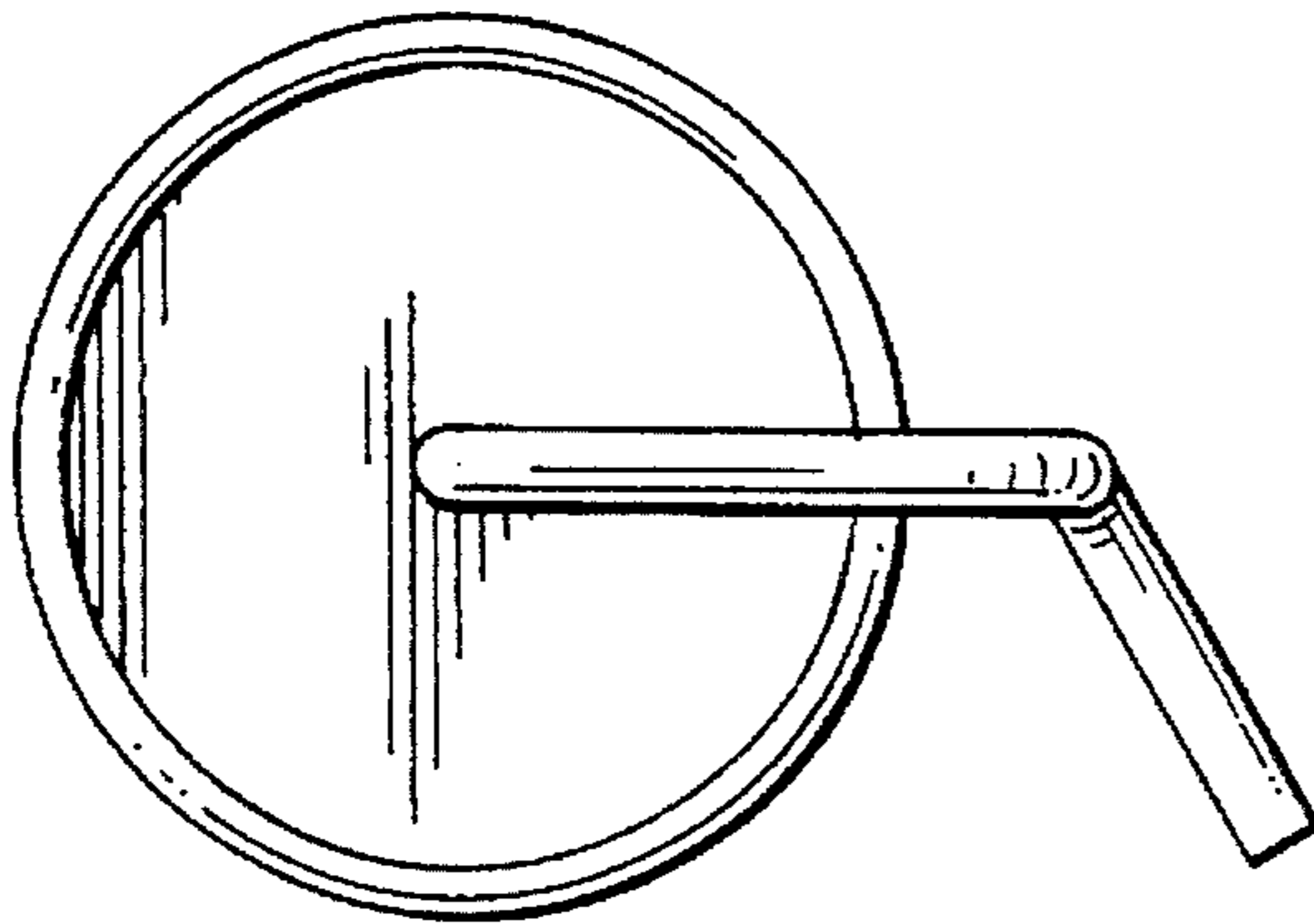


*Fig. 7*

*Fig. 4*



*Fig. 5*



*Fig. 6*

