



US00D362794S

United States Patent [19]

[11] Patent Number: **Des. 362,794**

Carbone et al.

[45] Date of Patent: ****Oct. 3, 1995**

[54] **COMBINED CAN OPENER AND KNIFE SHARPENER**

4,860,455 8/1989 Conneally 30/404
4,979,308 12/1990 Moore 30/400

[75] Inventors: **Richard Carbone**, Southbury, Conn.;
Alvaro Correa, Bridgeman, Mich.

[73] Assignee: **Black & Decker Inc.**, Newark, Del.

[**] Term: **14 Years**

[21] Appl. No.: **15,610**

[22] Filed: **Nov. 22, 1993**

[52] U.S. Cl. **D8/35**

[58] Field of Search D8/33-38; 30/400,
30/408, 410, 416, 419, 420, 424-426

[56] References Cited

U.S. PATENT DOCUMENTS

D. 186,274	10/1959	Rutter et al. .	
D. 191,516	10/1961	Bowlby .	
D. 201,142	5/1965	Talge .	
D. 227,972	7/1973	Eckel .	
D. 236,324	8/1975	Enfield et al.	D8/35
D. 288,277	2/1987	Stowell et al.	D8/36
D. 288,403	2/1987	Steinkamp et al.	D8/36
D. 291,173	8/1987	Stowell et al.	D8/36
D. 296,652	7/1988	Kelly	D8/36
D. 300,201	3/1989	Tsuji	D8/37
D. 301,432	6/1989	Gildersleeve	D8/36
D. 309,086	7/1990	Van Asten	D8/36
D. 317,552	6/1991	McCloskey et al.	D8/36
D. 318,603	7/1991	Hattle et al.	D8/35
3,189,995	6/1965	Hicks et al.	30/410
3,722,089	3/1973	McLean et al.	30/419
4,520,567	6/1985	Crawford	30/424
4,663,849	5/1987	Nickelson	30/298.4

OTHER PUBLICATIONS

HFD, Aug. 1986, p. 43 (Black & Decker's Handy Opener).

Primary Examiner—Prabhakar G. Deshmukh

Assistant Examiner—Adir Aronovich

Attorney, Agent, or Firm—Barry E. Deutsch

[57] CLAIM

The ornamental design for a combined can opener and knife sharpener, as shown and described.

DESCRIPTION

FIG. 1 is a perspective view showing the front, top, and right side of a combined can opener and knife sharpener, in its closed position showing our new design;

FIG. 2 is a front elevational view illustrating the combined can opener and knife sharpener in its open position;

FIG. 3 is a rear elevational view thereof;

FIG. 4 is a left side elevational view thereof;

FIG. 5 is a right side elevational view thereof;

FIG. 6 is a top plan view thereof;

FIG. 7 is a bottom plan view thereof;

FIG. 8 is a front elevational view of the combined can opener and knife sharpener in its closed position;

FIG. 9 is a rear elevational view thereof;

FIG. 10 is a top plan view thereof;

FIG. 11 is a bottom plan view thereof;

FIG. 12 is a left side elevational view thereof;

FIG. 13 is a right side elevational view thereof; and,

FIG. 14 is a perspective view of the combined can opener and knife sharpener in its open position.

1 Claim, 7 Drawing Sheets

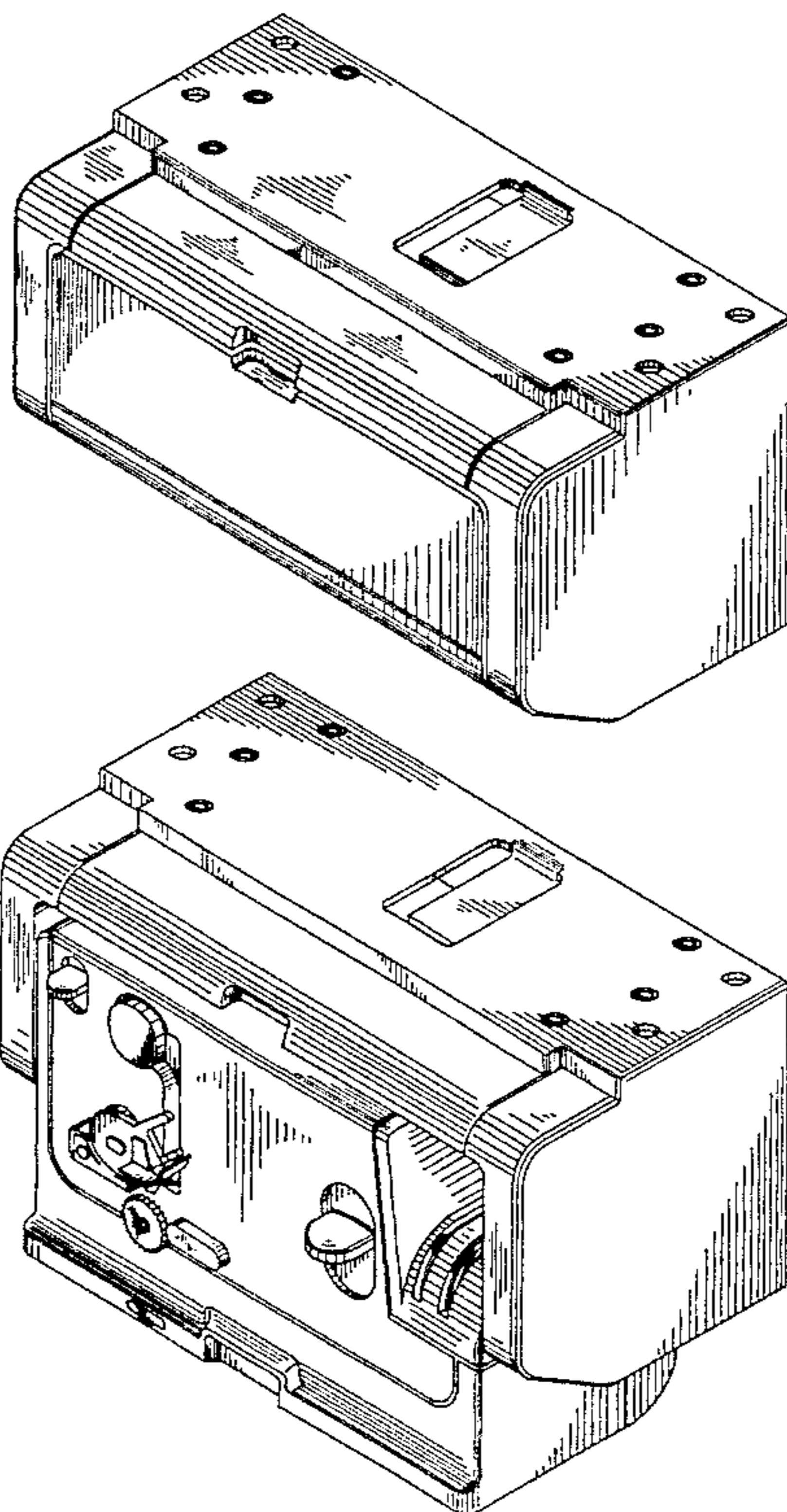


FIG. 1

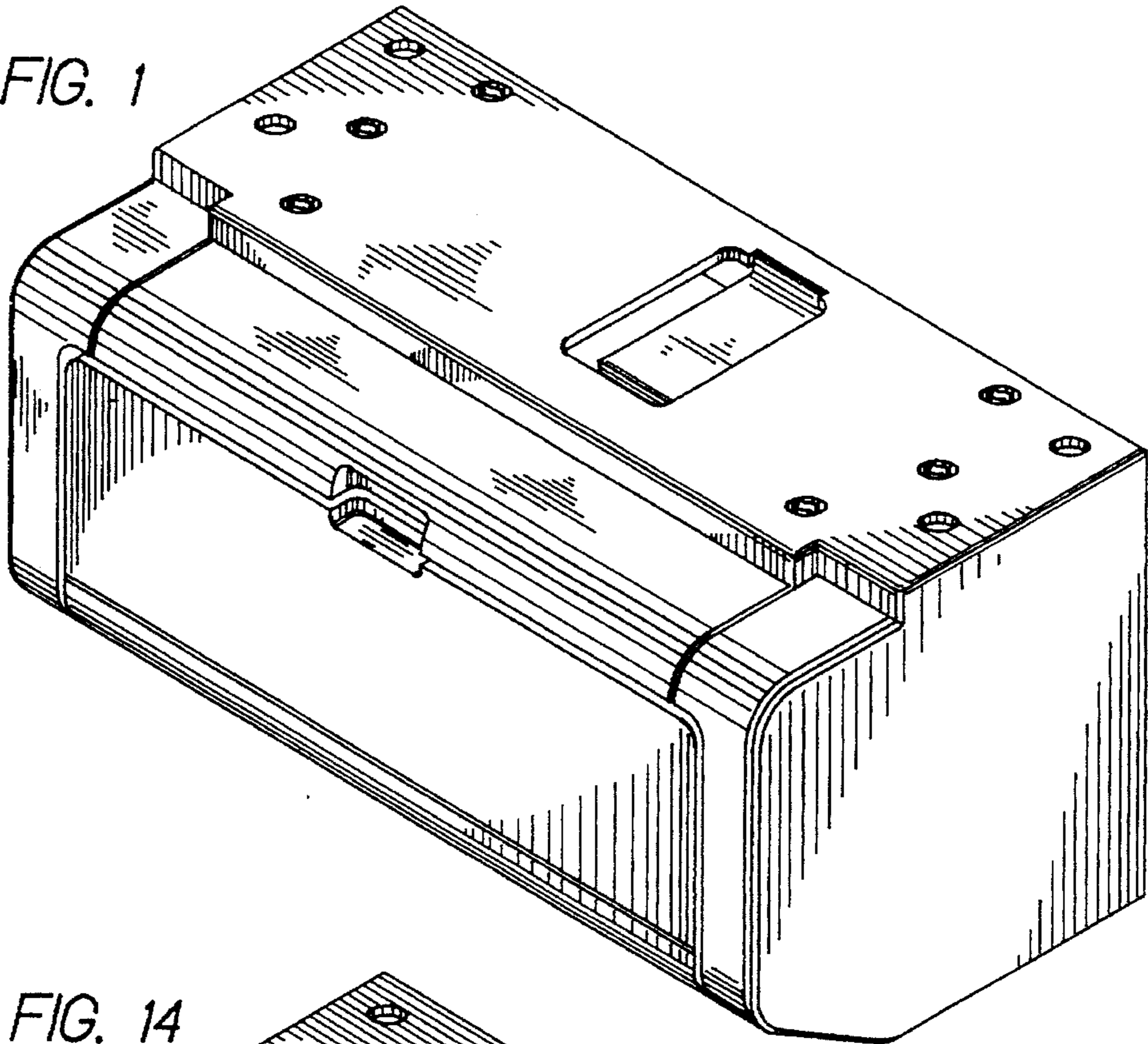


FIG. 14

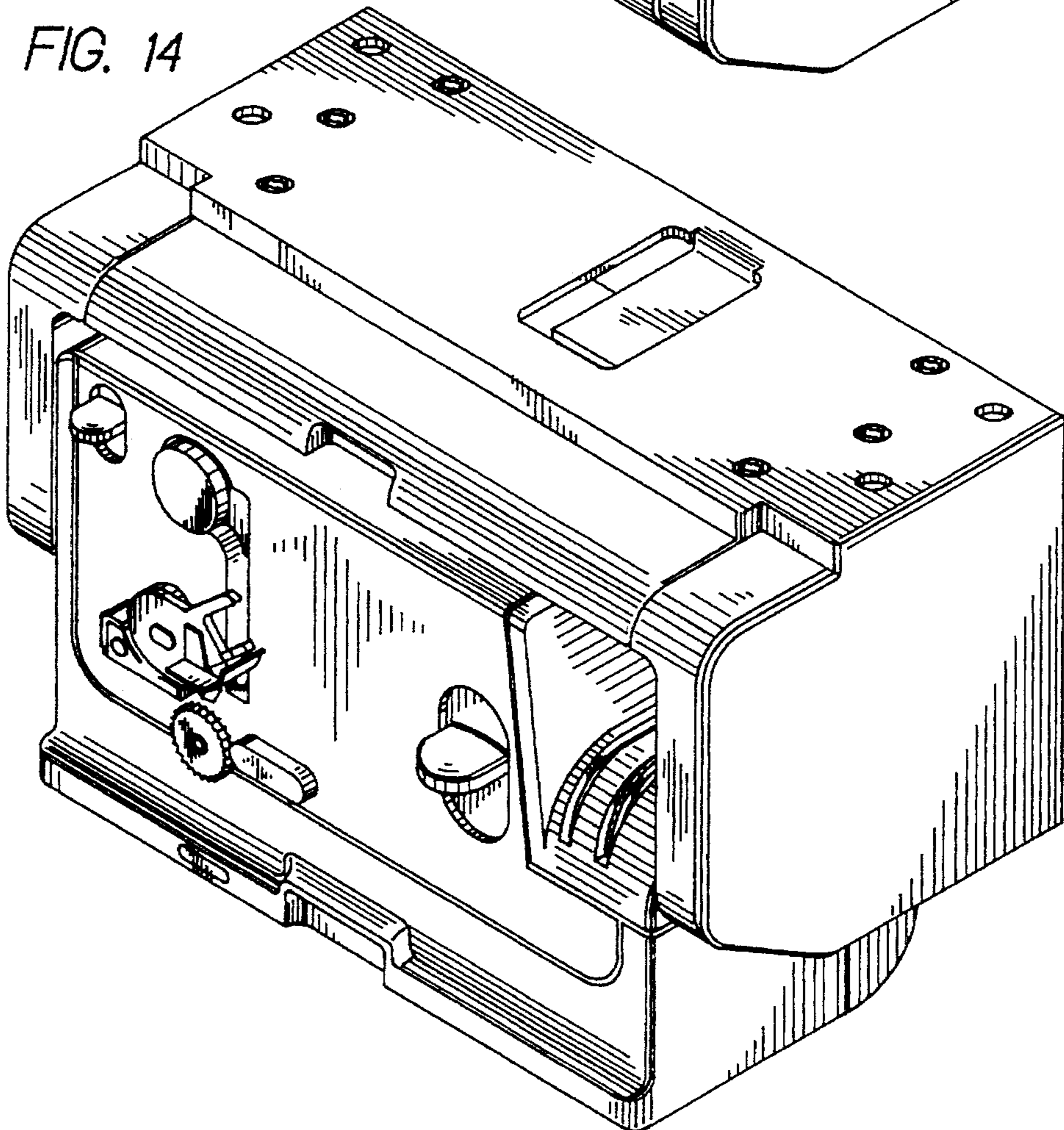


FIG. 2

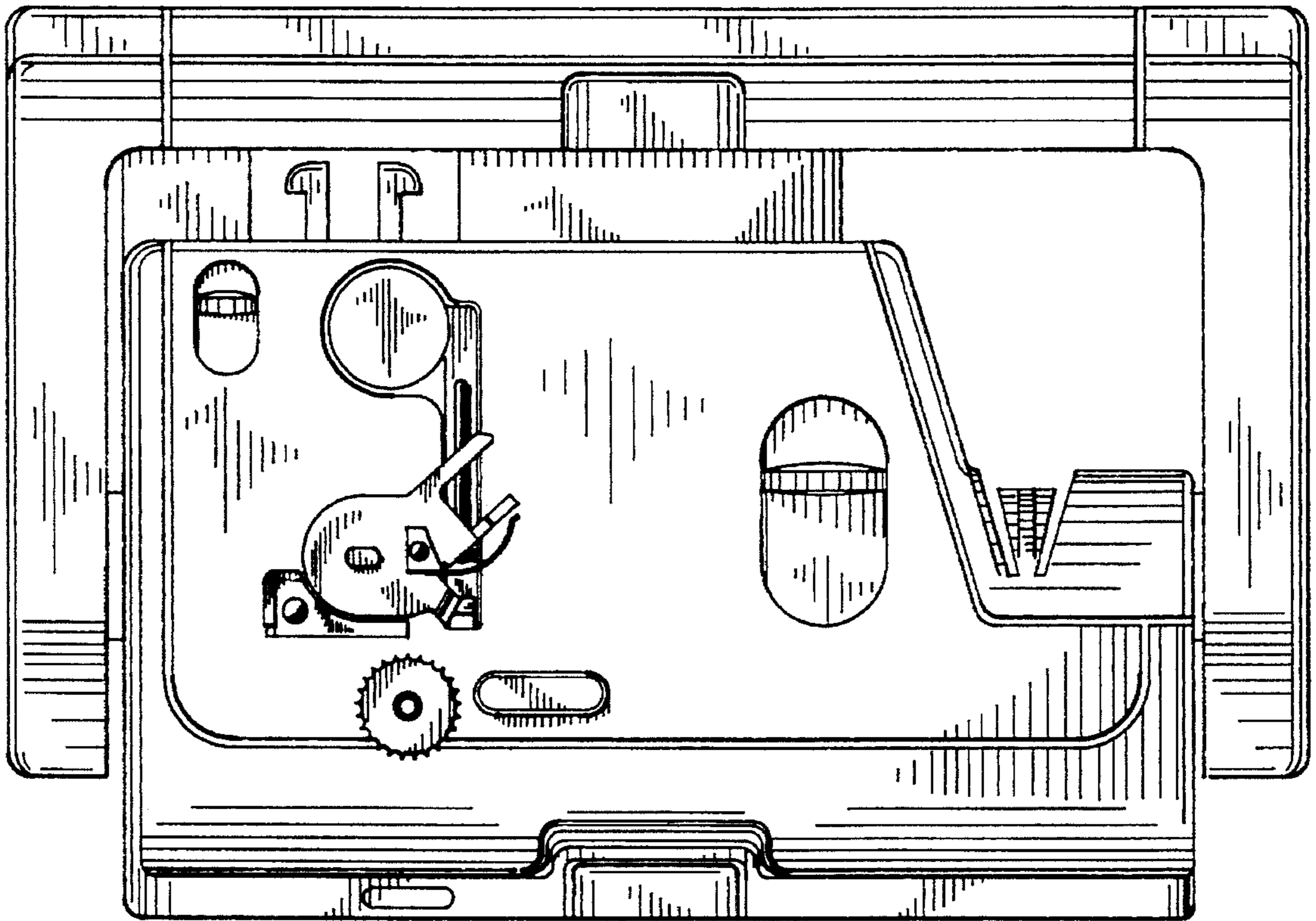


FIG. 3

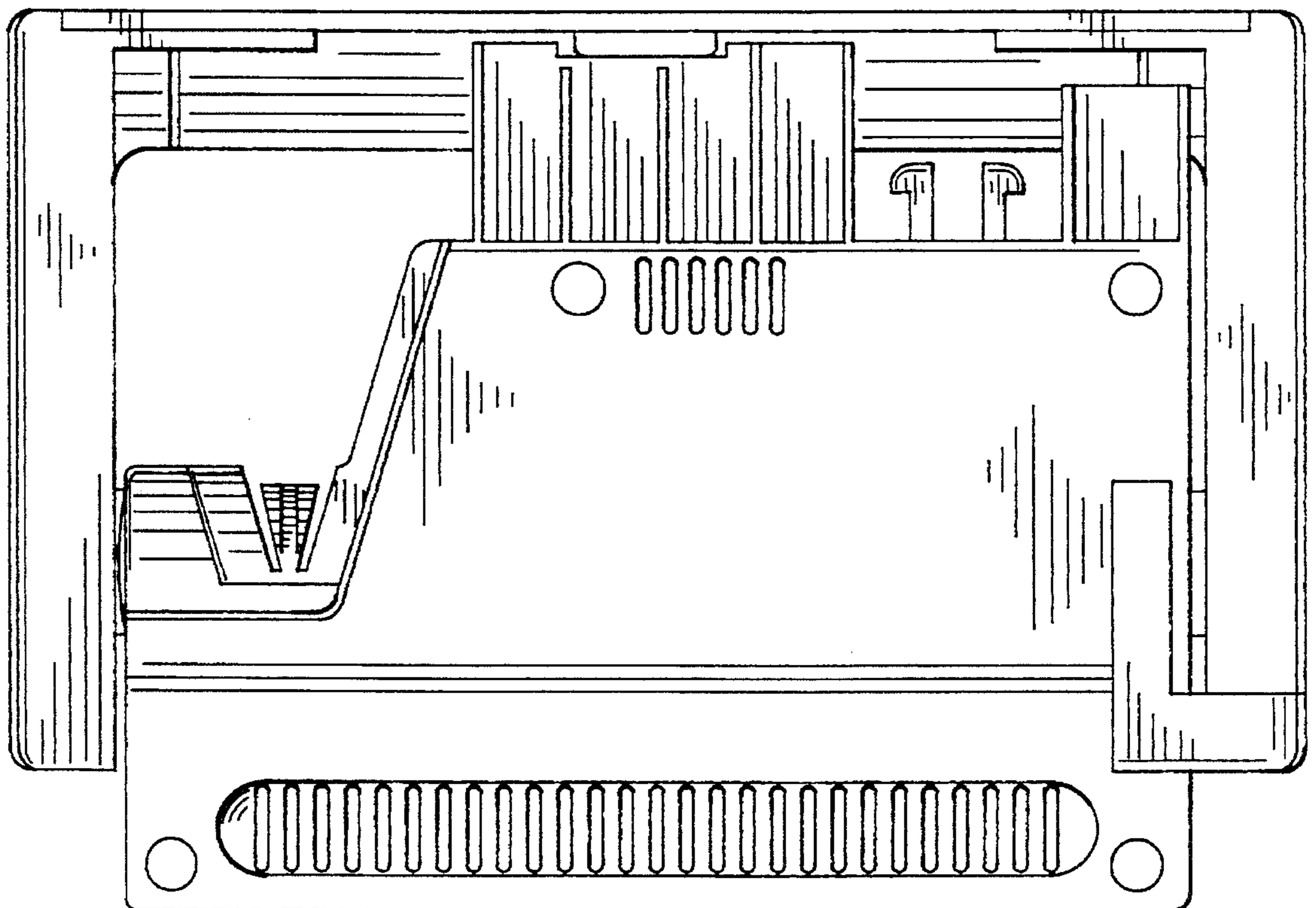


FIG. 4

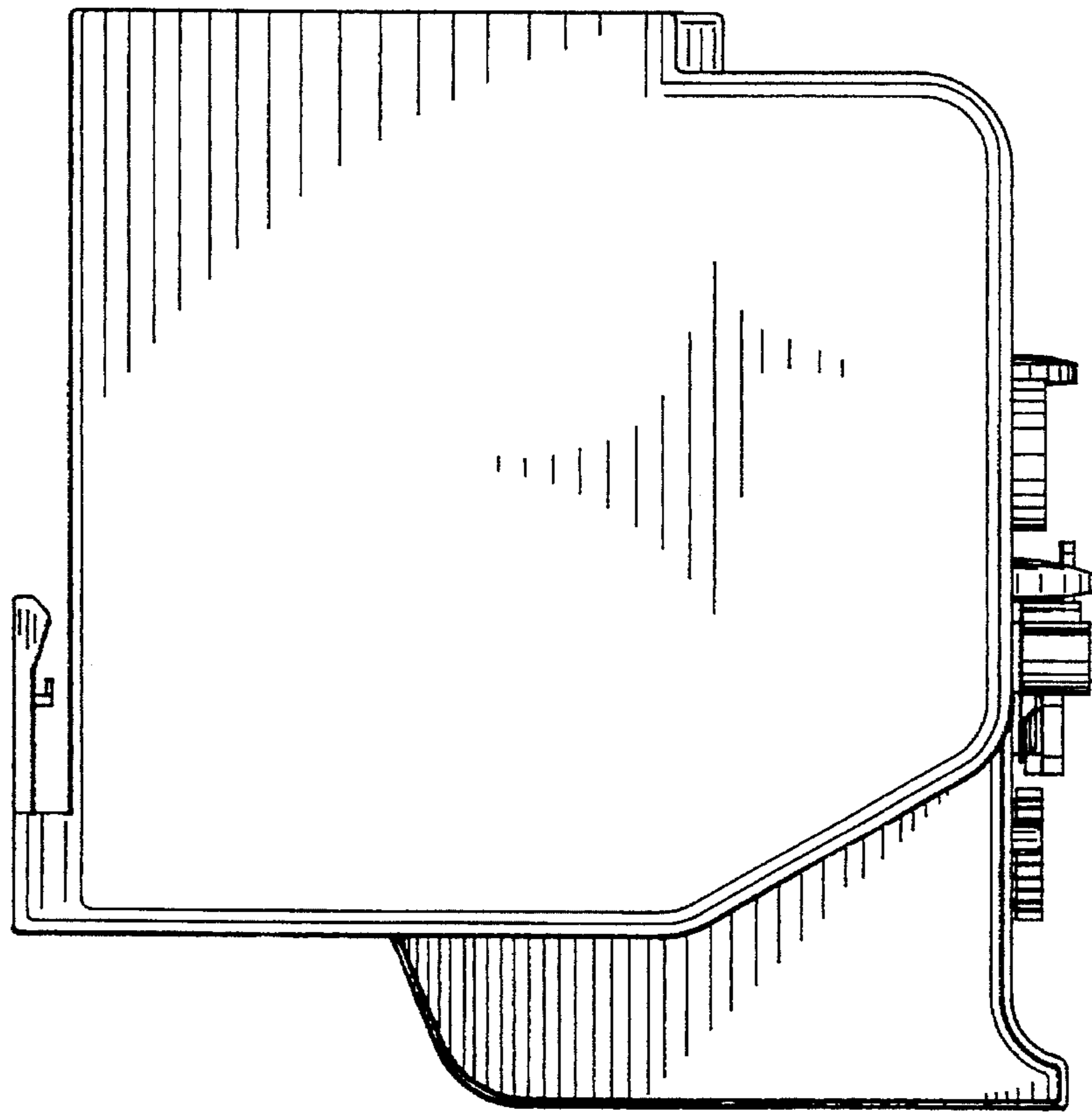


FIG. 5

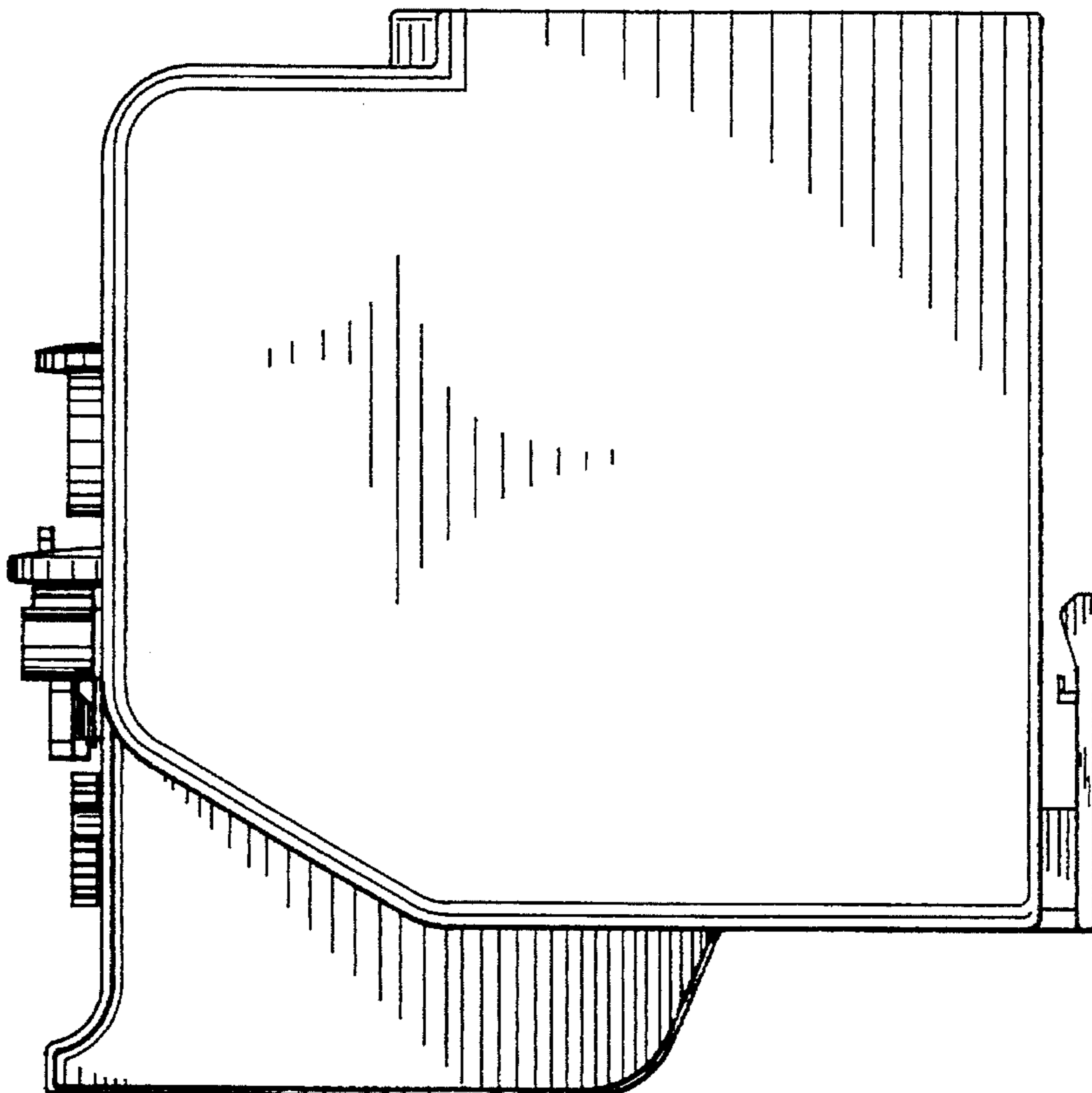


FIG. 6

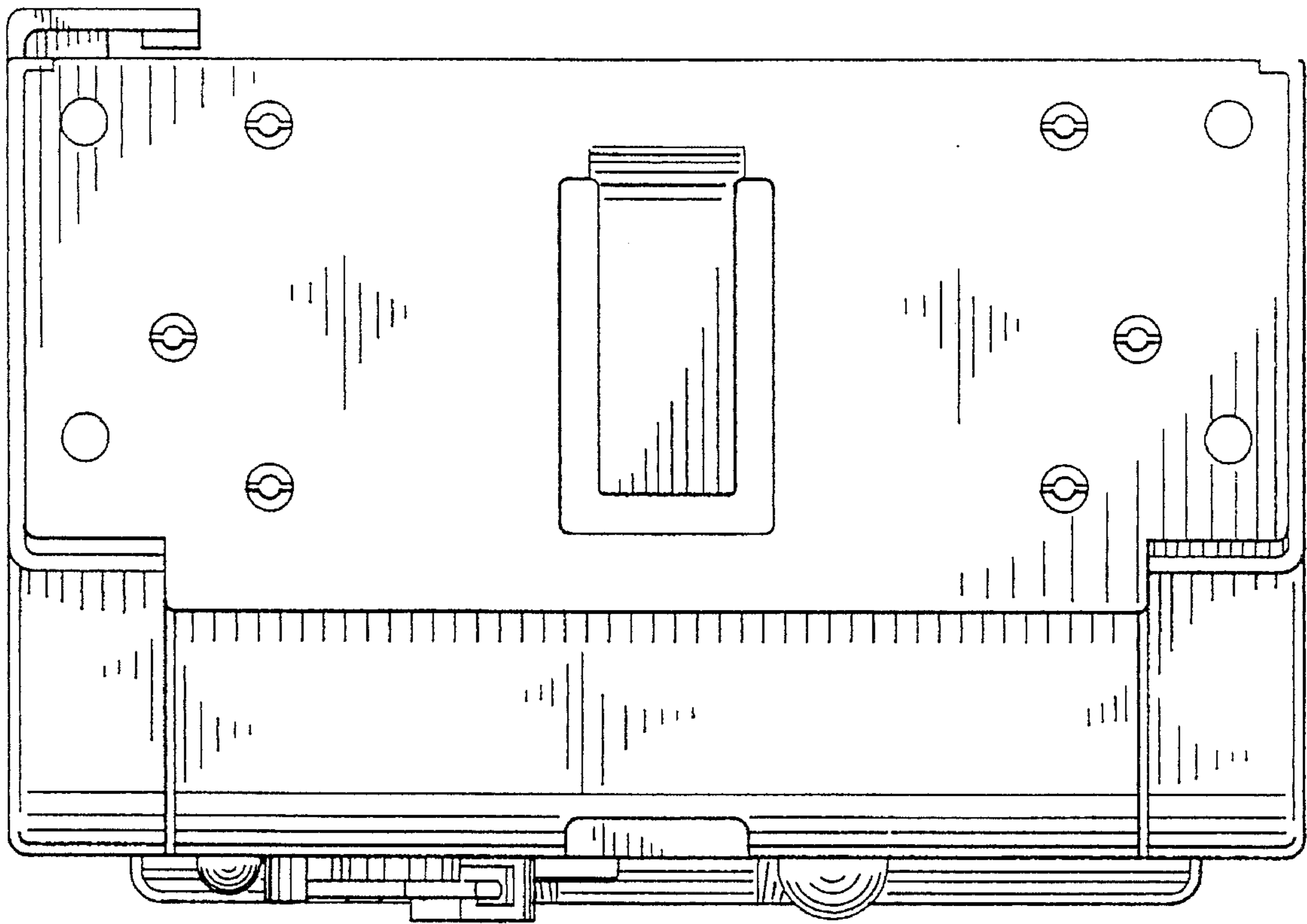


FIG. 7

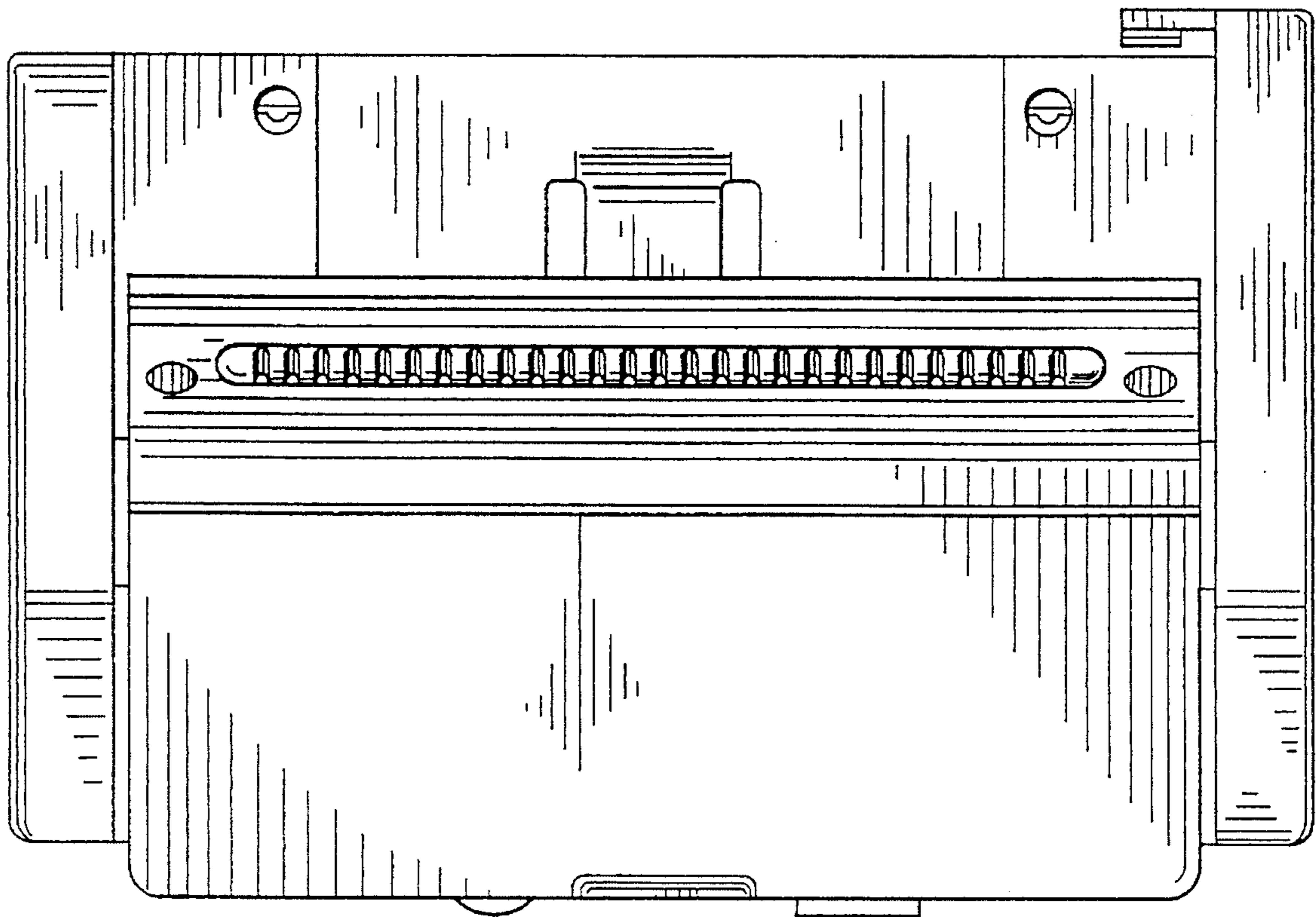


FIG. 8

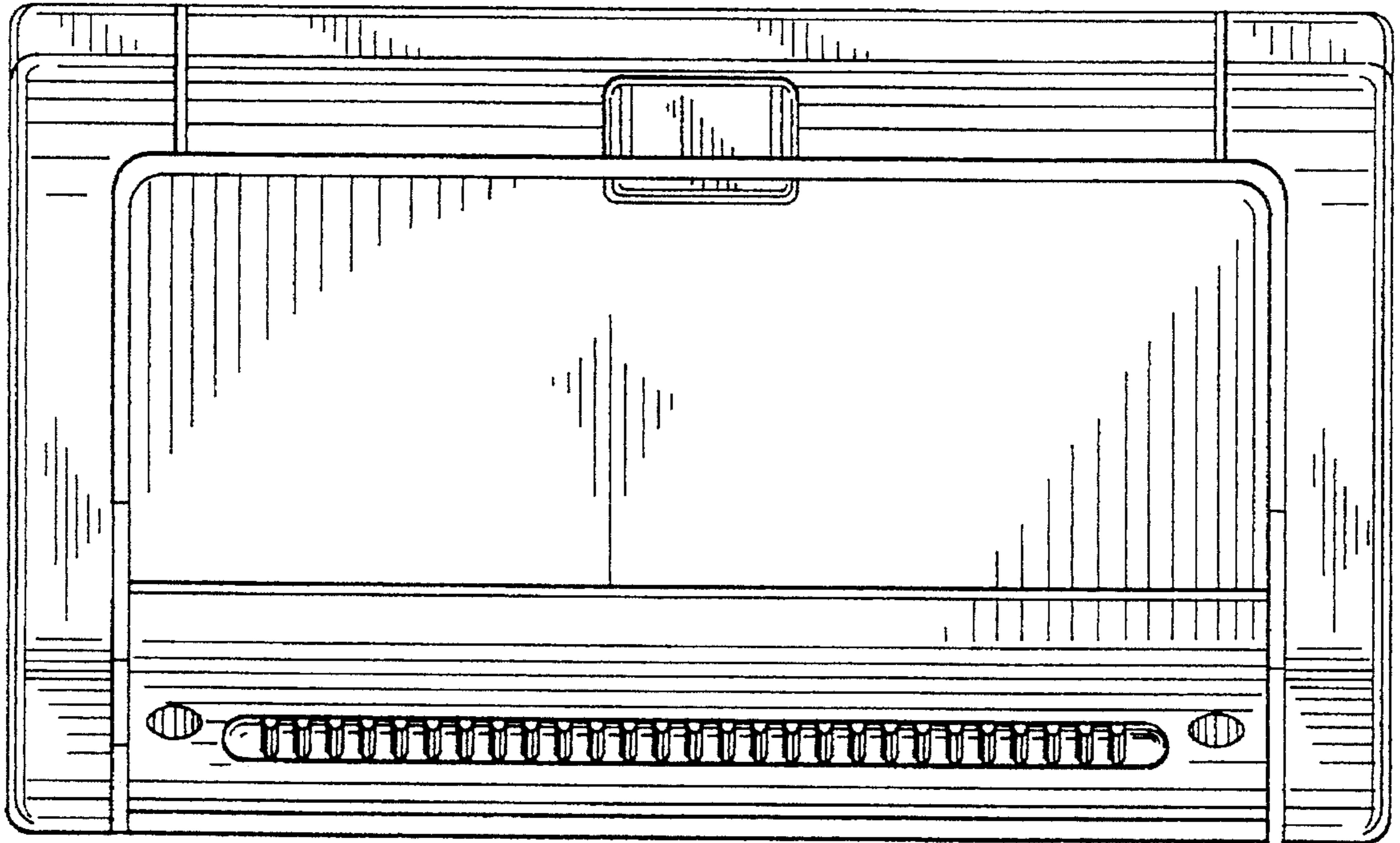


FIG. 9

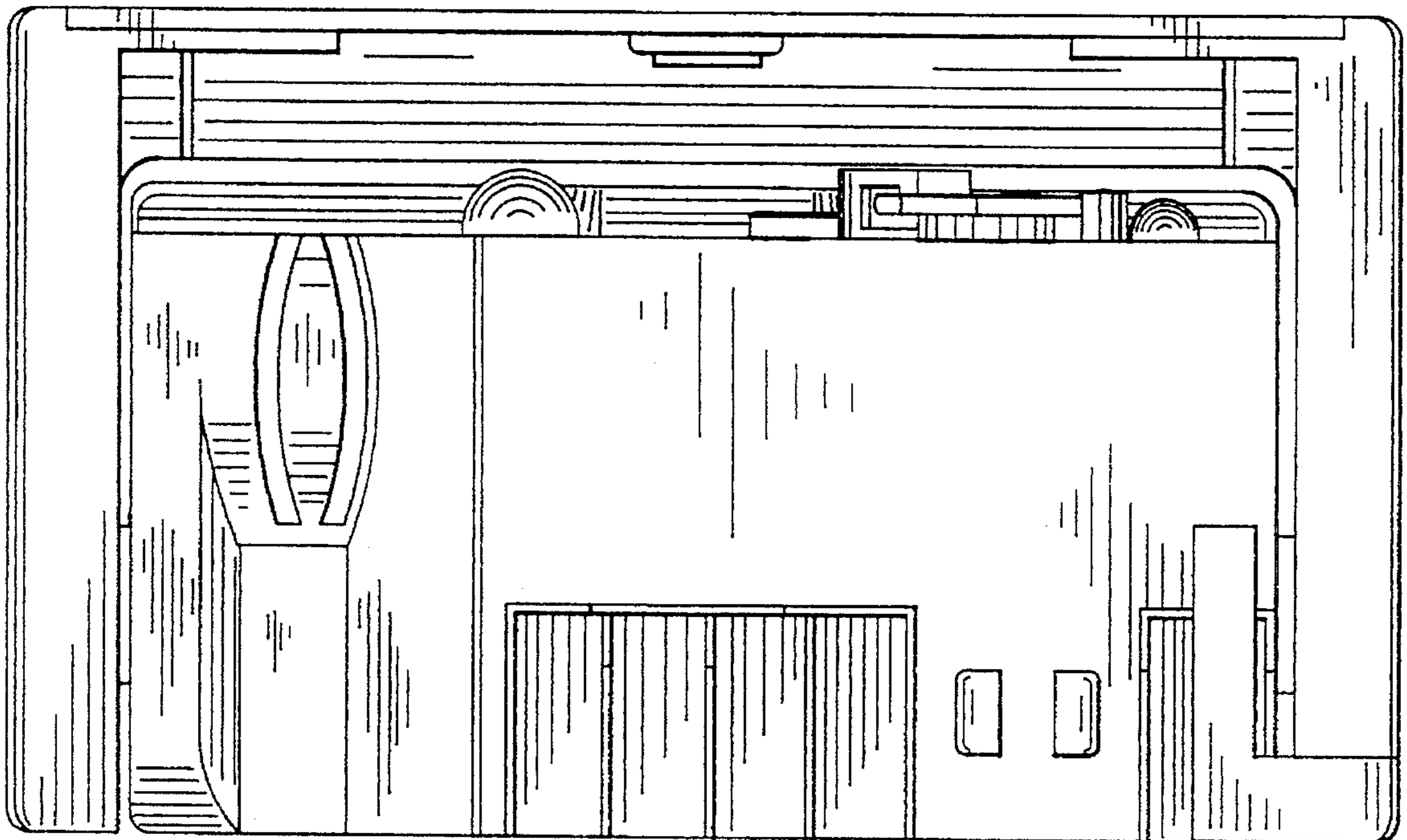


FIG. 10

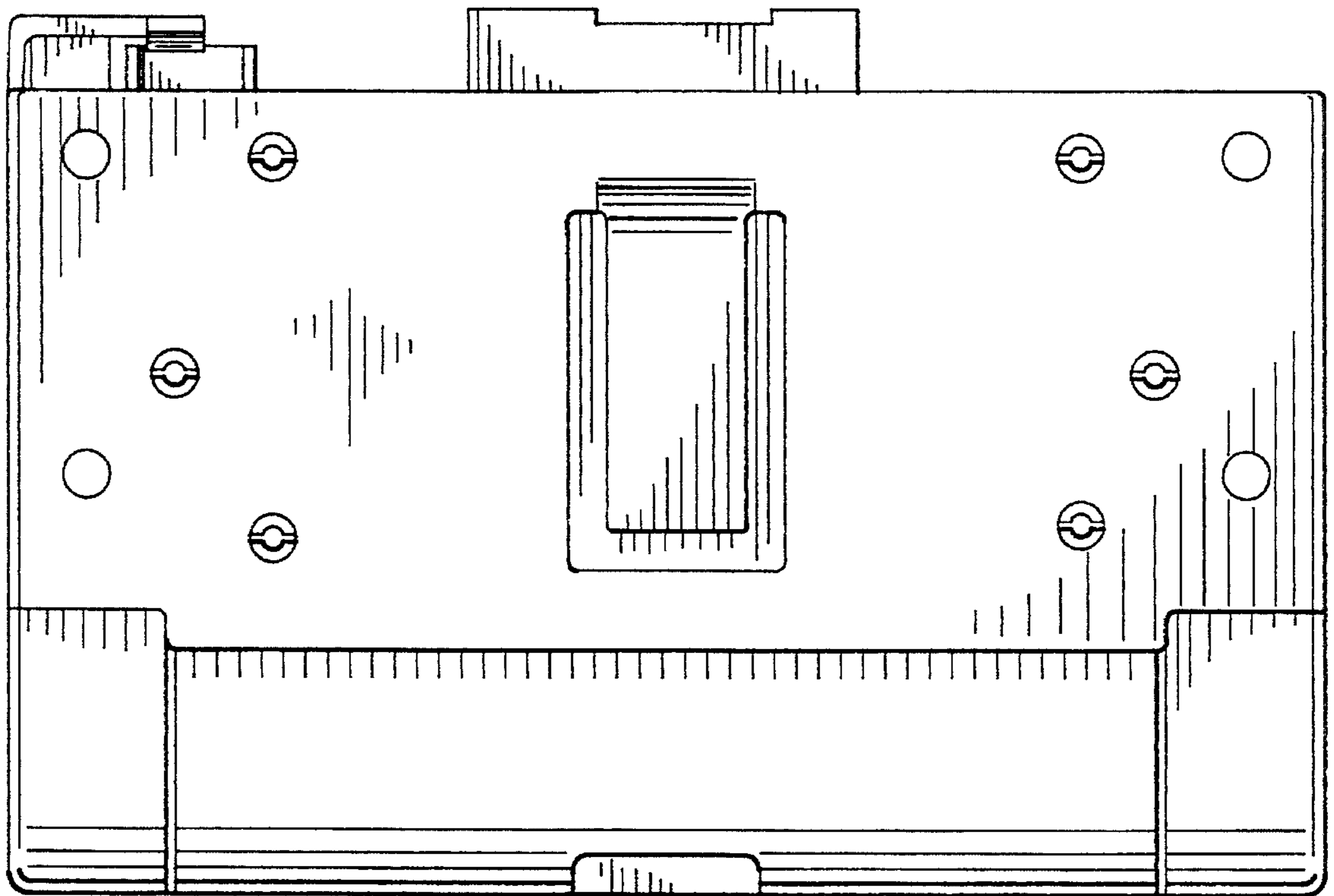


FIG. 11

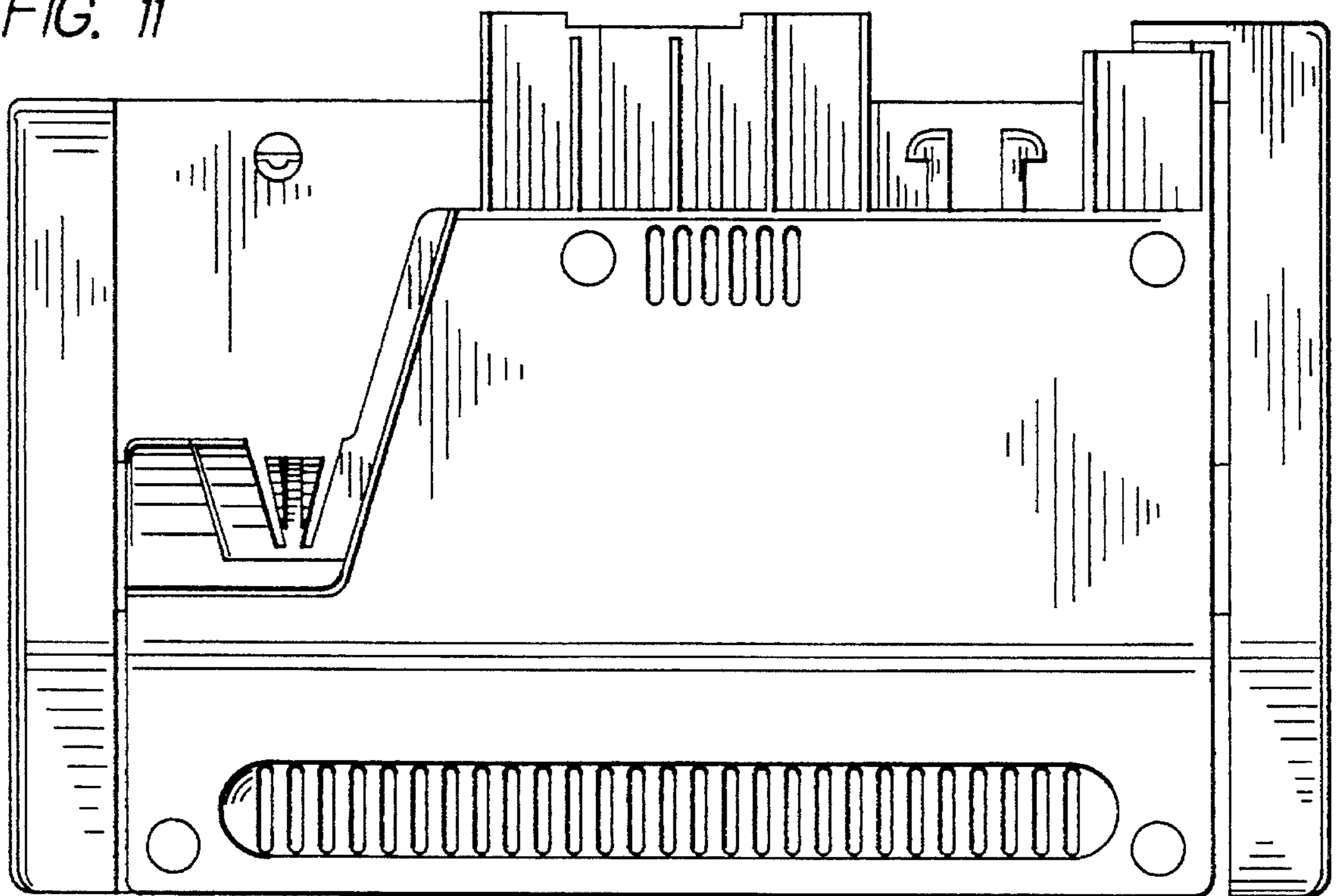


FIG. 12

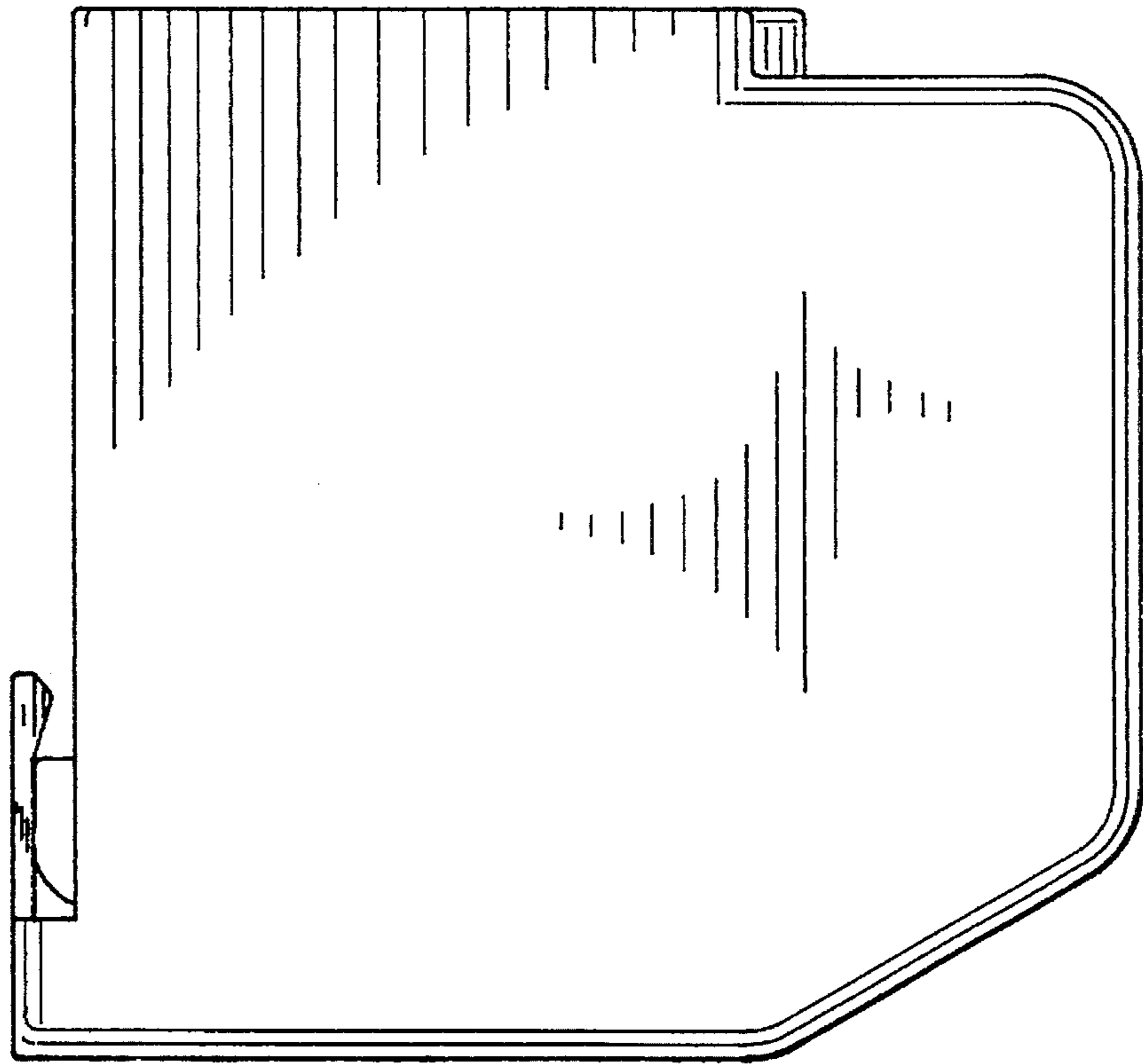


FIG. 13

