



US00D362788S

United States Patent [19]

[11] Patent Number: **Des. 362,788**

Hartman

[45] Date of Patent: ****Oct. 3, 1995**

[54] **COMBINED COOLER AND PICNIC SUPPLY HOLDER**

D. 280,223 8/1985 Barbato et al. D21/136
D. 305,250 12/1989 Vendetti D21/136

[76] Inventor: **Janice C. Hartman**, 14629 Algeciras Ave., La Mirada, Calif. 90638

Primary Examiner—Terry A. Wallace
Attorney, Agent, or Firm—Edgar W. Averill, Jr.

[**] Term: **14 Years**

[57] **CLAIM**

[21] Appl. No.: **21,028**

The ornamental design for combined cooler and picnic supply holder, as shown.

[22] Filed: **Apr. 7, 1994**

DESCRIPTION

[52] U.S. Cl. **D7/606**; D7/628; D21/137

[58] **Field of Search** D7/605–608, 628, D7/604, 571, 539; D21/124–125, 128, 136–137; 62/457.1, 457.7, 457.8, 371; 220/410, 412; 206/216, 223, 541, 457

FIG. 1 is a perspective view showing the front, top and left side of the combined cooler and picnic supply holder of the present invention;

FIG. 2 is a right side view thereof;

FIG. 3 is a top view thereof;

FIG. 4 is a bottom view thereof;

FIG. 5 is a front view thereof; and,

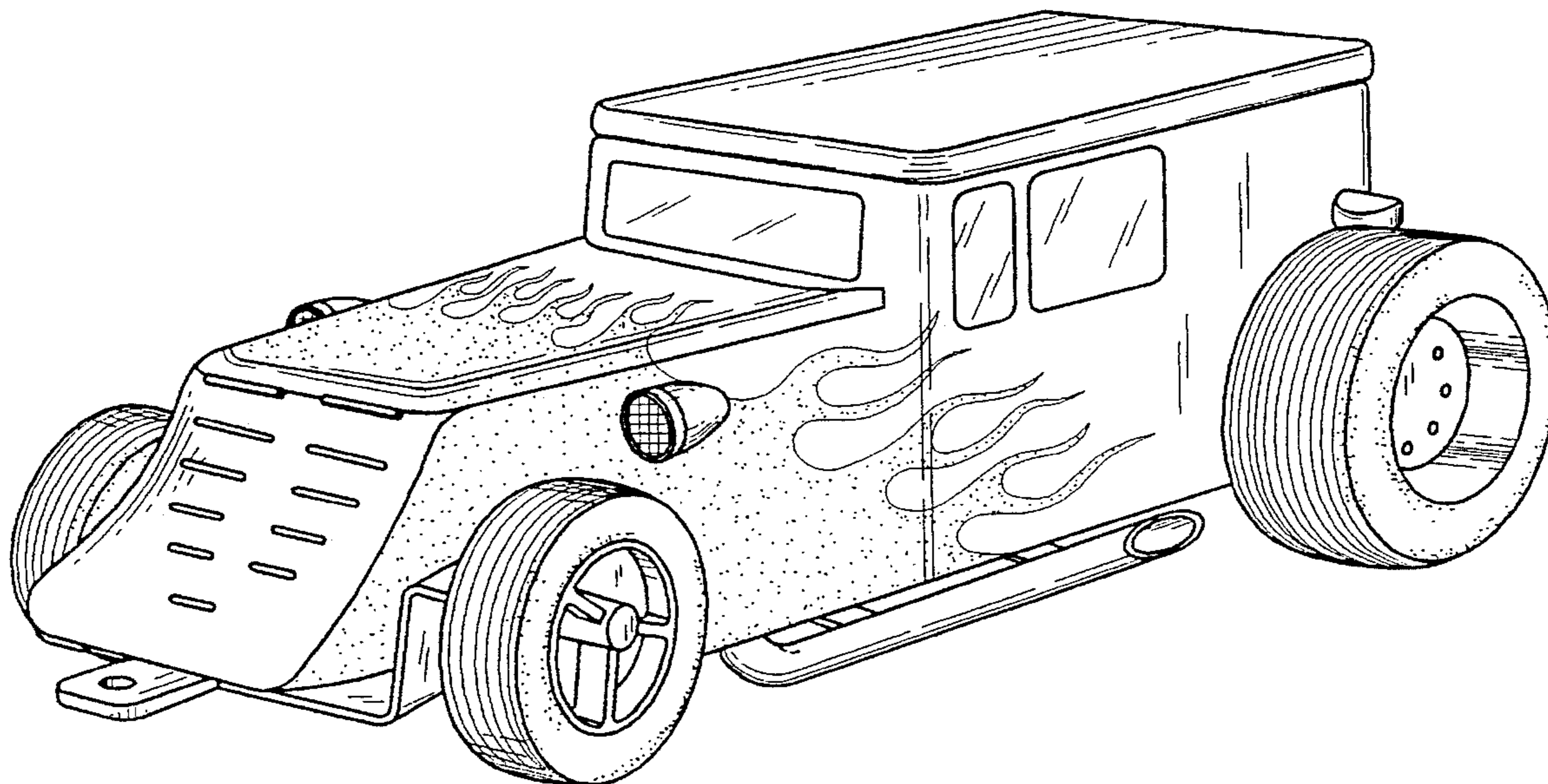
FIG. 6 is a rear view thereof.

[56] **References Cited**

U.S. PATENT DOCUMENTS

D. 90,961 10/1933 Smith D21/136
D. 274,740 7/1984 Santan D21/137

1 Claim, 3 Drawing Sheets



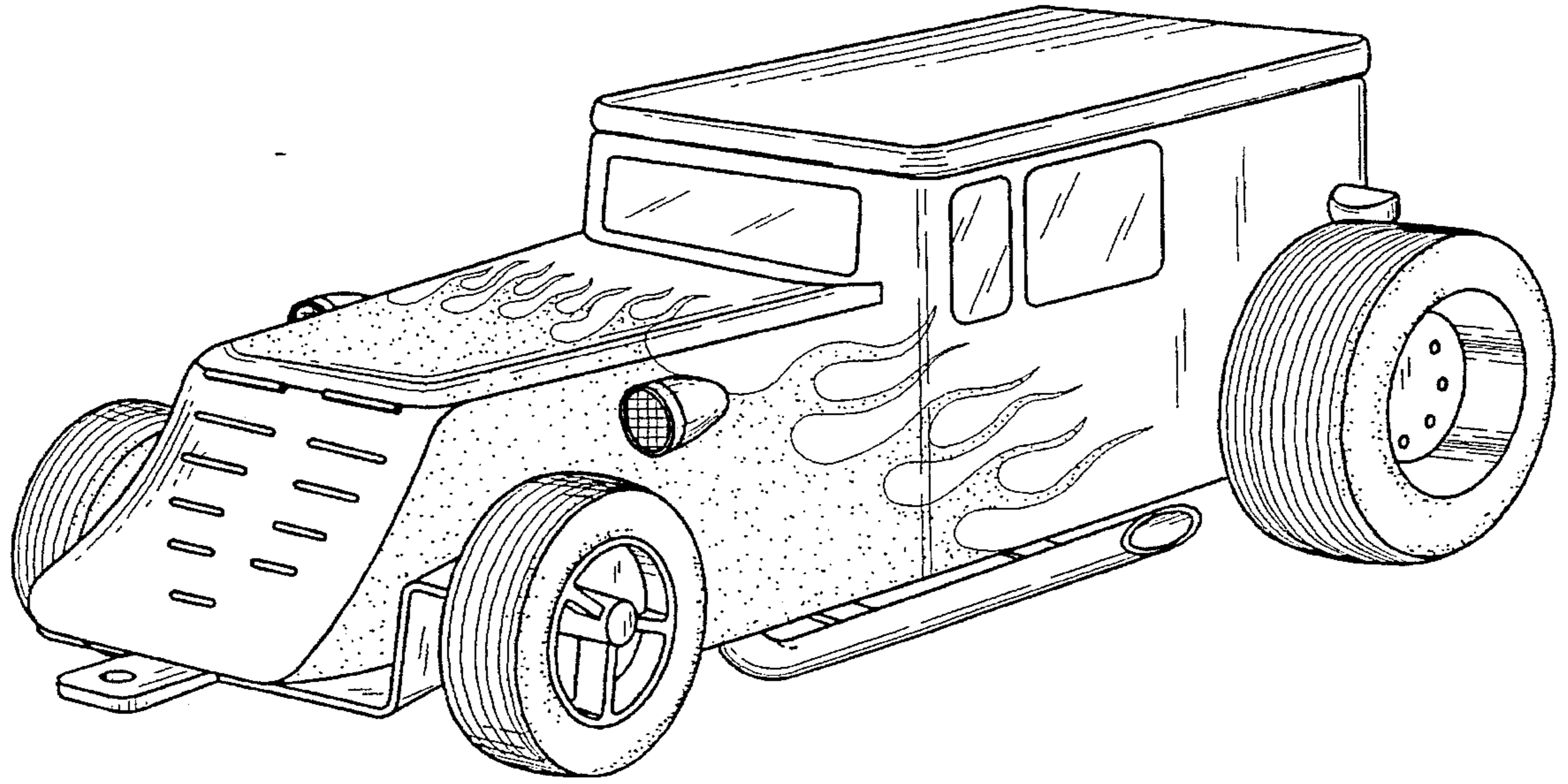


Fig. 1

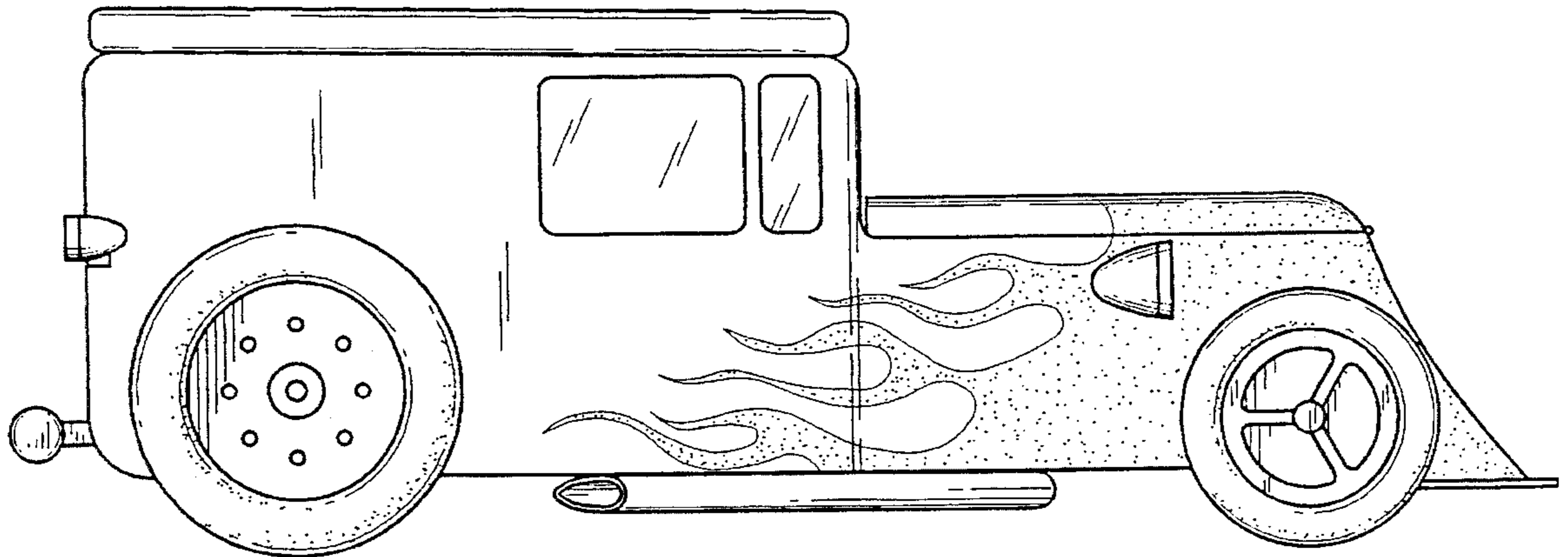


Fig. 2

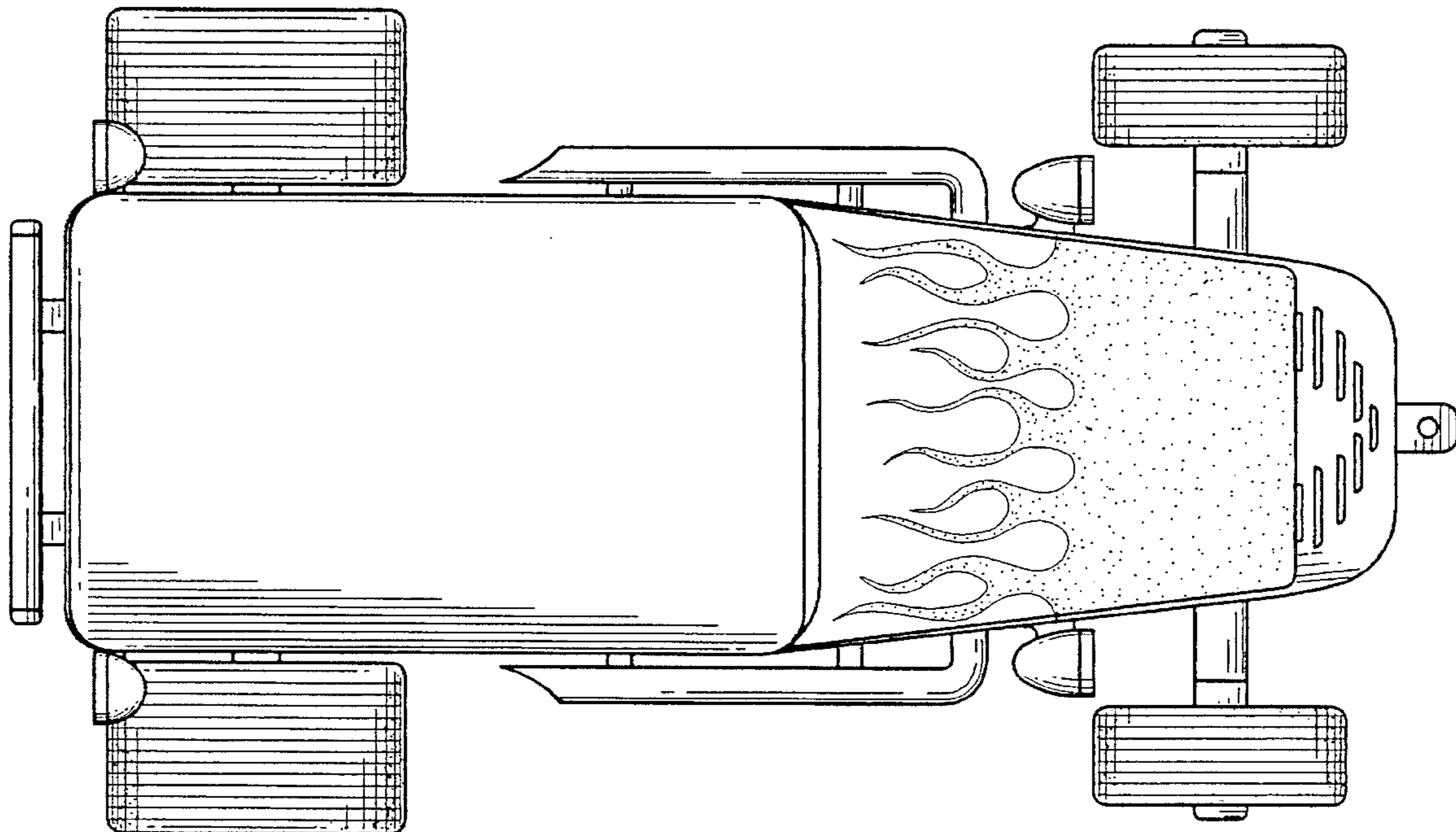


Fig. 3

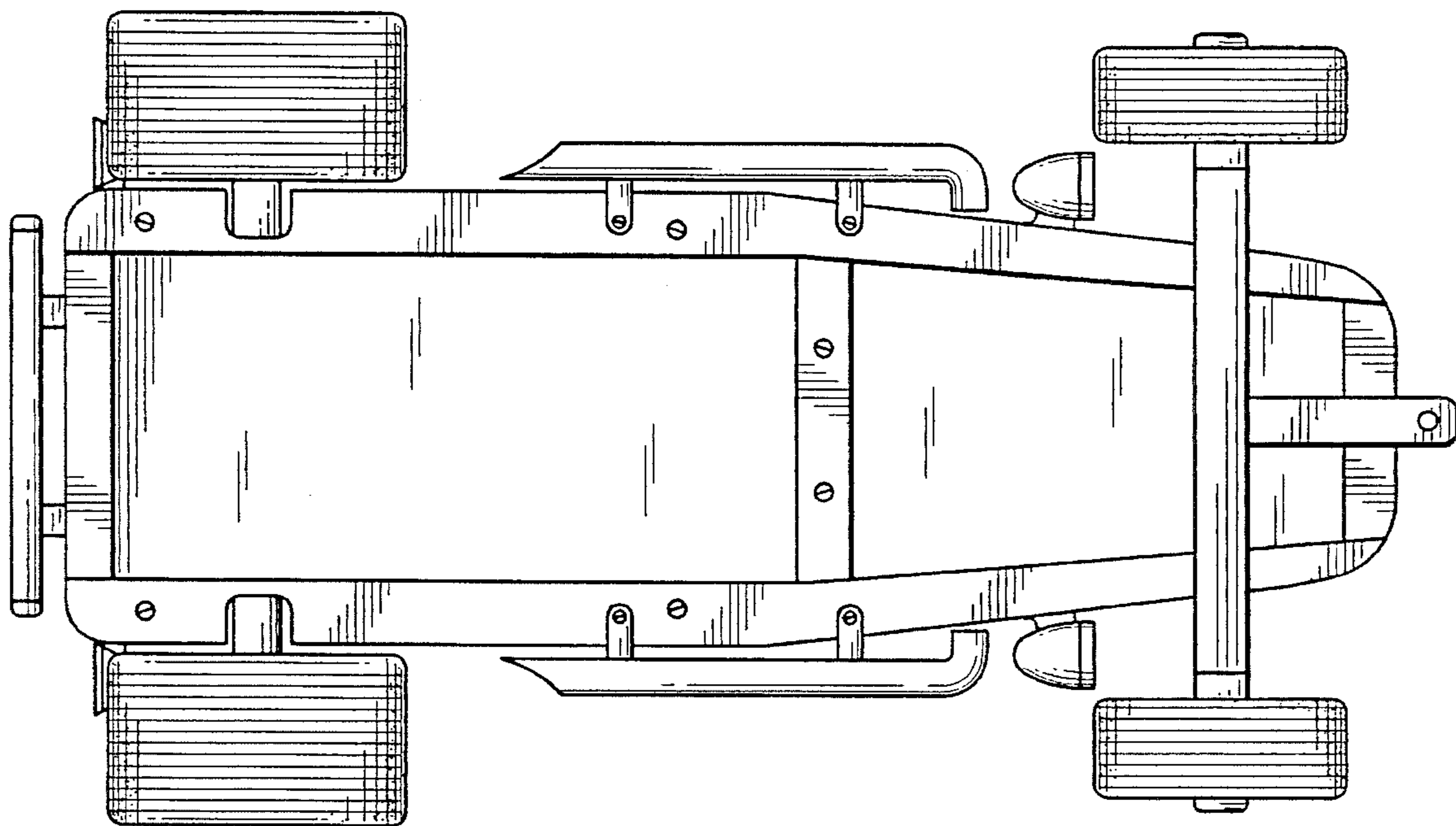


Fig. 4

Fig. 5

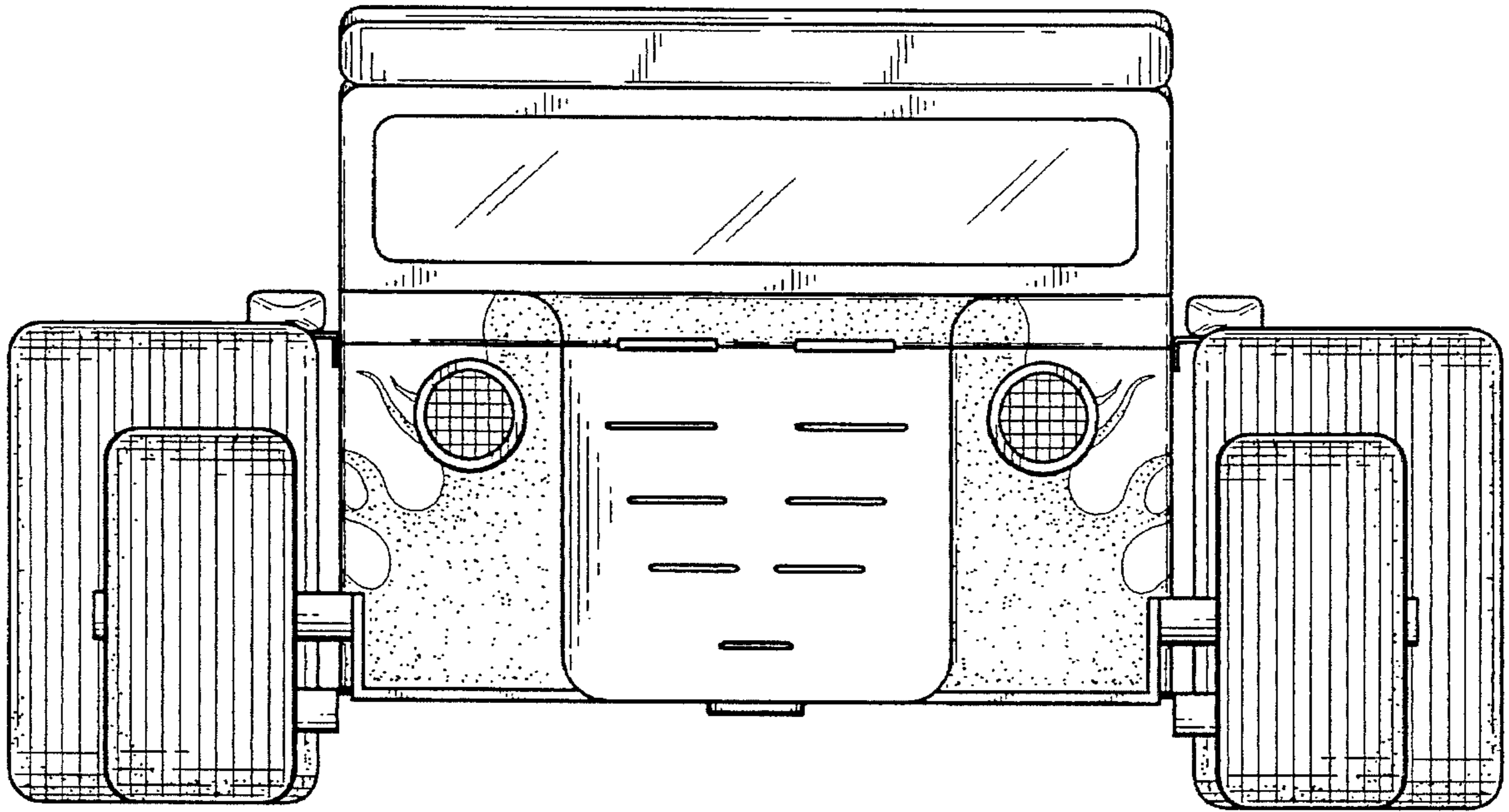


Fig. 6

