



US00D362787S

United States Patent [19] Burke

[11] Patent Number: **Des. 362,787**
[45] Date of Patent: ****Oct. 3, 1995**

[54] **SERVING TRAY**
[76] Inventor: **David L. Burke**, 28 Old Fulton St.,
Apartment THG, Brooklyn, N.Y. 11201
[**] Term: **14 Years**

903,377 11/1908 Hebestreit 211/125
1,669,065 5/1929 Minton 211/125
1,862,010 6/1932 Ehrlich 211/126
3,139,189 6/1964 Kolarik D7/501 X
3,951,079 4/1976 Tolleson 211/128

[21] Appl. No.: **17,878**
[22] Filed: **Jan. 25, 1994**
[52] U.S. Cl. **D7/550; D7/501; D7/505;**
D7/590; D7/558
[58] Field of Search D7/550, 551, 553,
D7/554, 555, 556, 557, 563, 564, 506,
515, 571, 559, 544, 578, 355, 558, 505,
601, 602, 543, 501, 590; D6/487, 489,
477; D30/129

OTHER PUBLICATIONS

Double Decker Hostess Tray, House Furnishing Review
Feb. 1938, p. 43.
2 Tiered Bowl (top/left) Design Nov. 1979, p. 25.
Oval Cocktail Table, Design Institute America Park Place.

Primary Examiner—Alan P. Douglas
Assistant Examiner—M. N. Pandozzi
Attorney, Agent, or Firm—Jeremiah G. Murray

[56] References Cited

U.S. PATENT DOCUMENTS

D. 89,946 5/1933 Brown D6/487
D. 149,046 3/1948 Blumenthal et al. D7/501
D. 152,558 1/1949 Paolino D7/551 X
D. 160,688 10/1950 Brock 211/128
D. 177,187 3/1956 Melich et al. D7/602 X
D. 194,325 1/1963 Swett D7/505
D. 197,981 4/1964 Miller D7/505
D. 200,117 1/1965 Kolarik D7/301 X
D. 201,900 8/1965 Patton D7/552
D. 247,557 3/1978 Hemmy D6/477 X
D. 259,230 5/1981 Snyder D7/590
D. 272,121 1/1984 Daenen et al. D7/358 X

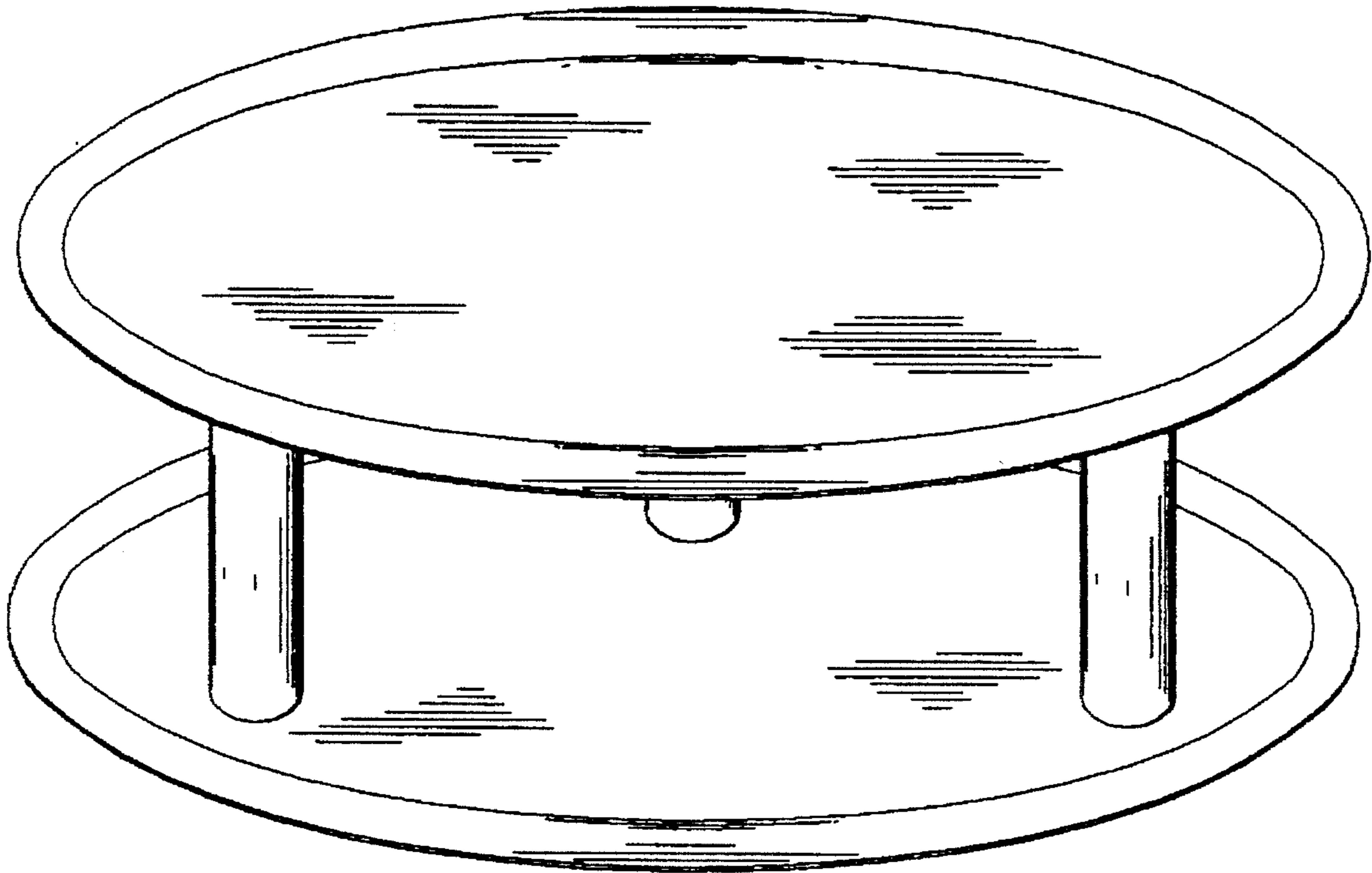
[57] CLAIM

The ornamental design for a serving tray, as shown and described.

DESCRIPTION

FIG. 1 is a view in perspective of a serving tray showing my new design;
FIG. 2 is a front elevational view, the rear elevational view being a mirror image thereof;
FIG. 3 is a left side elevational view, the right side elevational view being a mirror image thereof;
FIG. 4 is a sectional view taken along line 4—4 of FIG. 2 looking in the direction of the arrows; and,
FIG. 5 is a bottom plan view thereof.

1 Claim, 2 Drawing Sheets



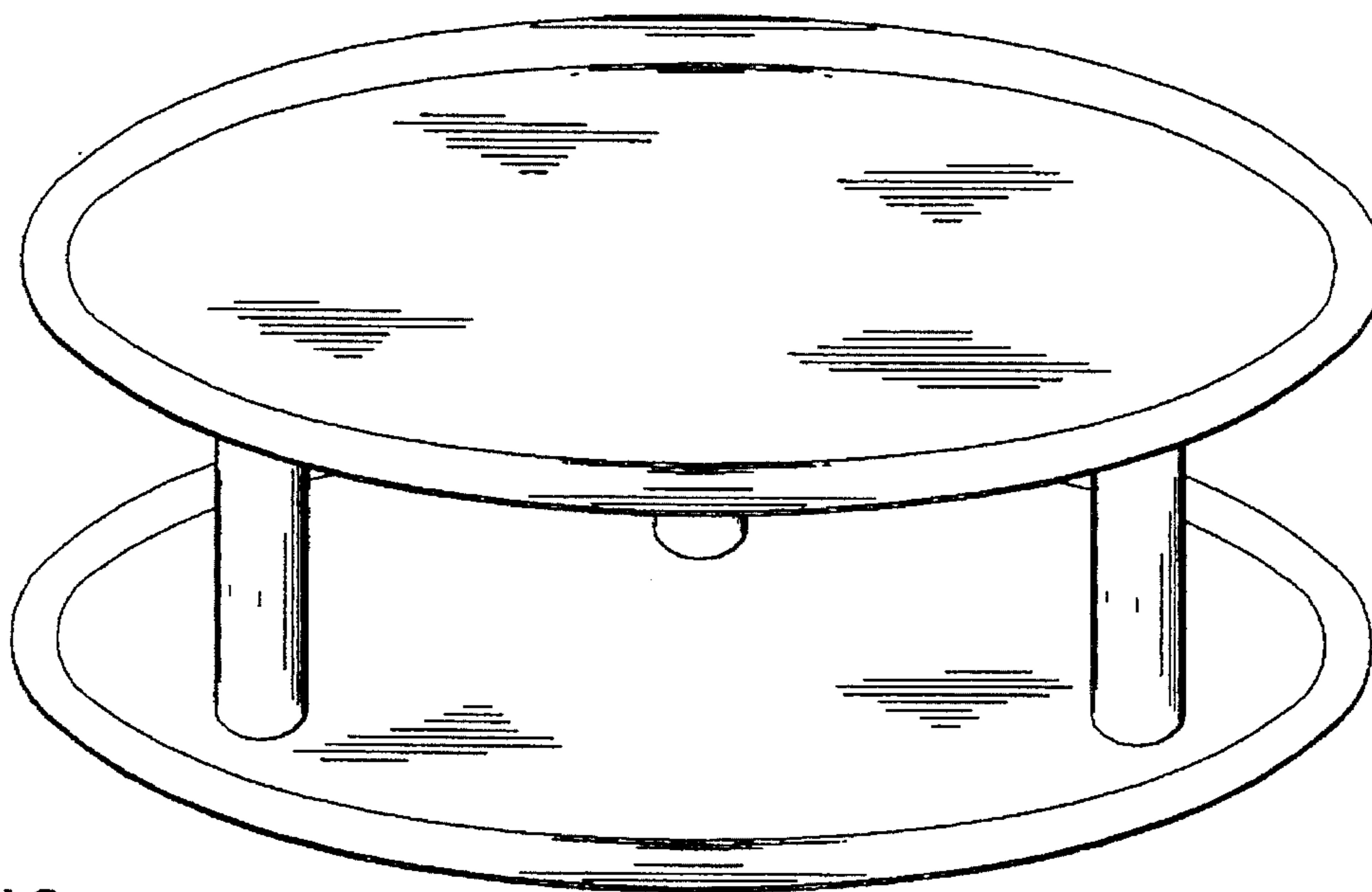


FIG. 1

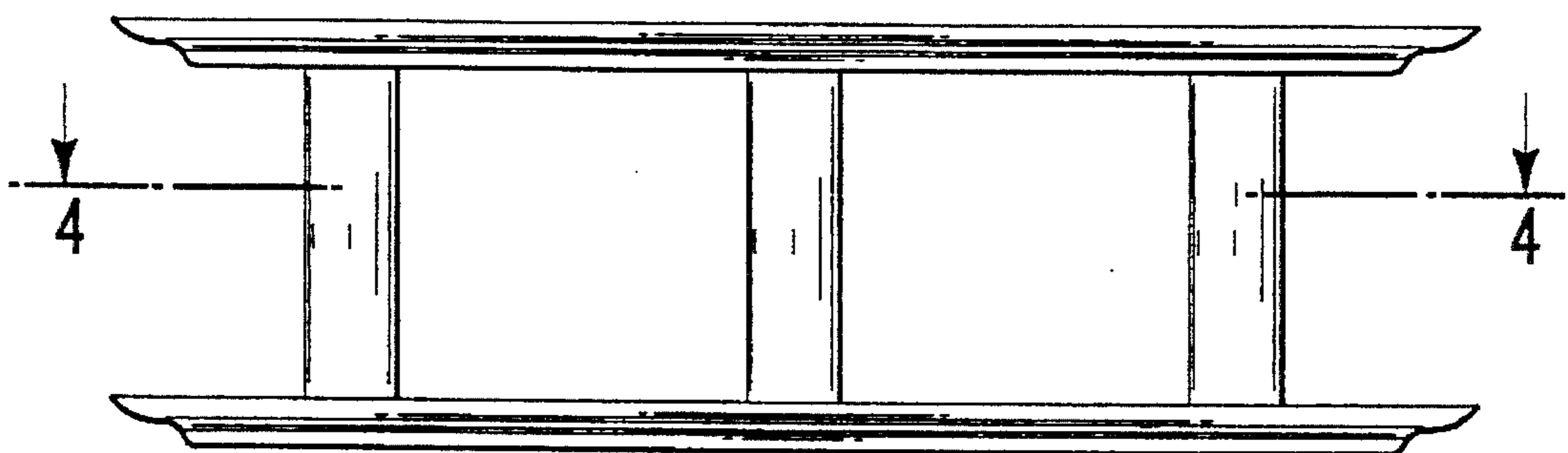


FIG. 2

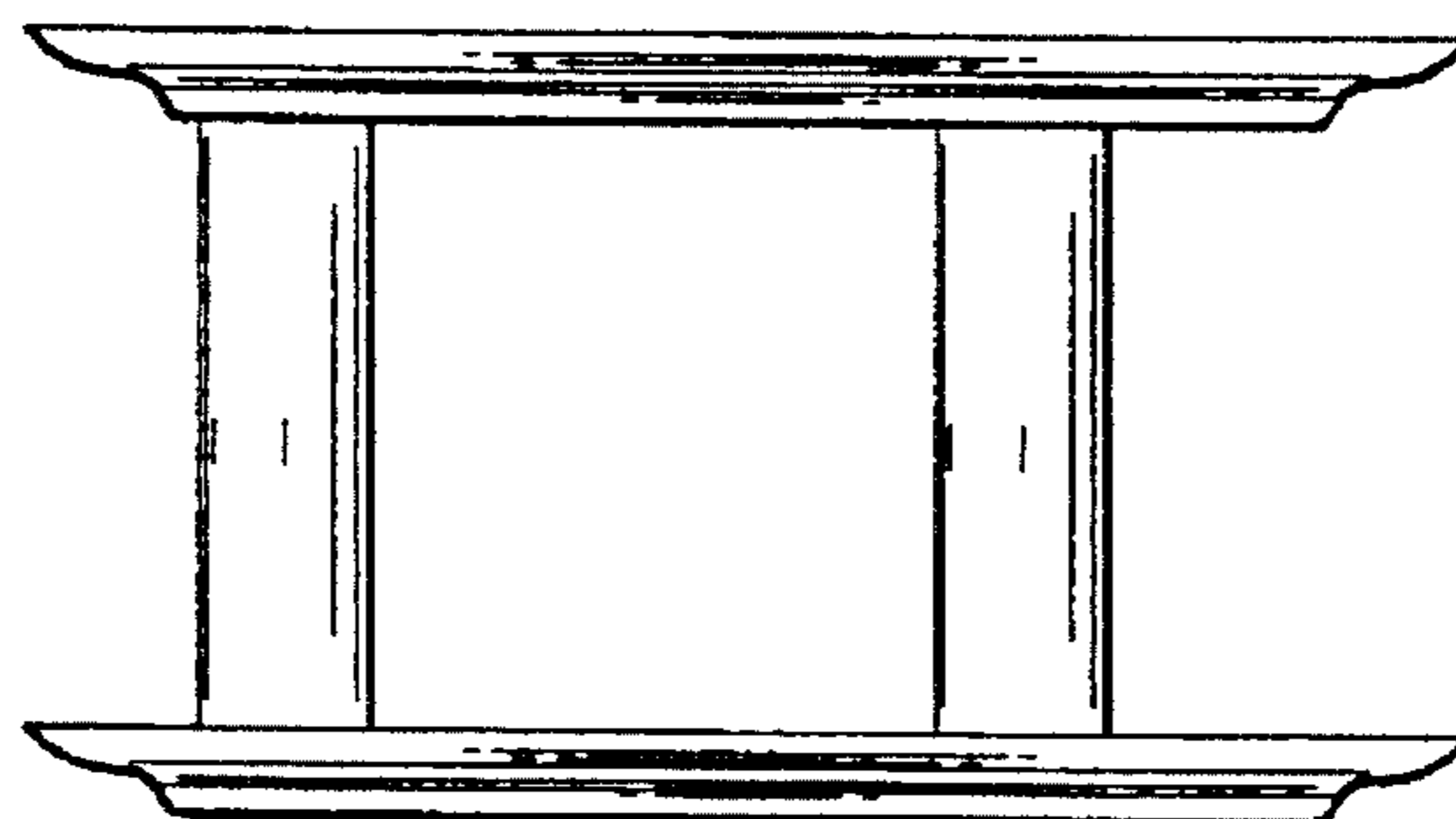


FIG. 3

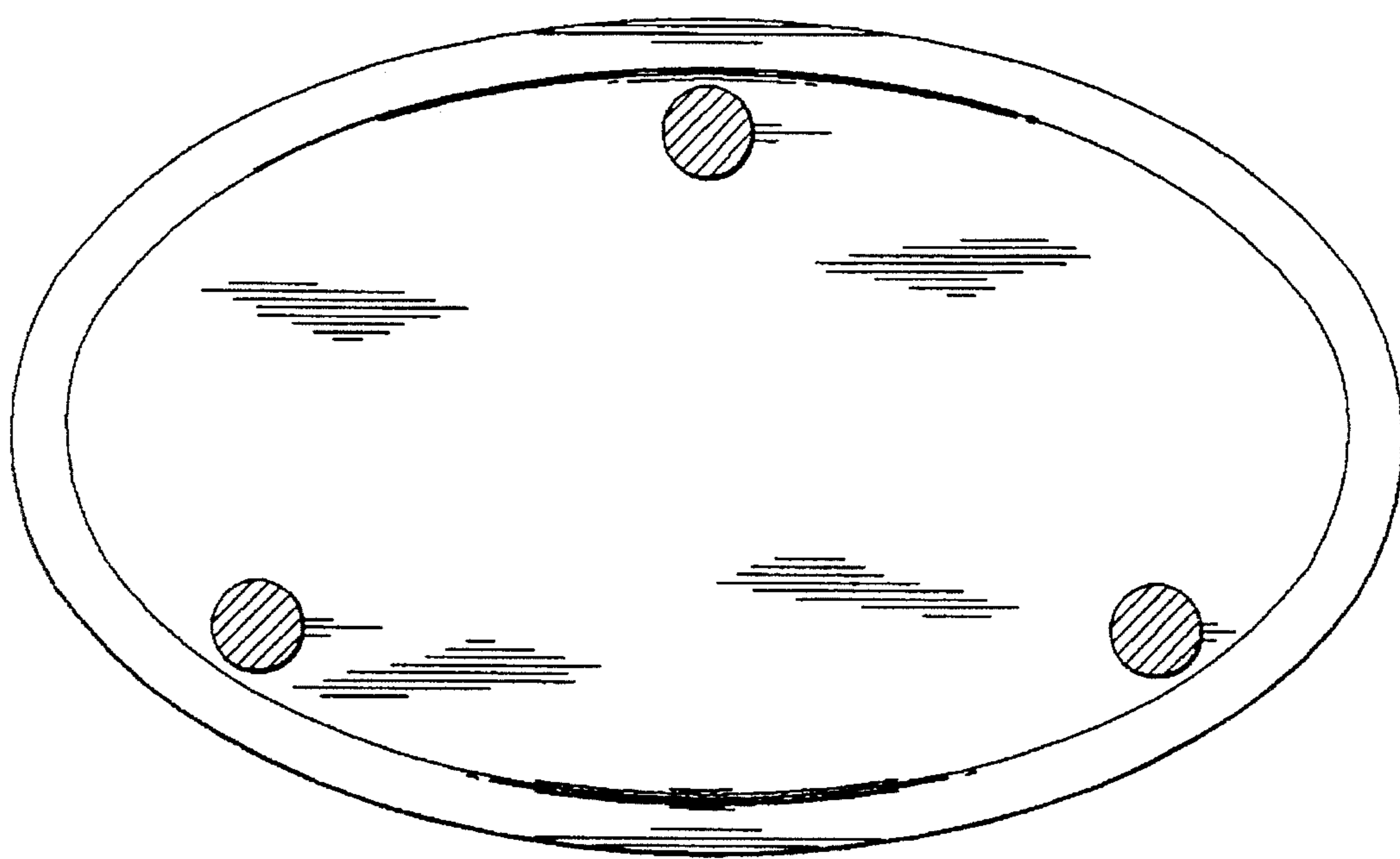


FIG. 4

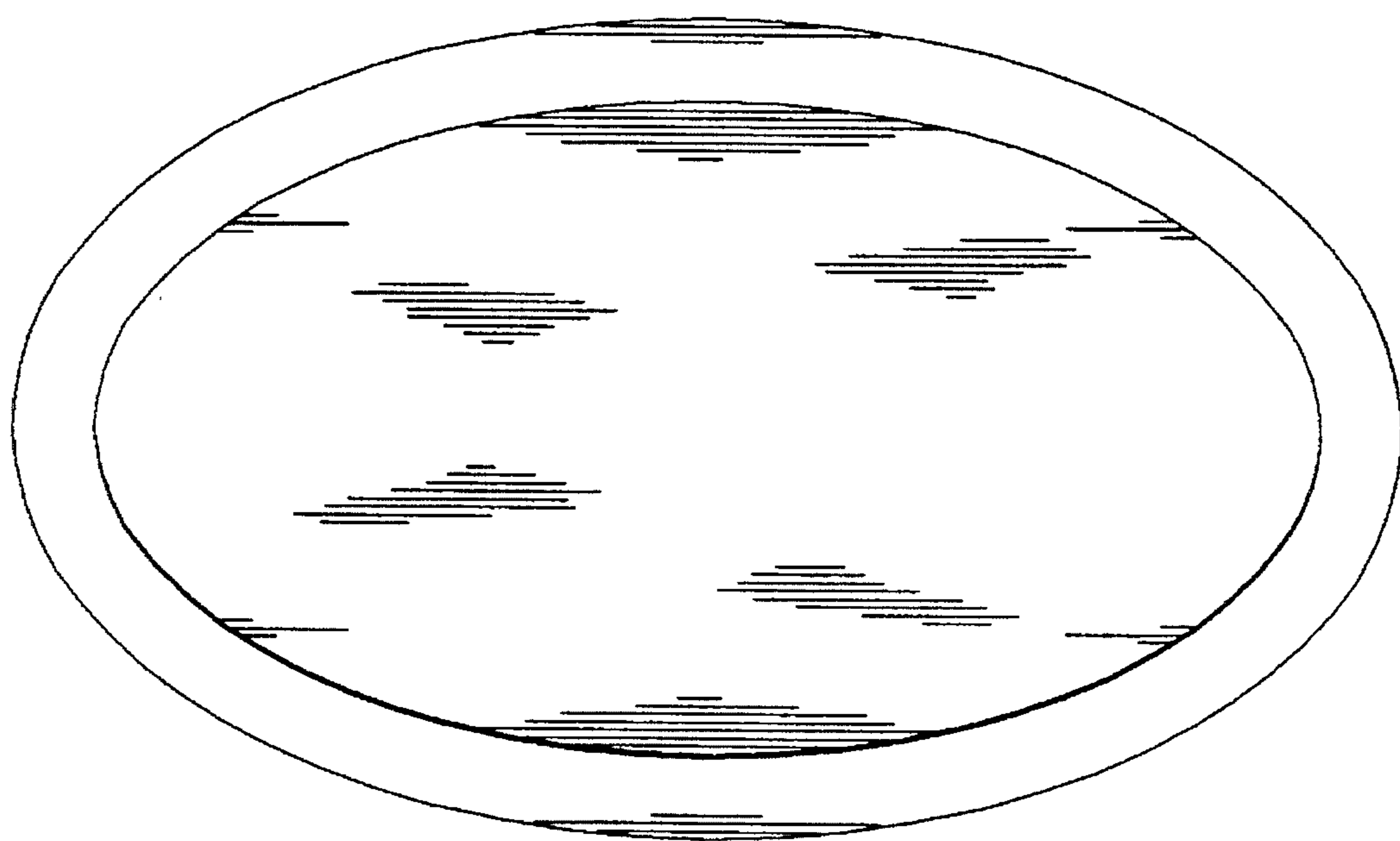


FIG. 5