



US00D362784S

United States Patent [19]

[11] **Patent Number:** **Des. 362,784**

Sperry et al.

[45] **Date of Patent:** ****Oct. 3, 1995**

[54] **BEVERAGE SUPPORTING STAND**

[76] Inventors: **Michael Sperry**, 4955 Brookside Dr., Michigan City, Ind. 46360; **Austin Wilkins**, 1116 W. Wellington, Apt. #2, Chicago, Ill. 60657

[**] Term: **14 Years**

[21] Appl. No.: **20,847**

[22] Filed: **Apr. 4, 1994**

[52] U.S. Cl. **D7/396.6**; D7/396.2; D7/619; D11/155; D26/9

[58] Field of Search D7/505, 507, 396.6, D7/524, 396.1, 527, 396.2, 396.6, 601, 602, 619, 615, 637; D11/155, 146, 143; D26/9; D6/495; D24/130; D21/51, 52; D25/128, 127; D30/160; D19/84; 211/69.1-69.9

[56] **References Cited**

U.S. PATENT DOCUMENTS

- D. 156,471 12/1949 Winchester D11/146
- D. 214,331 6/1969 Greaney D7/507
- D. 248,713 8/1978 Dedrick D7/507
- D. 262,253 12/1981 Vennola D7/507
- D. 263,544 3/1982 Vennola D7/507
- D. 295,004 4/1988 Schulz et al. D6/495

- D. 330,420 10/1992 Nottage D24/130
- D. 338,426 8/1993 Horvath D11/146
- 2,101,401 12/1937 Leppke D7/505 X
- 5,052,649 10/1991 Hunnicutt .
- 5,102,086 4/1992 Thomason .
- 5,141,194 8/1992 Burgess .

OTHER PUBLICATIONS

H8510 Glass Vase ©1971, The Glass of F. Carder. Crystal Candle Holder, Gift and Art Buyer Sep. 1957.

Primary Examiner—Alan P. Douglas
Assistant Examiner—M. N. Pandozzi
Attorney, Agent, or Firm—Terry M. Gernstein

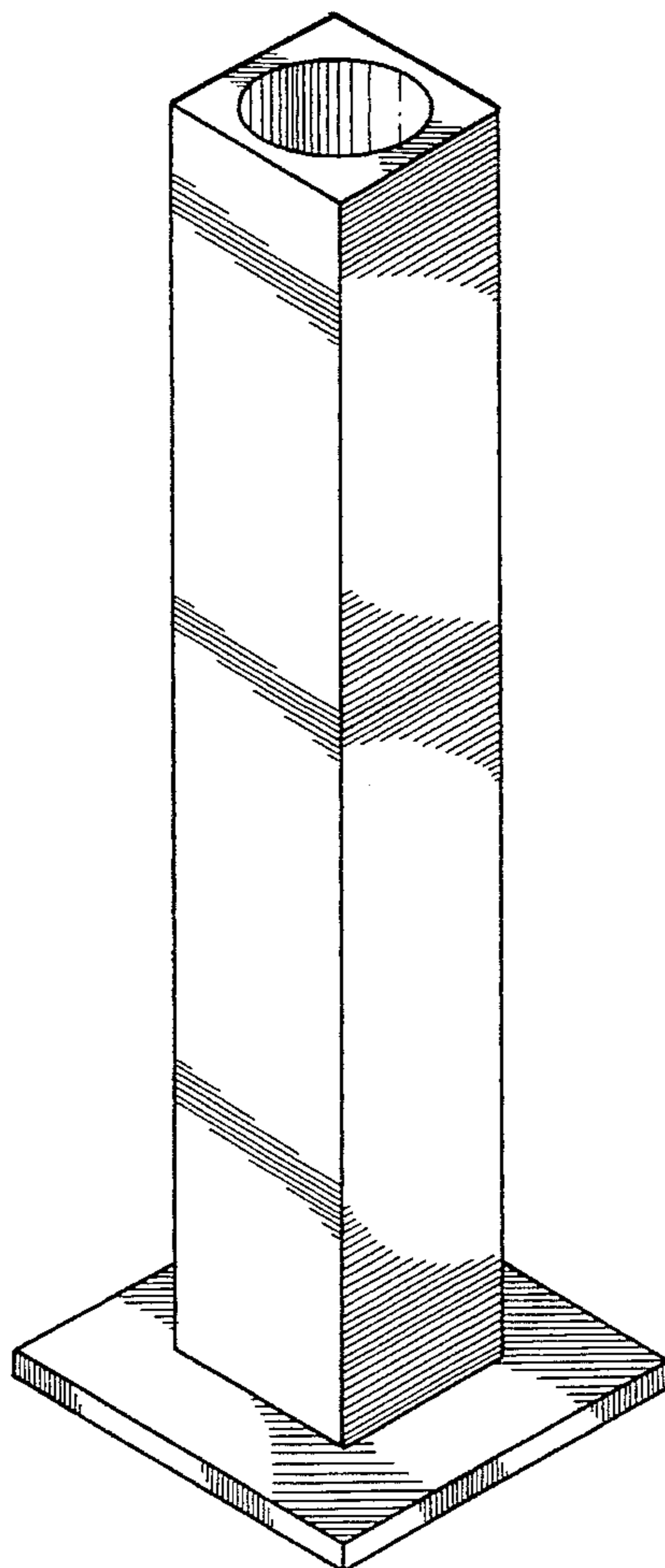
[57] **CLAIM**

The ornamental design for a beverage supporting stand, as shown and described.

DESCRIPTION

FIG. 1 is a front, top and side perspective view of the beverage supporting stand showing our new design; FIG. 2 is an elevational view thereof, all elevational views being identical; FIG. 3 is a top plan view thereof; and, FIG. 4 is a bottom plan view thereof.

1 Claim, 2 Drawing Sheets



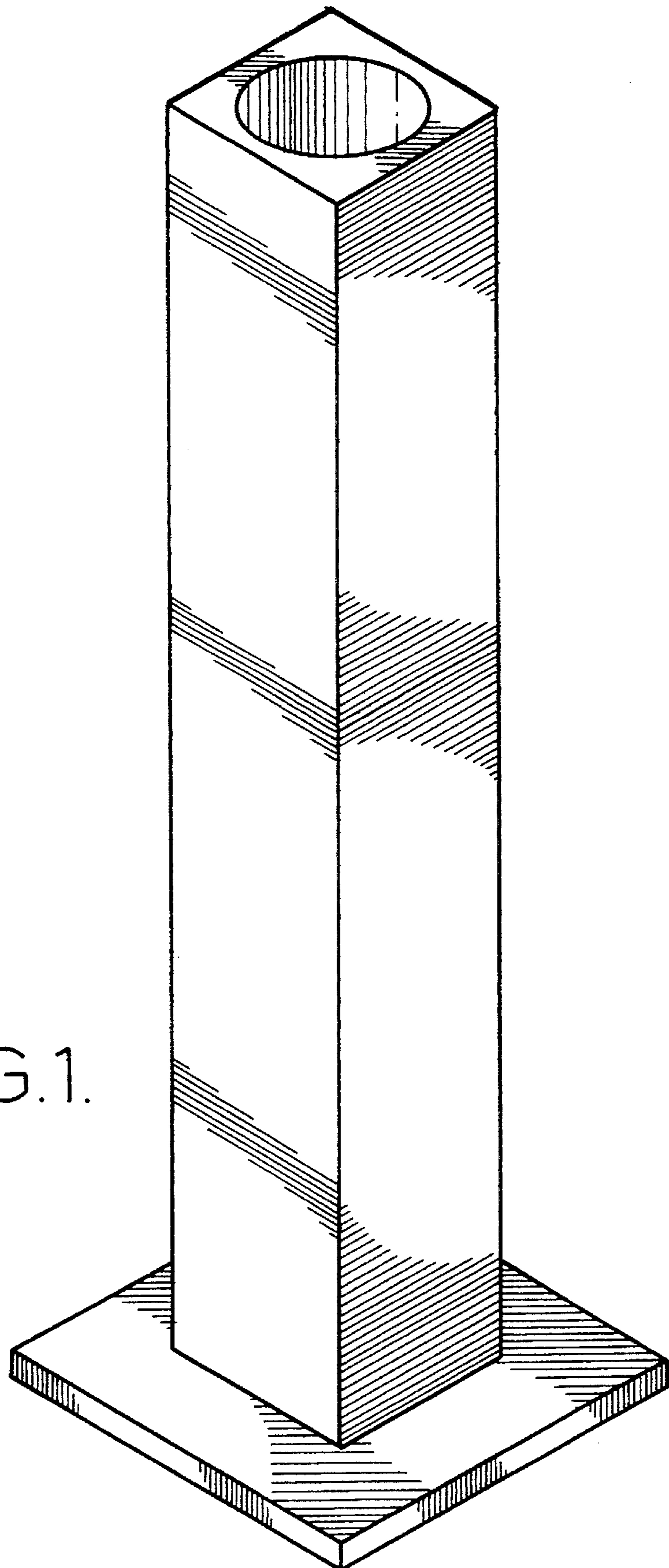


FIG.1.

FIG. 2.

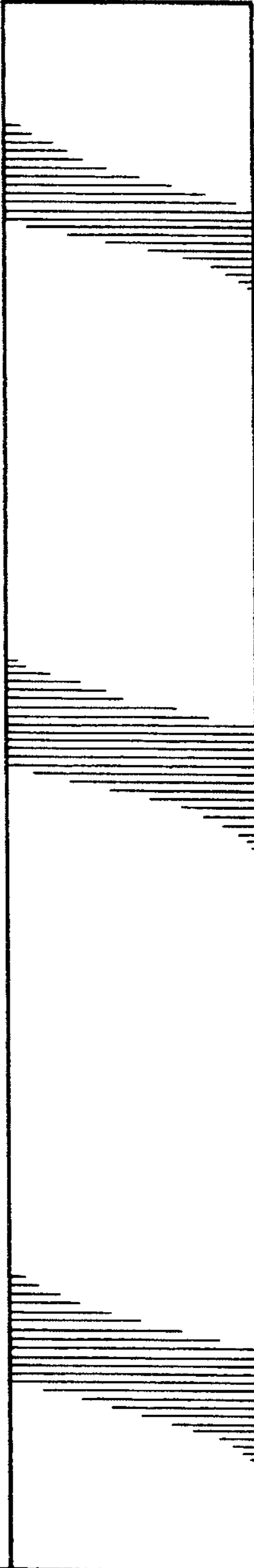


FIG. 3.

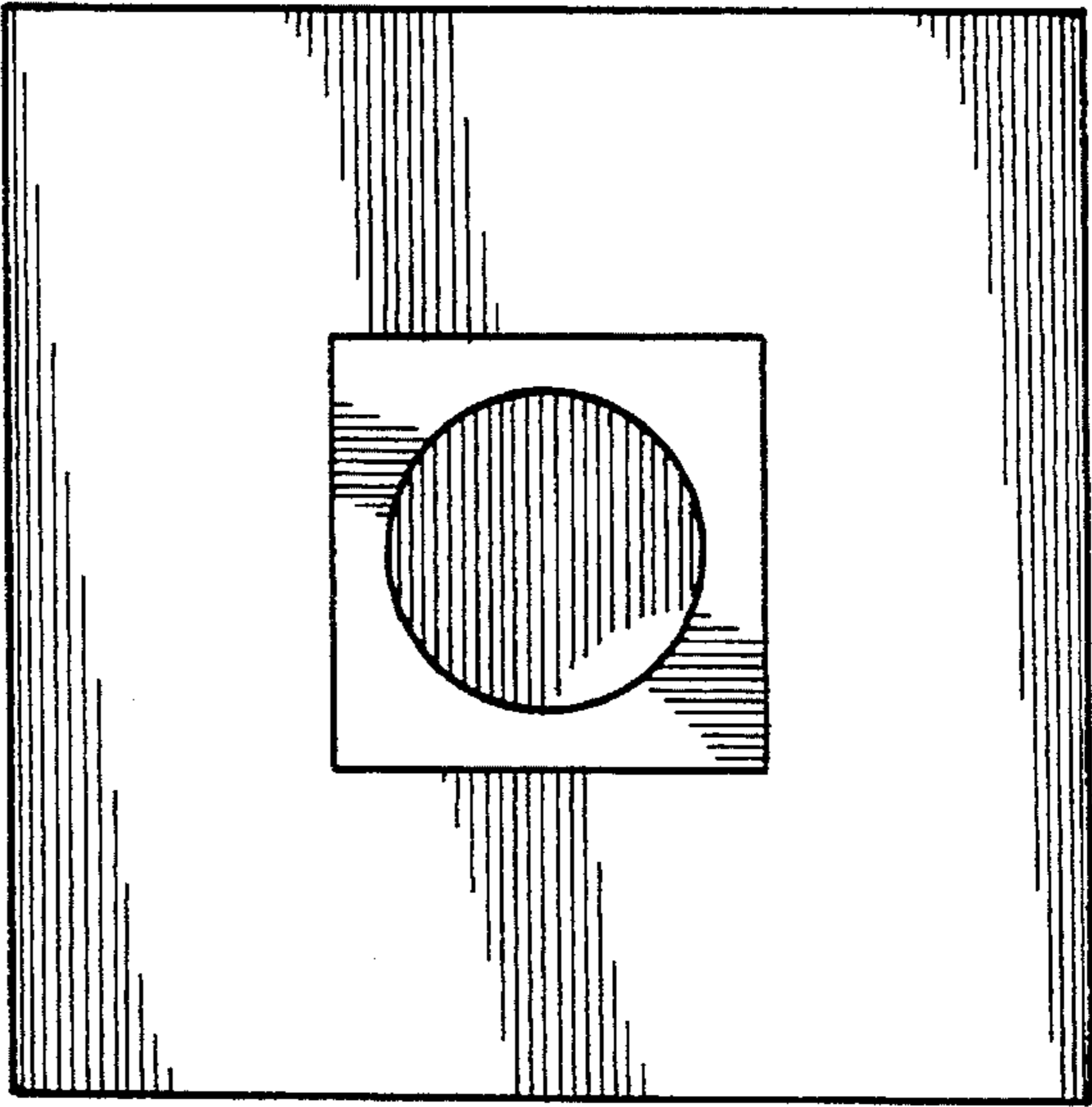


FIG. 4.

