



US00D362783S

United States Patent [19] Cruz

[11] Patent Number: **Des. 362,783**
[45] Date of Patent: ****Oct. 3, 1995**

[54] **PORTABLE FOOD MIXER**
[75] Inventor: **Anthony V. Cruz**, Richmond, Va.
[73] Assignee: **Hamilton Beach/Proctor-Silex, Inc.**,
Glen Allen, Va.
[**] Term: **14 Years**
[21] Appl. No.: **16,292**
[22] Filed: **Dec. 10, 1993**
[52] U.S. Cl. **D7/379**
[58] Field of Search **D7/376-380, 413;**
241/37.5, 92, 169.1, 282.1, 282.2; 366/37.5,
92, 169.1, 282.1, 282.2

Evans Catalog; 1991/92; p. 213y; #14 Hamilton Beach
5-Speed Hand Mixer.

Primary Examiner—Alan P. Douglas
Assistant Examiner—Caron D. Veynar
Attorney, Agent, or Firm—Roger S. Dybvig

[57] CLAIM

The ornamental design for a portable food mixer, as shown
and described.

DESCRIPTION

FIG. 1 is a left side elevational view of a portable food mixer
showing my new design;

FIG. 2 is a top plan view thereof;

FIG. 3 is a bottom plan view thereof;

FIG. 4 is a bottom, front and right side perspective view
thereof;

FIG. 5 is a front elevational view thereof; and,

FIG. 6 is a back elevational view thereof.

The broken line showing of the beaters and bowl in FIG. 4
is for illustrative purposes only and forms no part of the
claimed design.

[56] References Cited

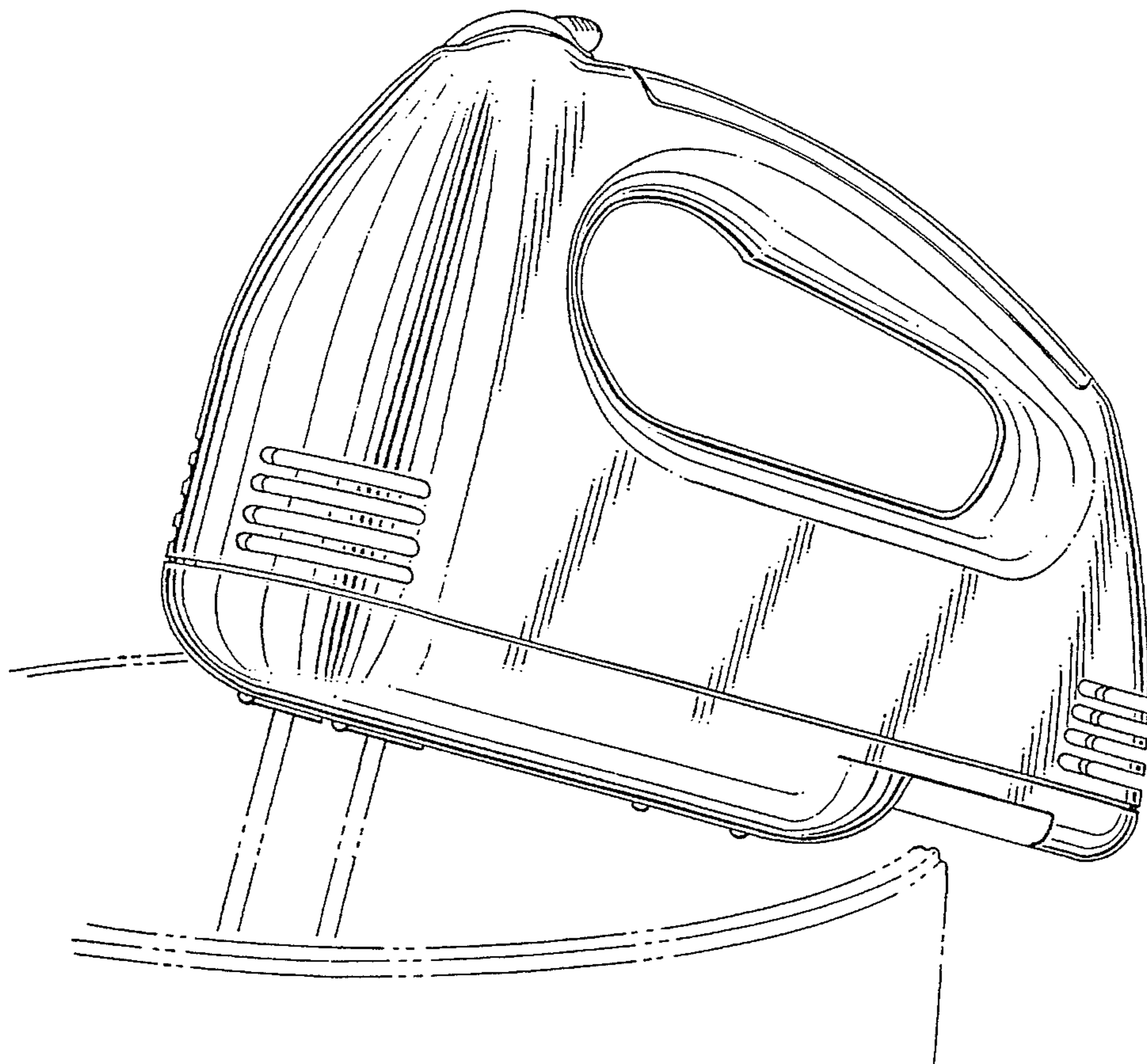
U.S. PATENT DOCUMENTS

D. 165,924	2/1952	McFarland et al.	D7/379
D. 177,440	4/1956	Talge et al.	D7/379
D. 309,079	7/1990	Petrie et al.	D7/379
D. 309,081	7/1990	Thomas	D7/379
D. 315,080	3/1991	Naft	D7/379
D. 345,888	4/1994	Joss et al.	D7/379
2,745,644	5/1956	Von Behren	D7/379

OTHER PUBLICATIONS

Front and back cover pages and pp. 6 and 7 of the "1993/94
Hamilton Beach/Proctor-Silex Catalog," Published Apr.
1993 by Hamilton Beach/Proctor-Silex, Inc.

1 Claim, 2 Drawing Sheets



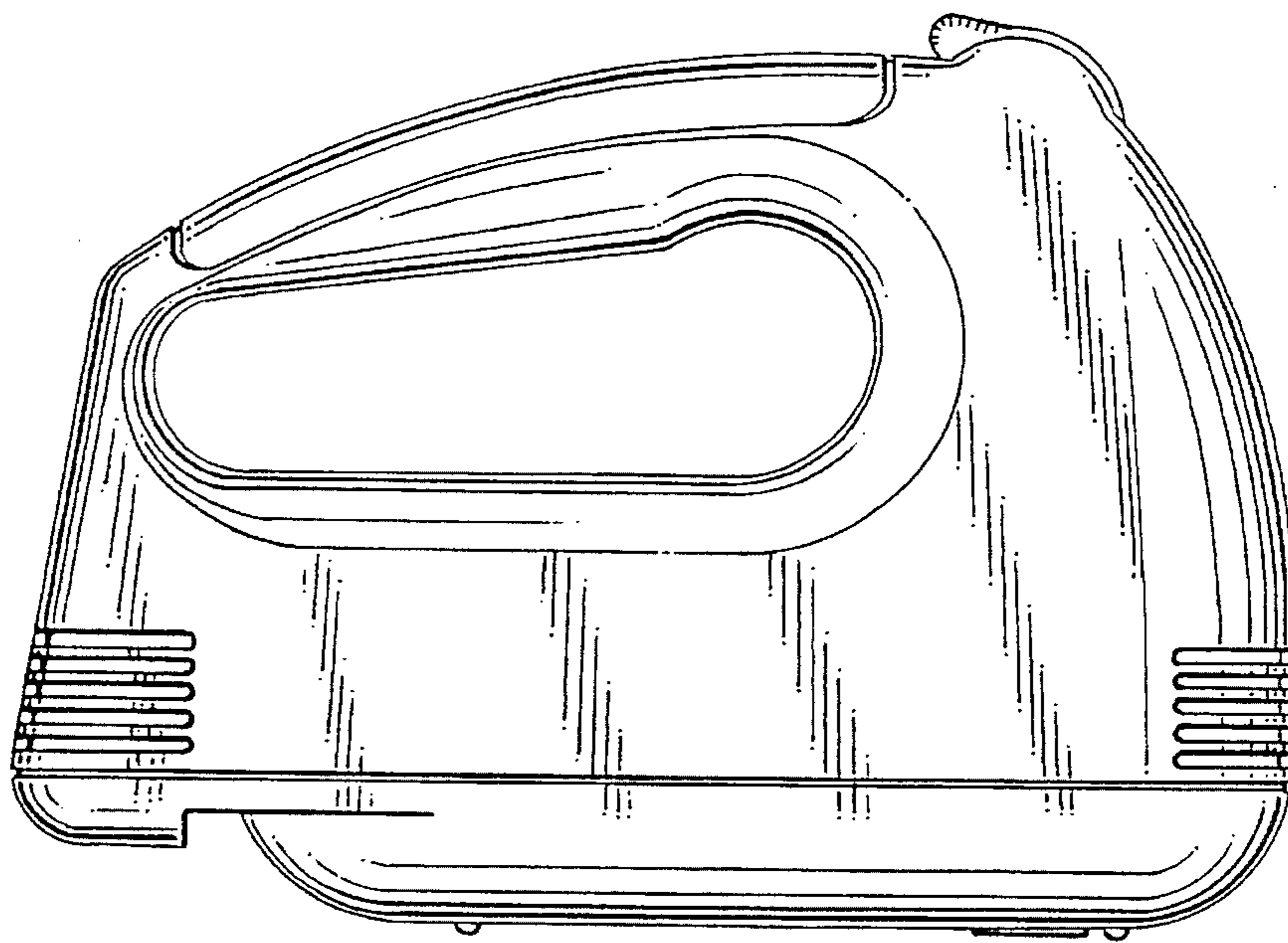


FIG. 1

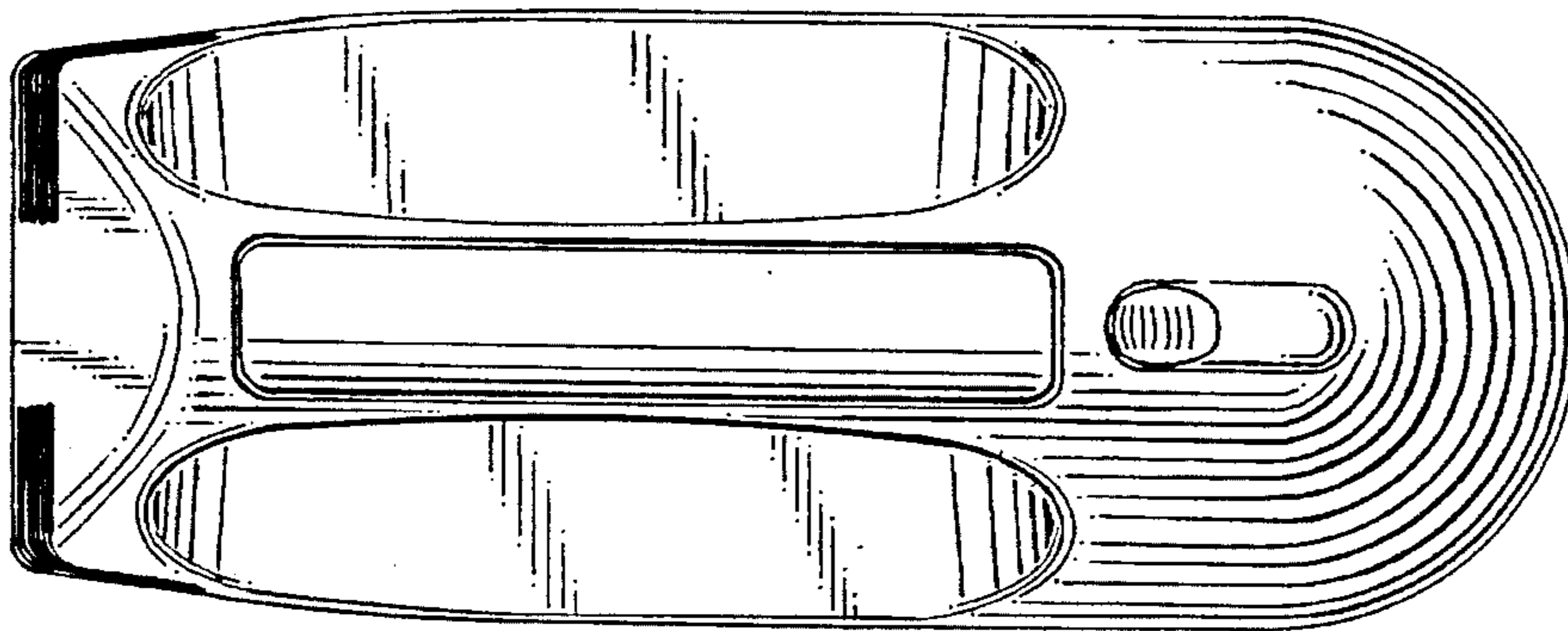


FIG. 2

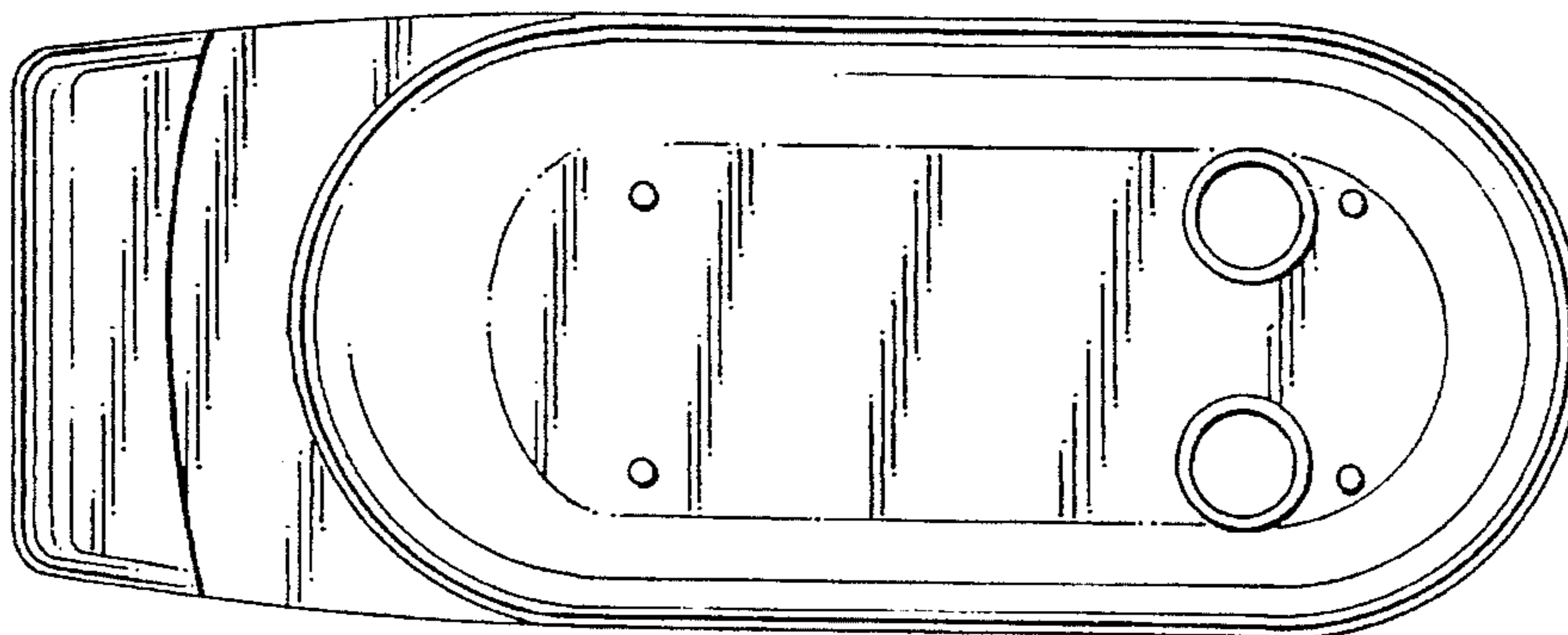


FIG. 3

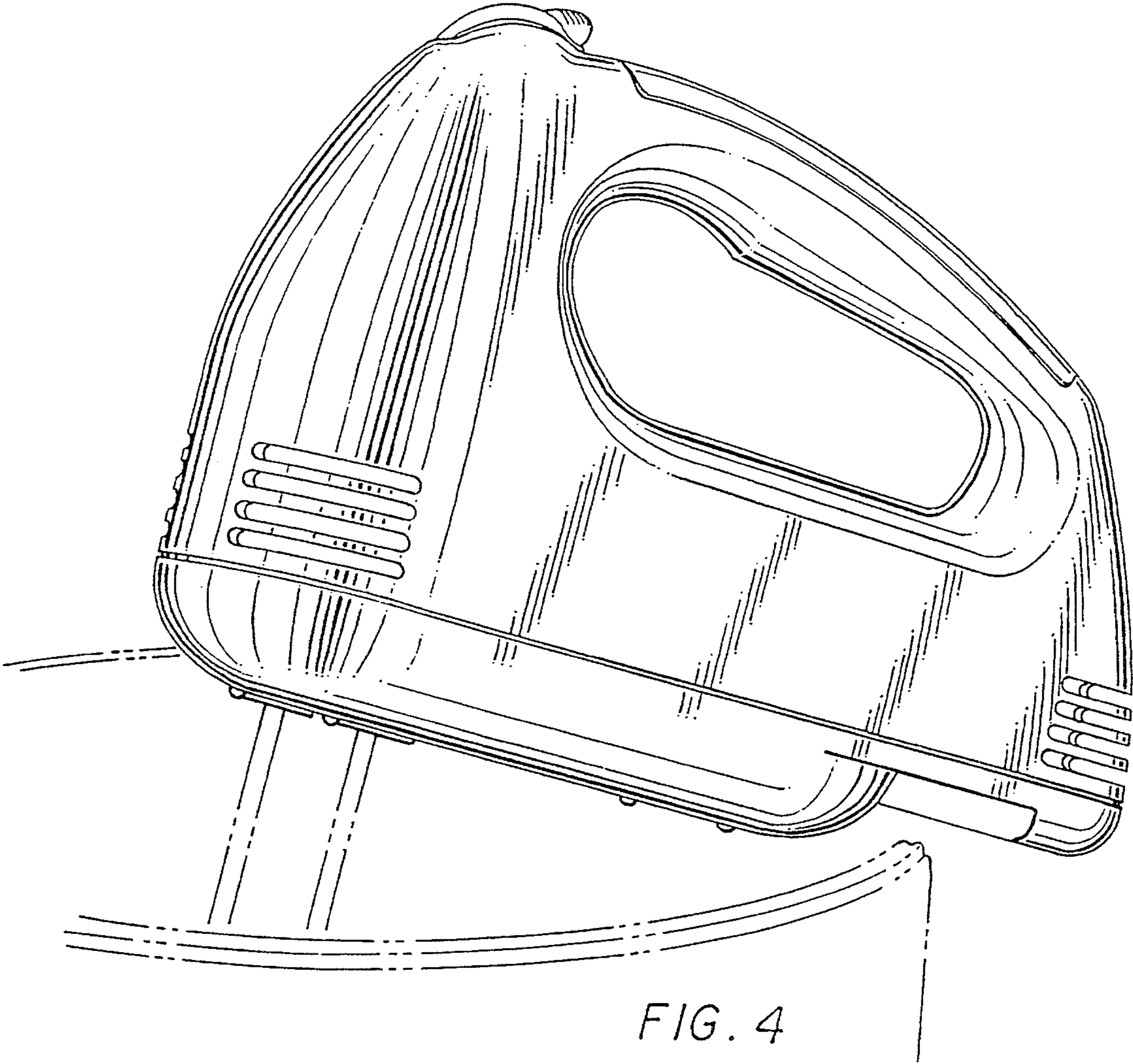


FIG. 4

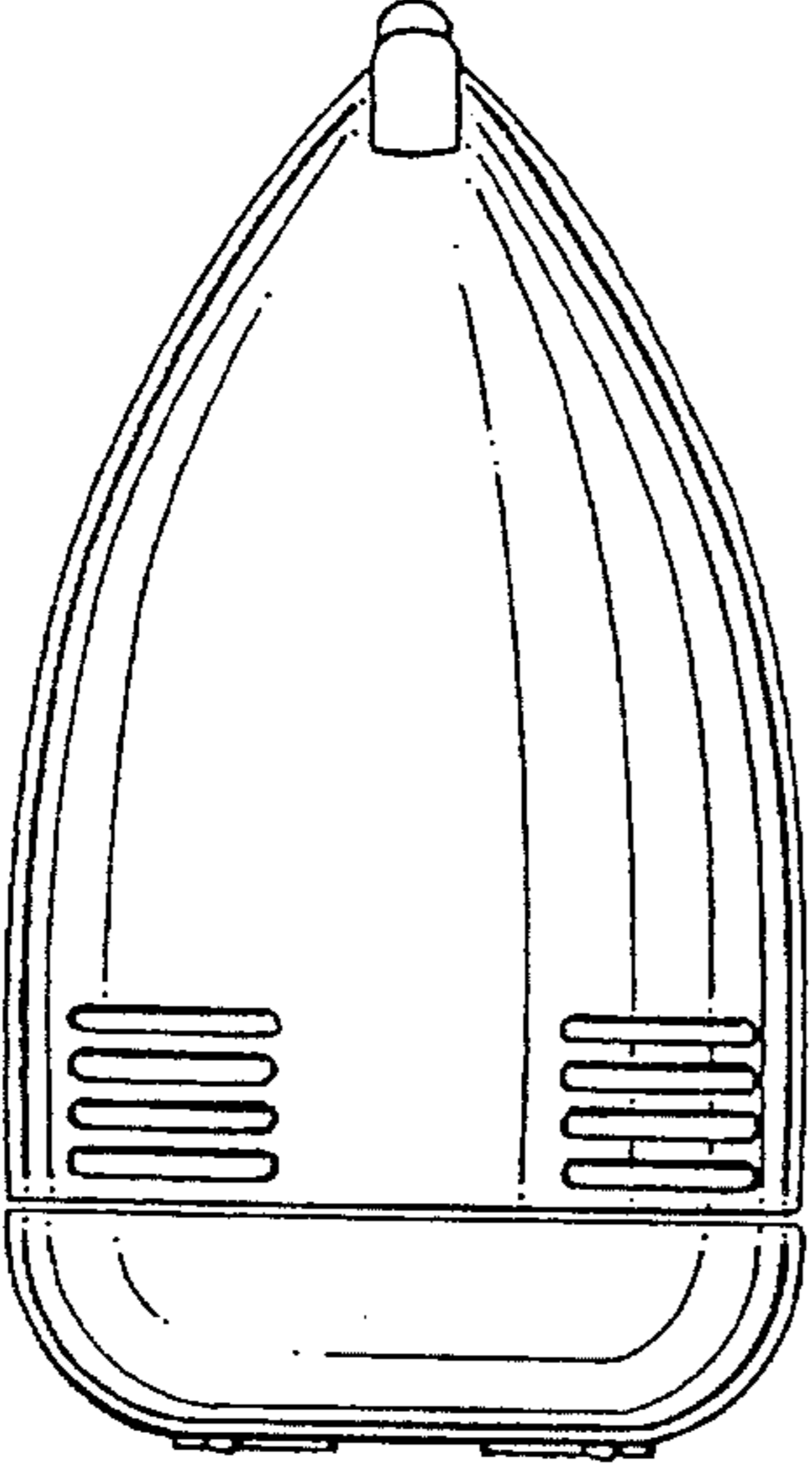


FIG. 5

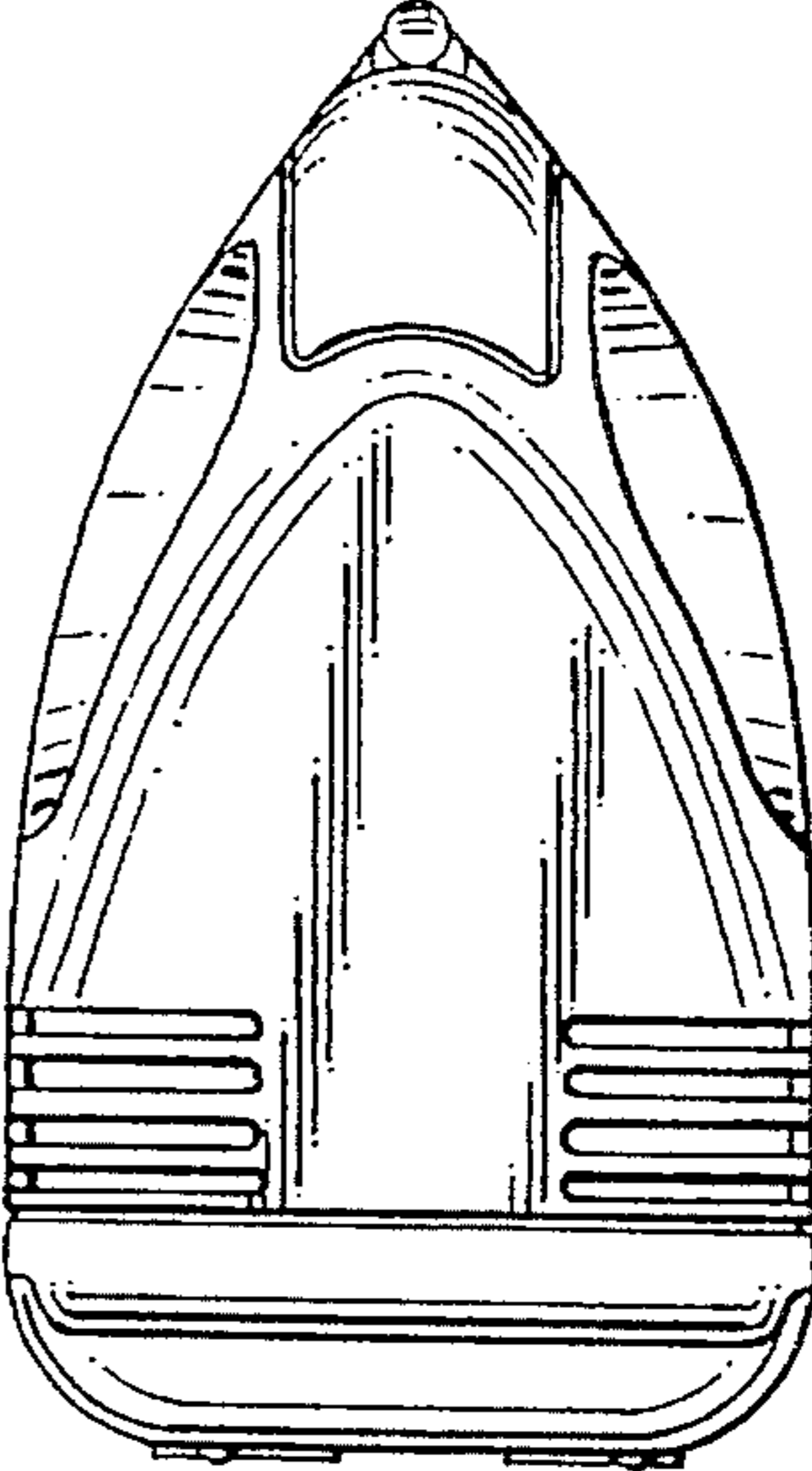


FIG. 6