



US00D362781S

United States Patent [19]

[11] Patent Number: **Des. 362,781**

Gould et al.

[45] Date of Patent: ****Oct. 3, 1995**

[54] DISKETTE STORAGE FILE

| | | | |
|-----------|--------|--------------|-------------|
| 4,193,218 | 3/1980 | Mermelstein | 40/374 |
| 4,691,826 | 9/1987 | Ozeki | 206/308.3 X |
| 5,393,157 | 2/1995 | Basmajian | 206/308.3 X |
| 5,402,896 | 4/1995 | Gould et al. | 211/40 X |

[75] Inventors: **David S. Gould**, Duluth; **Stephen P. Chininis**, Norcross, both of Ga.

[73] Assignee: **Gould Plastics, Inc.**, Lawrenceville, Ga.

Primary Examiner—Alan P. Douglas
Assistant Examiner—S. Snapp
Attorney, Agent, or Firm—Jones & Askew

[**] Term: **14 Years**

[57] CLAIM

[21] Appl. No.: **29,959**

The ornamental design for a diskette storage file, as shown.

[22] Filed: **Oct. 20, 1994**

DESCRIPTION

[52] U.S. Cl. **D6/630; D6/407**

[58] Field of Search D6/407, 626-635;
D19/90; 312/9.1, 9.7; 206/307.1, 308.1,
308.3, 313, 312, 387.1, 387.13, 387.15;
211/40, 41, 42

FIG. 1 is a front side perspective view of a diskette storage file of the present invention;
FIG. 2 is a front side elevational view thereof;
FIG. 3 is a top plan view thereof;
FIG. 4 is a right side elevation view thereof, it being understood that the left side elevational view is identical thereto;
FIG. 5 is a bottom plan view thereof; and,
FIG. 6 is a rear side elevational view thereof.

[56] References Cited

U.S. PATENT DOCUMENTS

| | | | |
|------------|---------|----------|----------|
| D. 321,283 | 11/1991 | Melk | D6/630 X |
| 2,968,882 | 1/1961 | Ozeki | 40/374 |
| 3,958,348 | 5/1976 | Sakamoto | 40/374 |

1 Claim, 3 Drawing Sheets

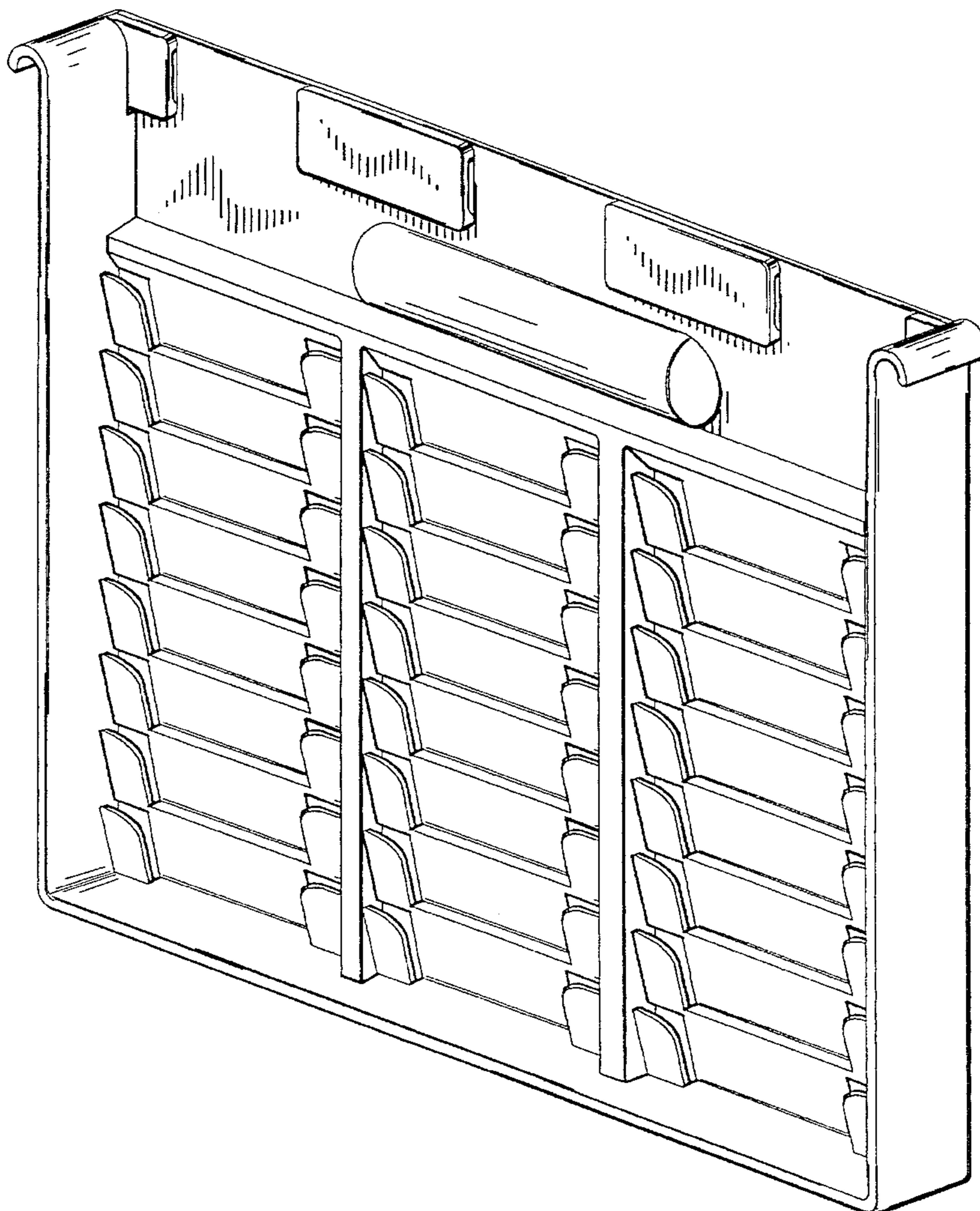
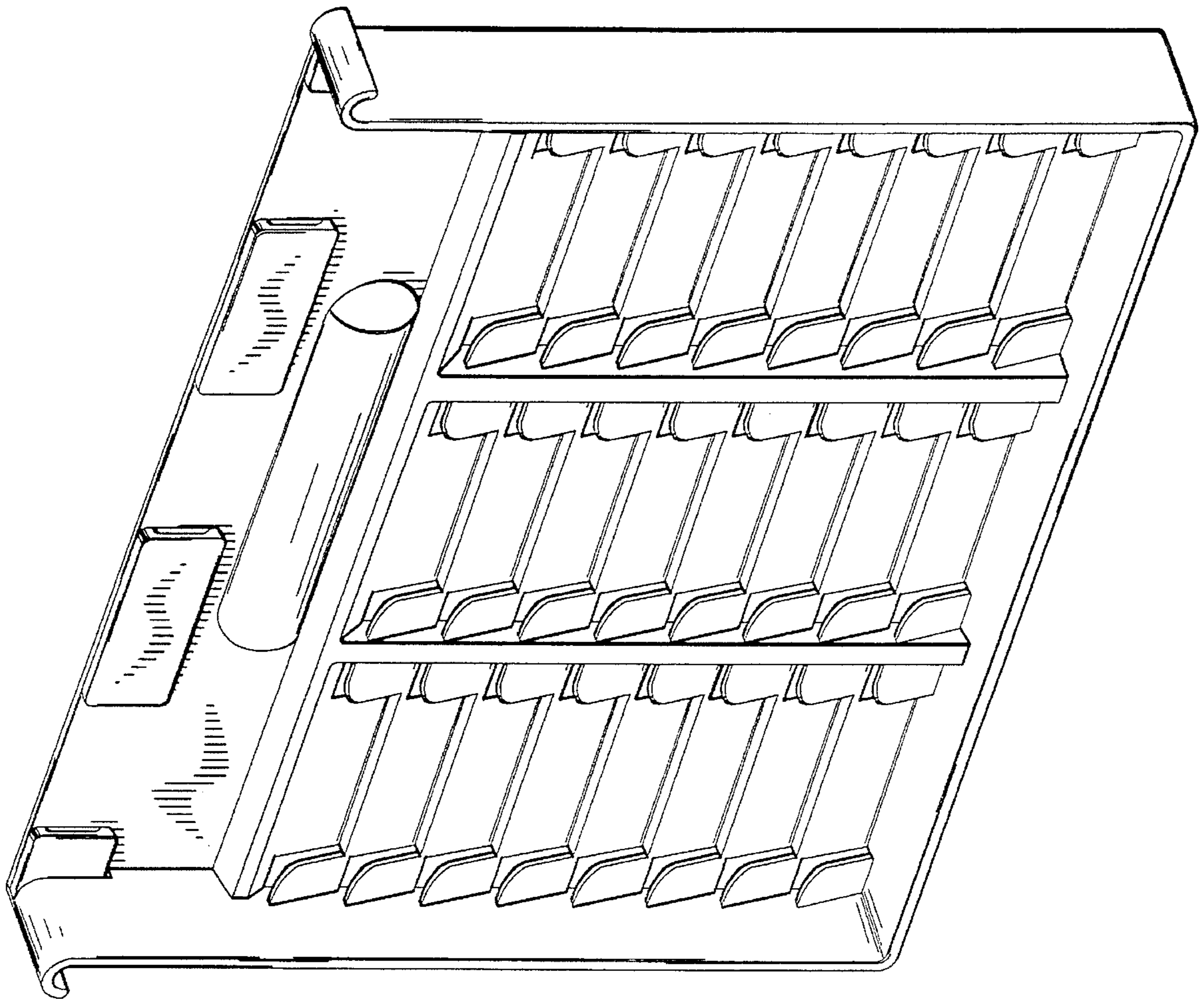


FIG. 1



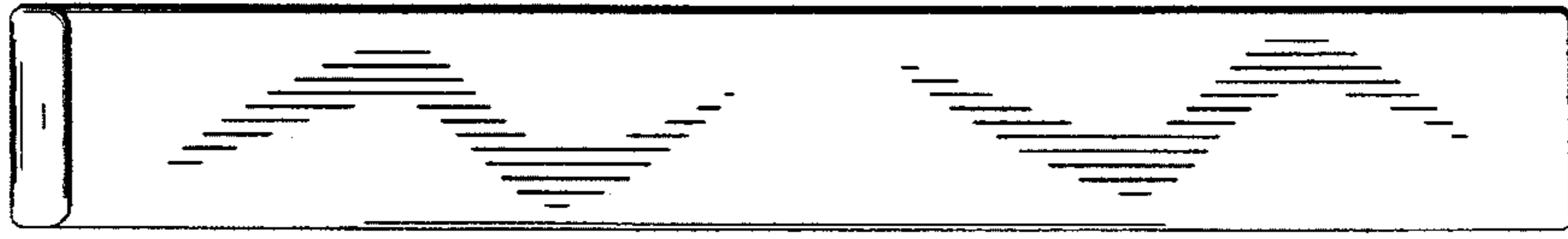


FIG. 4

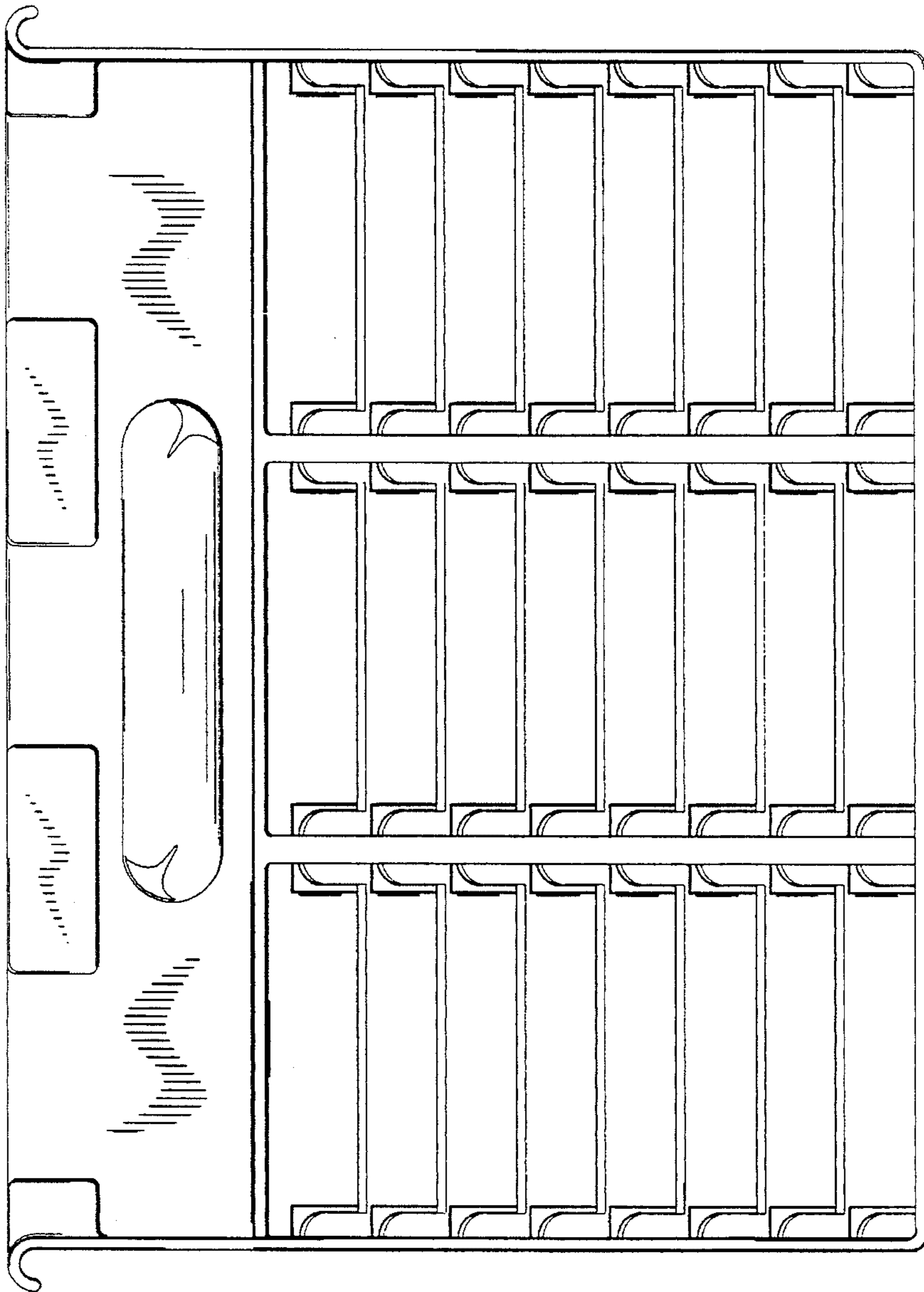


FIG. 2

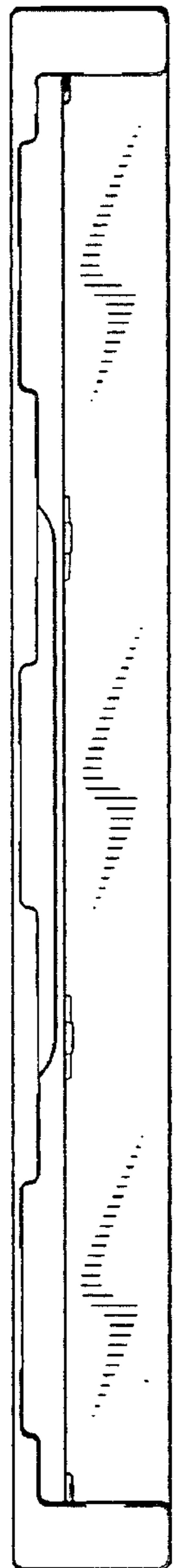


FIG. 3

FIG. 6

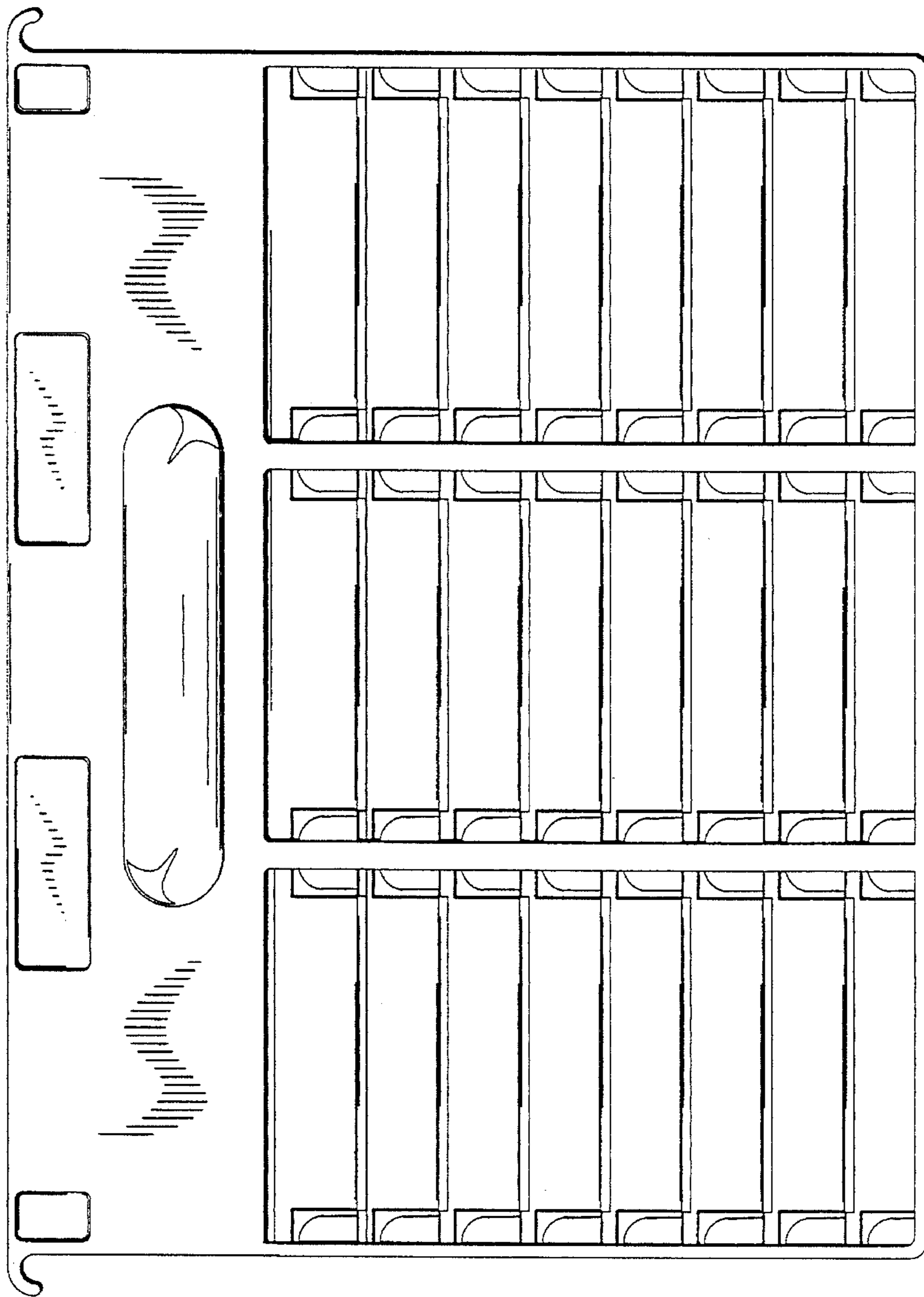


FIG. 5

