



US00D362779S

# United States Patent [19]

[11] Patent Number: **Des. 362,779**

Chen

[45] Date of Patent: **\*\*Oct. 3, 1995**

## [54] CLEANING TISSUE HOLDER

Primary Examiner—Brian N. Vinson

[76] Inventor: **Wen-Yen Chen**, 9F-4, 159, Section 3, Si-Men Road, Tainan, Taiwan

## [57] CLAIM

[\*\*] Term: **14 Years**

The ornamental design for cleaning tissue holder, as shown and described.

[21] Appl. No.: **27,157**

## DESCRIPTION

[22] Filed: **Aug. 15, 1994**

[52] U.S. Cl. .... **D6/567**; D6/518

[58] Field of Search ..... D6/567, 553, 518-519; 206/233; 211/45, 71, 86-89; 248/309.1, 311.2, 316.1, 905

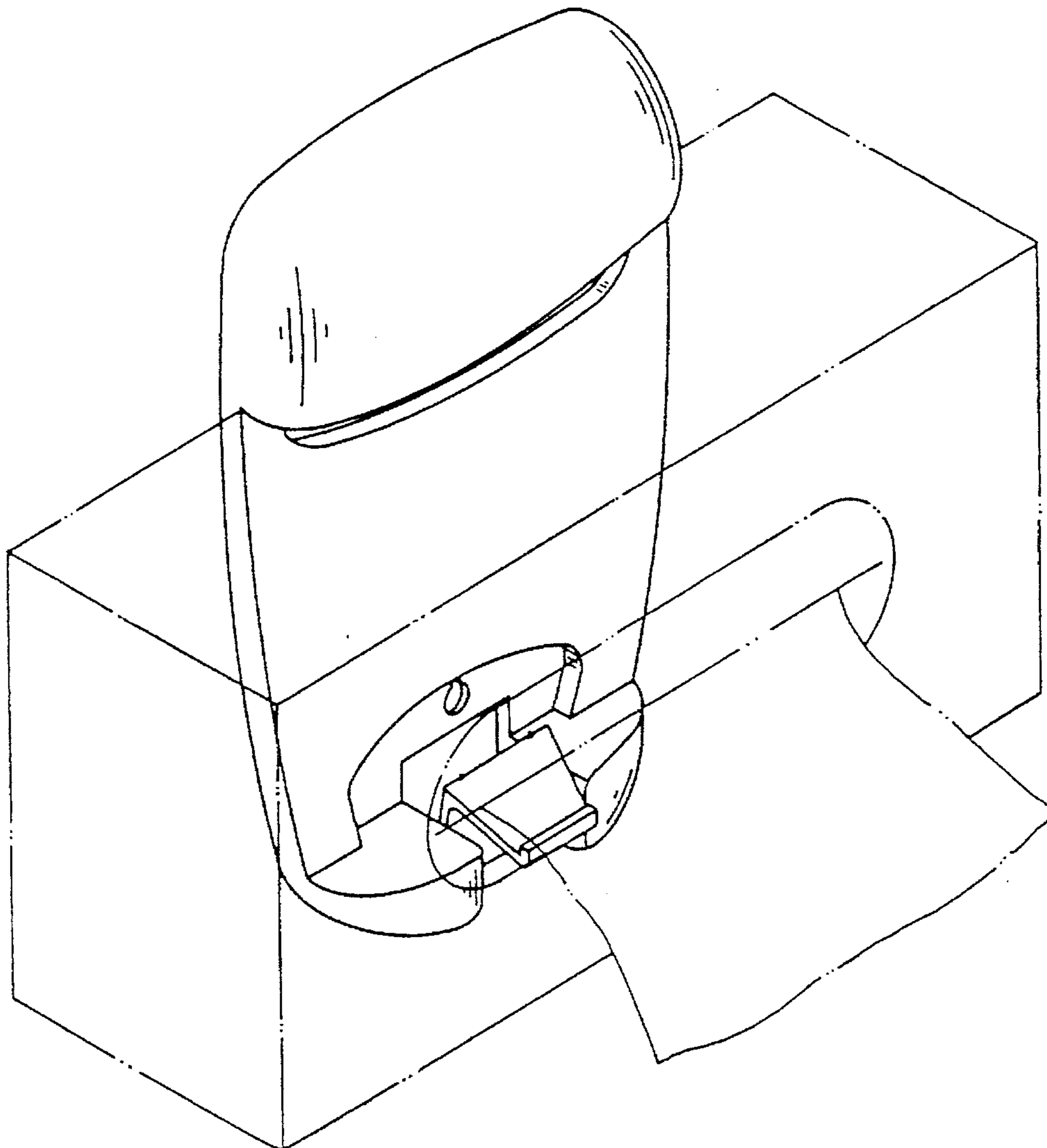
FIG. 1 is a top, front, and left side perspective view of cleaning tissue holder showing my new design; FIG. 2 is a front elevational view thereof; FIG. 3 is a rear elevational view thereof; FIG. 4 is a left side elevational view thereof; FIG. 5 is a right side elevational view thereof; FIG. 6 is a top plan view thereof; FIG. 7 is a bottom plan view thereof; and, FIG. 8 is a reduced top, front, and left side perspective view thereof, the broken-line disclosure of a container with protruding tissue being for illustrative purposes only and forming no part of the claimed design.

## [56] References Cited

### U.S. PATENT DOCUMENTS

D. 278,492	4/1985	Short	.....	D6/518
D. 293,182	12/1987	Carter	.....	D6/518
D. 298,396	11/1988	Gallego	.....	D6/518
D. 330,379	10/1992	Stevens	.....	D6/518
3,288,416	11/1966	Franklin	.....	248/905 X

**1 Claim, 5 Drawing Sheets**



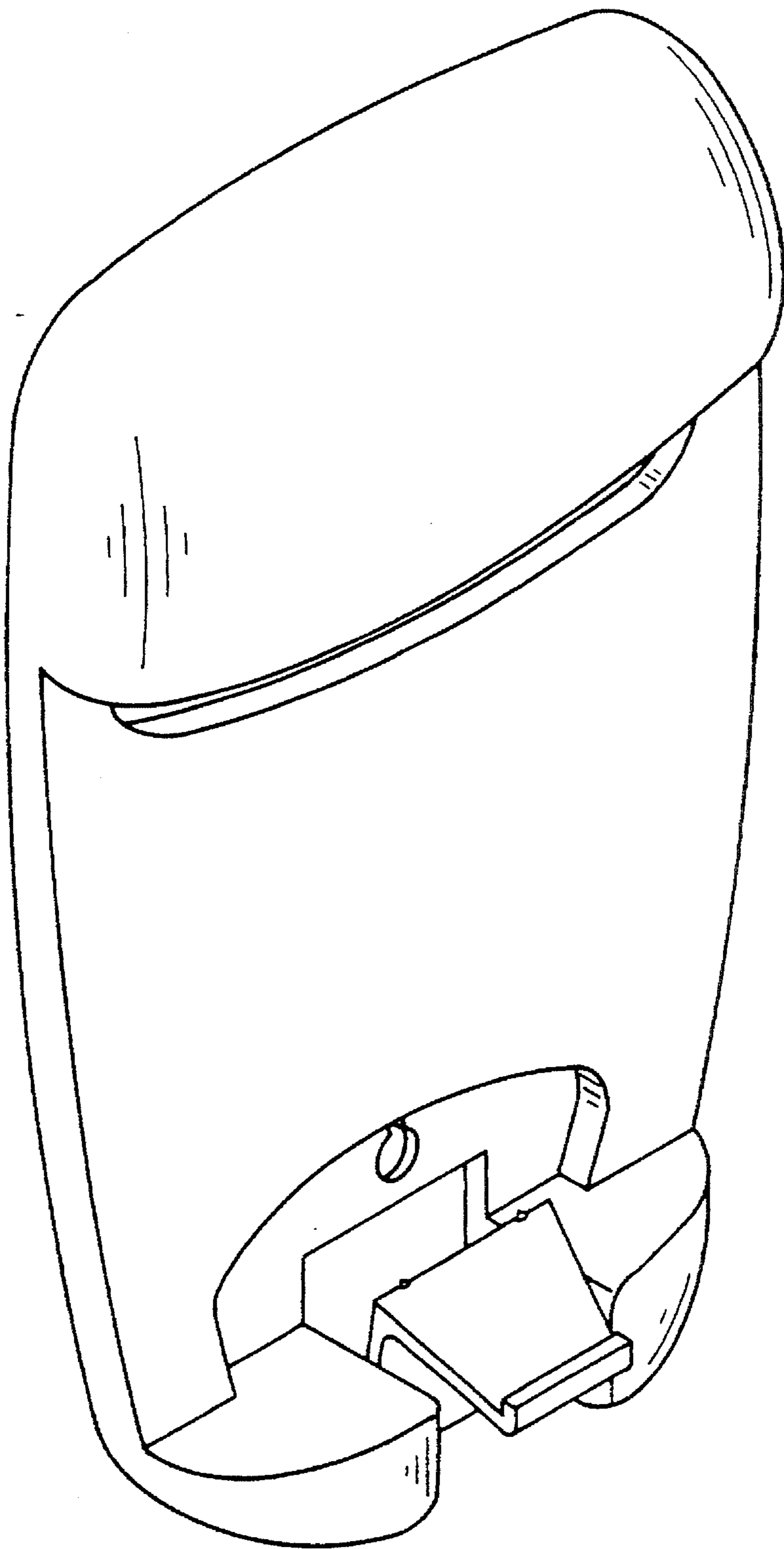


FIG. 1

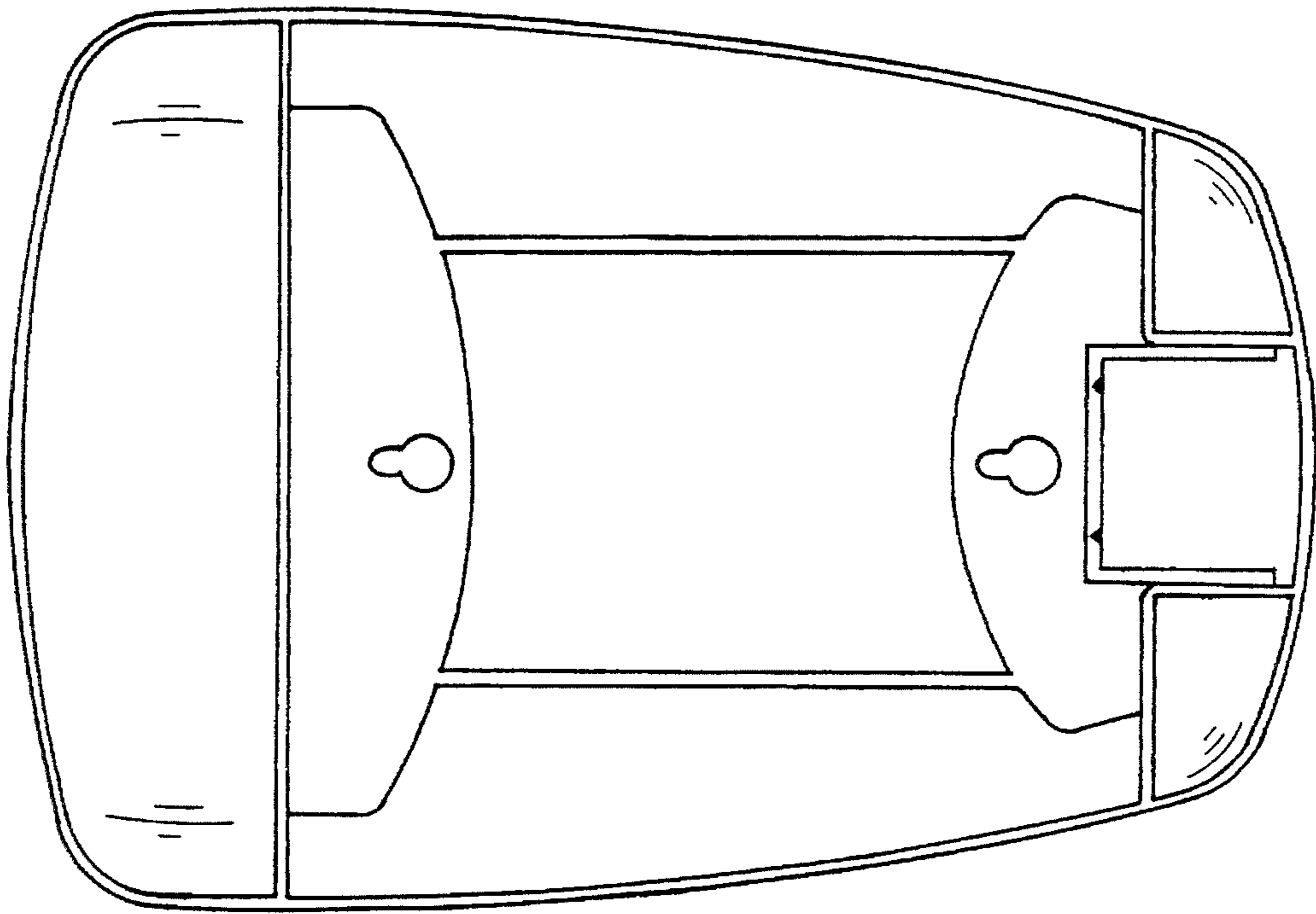


FIG. 2

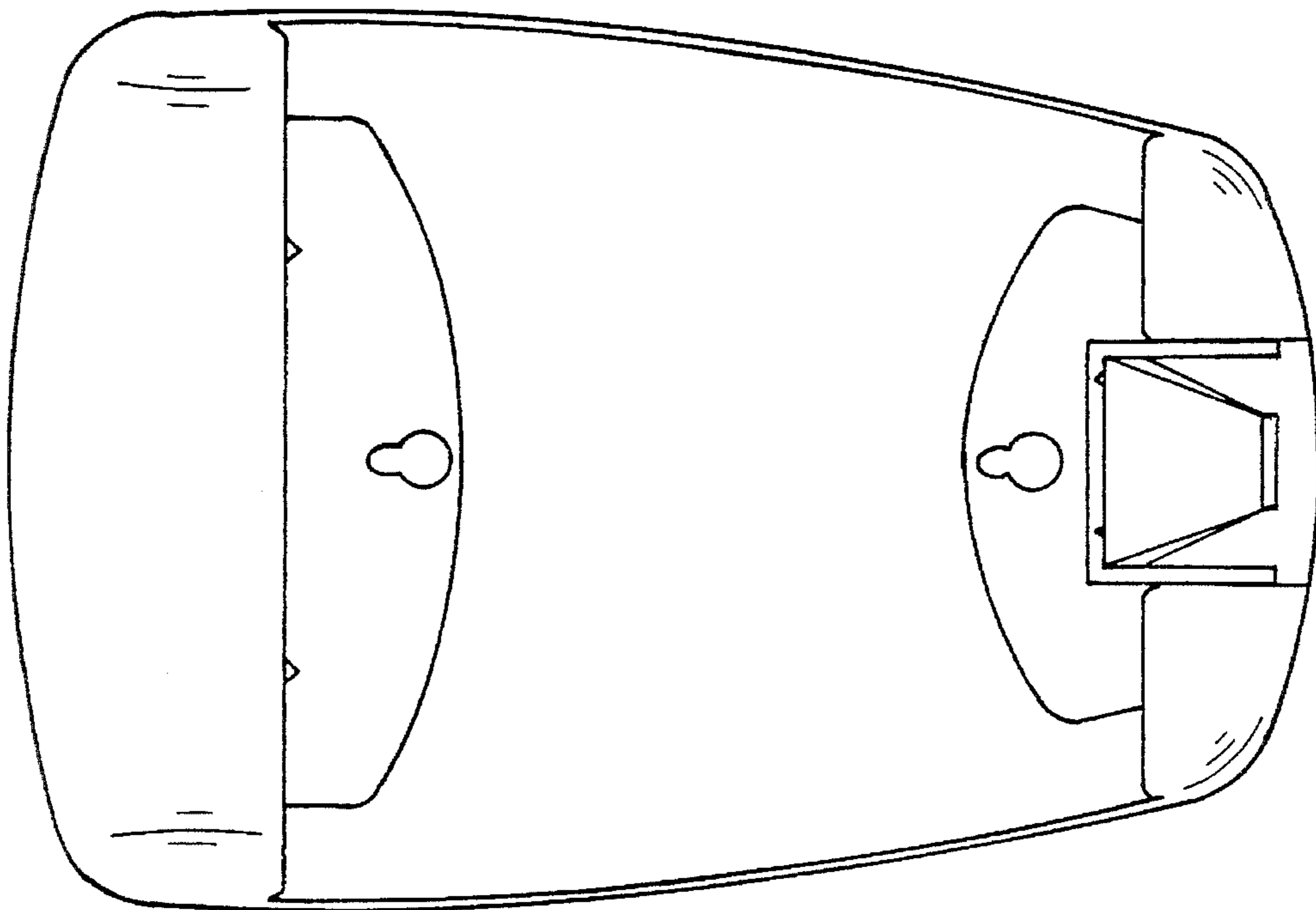


FIG. 3

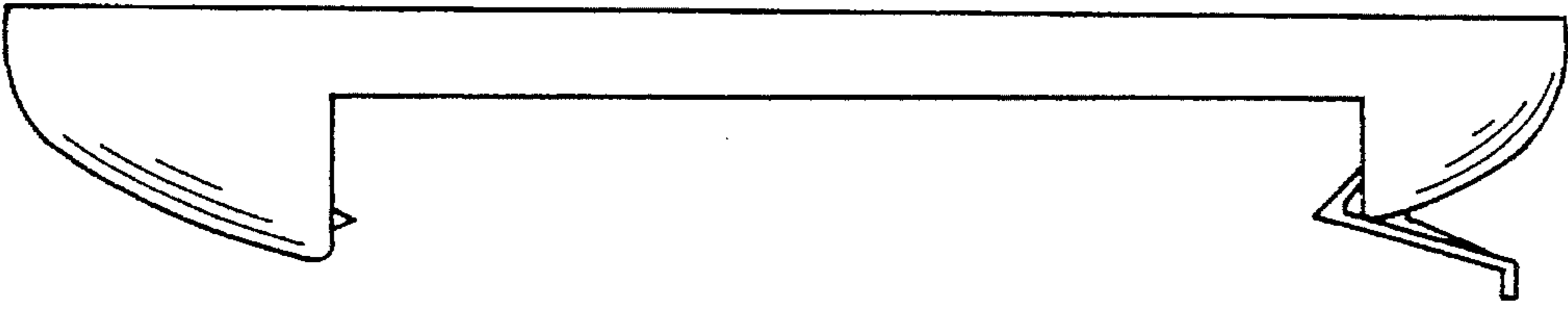


FIG. 5

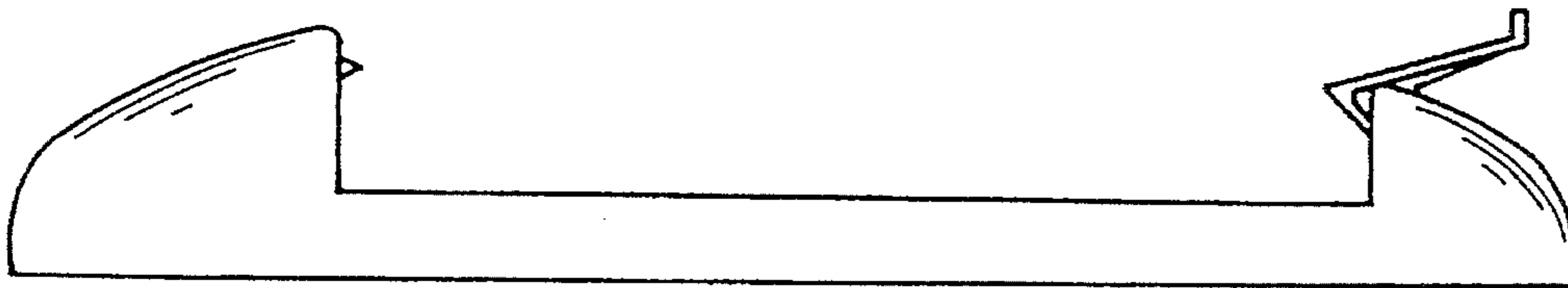


FIG. 4

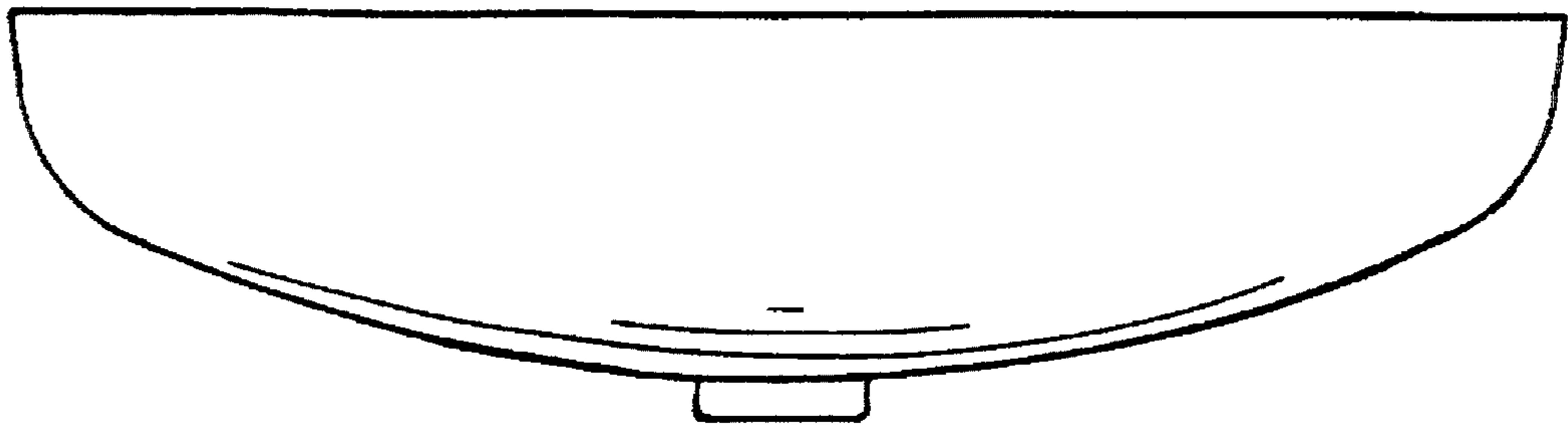


FIG. 6

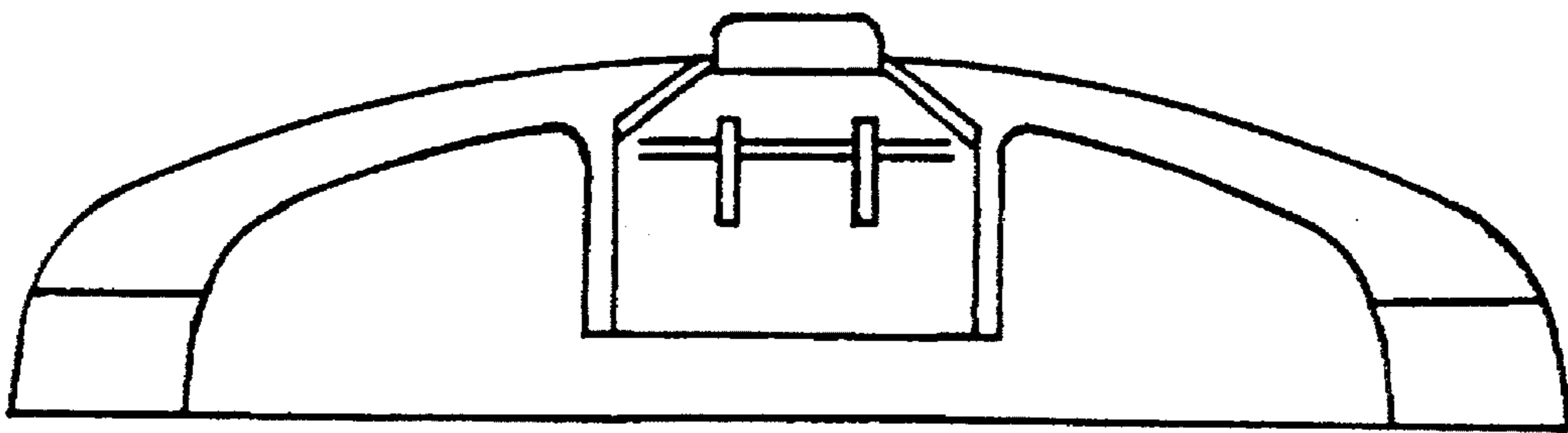


FIG. 7

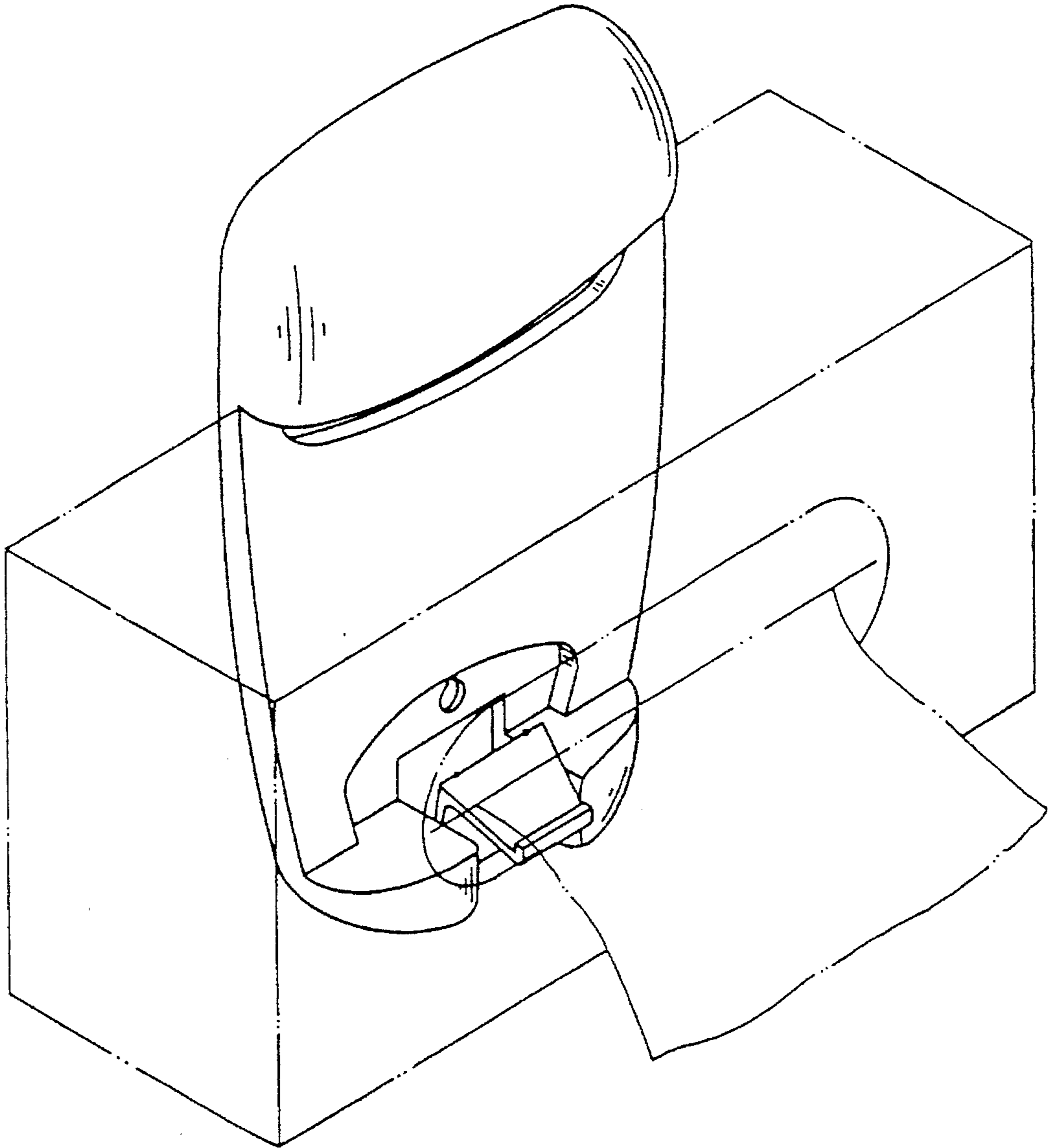


FIG. 8