



US00D362777S

United States Patent [19]

[11] Patent Number: **Des. 362,777**

Emery et al.

[45] Date of Patent: ****Oct. 3, 1995**

[54] **SHOWER CADDY**

3,789,996 2/1974 Stroh 211/119
3,923,162 12/1975 Hussey 211/119

[75] Inventors: **William W. Emery**, Berkeley Heights;
Russell A. Fritts, Warren, both of N.J.

Primary Examiner—Brian N. Vinson
Attorney, Agent, or Firm—Hopgood, Calimafde, Kalil &
Judlowe

[73] Assignee: **Better Sleep Mfg. Co.**, Berkeley
Heights, N.J.

[57] **CLAIM**

[**] Term: **14 Years**

The ornamental design for the article, shower caddy, as
shown.

[21] Appl. No.: **21,355**

DESCRIPTION

[22] Filed: **Apr. 13, 1994**

[52] U.S. Cl. **D6/566**

[58] Field of Search D6/524-525, 567,
D6/566; D11/131, 132, 134; 211/88, 106,
113, 119

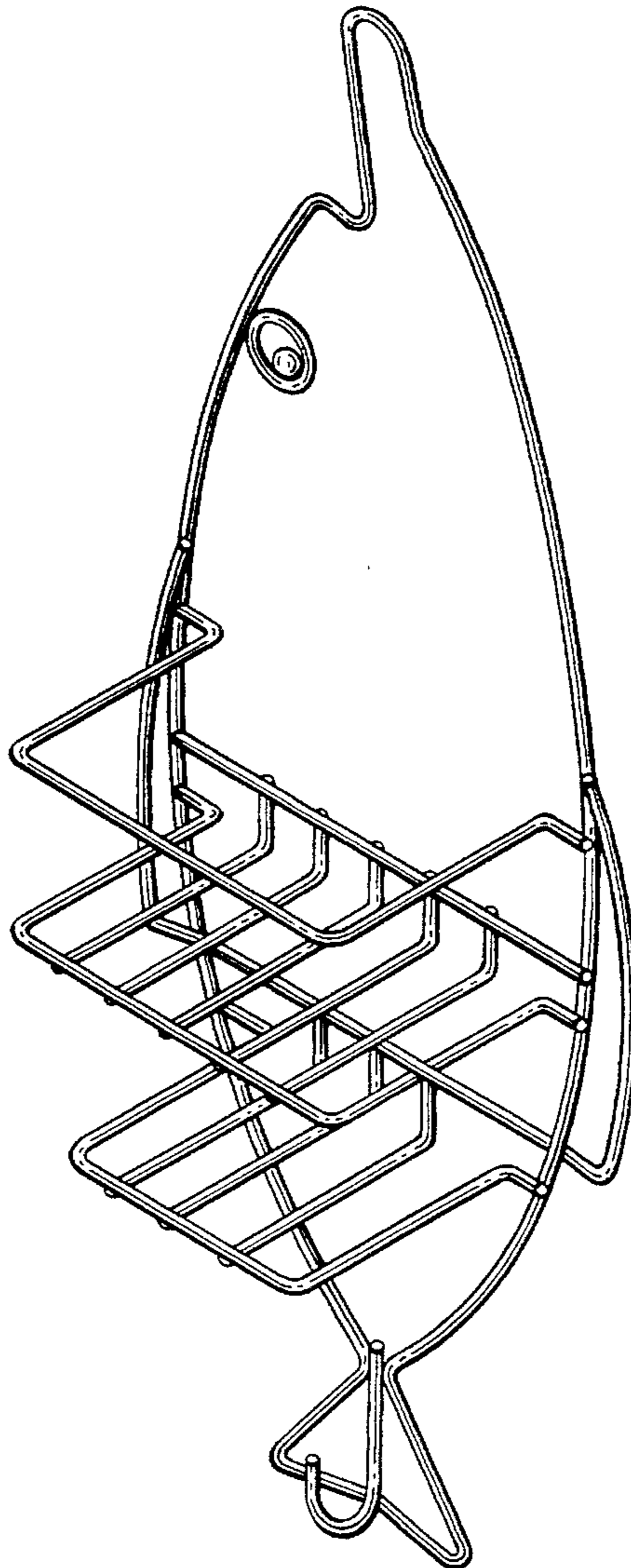
FIG. 1 is a perspective view of the shower caddy;
FIG. 2 is a top view of the shower caddy;
FIG. 3 is a front view of the shower caddy;
FIG. 4 is a left side view of the shower caddy;
FIG. 5 is a right side view of the shower caddy;
FIG. 6 is a rear view of the shower caddy; and,
FIG. 7 is a bottom view of the shower caddy.

[56] **References Cited**

U.S. PATENT DOCUMENTS

D. 315,840 4/1991 Emery D6/525
D. 351,750 10/1994 Sweeney D6/525

1 Claim, 4 Drawing Sheets



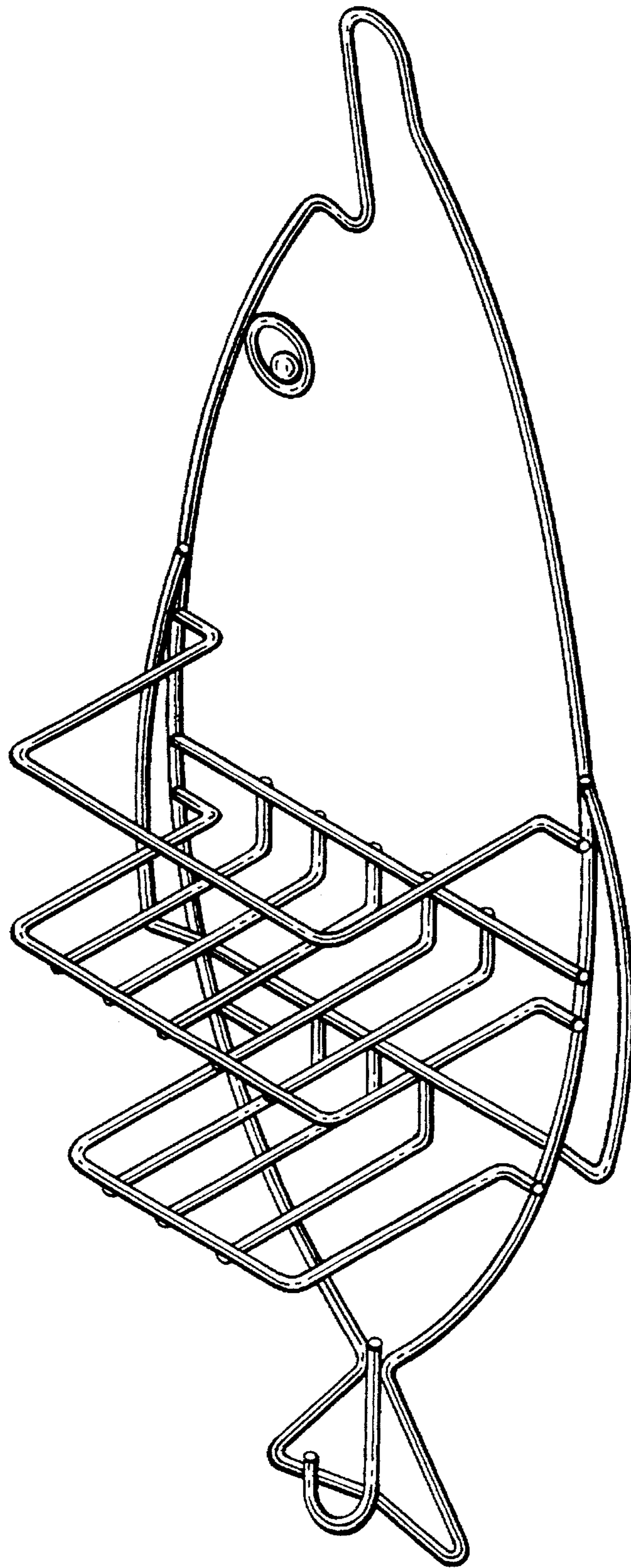


FIG. 1

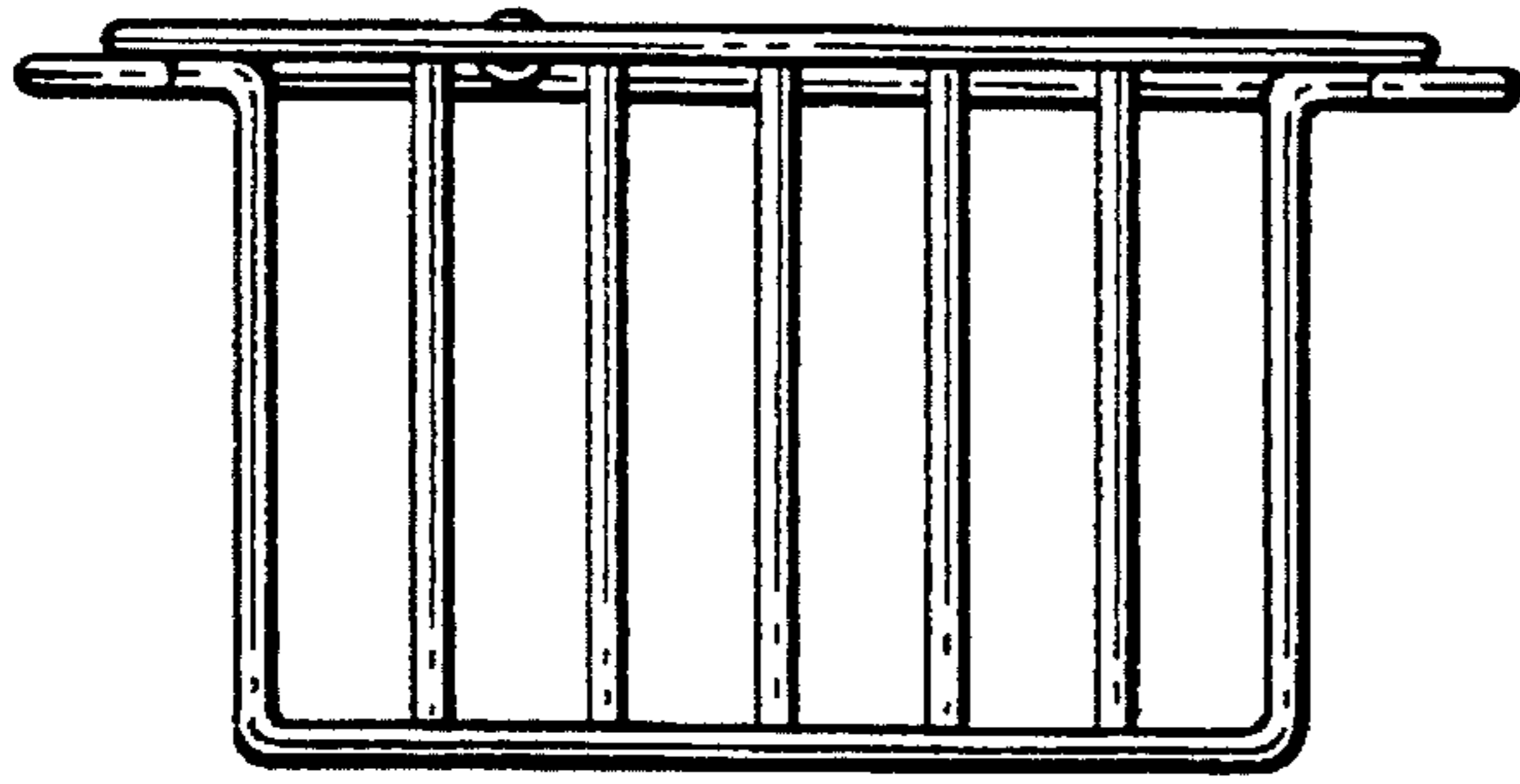


FIG. 2

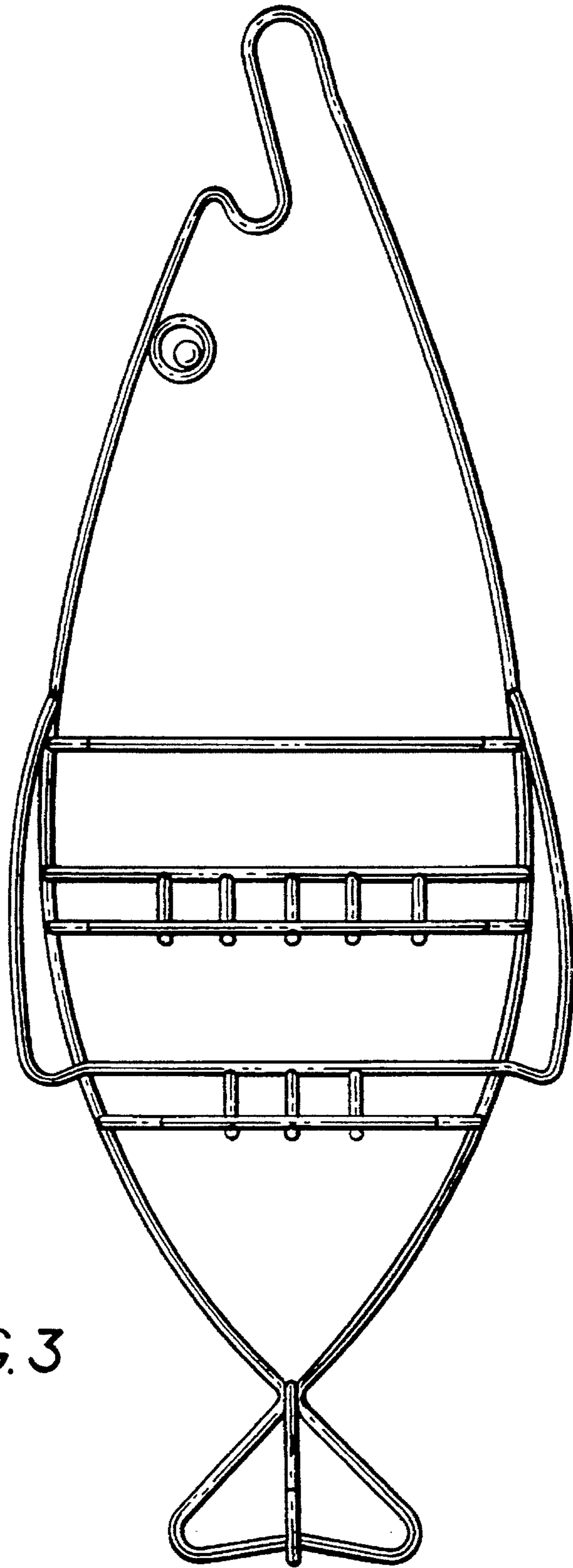


FIG. 3

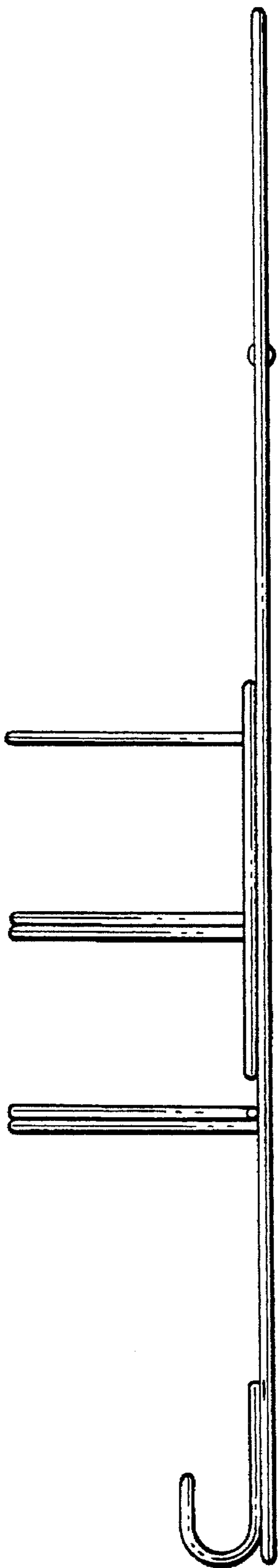


FIG. 4

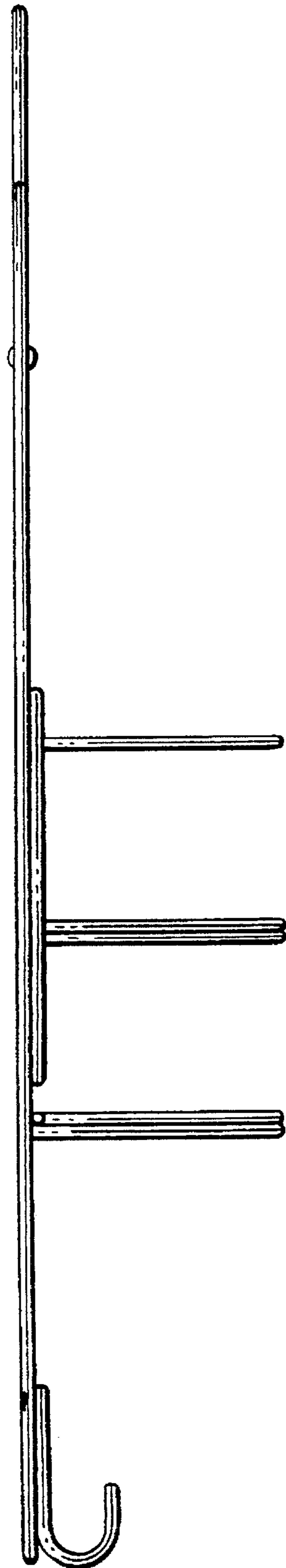


FIG. 5

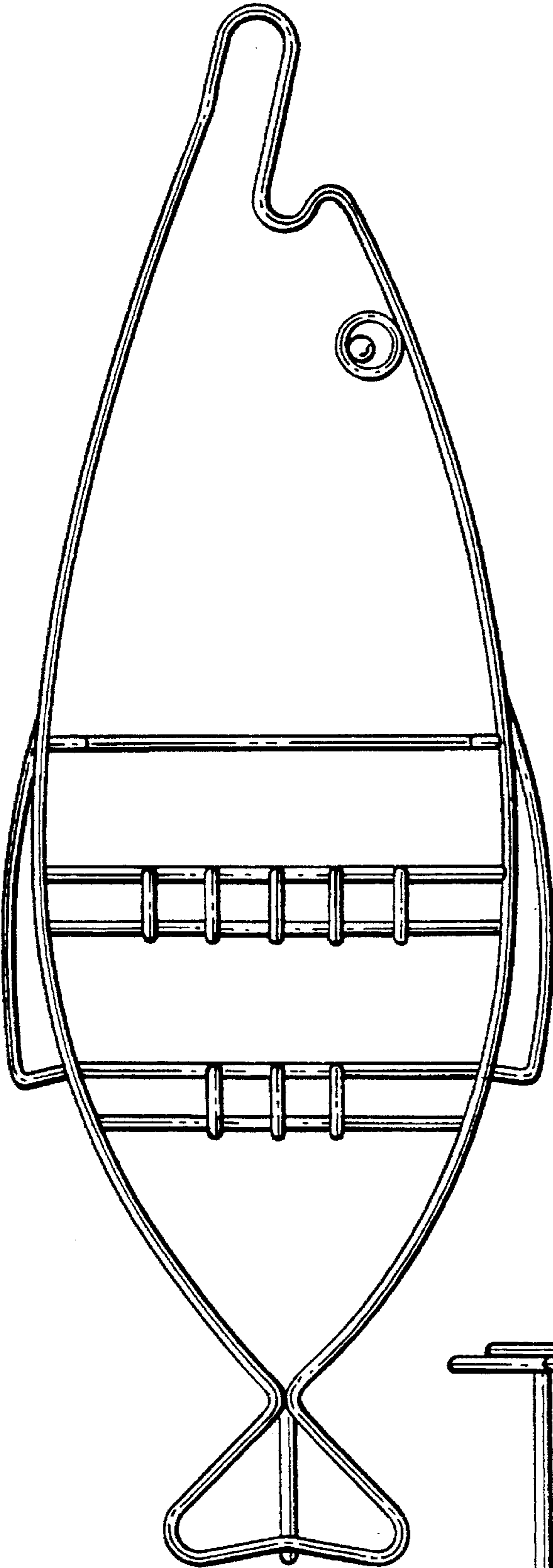


FIG. 6

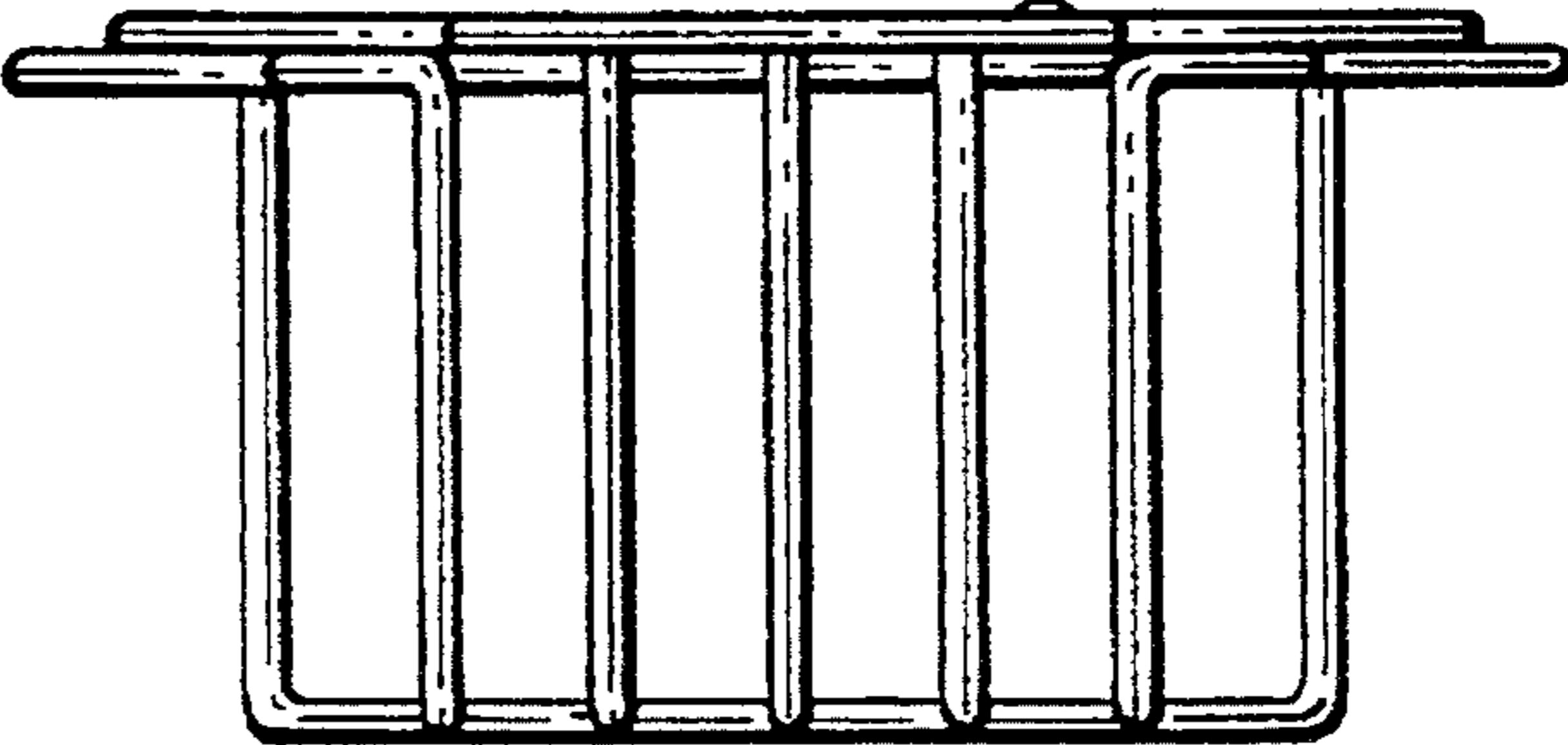


FIG. 7