



US00D362772S

# United States Patent [19]

[11] Patent Number: **Des. 362,772**

**Peart et al.**

[45] Date of Patent: **\*\*Oct. 3, 1995**

[54] **VDT CORNER UNIT ADAPTER**

*Primary Examiner*—Janice E. Seeger  
*Attorney, Agent, or Firm*—Carla J. Vrsansky

[75] Inventors: **Stephen Peart**, Los Gatos, Calif.; **Ross Lovegrove**, London, England

[57] **CLAIM**

[73] Assignee: **Westinghouse Electric Corporation**, Pittsburgh, Pa.

The ornamental design for a VDT corner unit adapter, as shown and described.

[\*\*] Term: **14 Years**

### DESCRIPTION

[21] Appl. No.: **20,313**

FIG. 1 is a perspective view of a VDT corner unit adapter showing our new design; the broken lines are for environmental purposes only and form no part of the claimed design;

[22] Filed: **Mar. 22, 1994**

[52] U.S. Cl. .... **D6/511; D6/482; D6/509**

FIG. 2 is a front elevational view thereof;

[58] Field of Search ..... D6/491, 406, 511, D6/482, 484, 423; 108/64, 65, 66, 182, 185; 312/203, 205

FIG. 3 is a top plan view thereof;

FIG. 4 is a rear elevational view thereof;

FIG. 5 is a bottom plan view thereof;

### [56] References Cited

#### U.S. PATENT DOCUMENTS

- D. 141,017 4/1945 Stanitz ..... D6/511
- D. 278,770 5/1985 Koguma ..... D6/423
- D. 342,634 12/1993 Barlow-Lawson ..... D6/482 X
- D. 352,407 11/1994 Rizzi ..... D6/482

FIG. 6 is a right side elevational view thereof;

FIG. 7 is a left side elevational view thereof; and,

FIG. 8 is an enlargement of the portion of the design encircled in FIG. 6.

**1 Claim, 4 Drawing Sheets**

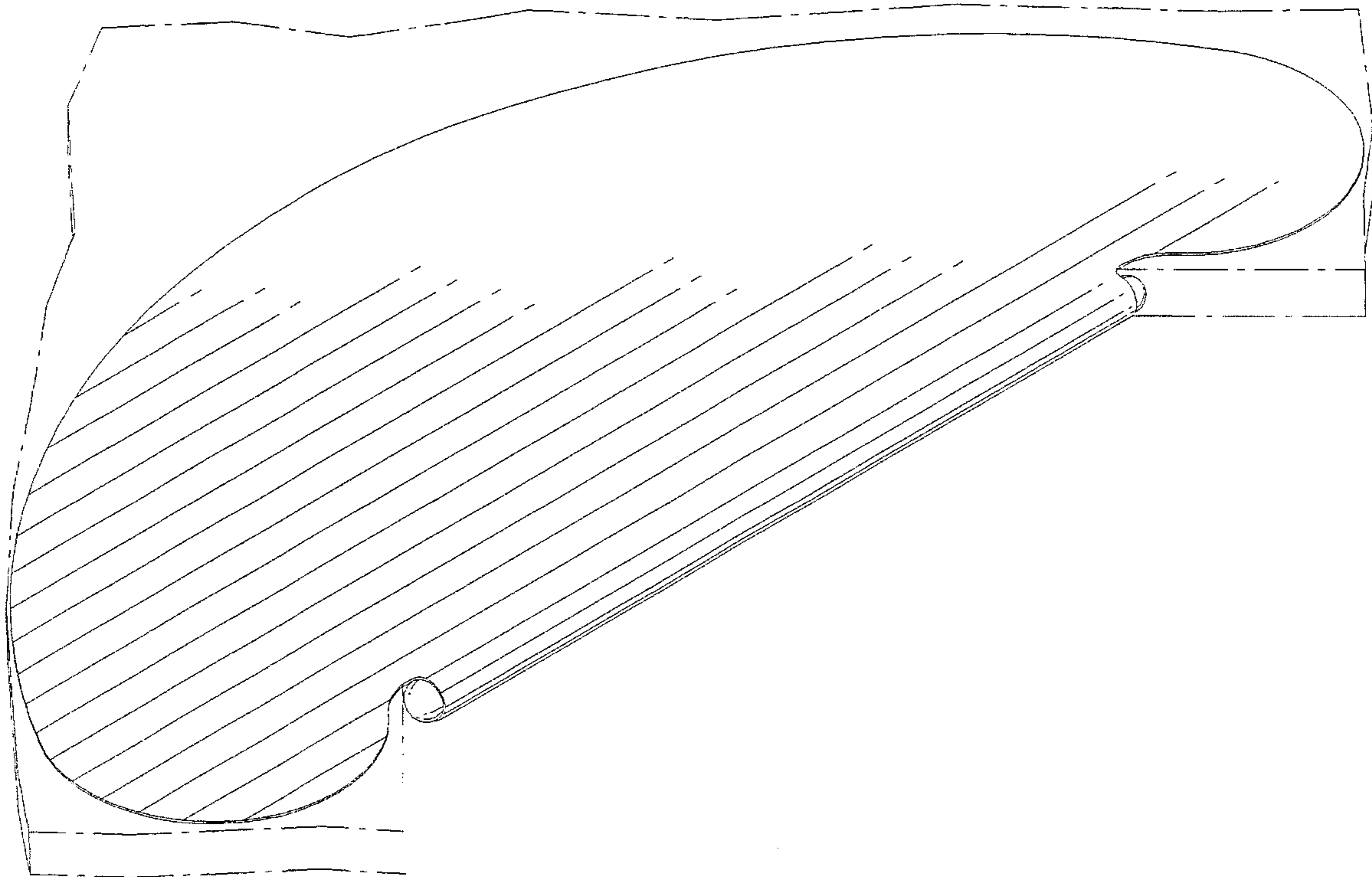




FIG. 1



FIG. 4

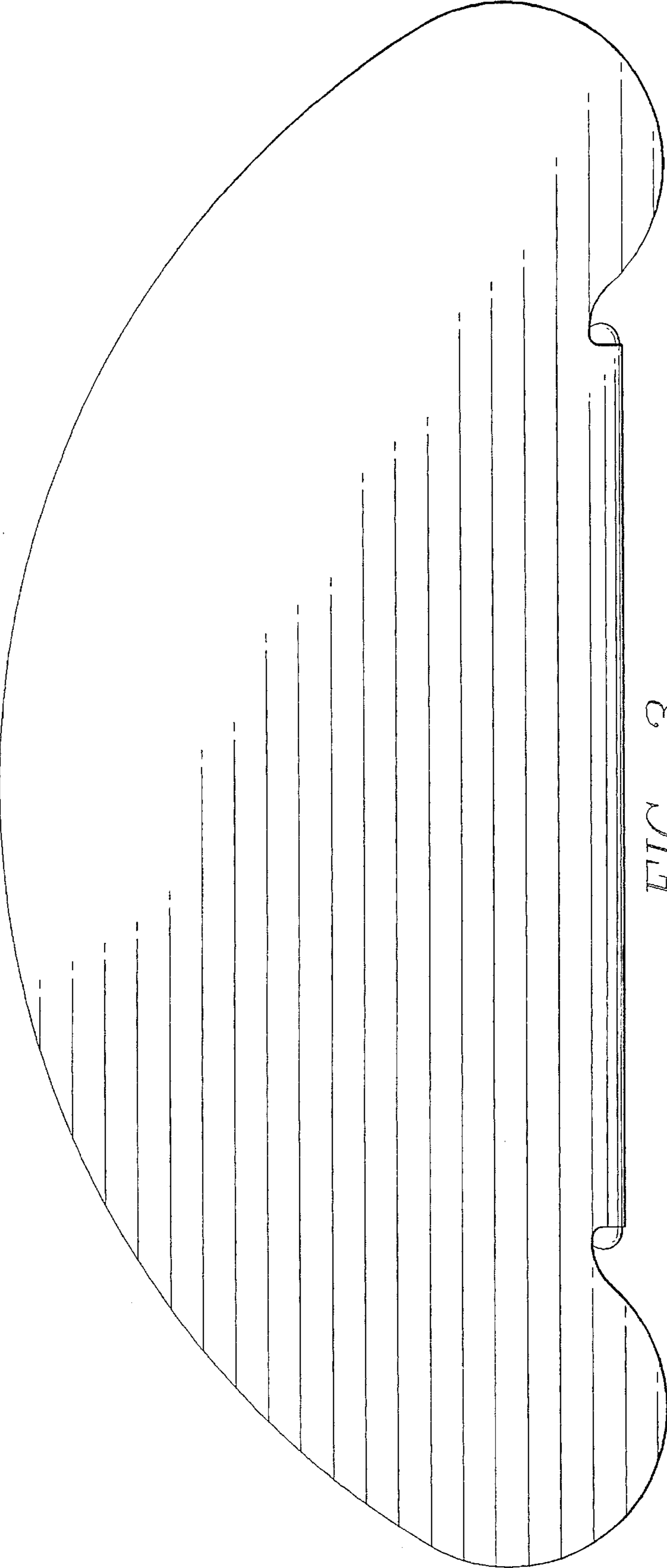


FIG. 3



FIG. 2

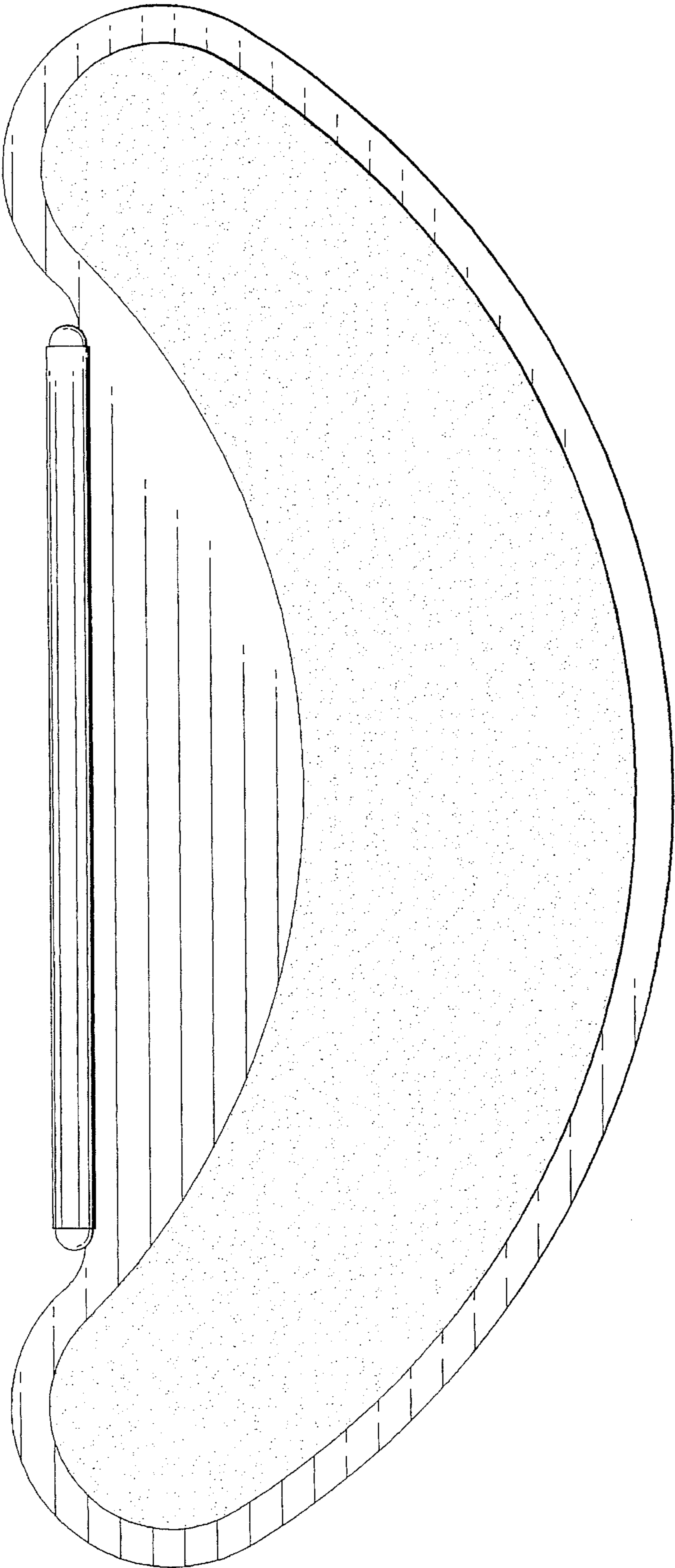


FIG. 5

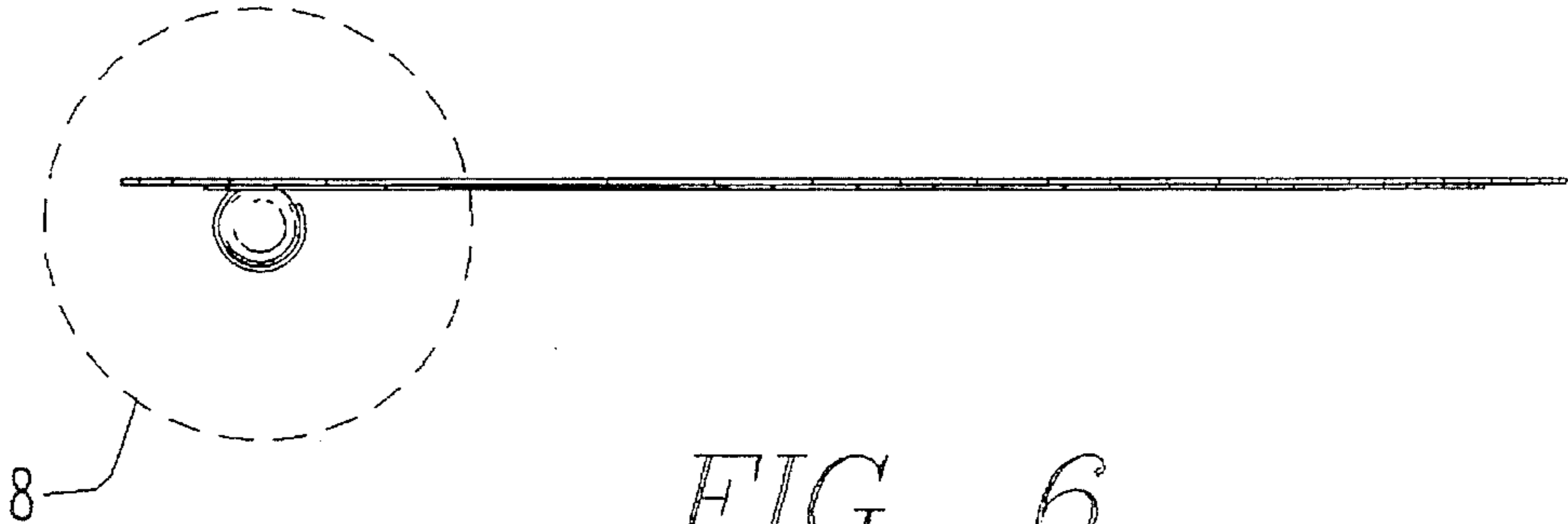


FIG. 6

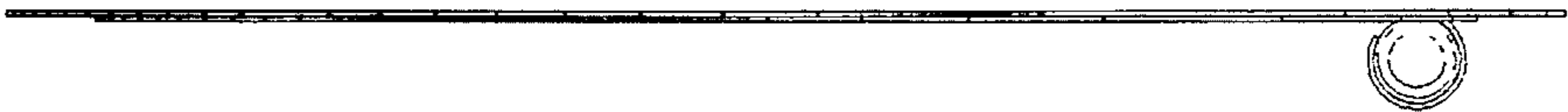


FIG. 7

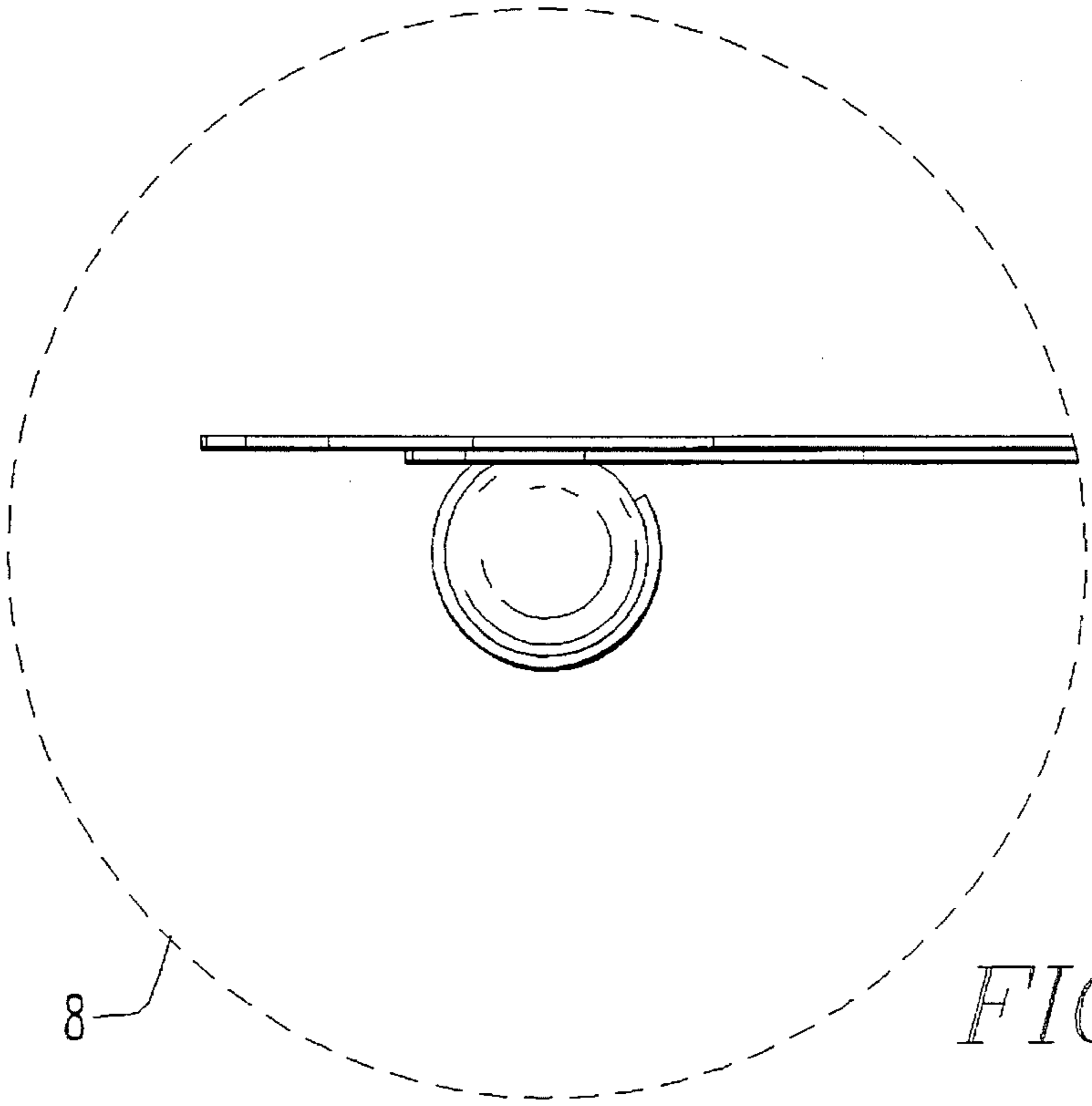


FIG. 8