



US00D362771S

United States Patent [19]

[11] Patent Number: **Des. 362,771**

Gollick

[45] Date of Patent: ****Oct. 3, 1995**

[54] **MODULAR SHELVING INTERCONNECTION ASSEMBLY**

[76] Inventor: **Thomas W. Gollick**, 2017 White Pine La., Boise, Id. 83706

[**] Term: **14 Years**

[21] Appl. No.: **16,441**

[22] Filed: **Dec. 14, 1993**

3,791,707	2/1974	House	312/111
3,811,785	5/1974	Hagglund	403/255
4,153,311	5/1979	Takahashi	312/107
4,169,639	10/1979	Zola	312/265
4,569,496	2/1986	Fleishman	108/153 X
4,765,253	8/1988	Schappach	108/153
5,279,232	1/1994	Gollick	108/153 X

Primary Examiner—Janice E. Seeger
Attorney, Agent, or Firm—Ken J. Pedersen; Barbara S. Pedersen

Related U.S. Application Data

[63] Continuation-in-part of Ser. No. 988,248, Dec. 9, 1992, Pat. No. 5,279,232.

[52] **U.S. Cl.** **D6/491**

[58] **Field of Search** D6/491, 509, 511, D6/474, 477, 478, 479; 108/109, 153, 111; 312/111, 265

[57] CLAIM

The ornamental design for a modular shelving interconnection assembly, as shown and described.

DESCRIPTION

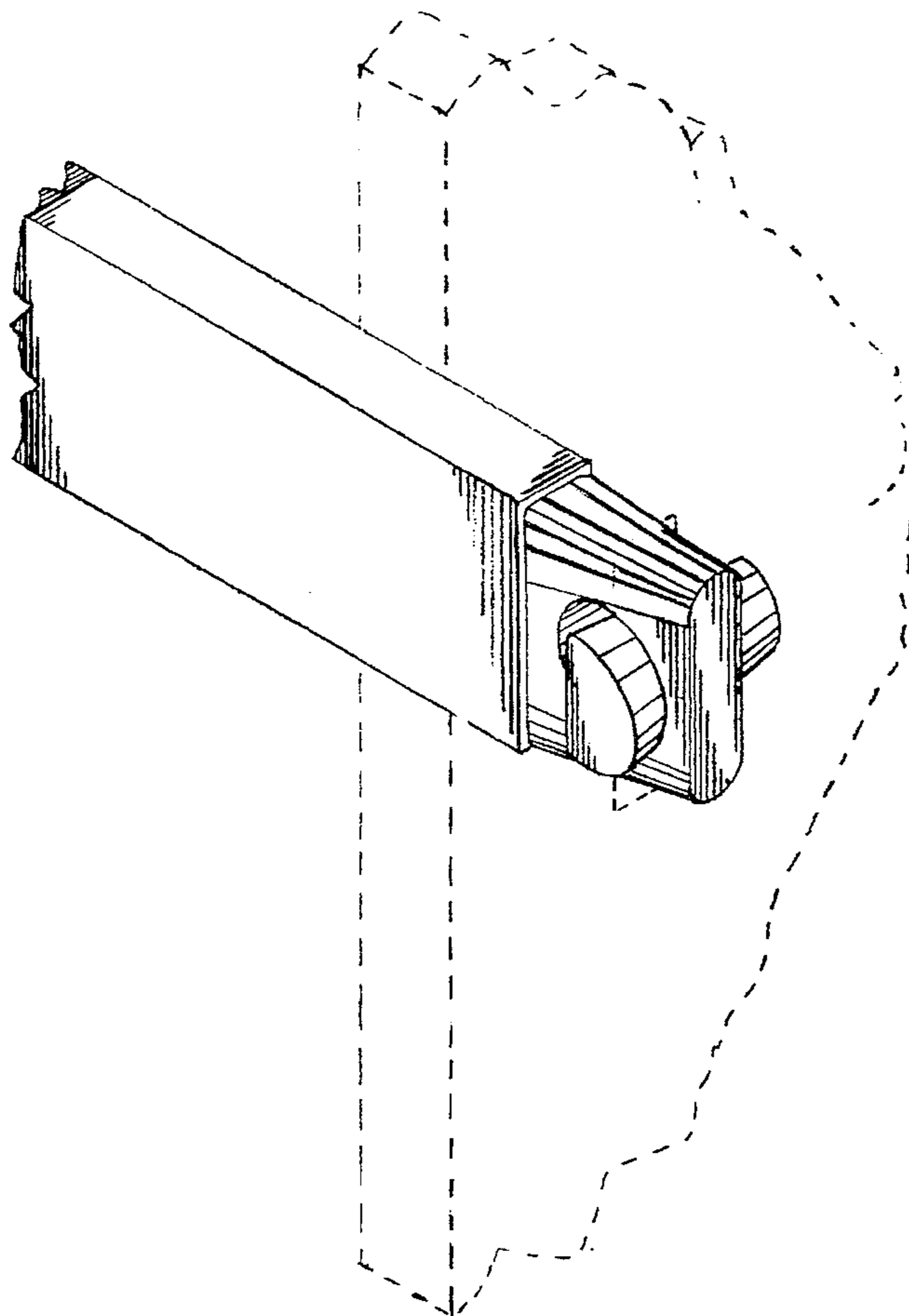
FIG. 1 is an isometric view of a modular shelving interconnection assembly, showing my new design;
FIG. 2 is a left side view of my design as depicted in FIG. 1;
FIG. 3 is a top view of my design as depicted in FIG. 1;
FIG. 4 is a right side view of my design as depicted in FIG. 1; and,
FIG. 5 is front view of my design as depicted in FIG. 1.
The broken lines in all of the Figures are for environmental purposes only and form no part of the claimed design.

[56] References Cited

U.S. PATENT DOCUMENTS

182,669	9/1876	Homes	108/111
500,447	6/1893	Walker	
1,393,679	10/1921	Forster	108/153 X
2,366,676	1/1945	Rosenthal	108/111
2,825,101	3/1958	Rubenstein	108/111 X
3,672,739	6/1972	Taut	312/107

1 Claim, 5 Drawing Sheets



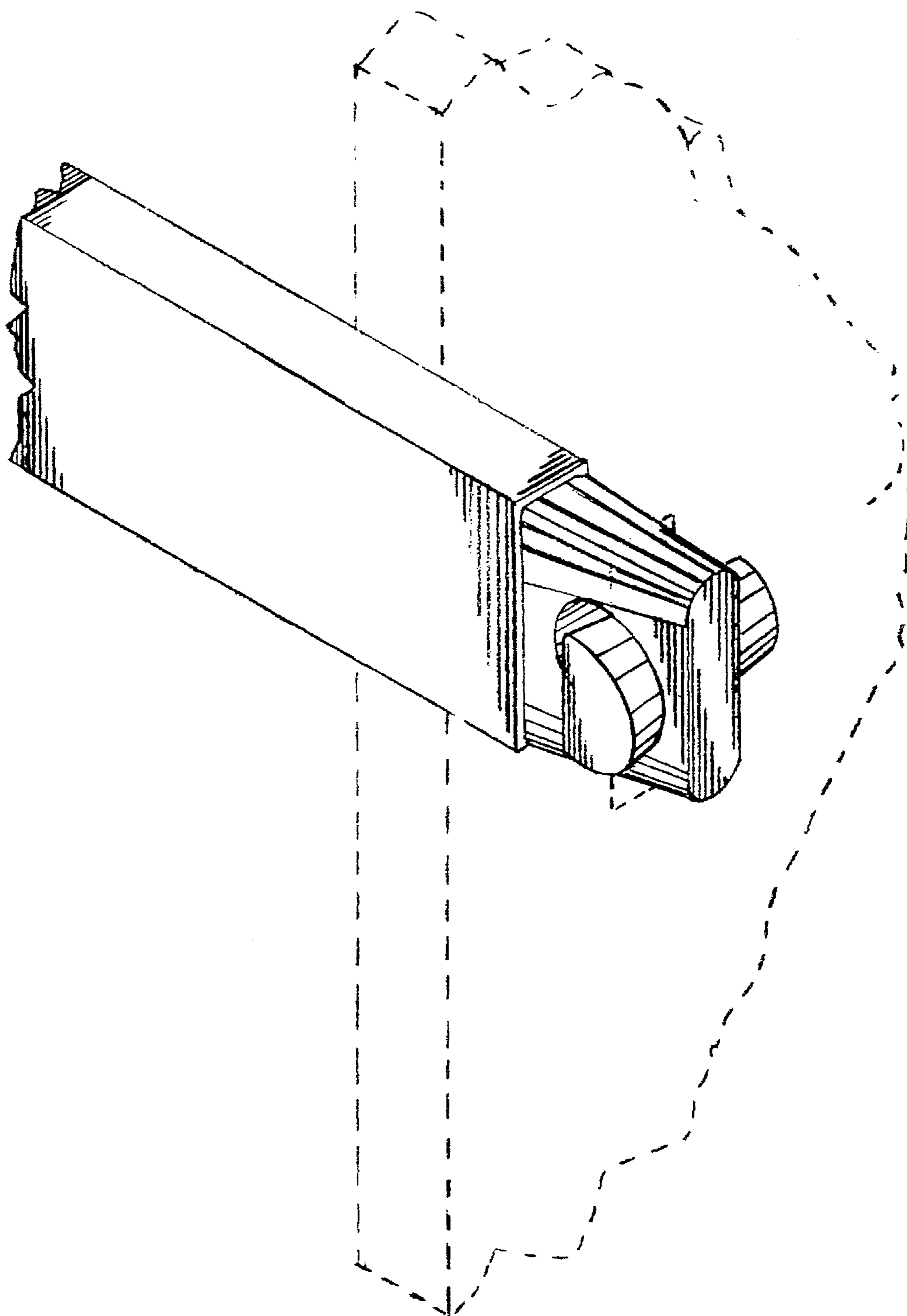


FIG. 1

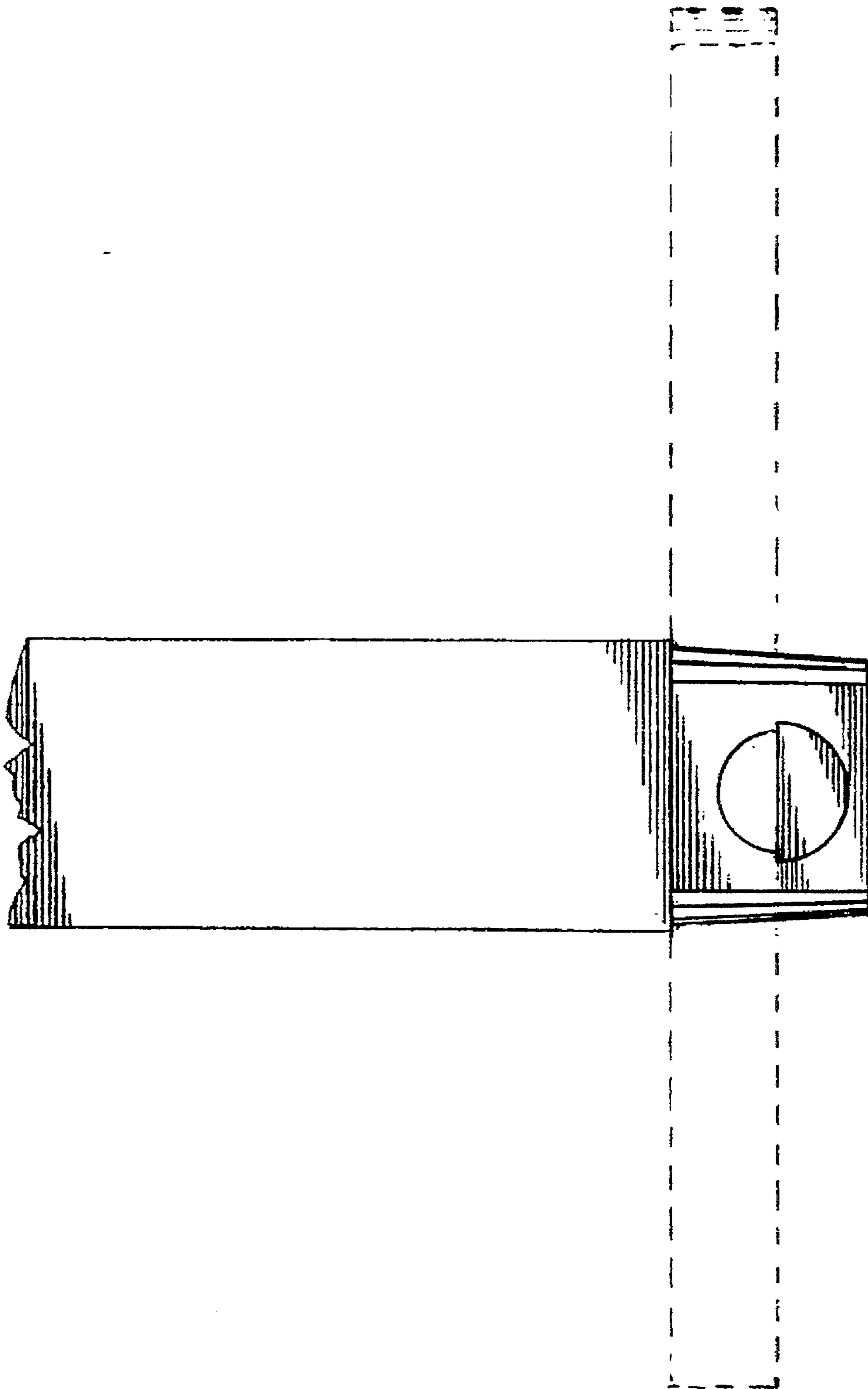


FIG. 2

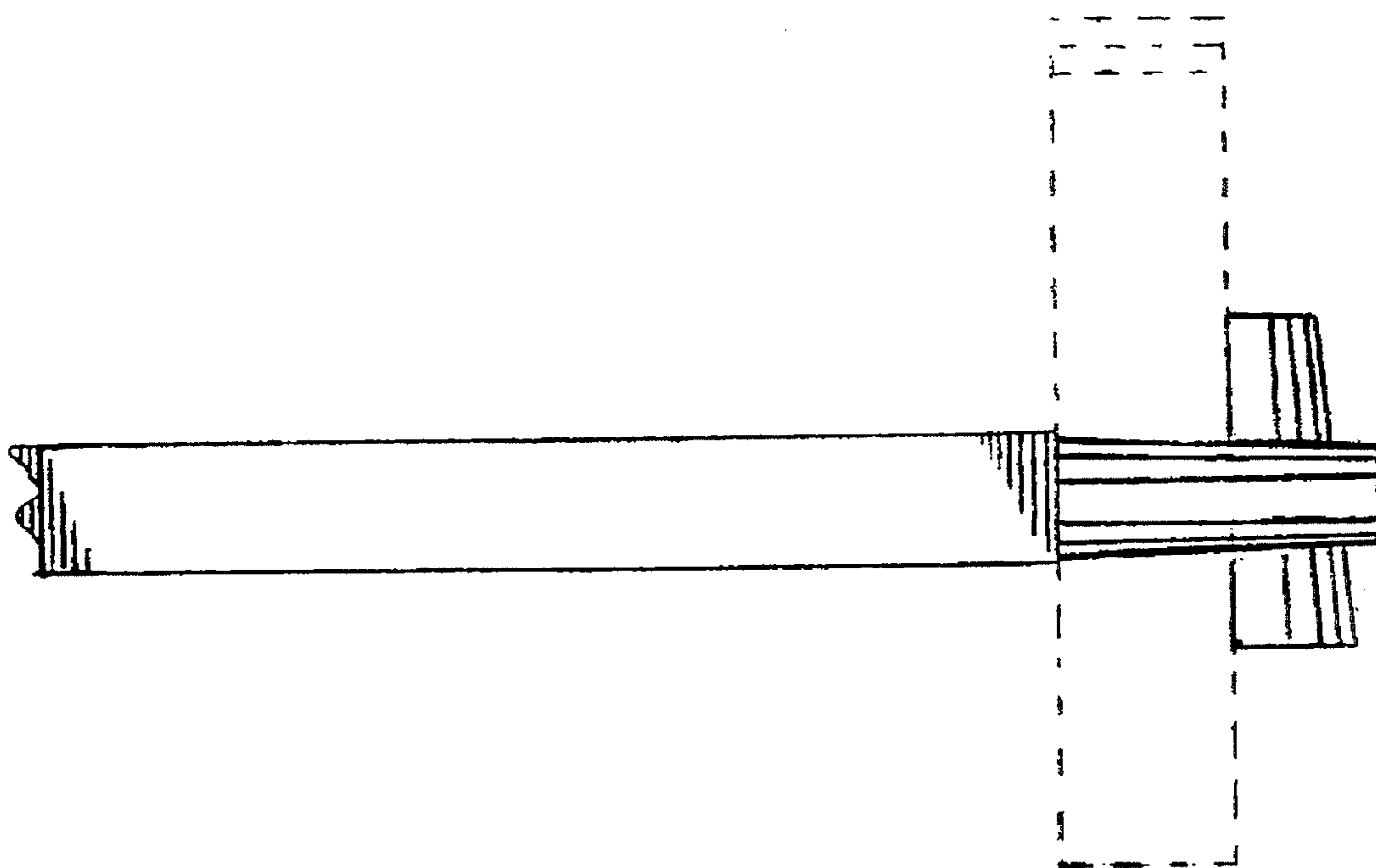


FIG. 3

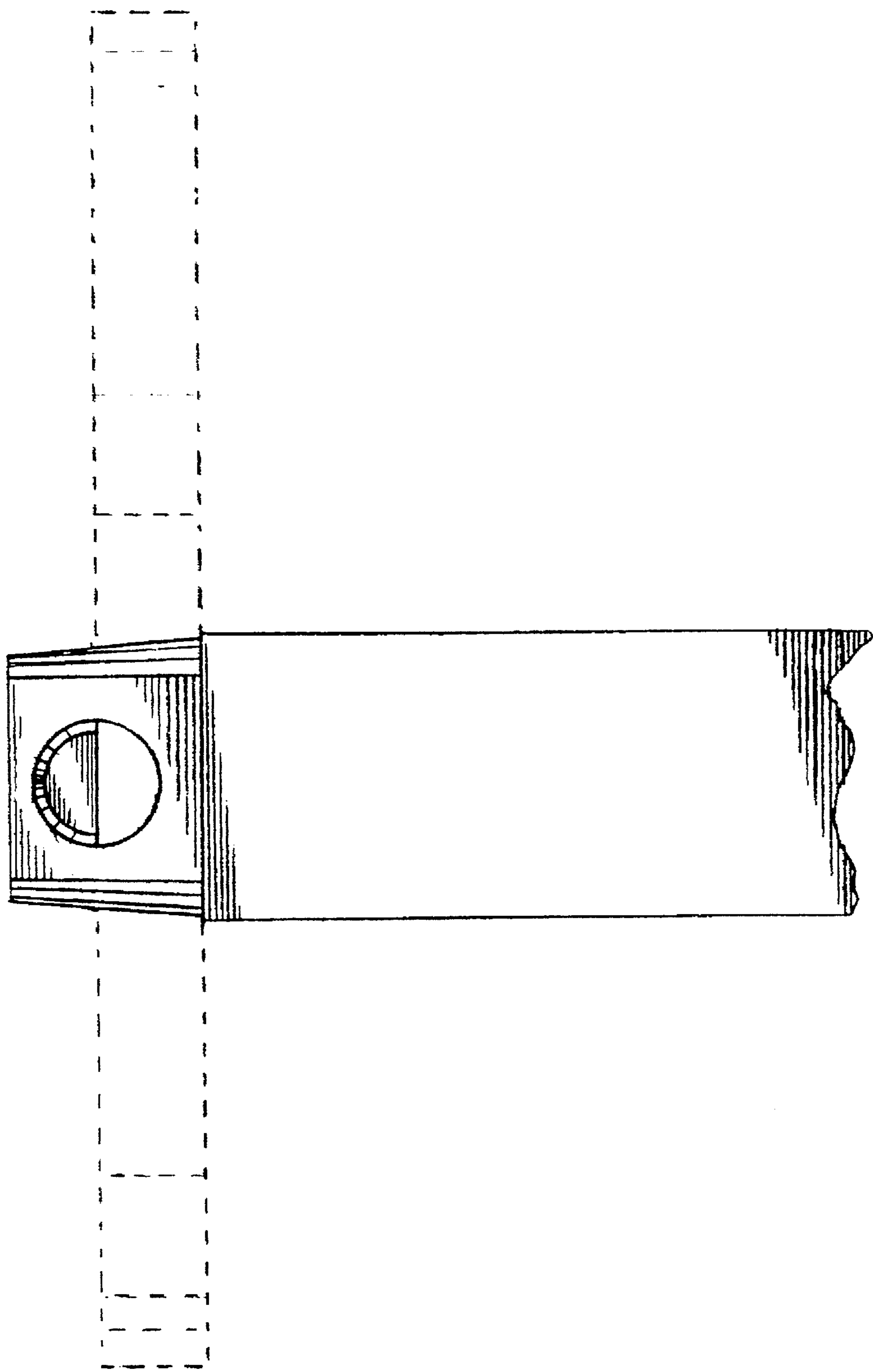


FIG. 4

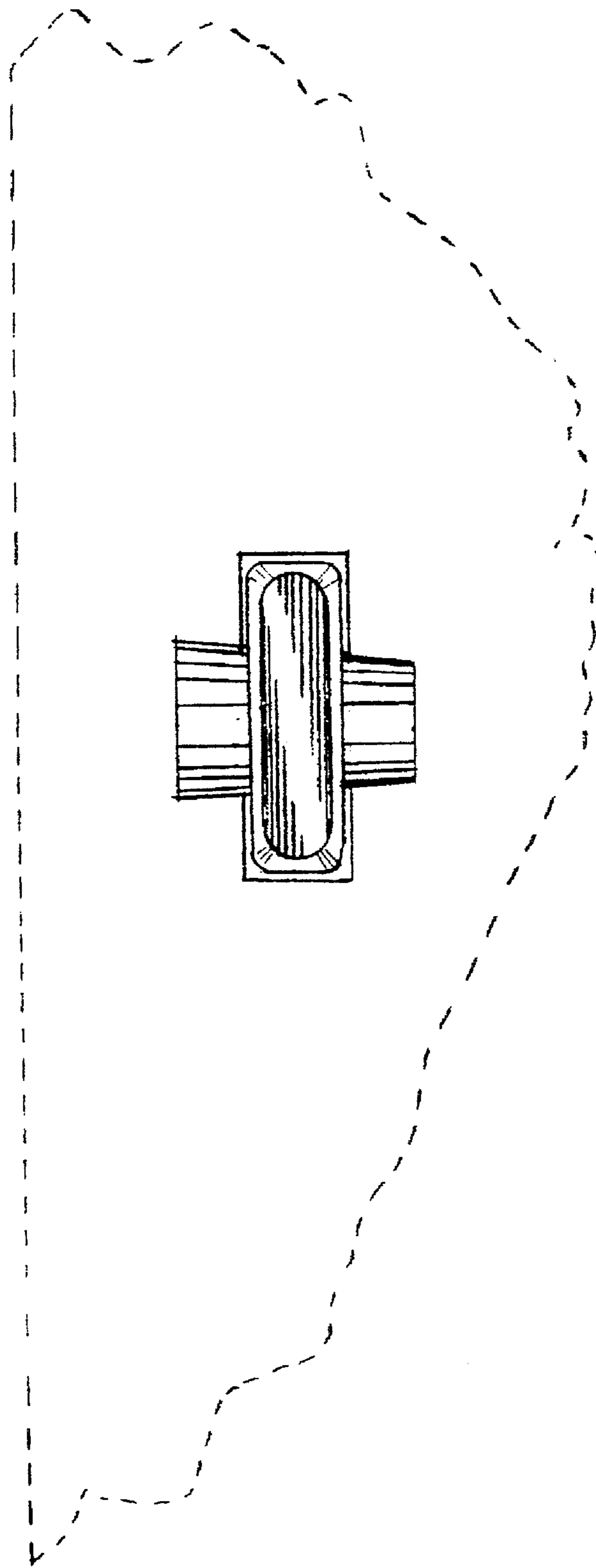


FIG. 5