



US00D362769S

# United States Patent [19]

[11] **Patent Number:** **Des. 362,769**

**Paus**

[45] **Date of Patent:** **\*\*Oct. 3, 1995**

[54] **TABLE**

[75] Inventor: **Michael J. Paus**, High Point, N.C.

[73] Assignee: **Universal Furniture Industries, Inc.**,  
High Point, N.C.

[\*\*] Term: **14 Years**

[21] Appl. No.: **20,406**

[22] Filed: **Mar. 24, 1994**

[52] U.S. Cl. .... **D6/477; D6/509**

[58] **Field of Search** ..... **D6/396, 405, 407,**  
**D6/628, 449, 451, 477-479, 480, 484,**  
**485, 490, 461, 511; 108/59, 161**

[56] **References Cited**

**U.S. PATENT DOCUMENTS**

D. 254,164	2/1980	Gibson	.....	D6/477
D. 255,519	6/1980	Friedman	.....	D6/477
3,688,707	9/1972	White	.....	108/161 X

**OTHER PUBLICATIONS**

Evans Catalog, p. 245, 1988/1989, Item 6.  
Ethan Allen Catalog, 1992, p. 137, Item 6.  
Drexel Catalog, 1977, p. 40, Item No. 582-821.

*Primary Examiner*—Alan P. Douglas  
*Assistant Examiner*—Cathron B. Matta  
*Attorney, Agent, or Firm*—Edgar A. Zarins; Malcolm L. Sutherland

[57] **CLAIM**

The ornamental design for a table, as shown and described.

**DESCRIPTION**

FIG. 1 is a perspective view of a table showing my new design;

FIG. 2 is a top plan view thereof;

FIG. 3 is a side view thereof, the opposite side being a mirror image of the side shown;

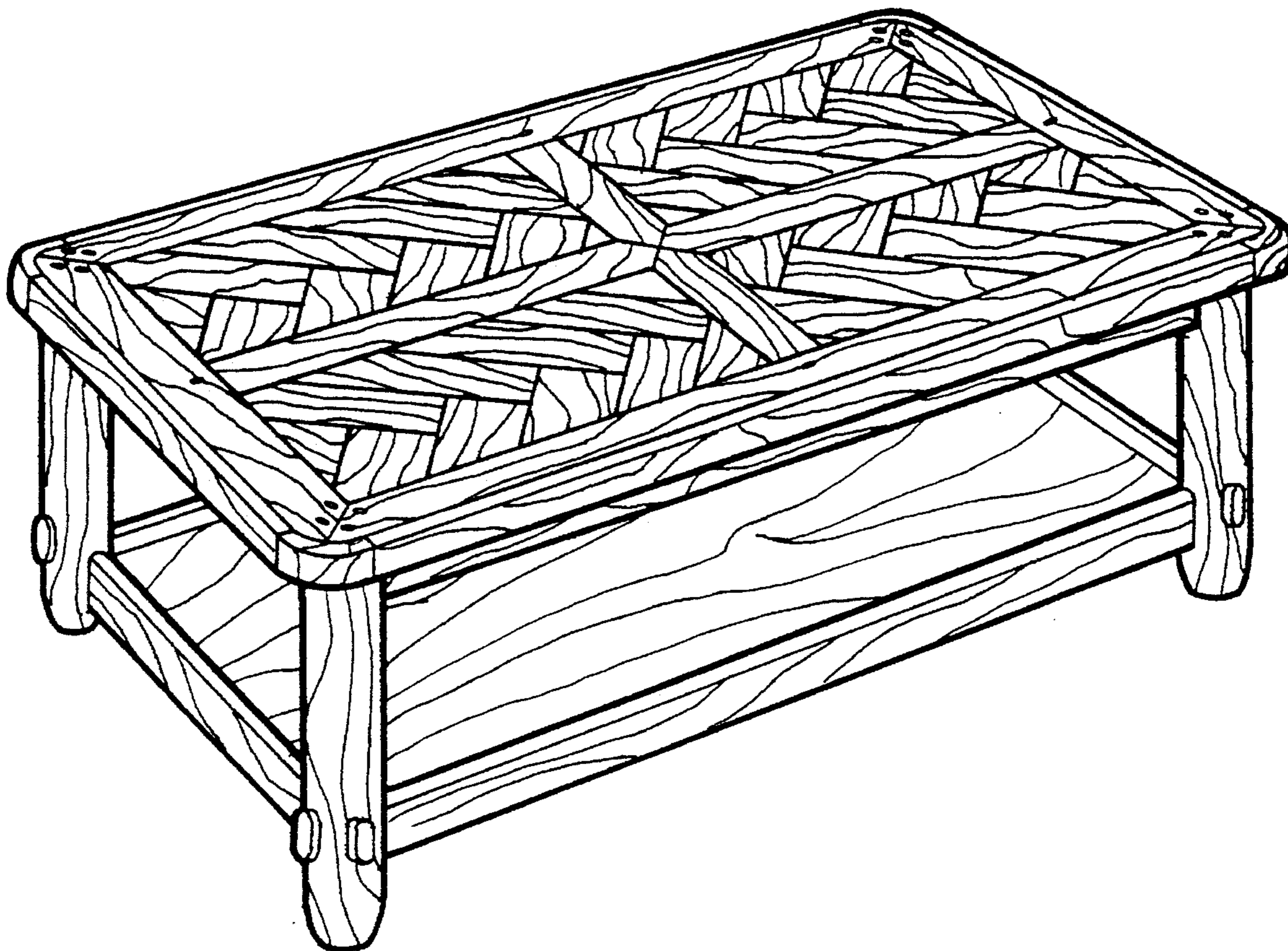
FIG. 4 is an end view thereof, the opposite end being a mirror image of the end shown;

FIG. 5 is a perspective view of a second embodiment thereof;

FIG. 6 is a perspective view of a third embodiment thereof; and,

FIG. 7 is a perspective view of a fourth embodiment thereof.

**1 Claim, 3 Drawing Sheets**



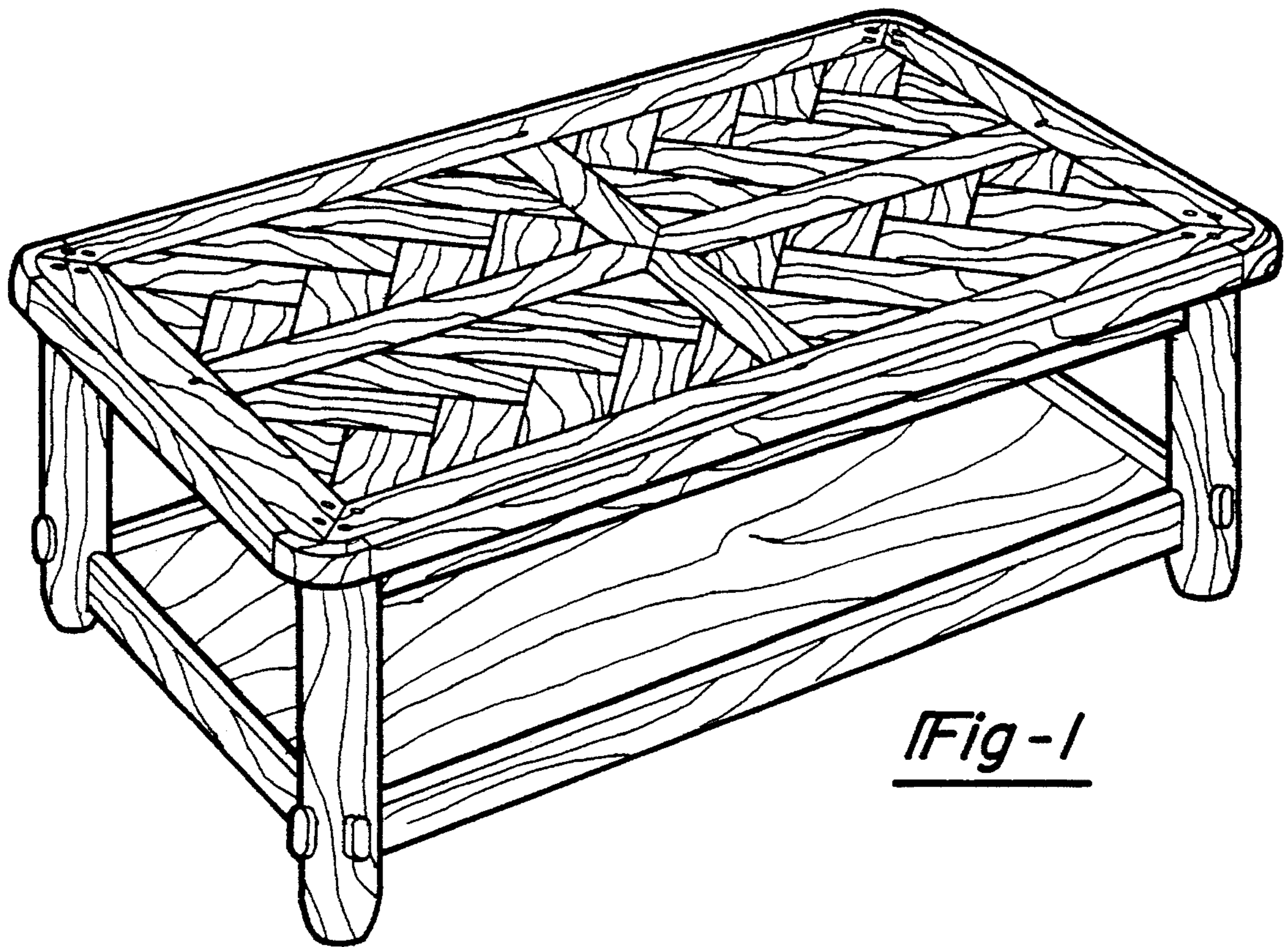
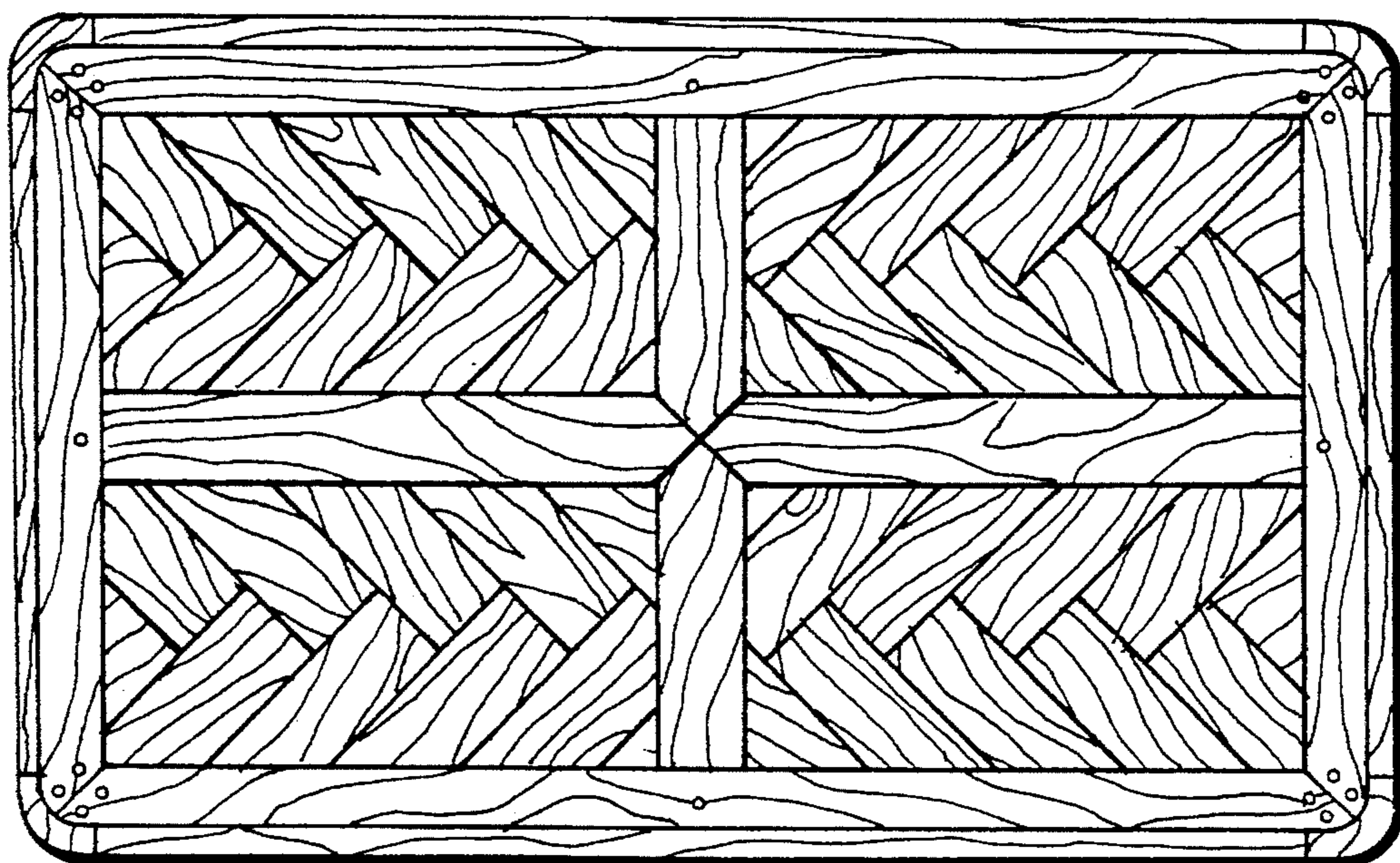


Fig-1

Fig-2



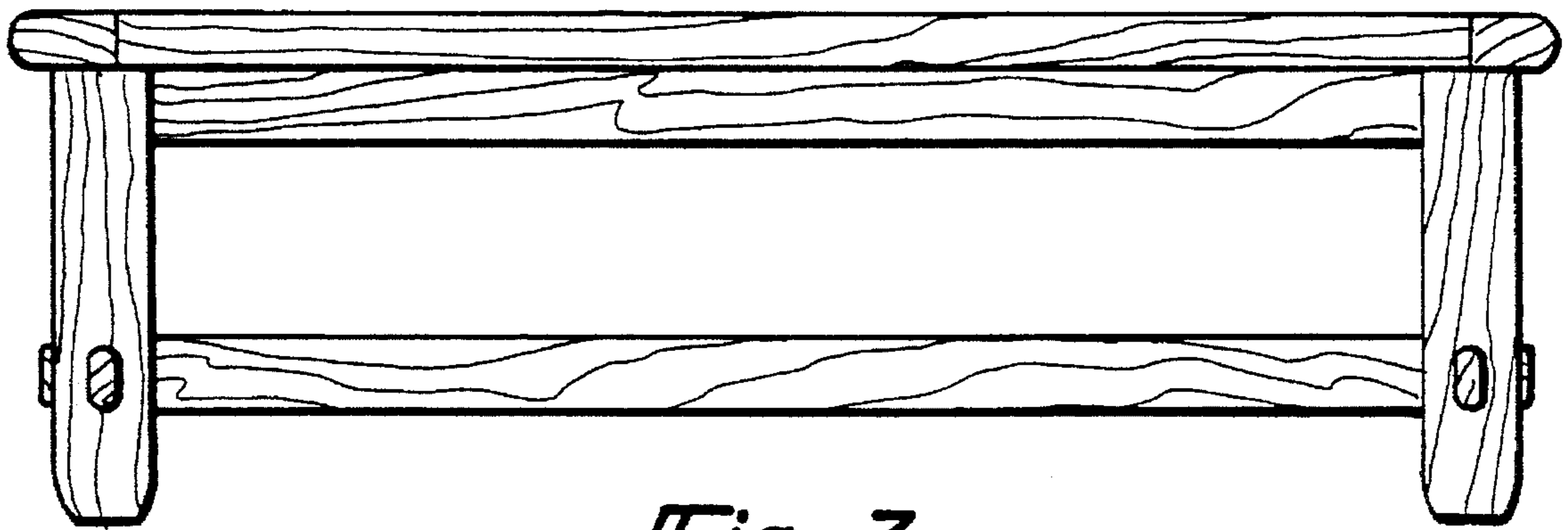


Fig-3

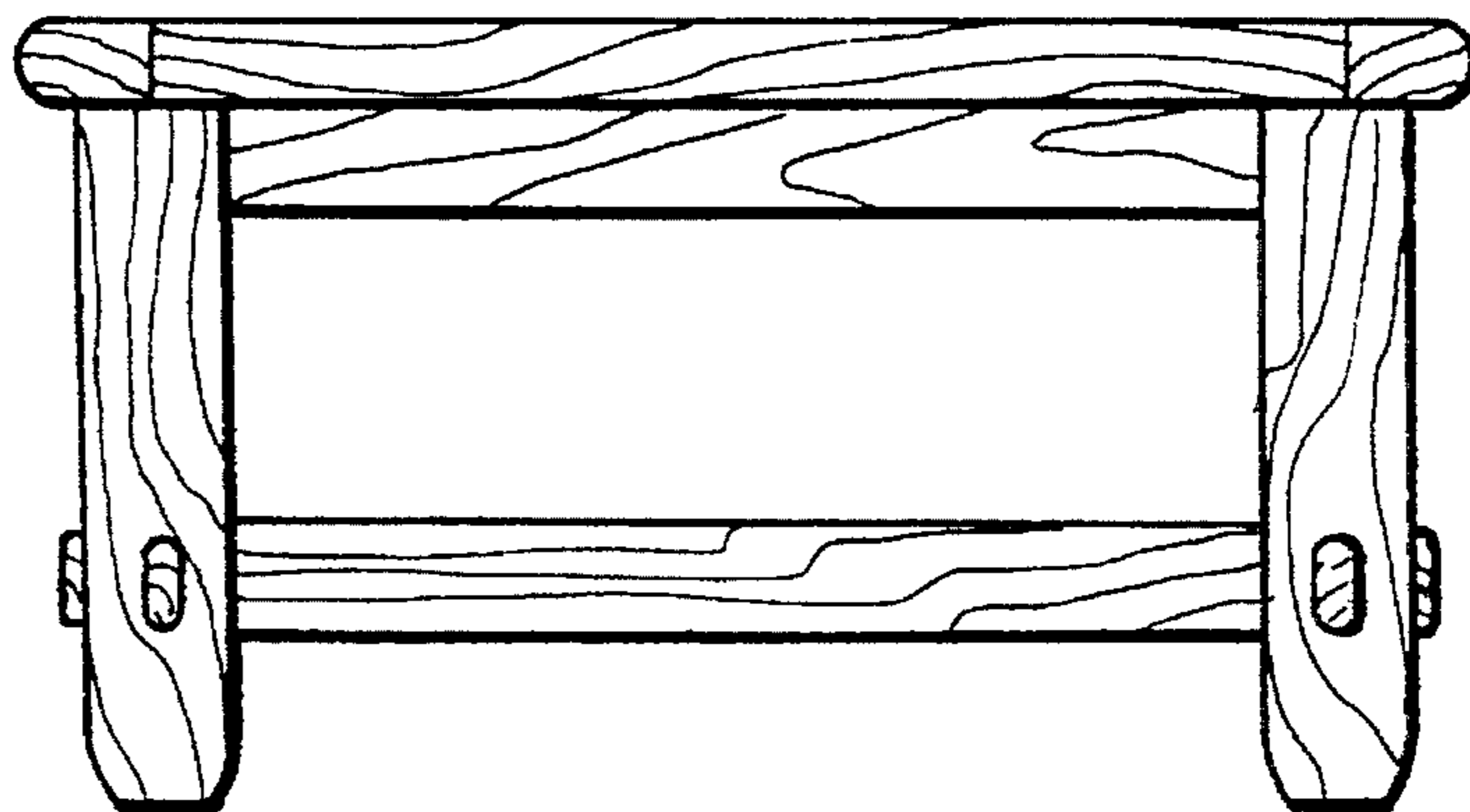


Fig-4



Fig-5

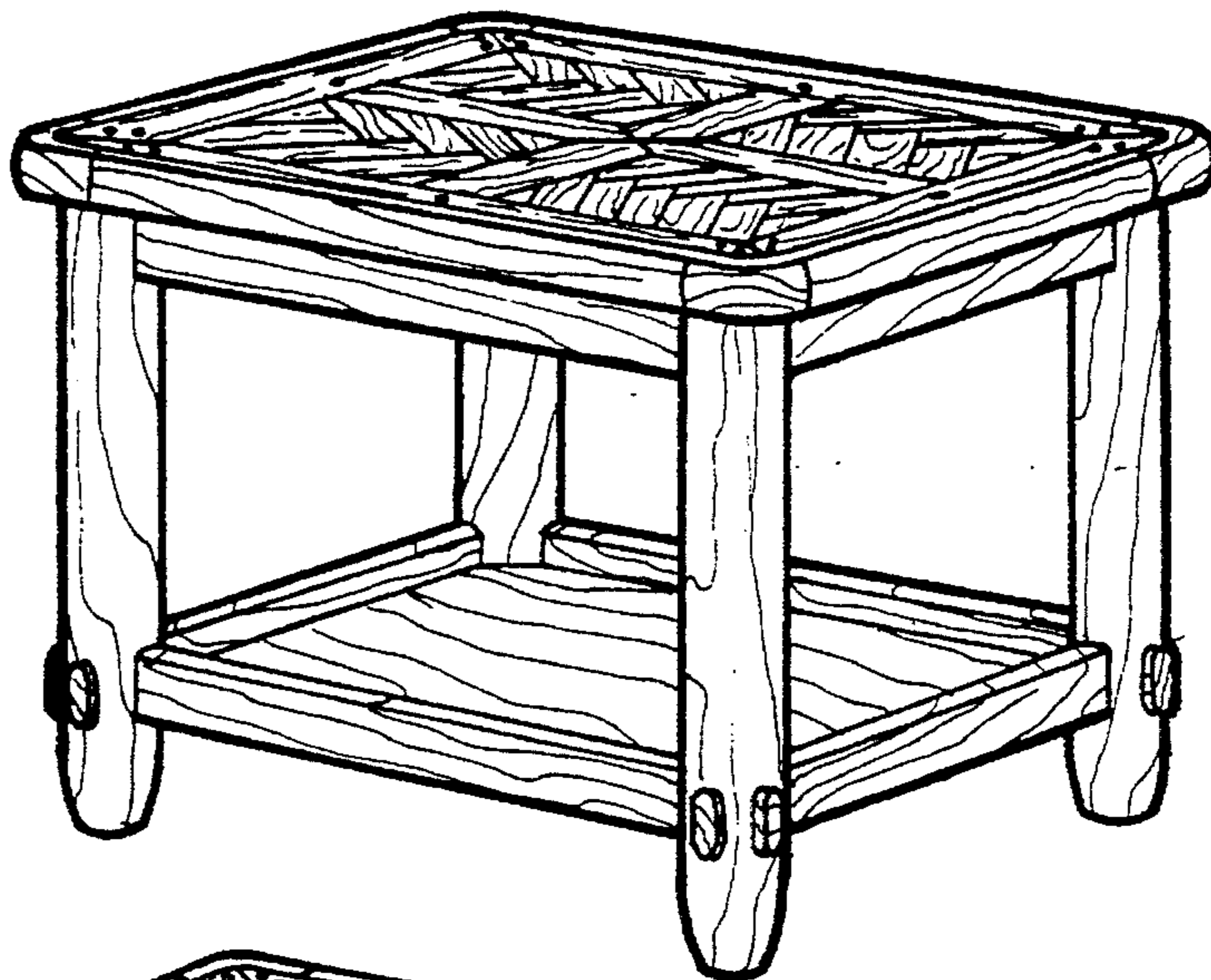


Fig-6

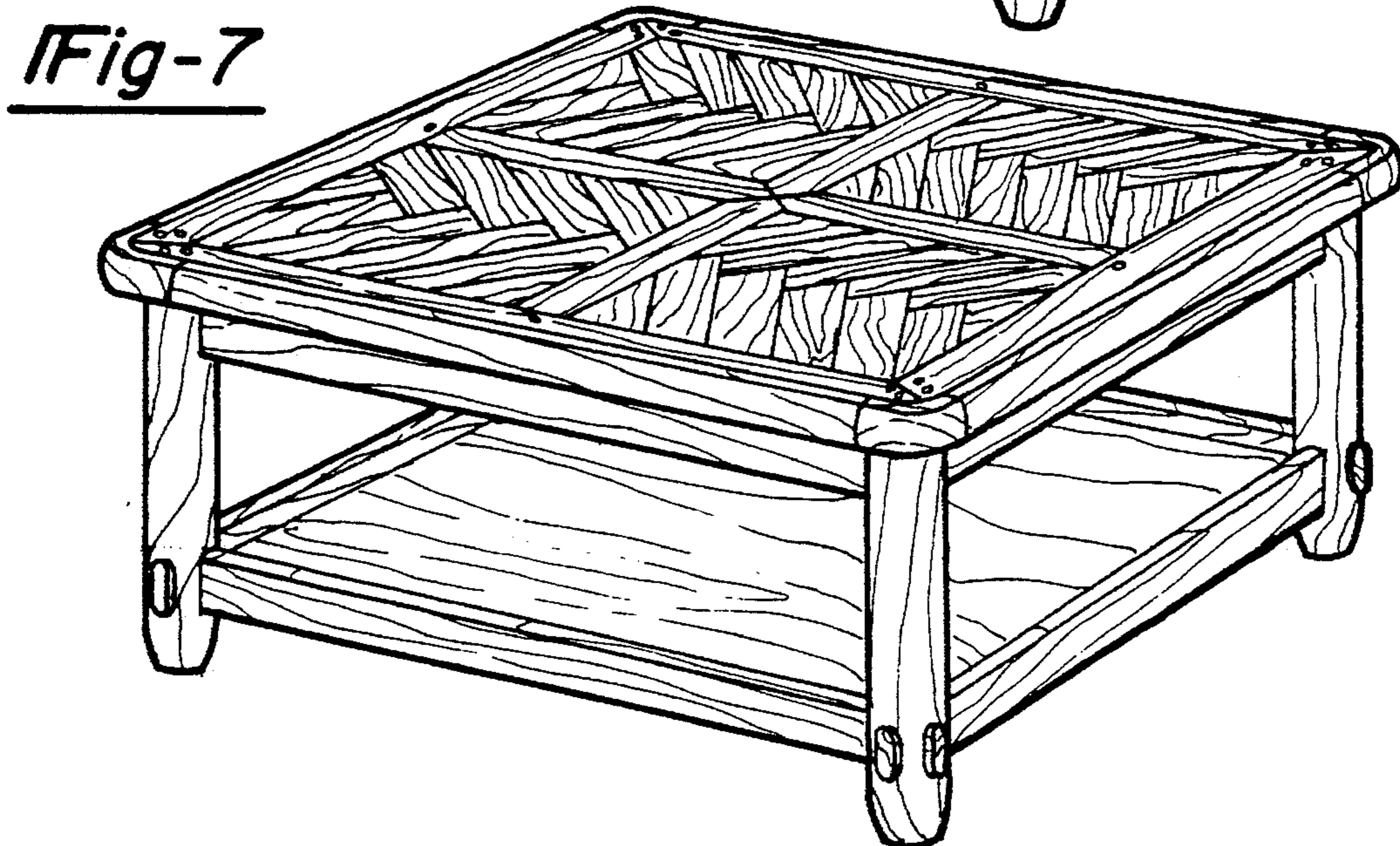


Fig-7