



US00D362767S

United States Patent [19]

[11] Patent Number: **Des. 362,767**

Kelly et al.

[45] Date of Patent: ****Oct. 3, 1995**

[54] **LOCKER**

Assistant Examiner—S. Snapp
Attorney, Agent, or Firm—Paul M. Denk

[75] Inventors: **Ray G. Kelly; Sharon A. Turnbough**,
both of St. Louis, Mo.; **Allan Flowers**,
San Diego, Calif.

[57] **CLAIM**

[73] Assignee: **Angeles Group Inc.**, Pacific, Mo.

The ornamental design for the locker, as shown and described.

[**] Term: **14 Years**

DESCRIPTION

[21] Appl. No.: **20,070**

FIG. 1 provides an isometric view of the locker of this invention;

[22] Filed: **Mar. 18, 1994**

[52] U.S. Cl. **D6/474**

FIG. 2 is a left side view, the right side being a mirror image thereof;

[58] **Field of Search** D6/396, 399, 429,
D6/421, 449, 450, 451, 466-469, 473-476;
D19/90; D3/254

FIG. 3 is a top view;

[56] **References Cited**

U.S. PATENT DOCUMENTS

FIG. 4 is a front view;

D. 313,520 1/1991 Block D19/90 X

FIG. 5 is a rear view; and,

OTHER PUBLICATIONS

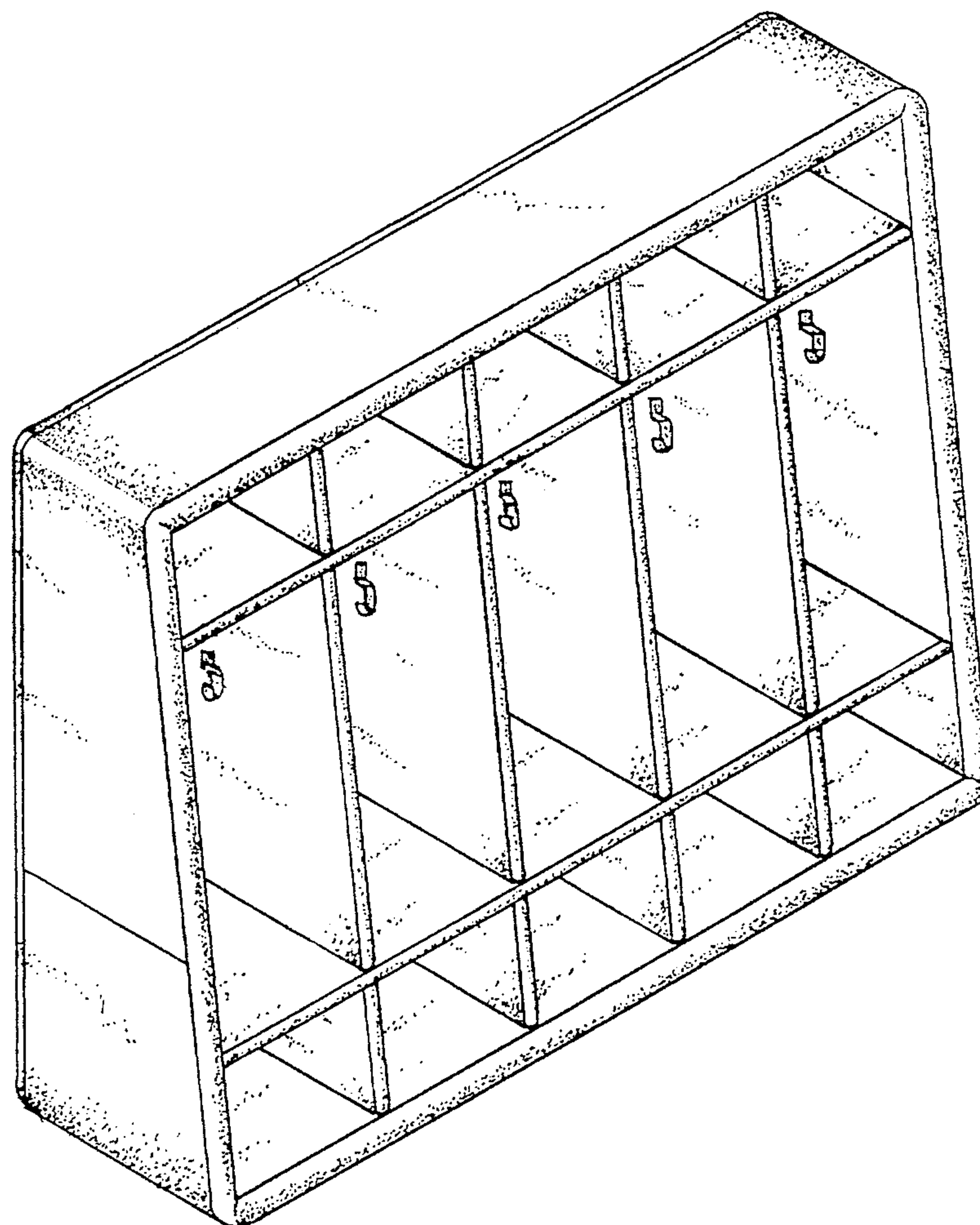
FIG. 6 is a bottom view of the invention.

Plan Hold Corp. Ad., Jan. 1965.

Lit-Ning Products Corp., p. 20—Storage Racks.

Primary Examiner—Alan P. Douglas

1 Claim, 2 Drawing Sheets



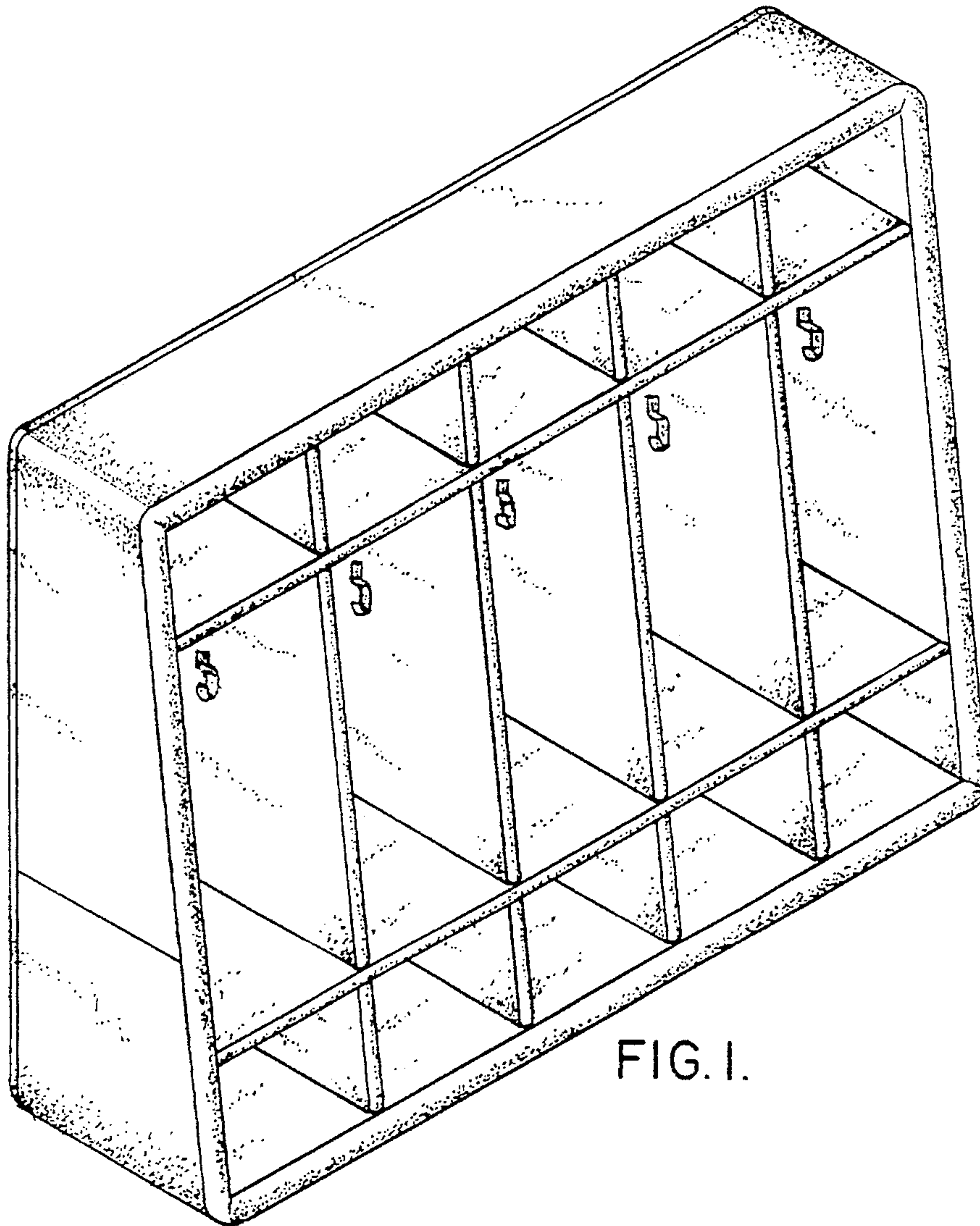


FIG. 1.

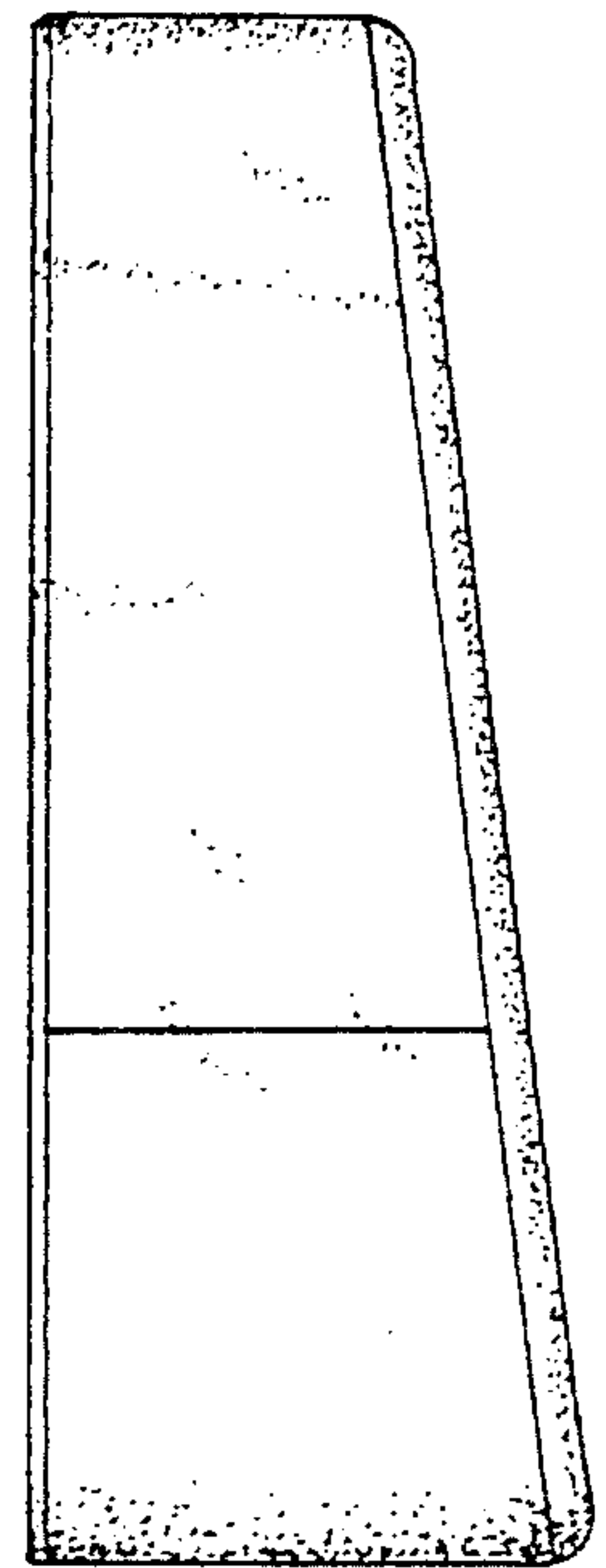


FIG. 2

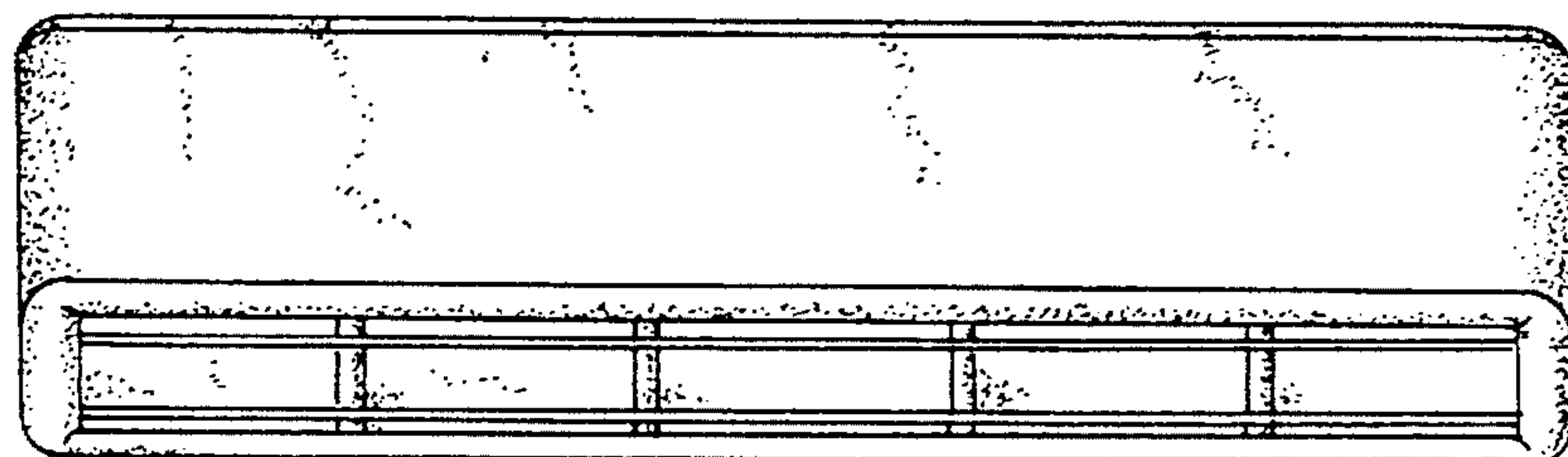


FIG. 3.

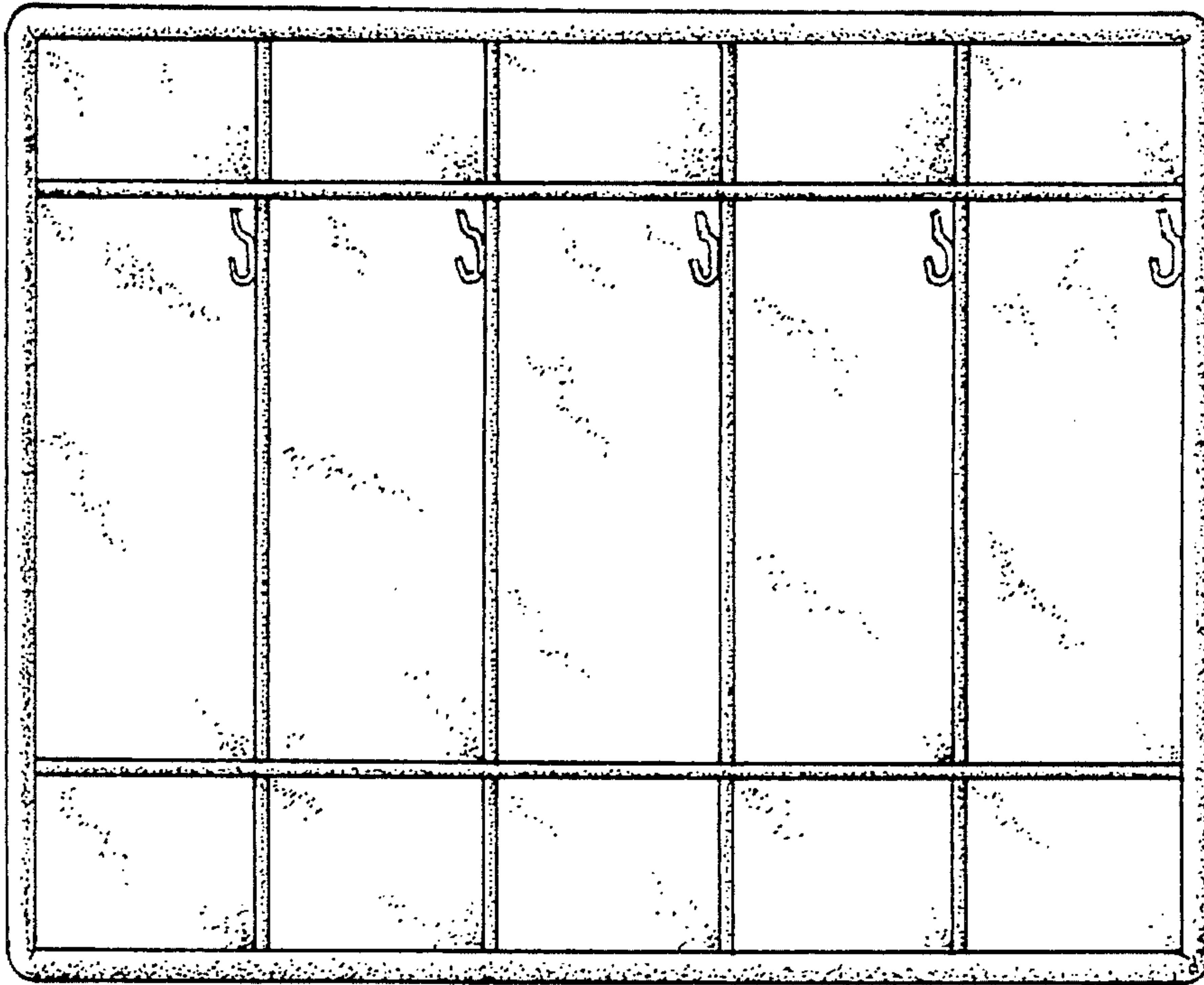


FIG. 4

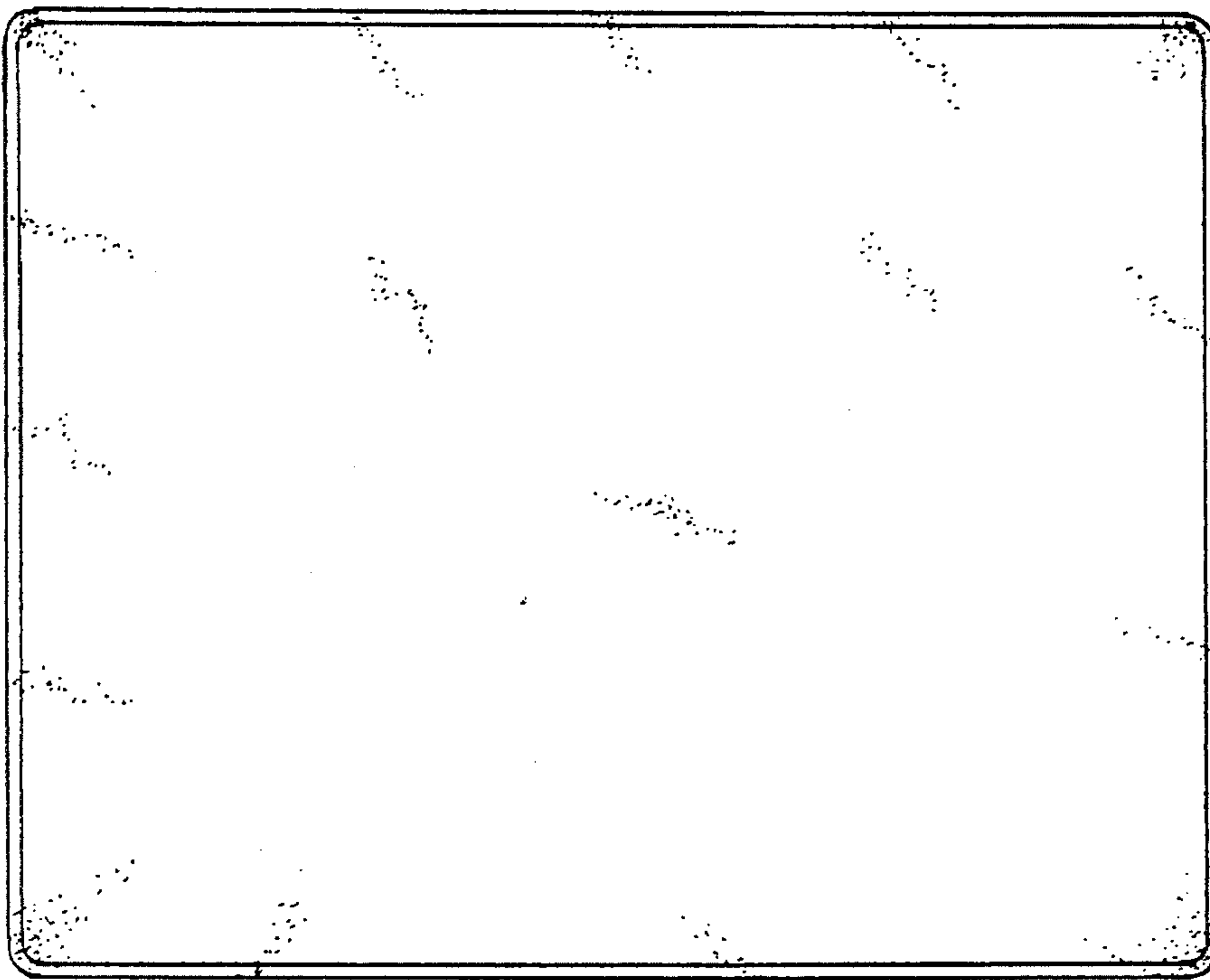


FIG. 5



FIG. 6