



US00D362766S

# United States Patent [19]

[11] **Patent Number:** **Des. 362,766**

**Elhage**

[45] **Date of Patent:** **\*\*Oct. 3, 1995**

[54] **DISPLAY CASE**

D. 275,916 10/1984 Brandel ..... D6/436  
D. 351,518 10/1994 Burgess ..... D6/470

[76] Inventor: **Jim Elhage**, 80 Speers Rd. Unit #308,  
Oakville, Ontario L6K 2E6, Canada

*Primary Examiner*—Alan P. Douglas  
*Assistant Examiner*—S. Snapp  
*Attorney, Agent, or Firm*—Rogers & Scott

[\*\*] Term: **14 Years**

[21] Appl. No.: **31,564**

[57] **CLAIM**

[22] Filed: **Nov. 21, 1994**

The ornamental design for a display case, as shown.

[30] **Foreign Application Priority Data**

**DESCRIPTION**

Sep. 12, 1994 [CA] Canada ..... 1994-1775

[52] **U.S. Cl.** ..... **D6/470**

[58] **Field of Search** ..... D6/470, 471, 472,  
D6/474, 441, 432, 436, 443; D7/323, 337,  
339, 350; 312/114, 116

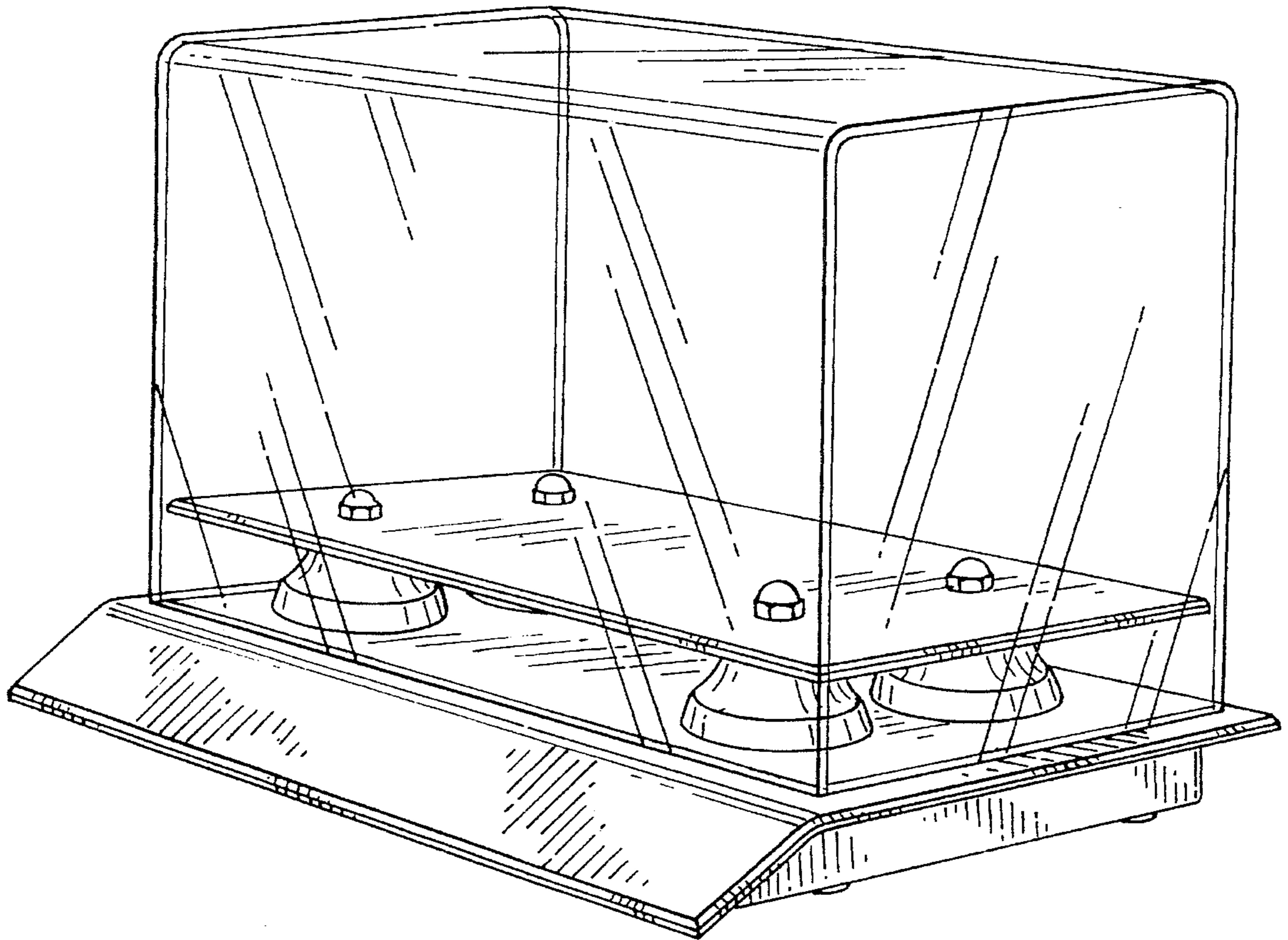
FIG. 1 is a front perspective view of the display case;  
FIG. 2 is a rear perspective view thereof; and,  
FIG. 3 is a side view thereof.

[56] **References Cited**

**U.S. PATENT DOCUMENTS**

D. 197,320 1/1964 Cook ..... D6/470

**1 Claim, 3 Drawing Sheets**



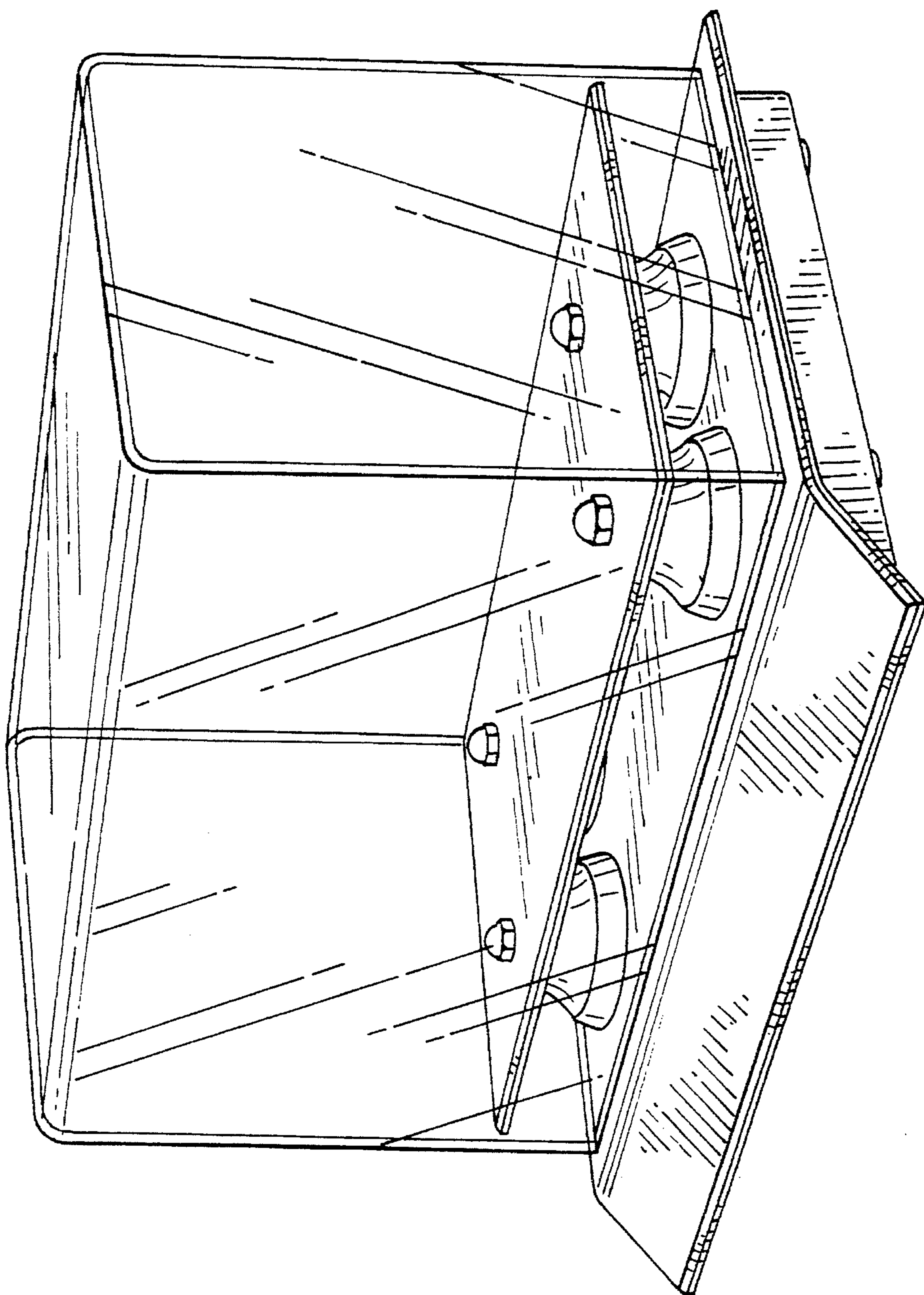


FIG. 1

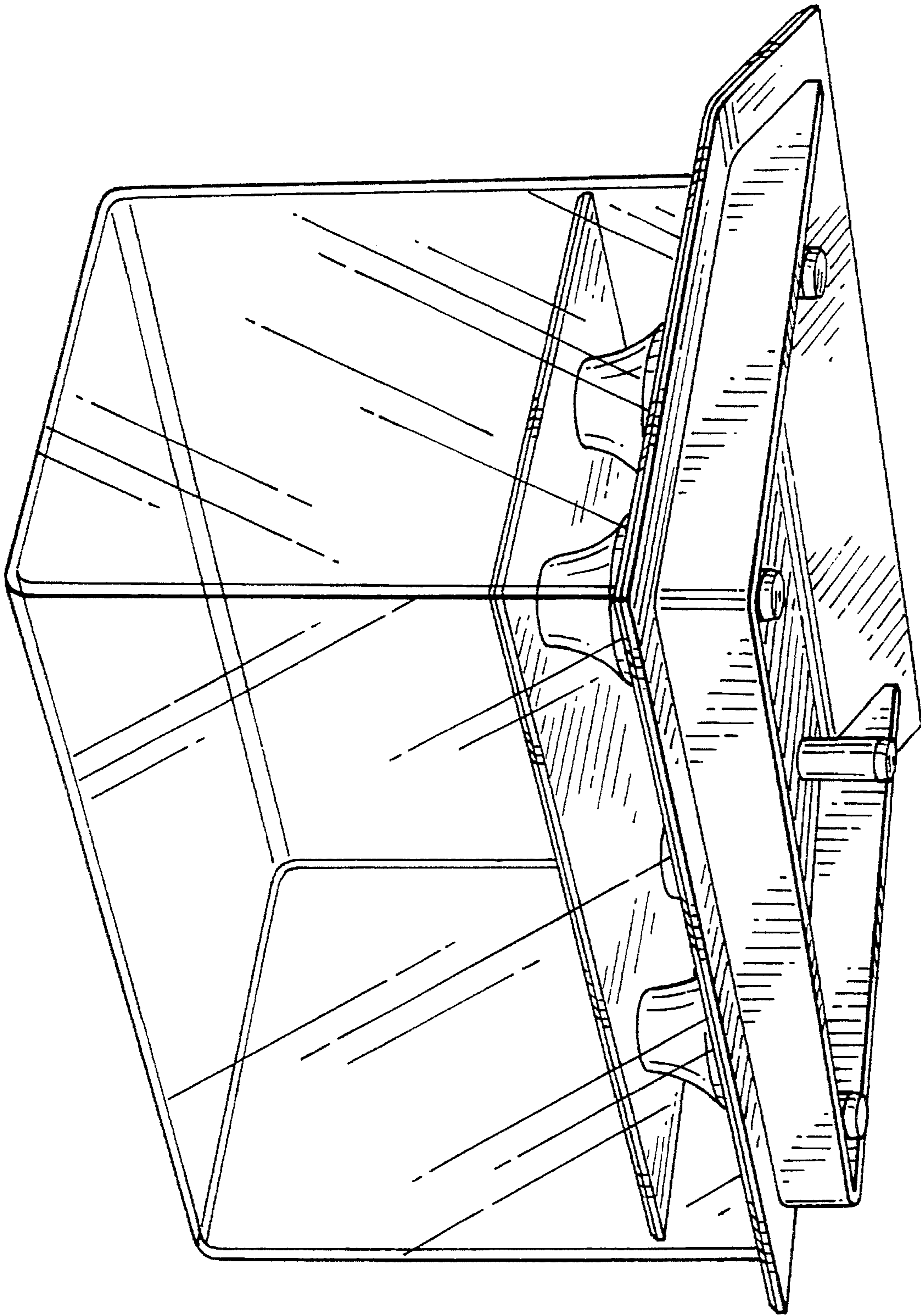


FIG. 2



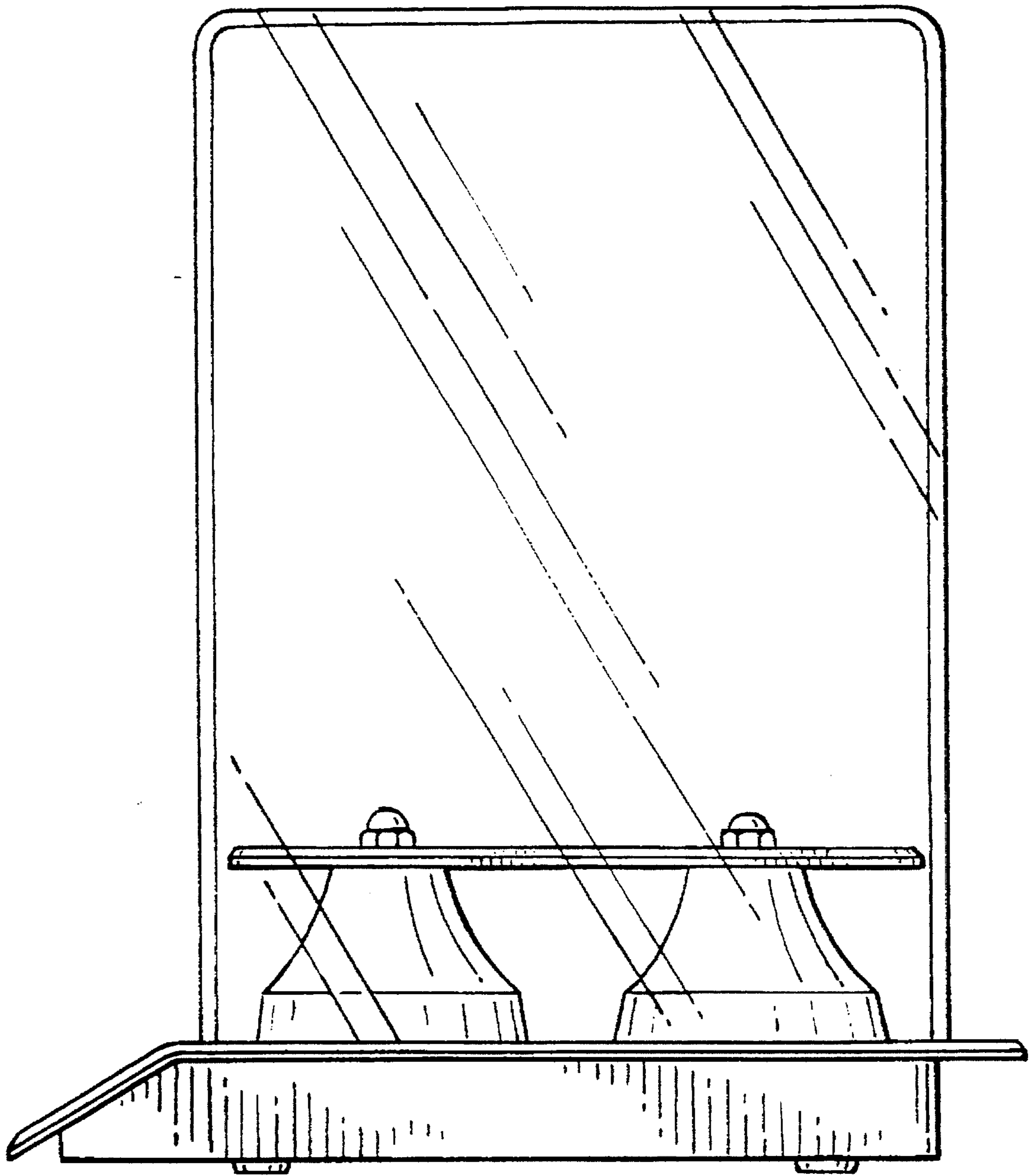


FIG. 3